

## General Description

The 8N3PG10MBKI-062 is a very versatile programmable LVPECL synthesizer that can be used for OTN/SONET to Ethernet or 10 GB Ethernet to OTN/SONET rate conversions. The conversion rate is pin-selectable and one of the four rates is supported at a time. In the default configuration, an input clock of 100MHz is converted to 311.04MHz output.

The device uses IDT's fourth generation FemtoClock NG technology to deliver low phase noise clocks combined with low power consumption.

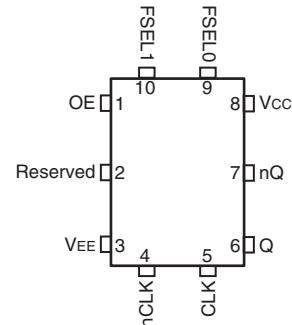
## Features

- Fourth Generation FemtoClock® Next Generation (NG) technology
- Footprint compatible with 5mm x 7mm differential oscillators
- One differential LVPECL output pair
- CLK, nCLK input pair can accept the following levels: HCSL, LVDS, LVPECL and LVHSTL
- Output frequencies: 150MHz, 125MHz, 155.52MHz and 311.04MHz
- RMS phase jitter, 12kHz – 20MHz: 0.295ps (typical) @ 3.3V
- Full 3.3V or 2.5V operating supply
- -40°C to 85°C ambient operating temperature
- Lead-free (RoHS 6) packaging

Table 1. Frequency Select Table

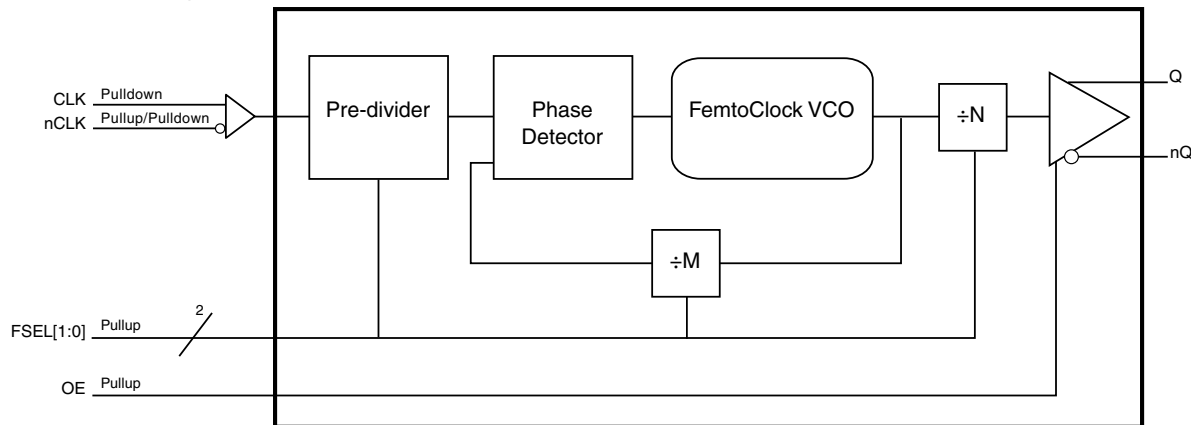
| FSEL[1:0] | Input (MHz) | Output Frequency (MHz) |
|-----------|-------------|------------------------|
| 00        | 200         | 150                    |
| 01        | 100         | 125                    |
| 10        | 100         | 155.52                 |
| 11        | 100         | 311.04 (default)       |

## Pin Assignment



**8N3PG10MBKI-062**  
**10-Lead VFQFN**  
**5mm x 7mm x 1mm package body**  
**K Package**  
**Top View**

## Block Diagram



## Pin Descriptions and Characteristics

**Table 2. Pin Descriptions**

| Number | Name            | Type    |                     | Description  |
|--------|-----------------|---------|---------------------|--|
| 1      | OE              |         | Pullup              | Output enable. External pullup required for normal operation. LVCMOS/LVTTL interface levels.   |
| 2      | Reserved        | Reserve |                     | Reserved pin.  |
| 3      | V <sub>EE</sub> | Power   |                     | Negative supply pin.   |
| 4      | nCLK            | Input   | Pullup/<br>Pulldown | Inverting differential clock input. V <sub>CC</sub> /2 default when left floating  |
| 5      | CLK             | Input   | Pulldown            | Non-inverting differential clock input.  |
| 6      | Q               | Output  |                     | Differential output pair. LVPECL interface levels.   |
| 7      | nQ              | Output  |                     |  |
| 8      | V <sub>CC</sub> | Power   |                     | Power supply pin.  |
| 9      | FSEL0           | Input   | Pullup              | Feedback control input. Sets the output divider value to one of four values. LVCMOS/LVTTL interface levels. See <i>Frequency Select Table</i> on page 1. |
| 10     | FSEL1           | Input   | Pullup              | Feedback control input. Sets the output divider value to one of four values. LVCMOS/LVTTL interface levels. See <i>Frequency Select Table</i> on page 1. |

NOTE: Pullup and Pulldown refer to internal input resistors. See Table 2, *Pin Characteristics*, for typical values.

**Table 3. Pin Characteristics**

| Symbol                | Parameter               | Test Conditions | Minimum | Typical | Maximum | Units |
|-----------------------|-------------------------|-----------------|---------|---------|---------|-------|
| C <sub>IN</sub>       | Input Capacitance       |                 |         | 3.5     |         | pF    |
| R <sub>PULLUP</sub>   | Input Pullup Resistor   |                 |         | 51      |         | kΩ    |
| R <sub>PULLDOWN</sub> | Input Pulldown Resistor |                 |         | 51      |         | kΩ    |

## Function Table

**Table 4. P, M, N Divider Function Table**

| FSEL[1:0]     | P  | M          | N   | Input Frequency (MHz) | Output Frequency (MHz) |
|---------------|----|------------|-----|-----------------------|------------------------|
| 0 0           | ÷2 | 24         | ÷16 | 200                   | 150                    |
| 0 1           | ÷1 | 20         | ÷16 | 100                   | 125                    |
| 1 0           | ÷1 | 21.7727981 | ÷14 | 100                   | 155.52                 |
| 1 1 (default) | ÷1 | 24.8831981 | ÷8  | 100                   | 311.04                 |

## Absolute Maximum Ratings

NOTE: Stresses beyond those listed under *Absolute Maximum Ratings* may cause permanent damage to the device. These ratings are stress specifications only. Functional operation of the product at these conditions or any conditions beyond those listed in the *DC Characteristics* or *AC Characteristics* is not implied. Exposure to absolute maximum rating conditions for extended periods may affect product reliability.

| Item  | Rating                   |
|---|--------------------------|
| Supply Voltage, $V_{CC}$                              | 3.63V                    |
| Inputs, $V_I$   | -0.5V to $V_{CC} + 0.5V$ |
| Outputs, $I_O$<br>Continuous Current<br>Surge Current | 50mA<br>100mA            |
| Junction Temperature, $T_J$                           | 125°C                    |
| Storage Temperature, $T_{STG}$                        | -65°C to 150°C           |

## DC Electrical Characteristics

**Table 5A. Power Supply DC Characteristics,  $V_{CC} = 3.3V \pm 5\%$ ,  $V_{EE} = 0V$ ,  $T_A = -40^\circ C$  to  $85^\circ C$**

| Symbol   | Parameter            | Test Conditions | Minimum | Typical | Maximum | Units |
|----------|----------------------|-----------------|---------|---------|---------|-------|
| $V_{CC}$ | Power Supply Voltage |                 | 3.135   | 3.3     | 3.465   | V     |
| $I_{EE}$ | Power Supply Current |                 |         |         | 189     | mA    |

**Table 5B. Power Supply DC Characteristics,  $V_{CC} = 2.5V \pm 5\%$ ,  $V_{EE} = 0V$ ,  $T_A = -40^\circ C$  to  $85^\circ C$**

| Symbol   | Parameter            | Test Conditions | Minimum | Typical | Maximum | Units |
|----------|----------------------|-----------------|---------|---------|---------|-------|
| $V_{CC}$ | Power Supply Voltage |                 | 2.375   | 2.5     | 2.625   | V     |
| $I_{EE}$ | Power Supply Current |                 |         |         | 182     | mA    |

**Table 5C. LVCMOS/LVTTL DC Characteristics,  $V_{CC} = 3.3V \pm 5\%$  or  $2.5V \pm 5\%$ ,  $V_{EE} = 0V$ ,  $T_A = -40^\circ C$  to  $85^\circ C$**

| Symbol   | Parameter          | Test Conditions  | Minimum | Typical | Maximum        | Units   |
|----------|--------------------|--|---------|---------|----------------|---------|
| $V_{IH}$ | Input High Voltage | $V_{CC} = 3.465V$  | 2       |         | $V_{CC} + 0.3$ | V       |
|          |                    | $V_{CC} = 2.625V$  | 1.7     |         | $V_{CC} + 0.3$ | V       |
| $V_{IL}$ | Input Low Voltage  | $V_{CC} = 3.465V$  | -0.3    |         | 0.8            | V       |
|          |                    | $V_{CC} = 2.625V$  | -0.3    |         | 0.7            | V       |
| $I_{IH}$ | Input High Current | OE, FSEL[1:0]<br>$V_{CC} = V_{IN} = 3.465V$ or $2.625V$        |         |         | 5              | $\mu A$ |
| $I_{IL}$ | Input Low Current  | OE, FSEL[1:0]<br>$V_{CC} = 3.465V$ or $2.625V$ , $V_{IN} = 0V$ | -150    |         |                | $\mu A$ |

**Table 5D. Differential DC Characteristics,  $V_{CC} = 3.3V \pm 5\%$  or  $2.5V \pm 5\%$ ,  $V_{EE} = 0V$ ,  $T_A = -40^\circ C$  to  $85^\circ C$** 

| Symbol    | Parameter                                  | Test Conditions  | Minimum  | Typical | Maximum         | Units   |
|-----------|--|--|----------|---------|-----------------|---------|
| $I_{IH}$  | Input High Current                         | CLK,<br>nCLK<br>$V_{CC} = V_{IN} = 3.465V$ or $2.625V$   |          |         | 150             | $\mu A$ |
| $I_{IL}$  | Input Low Current                          | CLK<br>$V_{IN} = 0V$ ,<br>$V_{CC} = 3.465V$ or $2.625V$  | -5       |         |                 | $\mu A$ |
|           |  | nCLK<br>$V_{IN} = 0V$ ,<br>$V_{CC} = 3.465V$ or $2.625V$ | -150     |         |                 | $\mu A$ |
| $V_{PP}$  | Peak-to-Peak Voltage;<br>NOTE 1            |  | 0.15     |         | 1.3             | V       |
| $V_{CMR}$ | Common Mode<br>Input Voltage;<br>NOTE 1, 2 |  | $V_{EE}$ |         | $V_{CC} - 0.85$ | V       |

NOTE 1:  $V_{IL}$  should not be less than  $-0.3V$ .  $V_{IH}$  should not be higher than  $V_{CC}$ .

NOTE 2: Common mode input voltage is defined as the crossing point.

**Table 5E. LVPECL DC Characteristics,  $V_{CC} = 3.3V \pm 5\%$  or  $2.5V \pm 5\%$ ,  $V_{EE} = 0V$ ,  $T_A = -40^\circ C$  to  $85^\circ C$** 

| Symbol      | Parameter                            | Test Conditions | Minimum        | Typical | Maximum        | Units |
|-------------|--------------------------------------|-----------------|----------------|---------|----------------|-------|
| $V_{OH}$    | Output High Voltage; NOTE 1          |                 | $V_{CC} - 1.4$ |         | $V_{CC} - 0.9$ | V     |
| $V_{OL}$    | Output Low Voltage; NOTE 1           |                 | $V_{CC} - 2.0$ |         | $V_{CC} - 1.7$ | V     |
| $V_{SWING}$ | Peak-to-Peak Output Voltage<br>Swing |                 | 0.6            |         | 1.0            | V     |

NOTE 1: Outputs termination with  $50\Omega$  to  $V_{CC} - 2V$ .

## AC Electrical Characteristics

**Table 6A. AC Characteristics,  $V_{CC} = 3.3V \pm 5\%$ ,  $V_{EE} = 0V$ ,  $T_A = -40^\circ C$  to  $85^\circ C$**

| Symbol               | Parameter                            | Test Conditions   | Minimum | Typical | Maximum | Units |
|----------------------|--------------------------------------|---|---------|---------|---------|-------|
| $f_{OUT}$            | Output Frequency                     |   | 125     |         | 311.04  | MHz   |
| $f_{jit(cc)}$        | Cycle-to-Cycle Jitter; NOTE 1        |   |         | 18      | 30      | ps    |
| $f_{jit}(\emptyset)$ | RMS Phase Jitter (Random); NOTE 2, 3 | $f_{OUT} = 150MHz$ ,<br>Integration Range:<br>12kHz – 20MHz |         | 0.295   |         | ps    |
| $t_R / t_F$          | Output Rise/Fall Time                | 20% to 80%  | 100     |         | 500     | ps    |
| odc                  | Output Duty Cycle                    |   | 49      |         | 51      | %     |

NOTE: Electrical parameters are guaranteed over the specified ambient operating temperature range, which is established when the device is mounted in a test socket with maintained transverse airflow greater than 500 lpm. The device will meet specifications after thermal equilibrium has been reached under these conditions.

NOTE 1: This parameter is defined in accordance with JEDEC Standard 65.

NOTE 2: Refer to the Phase Noise plots.

NOTE 3: Characterized using Rhode Schwartz SMA100A for input clocks.

**Table 6B. AC Characteristics,  $V_{CC} = 2.5V \pm 5\%$ ,  $V_{EE} = 0V$ ,  $T_A = -40^\circ C$  to  $85^\circ C$**

| Symbol               | Parameter                            | Test Conditions   | Minimum | Typical | Maximum | Units |
|----------------------|--------------------------------------|---|---------|---------|---------|-------|
| $f_{MAX}$            | Output Frequency                     |   | 125     |         | 311.04  | MHz   |
| $f_{jit(cc)}$        | Cycle-to-Cycle Jitter; NOTE 1        |   |         | 18      | 30      | ps    |
| $f_{jit}(\emptyset)$ | RMS Phase Jitter (Random); NOTE 2, 3 | $f_{OUT} = 150MHz$ ,<br>Integration Range:<br>12kHz – 20MHz |         | 0.3     |         | ps    |
| $t_R / t_F$          | Output Rise/Fall Time                | 20% to 80%  | 100     |         | 500     | ps    |
| odc                  | Output Duty Cycle                    |   | 49      |         | 51      | %     |

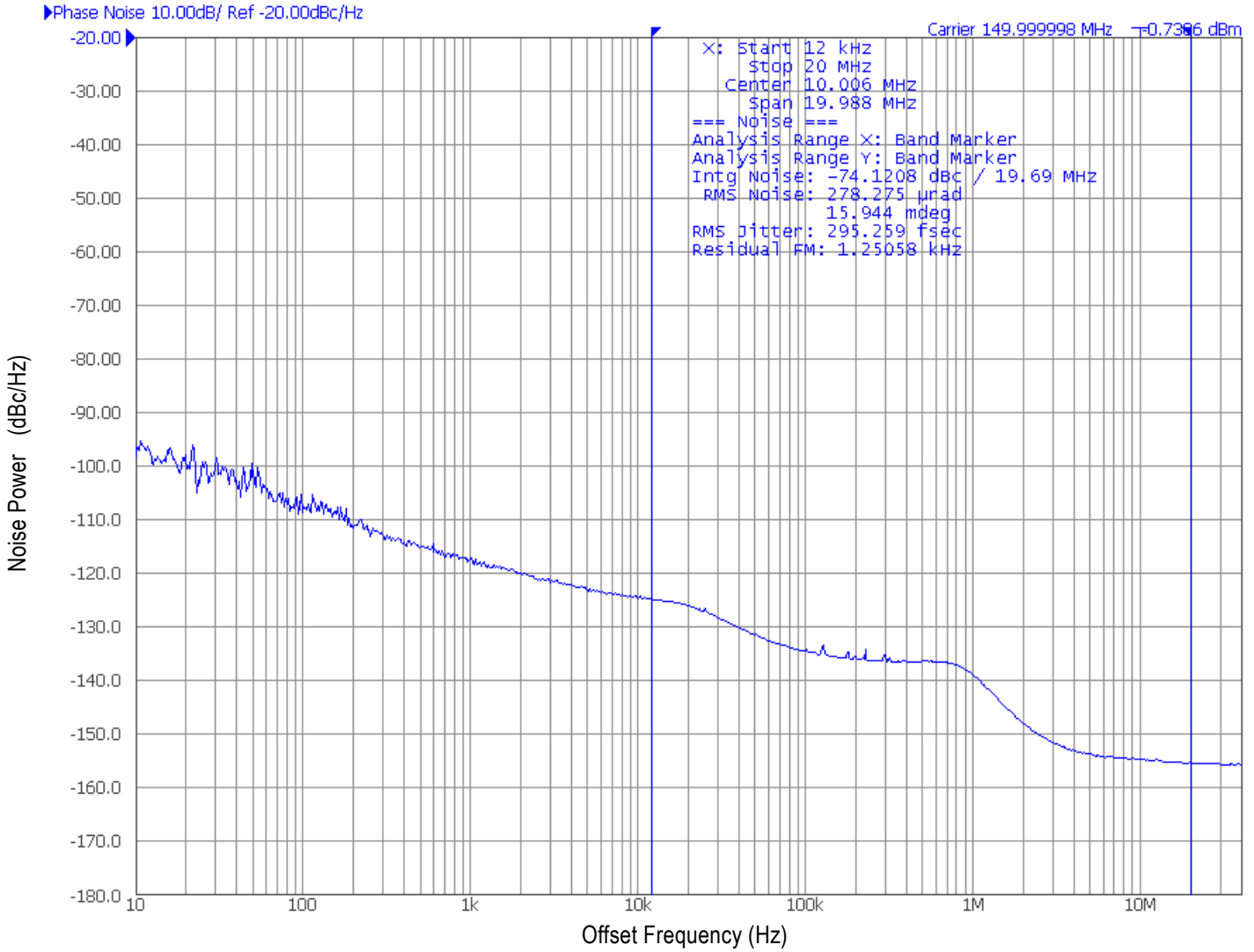
NOTE: Electrical parameters are guaranteed over the specified ambient operating temperature range, which is established when the device is mounted in a test socket with maintained transverse airflow greater than 500 lpm. The device will meet specifications after thermal equilibrium has been reached under these conditions.

NOTE 1: This parameter is defined in accordance with JEDEC Standard 65.

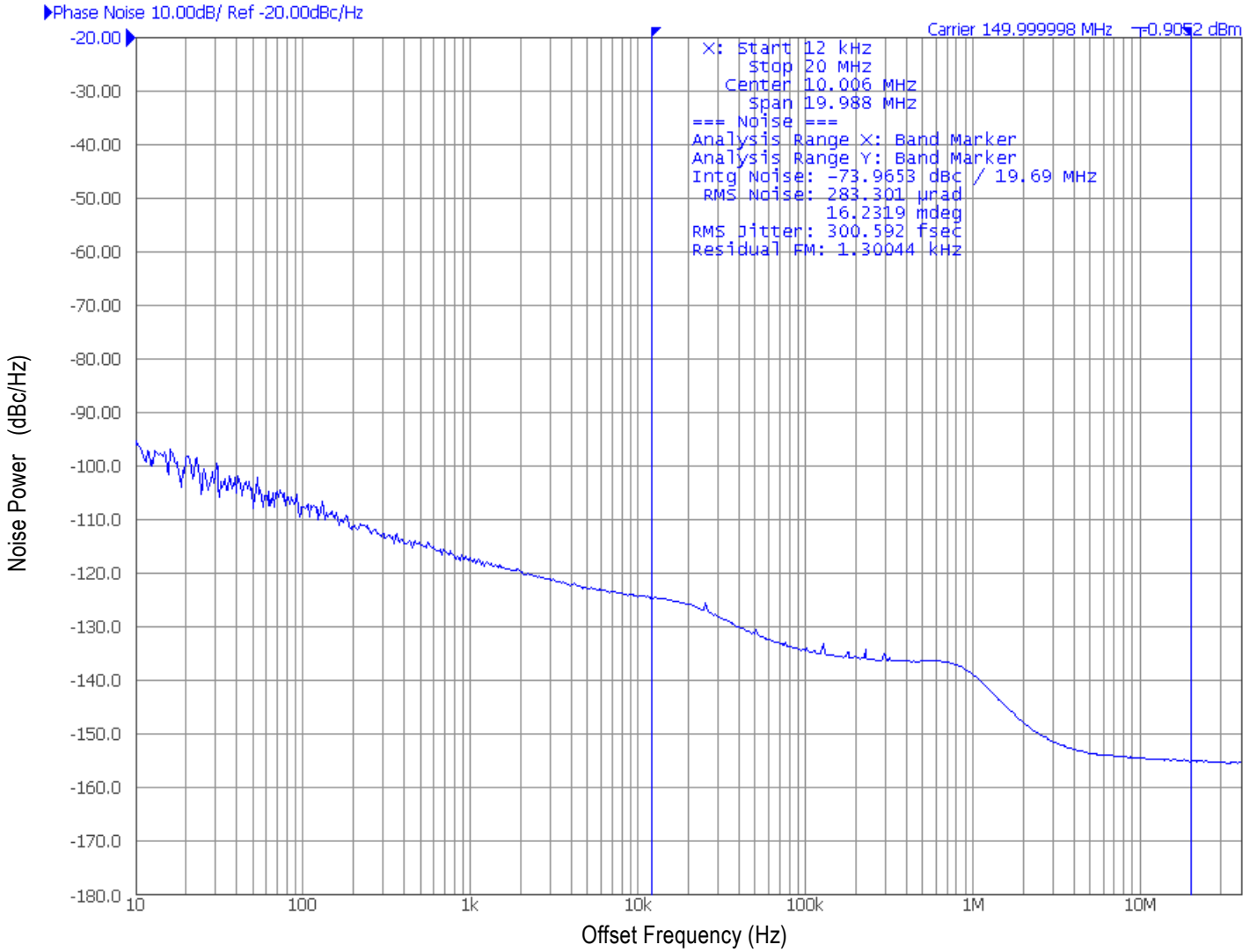
NOTE 2: Refer to the Phase Noise plots.

NOTE 3: Characterized using Rhode Schwartz SMA100A for input clocks.

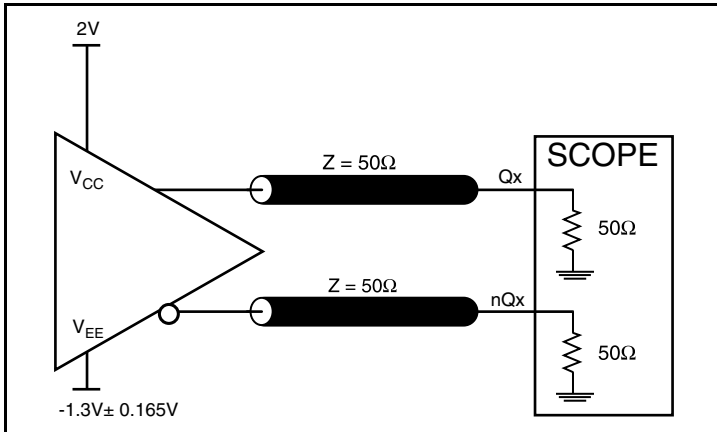
## Typical Phase Noise at 150MHz, (3.3V)



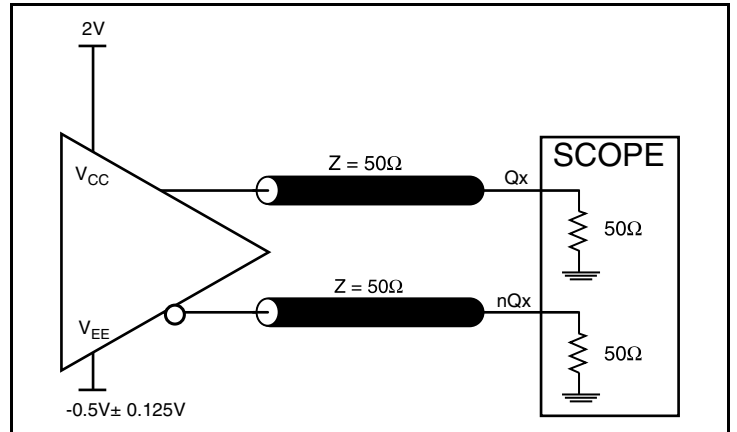
## Typical Phase Noise at 150MHz, (2.5V)



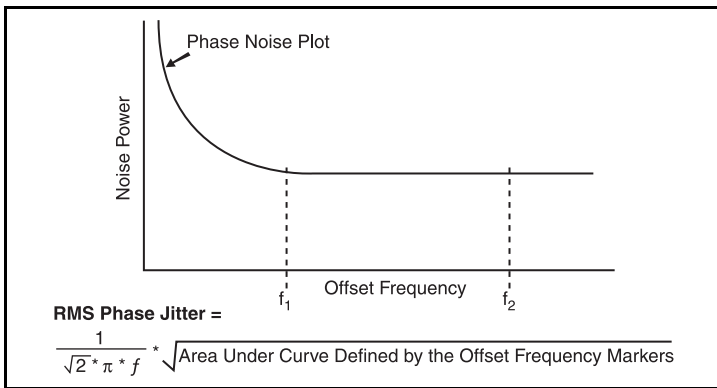
## Parameter Measurement Information



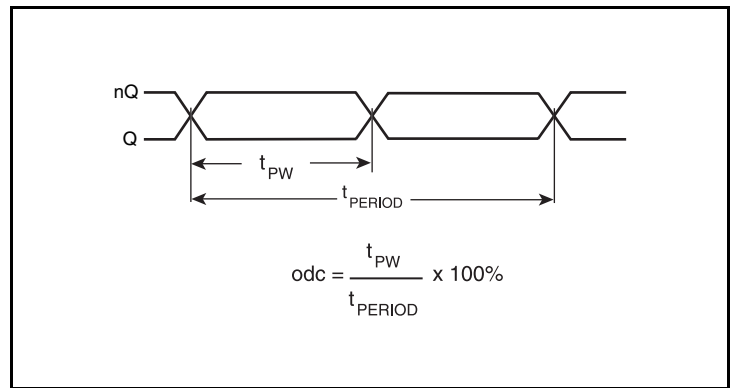
3.3V LVPECL Output Load AC Test Circuit



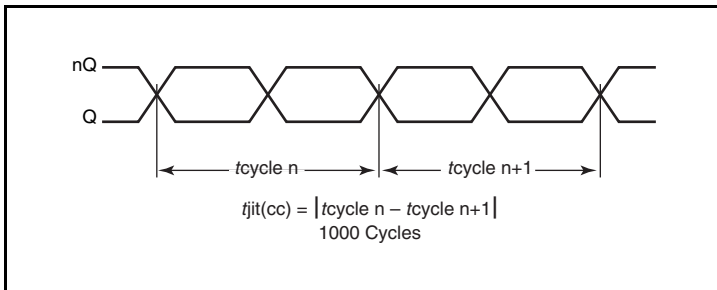
2.5V LVPECL Output Load AC Test Circuit



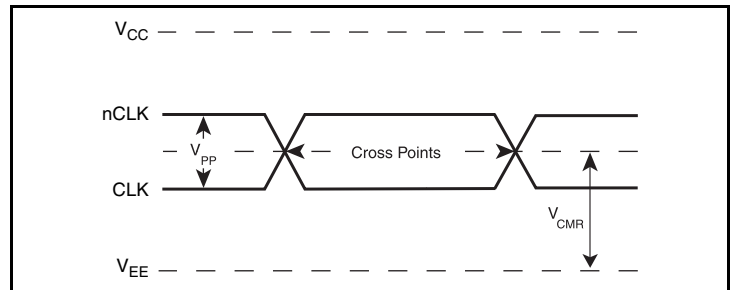
RMS Phase Jitter Differential Input Level



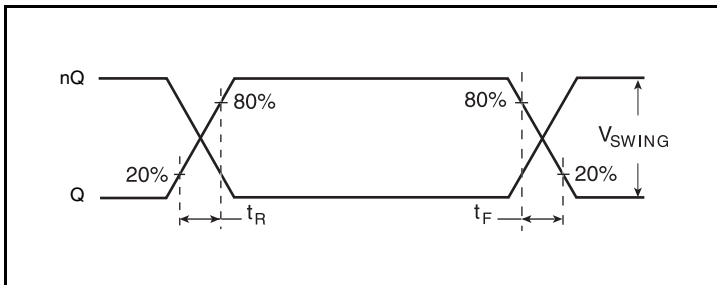
Output Duty Cycle/Pulse Width/Period



Cycle-to-Cycle Jitter



Differential Input Level



Output Rise/Fall Time



## Applications Information

### Wiring the Differential Input to Accept Single-Ended Levels

Figure 1 shows how a differential input can be wired to accept single ended levels. The reference voltage  $V_1 = V_{CC}/2$  is generated by the bias resistors R1 and R2. The bypass capacitor (C1) is used to help filter noise on the DC bias. This bias circuit should be located as close to the input pin as possible. The ratio of R1 and R2 might need to be adjusted to position the  $V_1$  in the center of the input voltage swing. For example, if the input clock swing is 2.5V and  $V_{CC} = 3.3V$ , R1 and R2 value should be adjusted to set  $V_1$  at 1.25V. The values below are for when both the single ended swing and  $V_{CC}$  are at the same voltage. This configuration requires that the sum of the output impedance of the driver ( $R_o$ ) and the series resistance ( $R_s$ ) equals the transmission line impedance. In addition, matched termination at the input will attenuate the signal in half. This can be done in one of two ways. First, R3 and R4 in parallel should equal the transmission

line impedance. For most 50Ω applications, R3 and R4 can be 100Ω. The values of the resistors can be increased to reduce the loading for slower and weaker LVCMOS driver. When using single-ended signaling, the noise rejection benefits of differential signaling are reduced. Even though the differential input can handle full rail LVCMOS signaling, it is recommended that the amplitude be reduced. The datasheet specifies a lower differential amplitude, however this only applies to differential signals. For single-ended applications, the swing can be larger, however  $V_{IL}$  cannot be less than -0.3V and  $V_{IH}$  cannot be more than  $V_{CC} + 0.3V$ . Though some of the recommended components might not be used, the pads should be placed in the layout. They can be utilized for debugging purposes. The datasheet specifications are characterized and guaranteed by using a differential signal.

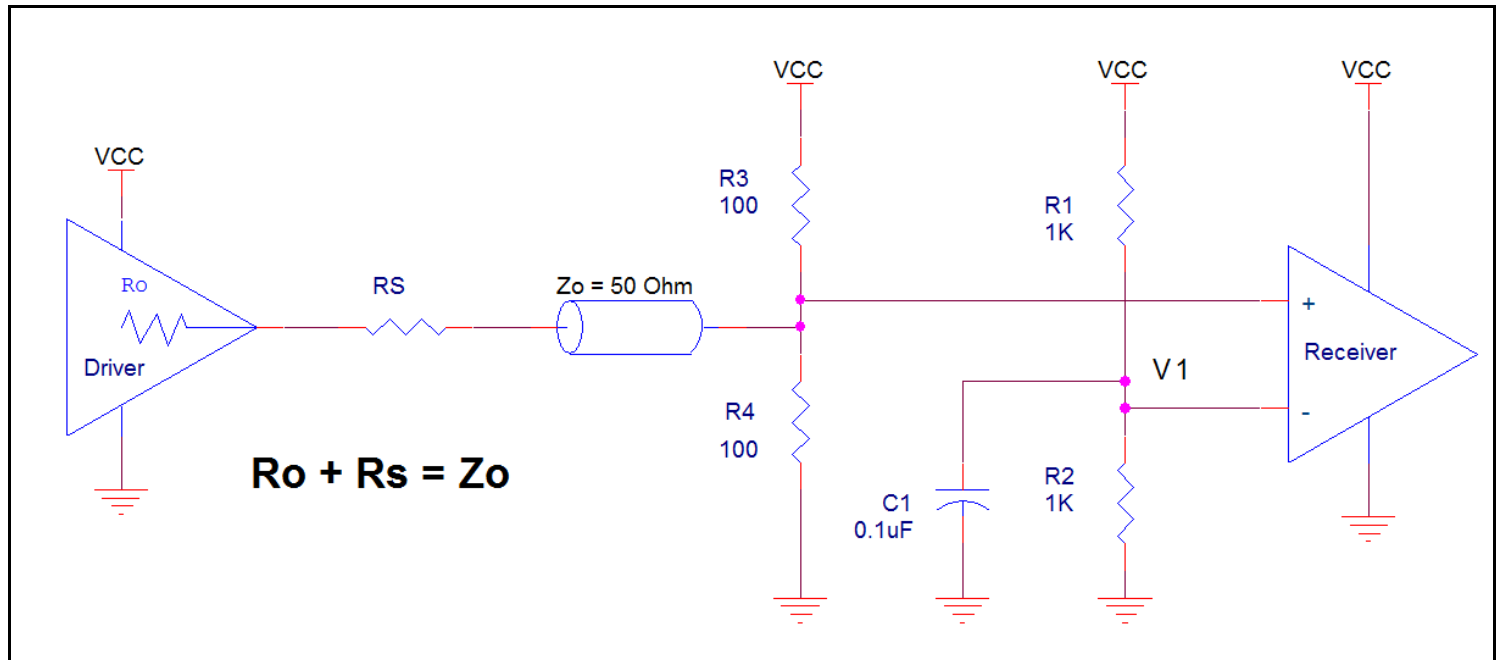


Figure 1. Recommended Schematic for Wiring a Differential Input to Accept Single-ended Levels

### Recommendations for Unused Input Pins

#### Inputs:

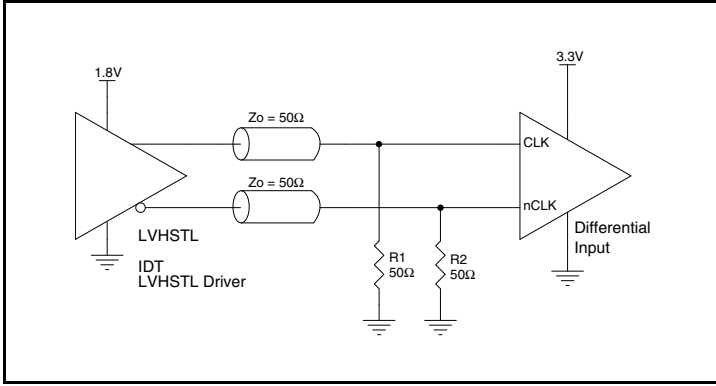
##### LVCMOS Control Pins

For the control pins that have internal pullup resistors; additional resistance is not required but can be added for additional protection. A 1kΩ resistor can be used.

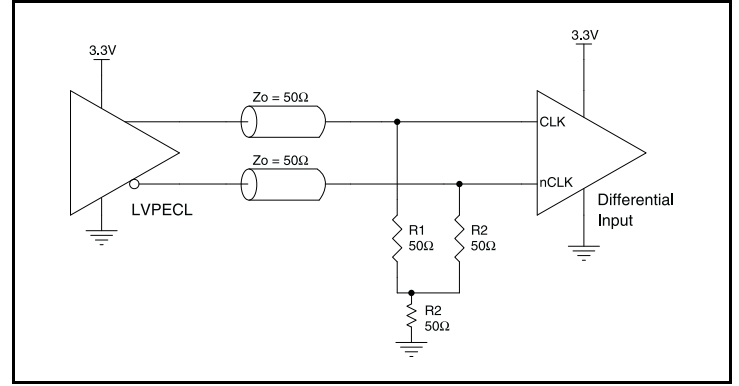
### 3.3V Differential Clock Input Interface

The CLK /nCLK accepts LVDS, LVPECL, LVHSTL, HCSL and other differential signals. Both  $V_{SWING}$  and  $V_{OH}$  must meet the  $V_{PP}$  and  $V_{CMR}$  input requirements. *Figure 2A to Figure 2E* show interface examples for the CLK/nCLK input driven by the most common driver types. The input interfaces suggested here are examples only.

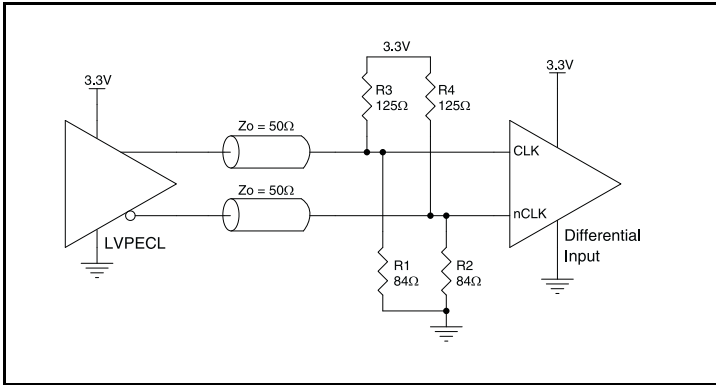
Please consult with the vendor of the driver component to confirm the driver termination requirements. For example, in *Figure 2A*, the input termination applies for IDT open emitter LVHSTL drivers. If you are using an LVHSTL driver from another vendor, use their termination recommendation.



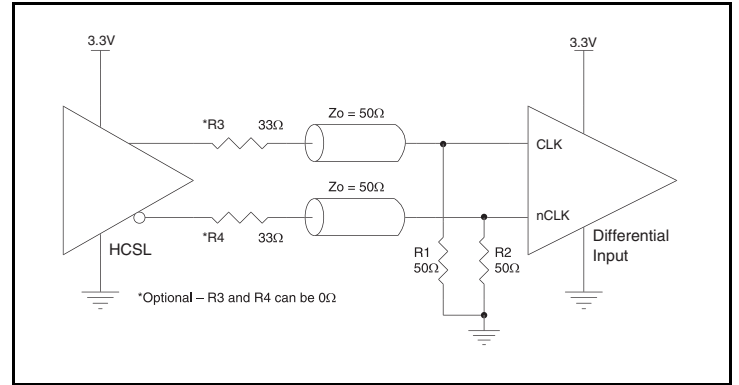
**Figure 2A.** CLK/nCLK Input Driven by an IDT Open Emitter LVHSTL Driver



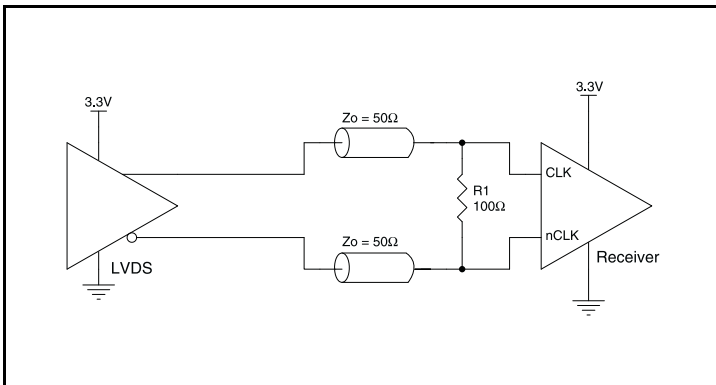
**Figure 2D.** CLK/nCLK Input Driven by a 3.3V LVPECL Driver



**Figure 2B.** CLK/nCLK Input Driven by a 3.3V LVPECL Driver



**Figure 2E.** CLK/nCLK Input Driven by a 3.3V HCSL Driver

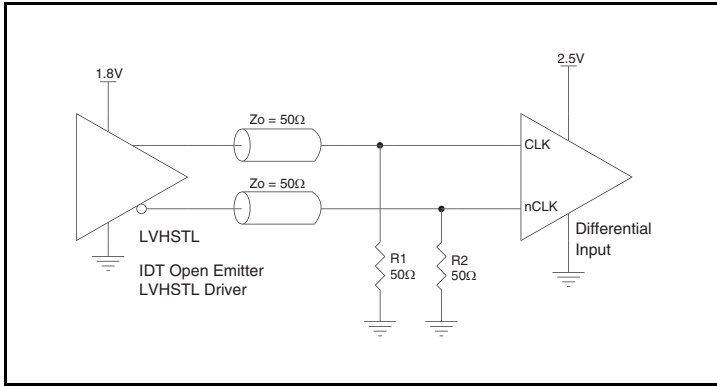


**Figure 2C.** CLK/nCLK Input Driven by a 3.3V LVDS Driver

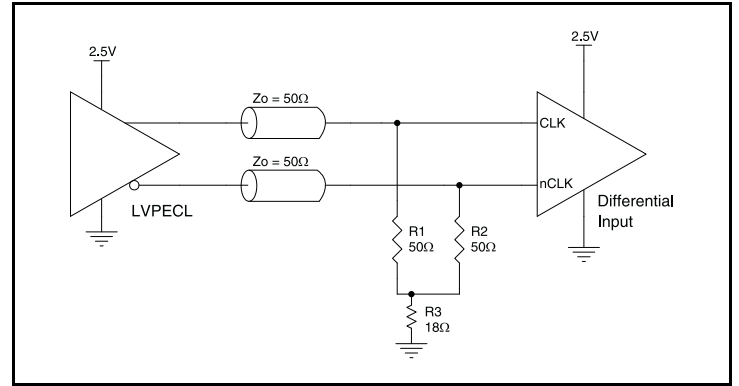
## 2.5V Differential Clock Input Interface

The CLK /nCLK accepts LVDS, LVPECL, LVHSTL, HCSL and other differential signals. Both  $V_{SWING}$  and  $V_{OH}$  must meet the  $V_{PP}$  and  $V_{CMR}$  input requirements. [Figure 3A](#) to [Figure 3E](#) show interface examples for the CLK/nCLK input driven by the most common driver types. The input interfaces suggested here are examples only.

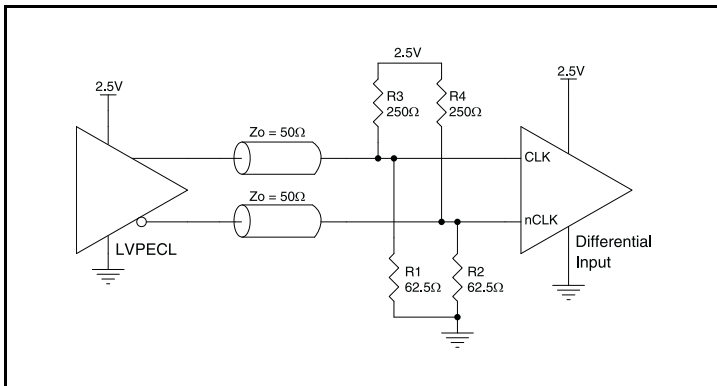
Please consult with the vendor of the driver component to confirm the driver termination requirements. For example, in [Figure 3A](#), the input termination applies for IDT open emitter LVHSTL drivers. If you are using an LVHSTL driver from another vendor, use their termination recommendation.



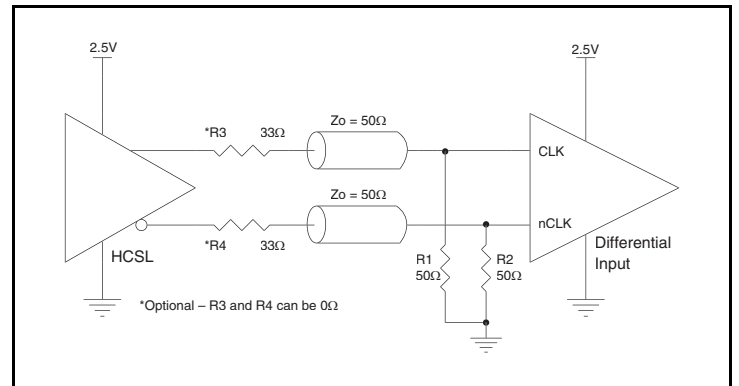
**Figure 3A.** CLK/nCLK Input Driven by an IDT Open Emitter LVHSTL Driver



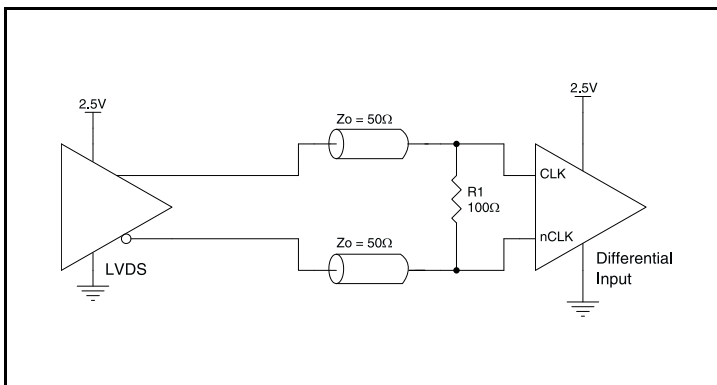
**Figure 3D.** CLK/nCLK Input Driven by a 2.5V LVPECL Driver



**Figure 3B.** CLK/nCLK Input Driven by a 2.5V LVPECL Driver



**Figure 3E.** CLK/nCLK Input Driven by a 2.5V HCSL Driver



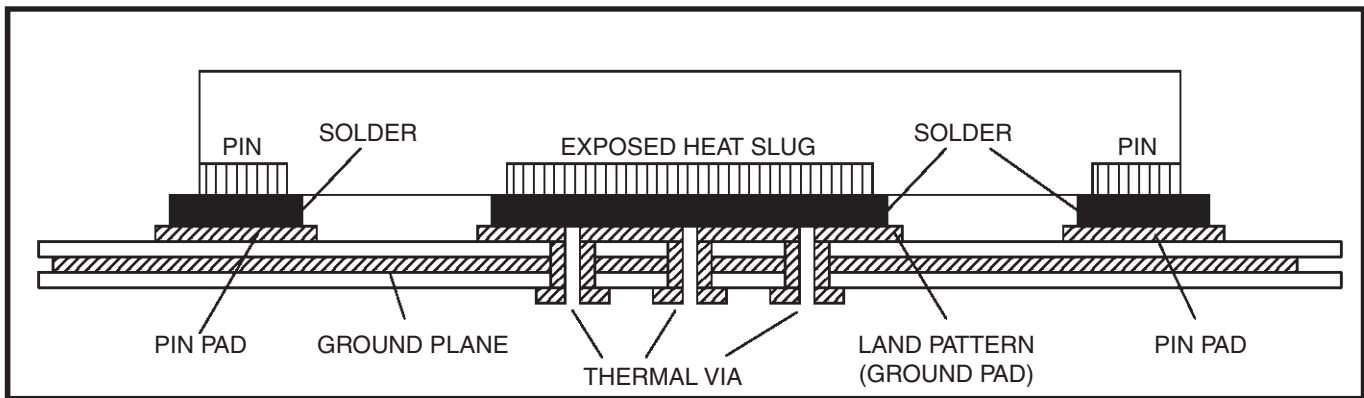
**Figure 3C.** CLK/nCLK Input Driven by a 2.5V LVDS Driver

### VFQFN EPAD Thermal Release Path

In order to maximize both the removal of heat from the package and the electrical performance, a land pattern must be incorporated on the Printed Circuit Board (PCB) within the footprint of the package corresponding to the exposed metal pad or exposed heat slug on the package, as shown in *Figure 4*. The solderable area on the PCB, as defined by the solder mask, should be at least the same size/shape as the exposed pad/slug area on the package to maximize the thermal/electrical performance. Sufficient clearance should be designed on the PCB between the outer edges of the land pattern and the inner edges of pad pattern for the leads to avoid any shorts.

While the land pattern on the PCB provides a means of heat transfer and electrical grounding from the package to the board through a solder joint, thermal vias are necessary to effectively conduct from the surface of the PCB to the ground plane(s). The land pattern must be connected to ground through these vias. The vias act as “heat pipes”. The number of vias (i.e. “heat pipes”) are application specific

and dependent upon the package power dissipation as well as electrical conductivity requirements. Thus, thermal and electrical analysis and/or testing are recommended to determine the minimum number needed. Maximum thermal and electrical performance is achieved when an array of vias is incorporated in the land pattern. It is recommended to use as many vias connected to ground as possible. It is also recommended that the via diameter should be 12 to 13mils (0.30 to 0.33mm) with 1oz copper via barrel plating. This is desirable to avoid any solder wicking inside the via during the soldering process which may result in voids in solder between the exposed pad/slug and the thermal land. Precautions should be taken to eliminate any solder voids between the exposed heat slug and the land pattern. Note: These recommendations are to be used as a guideline only. For further information, please refer to the Application Note on the Surface Mount Assembly of Amkor’s Thermally/Electrically Enhance Leadframe Base Package, Amkor Technology.



**Figure 4. P.C. Assembly for Exposed Pad Thermal Release Path – Side View (drawing not to scale)**

### Termination for 3.3V LVPECL Outputs

The clock layout topology shown below is a typical termination for LVPECL outputs. The two different layouts mentioned are recommended only as guidelines.

The differential outputs are low impedance follower outputs that generate ECL/LVPECL compatible signals. Therefore, terminating resistors (DC current path to ground) or current sources must be

used for functionality. These outputs are designed to drive 50Ω transmission lines. Matched impedance techniques should be used to maximize operating frequency and minimize signal distortion.

Figure 5A and Figure 5B show two different layouts which are recommended only as guidelines. Other suitable clock layouts may exist and it would be recommended that the board designers simulate to guarantee compatibility across all printed circuit and clock component process variations.

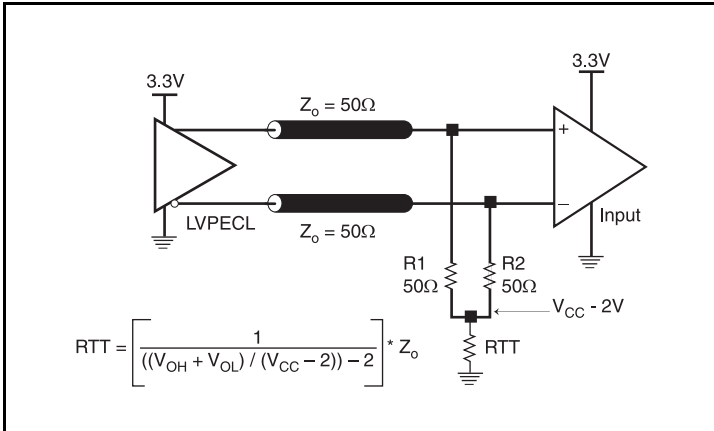


Figure 5A. 3.3V LVPECL Output Termination

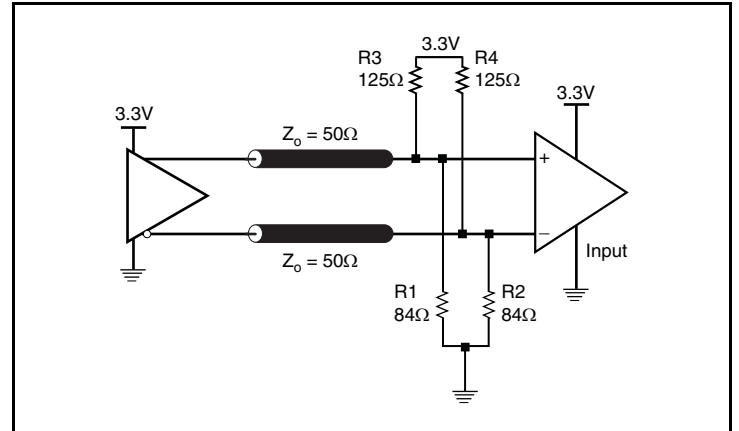


Figure 5B. 3.3V LVPECL Output Termination

## Termination for 2.5V LVPECL Outputs

Figure 6A and Figure 6C show examples of termination for 2.5V LVPECL driver. These terminations are equivalent to terminating  $50\Omega$  to  $V_{CC} - 2V$ . For  $V_{CC} = 2.5V$ , the  $V_{CC} - 2V$  is very close to ground

level. The R3 in Figure 6B can be eliminated and the termination is shown in Figure 6C.

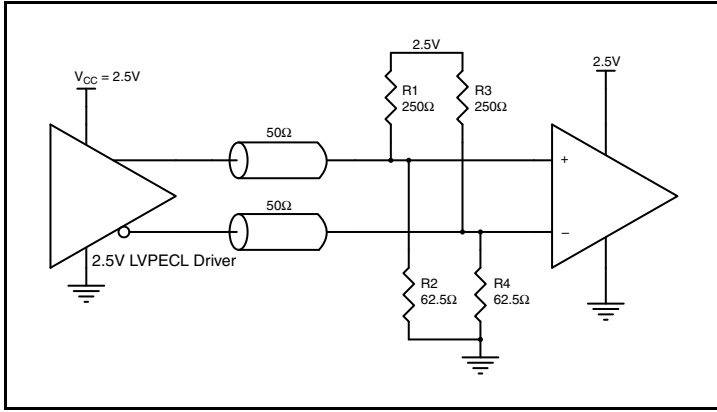


Figure 6A. 2.5V LVPECL Driver Termination Example

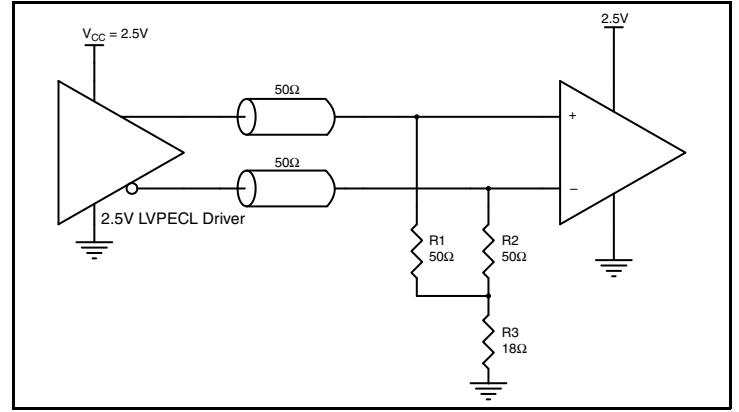


Figure 6C. 2.5V LVPECL Driver Termination Example

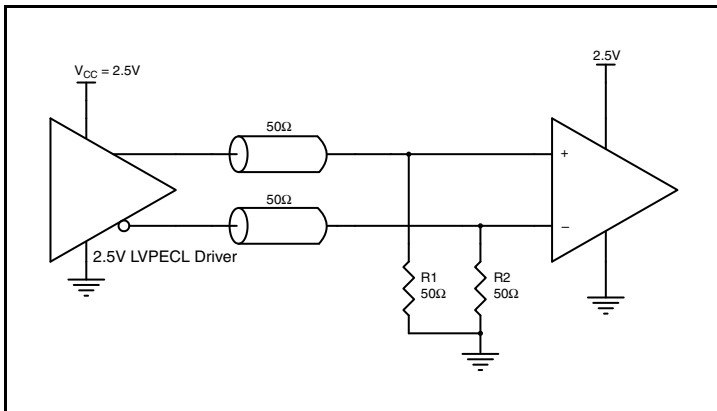


Figure 6B. 2.5V LVPECL Driver Termination Example

## Power Considerations

This section provides information on power dissipation and junction temperature for the 8N3PG10MBKI-062. Equations and example calculations are also provided.

### 1. Power Dissipation.

The total power dissipation for the 8N3PG10MBKI-062 is the sum of the core power plus the power dissipation due to loading. The following is the power dissipation for  $V_{CC} = 3.3V + 5\% = 3.465V$ , which gives worst case results.

NOTE: Please refer to Section 3 for details on calculating power dissipation due to loading.

- Power (core)<sub>MAX</sub> =  $V_{CC\_MAX} * I_{EE\_MAX} = 3.465V * 189mA = \mathbf{654.885mW}$
- Power (outputs)<sub>MAX</sub> = **30mW/Loaded Output pair**

**Total Power**<sub>MAX</sub> (3.3V, with all outputs switching) = 654.885mW + 30mW = **684.885mW**

### 2. Junction Temperature.

Junction temperature,  $T_j$ , is the temperature at the junction of the bond wire and bond pad, and directly affects the reliability of the device. The maximum recommended junction temperature is 125°C. Limiting the internal transistor junction temperature,  $T_j$ , to 125°C ensures that the bond wire and bond pad temperature remains below 125°C.

The equation for  $T_j$  is as follows:  $T_j = \theta_{JA} * Pd\_total + T_A$

$T_j$  = Junction Temperature

$\theta_{JA}$  = Junction-to-Ambient Thermal Resistance

$Pd\_total$  = Total Device Power Dissipation (example calculation is in section 1 above)

$T_A$  = Ambient Temperature

In order to calculate junction temperature, the appropriate junction-to-ambient thermal resistance  $\theta_{JA}$  must be used. Assuming no air flow and a multi-layer board, the appropriate value is 39.2°C/W per [Table 7](#) below.

Therefore,  $T_j$  for an ambient temperature of 85°C with all outputs switching is:

$$85^\circ\text{C} + 0.685\text{W} * 39.2^\circ\text{C/W} = 111.9^\circ\text{C}. \text{ This is well below the limit of } 125^\circ\text{C}.$$

This calculation is only an example.  $T_j$  will obviously vary depending on the number of loaded outputs, supply voltage, air flow and the type of board (multi-layer).

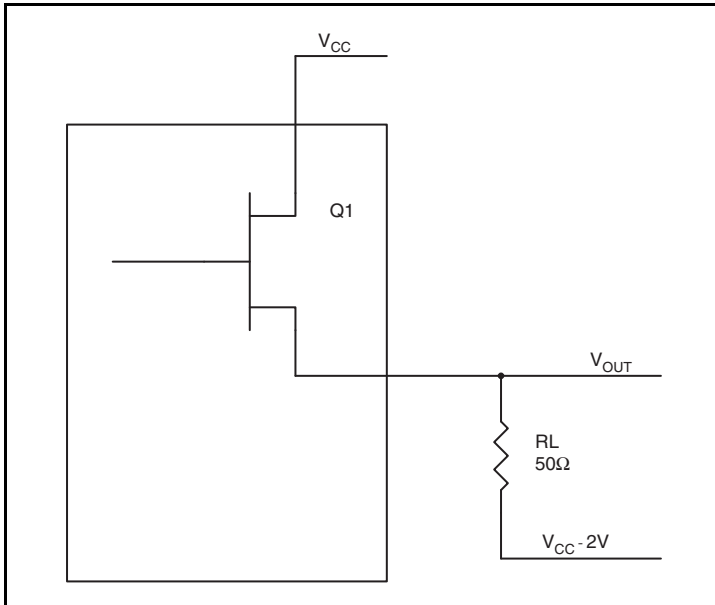
**Table 7. Thermal Resistance  $\theta_{JA}$  for 10 Lead VFQFN, Forced Convection**

| $\theta_{JA}$ by Velocity                   |          |
|---|----------|
| Meters per Second                           | <b>0</b> |
| Multi-Layer PCB, JEDEC Standard Test Boards | 39.2°C/W |

### 3. Calculations and Equations.

The purpose of this section is to calculate the power dissipation for the LVPECL output pair.

The LVPECL output driver circuit and termination are shown in [Figure 7](#).



**Figure 7. LVPECL Driver Circuit and Termination**

To calculate power dissipation due to loading, use the following equations which assume a 50Ω load, and a termination voltage of  $V_{CC} - 2V$ .

- For logic high,  $V_{OUT} = V_{OH\_MAX} = V_{CC\_MAX} - 0.9V$   
 $(V_{CC\_MAX} - V_{OH\_MAX}) = 0.9V$
- For logic low,  $V_{OUT} = V_{OL\_MAX} = V_{CC\_MAX} - 1.7V$   
 $(V_{CC\_MAX} - V_{OL\_MAX}) = 1.7V$

$Pd\_H$  is power dissipation when the output drives high.

$Pd\_L$  is the power dissipation when the output drives low.

$$Pd\_H = [(V_{OH\_MAX} - (V_{CC\_MAX} - 2V))/R_L] * (V_{CC\_MAX} - V_{OH\_MAX}) = [(2V - (V_{CC\_MAX} - V_{OH\_MAX}))/R_L] * (V_{CC\_MAX} - V_{OH\_MAX}) = [(2V - 0.9V)/50\Omega] * 0.9V = \mathbf{19.8mW}$$

$$Pd\_L = [(V_{OL\_MAX} - (V_{CC\_MAX} - 2V))/R_L] * (V_{CC\_MAX} - V_{OL\_MAX}) = [(2V - (V_{CC\_MAX} - V_{OL\_MAX}))/R_L] * (V_{CC\_MAX} - V_{OL\_MAX}) = [(2V - 1.7V)/50\Omega] * 1.7V = \mathbf{10.2mW}$$

Total Power Dissipation per output pair =  $Pd\_H + Pd\_L = \mathbf{30mW}$



## Reliability Information

**Table 8.  $\theta_{JA}$  vs. Air Flow Table for a 10 Lead VFQFN**

| $\theta_{JA}$ vs. Air Flow                  |          |
|---|----------|
| Meters per Second                           | <b>0</b> |
| Multi-Layer PCB, JEDEC Standard Test Boards | 39.2°C/W |

## Transistor Count

The transistor count for 8N3PG10MBKI-062 is: 42,520

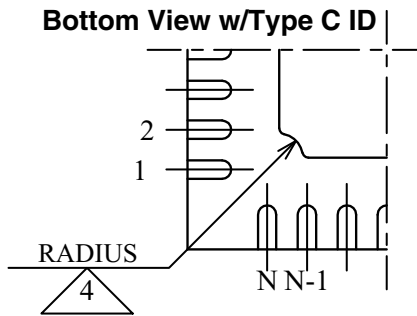
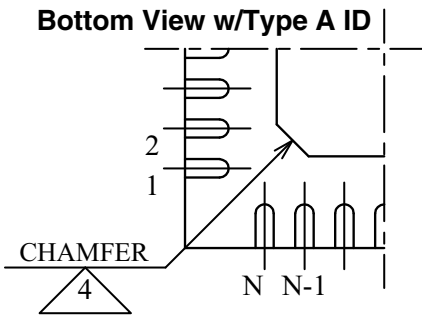
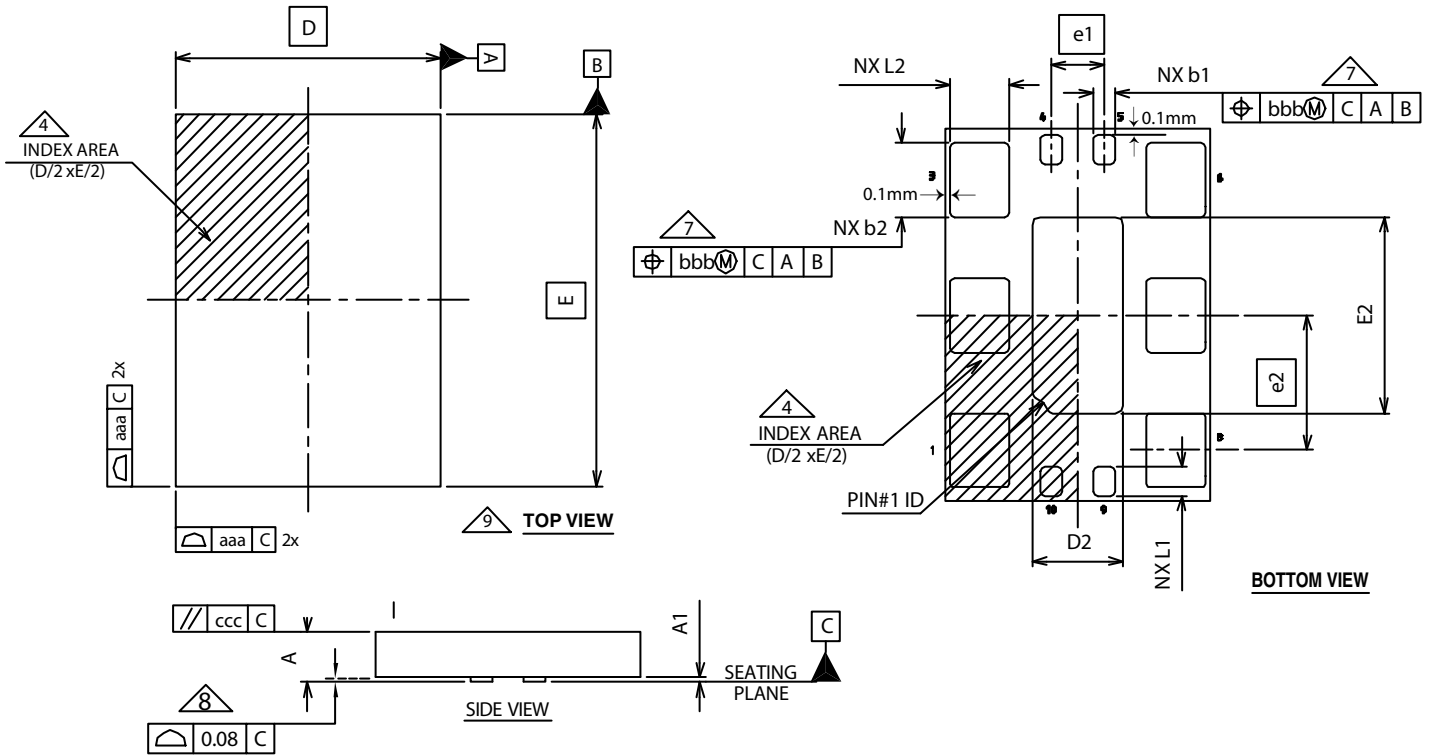
## Package Dimensions

**Table 9. Package Dimensions for 10-Lead VFQFN**

| VNJR-1<br>All Dimensions in Millimeters |            |         |         |
|---|------------|---------|---------|
| Symbol                                  | Minimum    | Nominal | Maximum |
| <b>N</b>                                | 10         |         |         |
| <b>A</b>                                | 0.80       | 0.90    | 1.00    |
| <b>A1</b>                               | 0          | 0.02    | 0.05    |
| <b>b1</b>                               | 0.35       | 0.40    | 0.45    |
| <b>b2</b>                               | 1.35       | 1.40    | 1.45    |
| <b>D</b>                                | 5.00 Basic |         |         |
| <b>D2</b>                               | 1.55       | 1.70    | 1.80    |
| <b>E</b>                                | 7.00 Basic |         |         |
| <b>E2</b>                               | 3.55       | 3.70    | 3.80    |
| <b>e1</b>                               | 1.0        |         |         |
| <b>e2</b>                               | 2.54       |         |         |
| <b>L1</b>                               | 0.45       | 0.55    | 0.65    |
| <b>L2</b>                               | 1.0        | 1.10    | 1.20    |
| <b>N</b>                                | 10         |         |         |
| <b>N<sub>D</sub></b>                    | 2          |         |         |
| <b>N<sub>E</sub></b>                    | 3          |         |         |
| <b>aaa</b>                              | 0.15       |         |         |
| <b>bbb</b>                              | 0.10       |         |         |
| <b>ccc</b>                              | 0.10       |         |         |

# Package Outline

## Package Outline - K Suffix for 10-Lead VFQFN



There are 2 methods of indicating pin 1 corner at the back of the VFQFN package:

1. Type A: Chamfer on the paddle (near pin 1)
2. Type C: Mouse bite on the paddle (near pin 1)

NOTE: The following package mechanical drawing is a generic drawing that applies to any pin count VFQFN package. This drawing is not intended to convey the actual pin count or pin layout of this

device. The pin count and pinout are shown on the front page. The package dimensions are in [Table 9](#).

## Ordering Information

Table 10. Ordering Information

| Part/Order Number  | Marking      | Package                   | Shipping Packaging | Temperature   |
|--------------------|--------------|---------------------------|--------------------|---------------|
| 8N3PG10MBKI-062LF  | ICS10MBI062L | "Lead-Free" 10 Lead VFQFN | Tray               | -40°C to 85°C |
| 8N3PG10MBKI-062LFT | ICS10MBI062L | "Lead-Free" 10 Lead VFQFN | Tape & Reel        | -40°C to 85°C |

## Revision History

| Revision Date    | Description of Change   |
|------------------|---|
| January 28, 2016 | <ul style="list-style-type: none"><li>▪ Removed ICS from the part number where needed.</li><li>▪ Updated header and footer.</li></ul> |



## IMPORTANT NOTICE AND DISCLAIMER

RENESAS ELECTRONICS CORPORATION AND ITS SUBSIDIARIES (“RENESAS”) PROVIDES TECHNICAL SPECIFICATIONS AND RELIABILITY DATA (INCLUDING DATASHEETS), DESIGN RESOURCES (INCLUDING REFERENCE DESIGNS), APPLICATION OR OTHER DESIGN ADVICE, WEB TOOLS, SAFETY INFORMATION, AND OTHER RESOURCES “AS IS” AND WITH ALL FAULTS, AND DISCLAIMS ALL WARRANTIES, EXPRESS OR IMPLIED, INCLUDING, WITHOUT LIMITATION, ANY IMPLIED WARRANTIES OF MERCHANTABILITY, FITNESS FOR A PARTICULAR PURPOSE, OR NON-INFRINGEMENT OF THIRD-PARTY INTELLECTUAL PROPERTY RIGHTS.

These resources are intended for developers who are designing with Renesas products. You are solely responsible for (1) selecting the appropriate products for your application, (2) designing, validating, and testing your application, and (3) ensuring your application meets applicable standards, and any other safety, security, or other requirements. These resources are subject to change without notice. Renesas grants you permission to use these resources only to develop an application that uses Renesas products. Other reproduction or use of these resources is strictly prohibited. No license is granted to any other Renesas intellectual property or to any third-party intellectual property. Renesas disclaims responsibility for, and you will fully indemnify Renesas and its representatives against, any claims, damages, costs, losses, or liabilities arising from your use of these resources. Renesas' products are provided only subject to Renesas' Terms and Conditions of Sale or other applicable terms agreed to in writing. No use of any Renesas resources expands or otherwise alters any applicable warranties or warranty disclaimers for these products.

(Disclaimer Rev.1.01 Jan 2024)

### Corporate Headquarters

TOYOSU FORESIA, 3-2-24 Toyosu,  
Koto-ku, Tokyo 135-0061, Japan  
[www.renesas.com](http://www.renesas.com)

### Trademarks

Renesas and the Renesas logo are trademarks of Renesas Electronics Corporation. All trademarks and registered trademarks are the property of their respective owners.

### Contact Information

For further information on a product, technology, the most up-to-date version of a document, or your nearest sales office, please visit [www.renesas.com/contact-us/](http://www.renesas.com/contact-us/).