

## Description

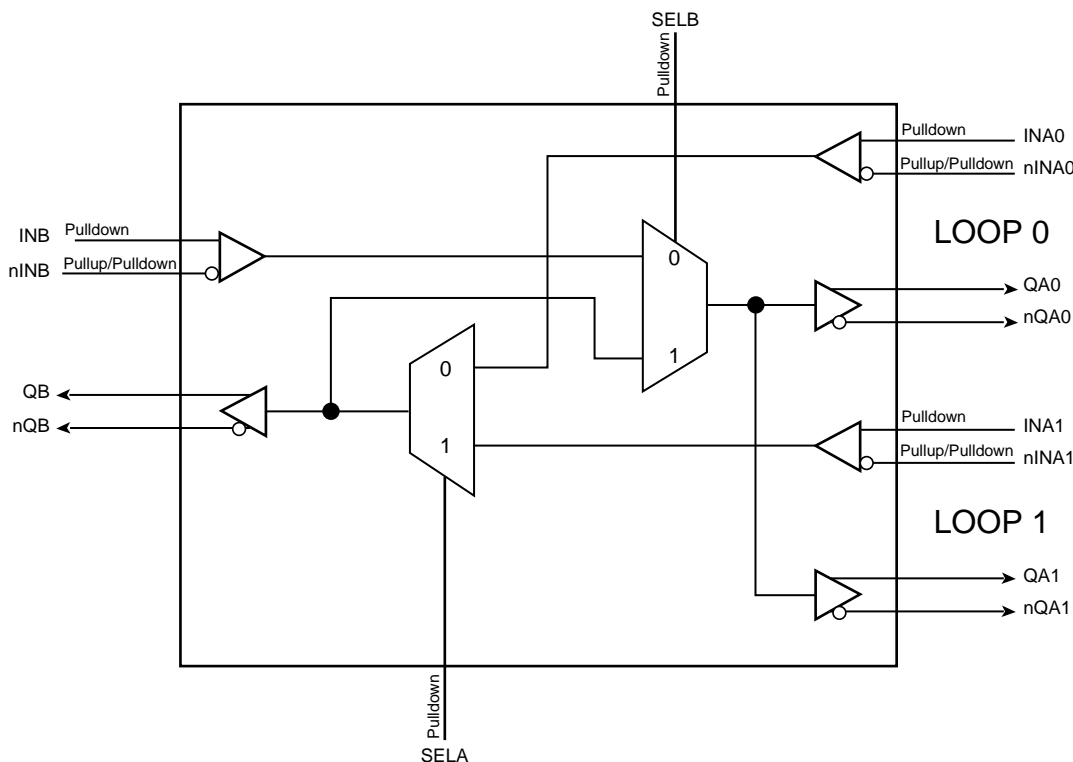
The 853S54I-01 is a 2:1/1:2 Multiplexer. The 2:1 Multiplexer allows one of 2 inputs to be selected onto one output pin and the 1:2 MUX switches one input to one of two outputs. This device may be useful for multiplexing multi-rate Ethernet PHYs which have 100Mbit and 1000Mbit transmit/receive pairs onto an optical SFP module which has a single transmit/receive pair. A 3<sup>RD</sup> mode allows loop back testing and allows the output of a PHY transmit pair to be routed to the PHY input pair. For examples, please refer to the Application Block diagrams on pages 2-3 of the data sheet.

The 853S54I-01 is optimized for applications requiring very high performance and has a maximum operating frequency in 2.5GHz. The device is packaged in a small, 3mm x 3mm VFQFN package, making it ideal for use on space-constrained boards.

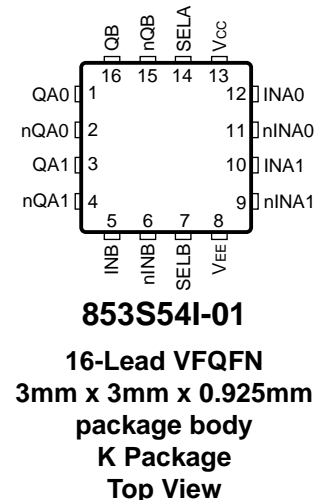
## Features

- Dual 2:1, 1:2 MUX
- Three LVPECL output pairs
- Three differential clock inputs can accept: LVPECL, LVDS, CML
- Loopback test mode available
- Maximum output frequency: 2.5GHz
- Propagation delay: 550ps (maximum)
- Part-to-part skew: 275ps (maximum)
- Additive phase jitter, RMS: 27fs (typical)
- LVPECL mode operating voltage supply range:  
 $V_{CC} = 2.375V$  to  $3.465V$ ,  $V_{EE} = 0V$
- ECL mode operating voltage supply range:  
 $V_{CC} = 0V$ ,  $V_{EE} = -3.465V$  to  $-2.375V$
- $-40^{\circ}C$  to  $85^{\circ}C$  ambient operating temperature
- Available in lead-free (RoHS 6) package

## Block Diagram



## Pin Assignment



### Table 1. Pin Descriptions

Number	Name	Type		Description
1, 2	QA0, nQA0	Output		Differential output pair. LVPECL/ECL interface levels.
3, 4	QA1, nQA1	Output		Differential output pair. LVPECL/ECL interface levels.
5	INB	Input	Pulldown	Non-inverting LVPECL/ECL differential clock input.
6	nINB	Input	Pullup/ Pulldown	Inverting LVPECL differential clock input. $V_{CC}/2$ default when left floating.
7	SELB	Input	Pulldown	Select pin for QB output. See Table 3. LVCMOS/LVTTL interface levels.
8	$V_{EE}$	Power		Negative supply pin.
9	nINA1	Input	Pullup/ Pulldown	Inverting differential LVPECL clock input. $V_{CC}/2$ default when left floating.
10	INA1	Input	Pulldown	Non-inverting differential LVPECL clock input.
11	nINA0	Input	Pullup/ Pulldown	Inverting differential LVPECL clock input. $V_{CC}/2$ default when left floating.
12	INA0	Input	Pulldown	Non-inverting differential clock input.
13	$V_{CC}$	Power		Power supply pin.
14	SELA	Input	Pulldown	Select pin for QAx outputs. See Table 3. LVCMOS/LVTTL interface levels.
15, 16	nQB, QB	Output		Differential output pair. LVPECL/ECL interface levels.

NOTE: Pullup and Pulldown refer to internal input resistors. See Table 2, Pin Characteristics, for typical values.

### Table 2. Pin Characteristics

Symbol	Parameter	Test Conditions	Minimum	Typical	Maximum	Units
$R_{PULLUP}$	Input Pullup Resistor			37.5		$k\Omega$
$R_{PULLDOWN}$	Input Pulldown Resistor			37.5		$k\Omega$

## Function Tables

### Table 3. Control Input Function Table

Control Inputs		Mode
SELA	SELB	
0	0	LOOP 0 selected
1	0	LOOP 1 selected
0	1	Loopback mode: LOOP 0
1	1	Loopback mode: LOOP 1

## Absolute Maximum Ratings

NOTE: Stresses beyond those listed under *Absolute Maximum Ratings* may cause permanent damage to the device. These ratings are stress specifications only. Functional operation of product at these conditions or any conditions beyond those listed in the *DC Characteristics* or *AC Characteristics* is not implied. Exposure to absolute maximum rating conditions for extended periods may affect product reliability.

Item	Rating
Supply Voltage, $V_{CC}$	4.6V (LVPECL mode, $V_{EE} = 0V$ )
Negative Supply Voltage, $V_{EE}$	-4.6V (ECL mode, $V_{CC} = 0V$ )
Inputs, $V_I$ (LVPECL mode)	-0.5V to $V_{CC} + 0.5V$
Inputs, $V_I$ (ECL mode)	0.5V to $V_{EE} - 0.5V$
Outputs, $I_O$ Continuous Current Surge Current	50mA 100mA
Operating Temperature Range, $T_A$	-40°C to +85°C
Package Thermal Impedance, $\theta_{JA}$ , (Junction-to-Ambient)	74.7°C/W (0 mps)
Storage Temperature, $T_{STG}$	-65°C to 150°C

## DC Electrical Characteristics

**Table 4A. Power Supply DC Characteristics**,  $V_{CC} = 2.375V$  TO  $3.465V$ ,  $V_{EE} = 0V$  OR  $V_{CC} = 0V$ ,  $V_{EE} = -3.465V$  TO  $-2.375V$ ,  $T_A = -40^\circ C$  to  $85^\circ C$

Symbol	Parameter	Test Conditions	Minimum	Typical	Maximum	Units
$V_{CC}$	Positive Supply Voltage		3.135	3.3	3.465	V
			2.375	2.5	2.625	V
$I_{EE}$	Power Supply Current				45	mA

**Table 4B. LVCMOS/LVTTL DC Characteristics**,  $V_{CC} = 2.375V$  TO  $3.465V$ ,  $V_{EE} = 0V$  OR  $V_{CC} = 0V$ ,  $V_{EE} = -3.465V$  TO  $-2.375V$ ,  $T_A = 40^\circ C$  to  $85^\circ C$

Symbol	Parameter	Test Conditions	Minimum	Typical	Maximum	Units
$V_{IH}$	Input High Voltage	$V_{CC} = 3.465V$	2.2		$V_{CC} + 0.3$	V
		$V_{CC} = 2.625V$	1.7		$V_{CC} + 0.3$	V
$V_{IL}$	Input Low Voltage	$V_{CC} = 3.465V$	0		0.8	V
		$V_{CC} = 2.625V$	0		0.7	V
$I_{IH}$	Input High Current	SELA, SELB $V_{CC} = V_{IN} = 3.465V$ or $2.625V$			150	$\mu A$
$I_{IL}$	Input Low Current	SELA, SELB $V_{CC} = 2.625V$ , $V_{IN} = 0V$	-150			$\mu A$

**Table 4C. LVPECL DC Characteristics,  $V_{CC} = 3.3V$ ,  $V_{EE} = 0V$ ,  $T_A = -40^{\circ}C$  to  $85^{\circ}C$** 

Symbol	Parameter	-40°C			25°C			85°C			Units
		Min	Typ	Max	Min	Typ	Max	Min	Typ	Max	
$V_{OH}$	Output High Voltage; NOTE 1	$V_{CC}-1.125$	$V_{CC}-1.02_5$	$V_{CC}-0.87_5$	$V_{CC}-1.07_5$	$V_{CC}-1.00_5$	$V_{CC}-0.8_{80}$	$V_{CC}-1.01_5$	$V_{CC}-0.9_7$	$V_{CC}-0.8_{85}$	V
$V_{OL}$	Output Low Voltage; NOTE 1	$V_{CC}-1.895$	$V_{CC}-1.75_5$	$V_{CC}-1.62$	$V_{CC}-1.87_5$	$V_{CC}-1.78$	$V_{CC}-1.6_{85}$	$V_{CC}-1.86$	$V_{CC}-1.7_{65}$	$V_{CC}-1.6_7$	V
$V_{PP}$	Peak-to-Peak Input Voltage; NOTE 2	150	800	1200	150	800	1200	150	800	1200	mV
$V_{CMR}$	Common Mode Input Voltage; NOTE 1	1.2		$V_{CC}$	1.2		$V_{CC}$	1.2		$V_{CC}$	V
$I_{IH}$	Input High Current			150			150			150	$\mu A$
$I_{IL}$	Input Low Current	INAx, INB	-10		-10			-10			$\mu A$
		nINAx, nINB	-150		-150			-150			$\mu A$

NOTE: Input and output parameters vary 1:1 with  $V_{CC}$ .  $V_{CC}$  can vary +0.165V to -0.925V.

NOTE 1: Common mode voltage is defined as  $V_{IH}$ .

NOTE 2: For single-ended applications, the maximum input voltage for INAx, nINAx and INB, nINB is  $V_{CC} + 0.3V$ .

**Table 4D. ECL DC Characteristics,  $V_{EE} = -3.465V$  to  $-2.375V$ ,  $V_{CC} = 0V$ ,  $T_A = -40^{\circ}C$  to  $85^{\circ}C$** 

Symbol	Parameter		-40°C			25°C			85°C			Units
			Min	Typ	Max	Min	Typ	Max	Min	Typ	Max	
$V_{OH}$	Output High Voltage; NOTE 1		-1.125	-1.025	-0.0875	-1.075	-1.005	-0.880	-1.015	-0.97	-0.885	V
$V_{OL}$	Output Low Voltage; NOTE 1		-1.895	-1.755	-1.62	-1.875	-1.78	-1.685	-1.86	-1.765	-1.67	V
$V_{PP}$	Peak-to-Peak Input Voltage; NOTE 2		150	800	1200	150	800	1200	150	800	1200	mV
$V_{CMR}$	Common Mode Input Voltage; NOTE 1		$V_{EE} + 1.2$		$V_{CC}$	$V_{EE} + 1.2$		$V_{CC}$	$V_{EE} + 1.2$		$V_{CC}$	V
$I_{IH}$	Input High Current	INAx, INB, nINAx, nINB			150			150			150	$\mu A$
$I_{IL}$	Input Low Current	INAx, INB	-10			-10			-10			$\mu A$
		nINAx, nINB	-150			-150			-150			$\mu A$

NOTE: Input and output parameters vary 1:1 with  $V_{CC}$ .

NOTE 1: Common mode voltage is defined as  $V_{IH}$ .

NOTE 2: For single-ended applications, the maximum input voltage for INAx, nINAx and INB, nINB is  $V_{CC} + 0.3V$ .

## AC Electrical Characteristics

**Table 5. AC Characteristics,  $V_{CC} = 2.375V$  TO  $3.465V$ ,  $V_{EE} = 0V$ ,  $T_A = -40^{\circ}C$  to  $85^{\circ}C$**

Symbol	Parameter	Test Conditions	Minimum	Typical	Maximum	Units
$f_{OUT}$	Output Frequency				2.5	GHz
$t_{PD}$	Propagation Delay; NOTE 1	INAx to QB	225		525	ps
		INB to QAx	200		475	ps
		INAx to QAx	250		550	ps
$t_{sk(pp)}$	Part-to-Part Skew; NOTE 2, 3				275	ps
$f_{jit}$	Buffer Additive Phase Jitter, RMS; refer to Additive Phase Jitter Section	$f = 622.08MHz$ , 12kHz – 20MHz		27		fs
$t_R / t_F$	Output Rise/Fall Time	20% to 80%	50		325	ps
MUX_ISOLATION	MUX Isolation; NOTE 4	$f = 622.08MHz$ ; Input Peak-to-Peak = 800mV		61		dB

NOTE: Electrical parameters are guaranteed over the specified ambient operating temperature range, which is established when the device is mounted in a test socket with maintained transverse airflow greater than 500 lfm. The device will meet specifications after thermal equilibrium has been reached under these conditions.

NOTE: All parameters measured at  $\leq 1.3GHz$  unless otherwise noted.

NOTE 1: Measured from the differential input crossing point to the differential output crossing point.

NOTE 2: Defined as skew between outputs on different devices operating at the same supply voltage, same temperature, same frequency and with equal load conditions. Using the same type of inputs on each device, the outputs are measured at the differential cross points.

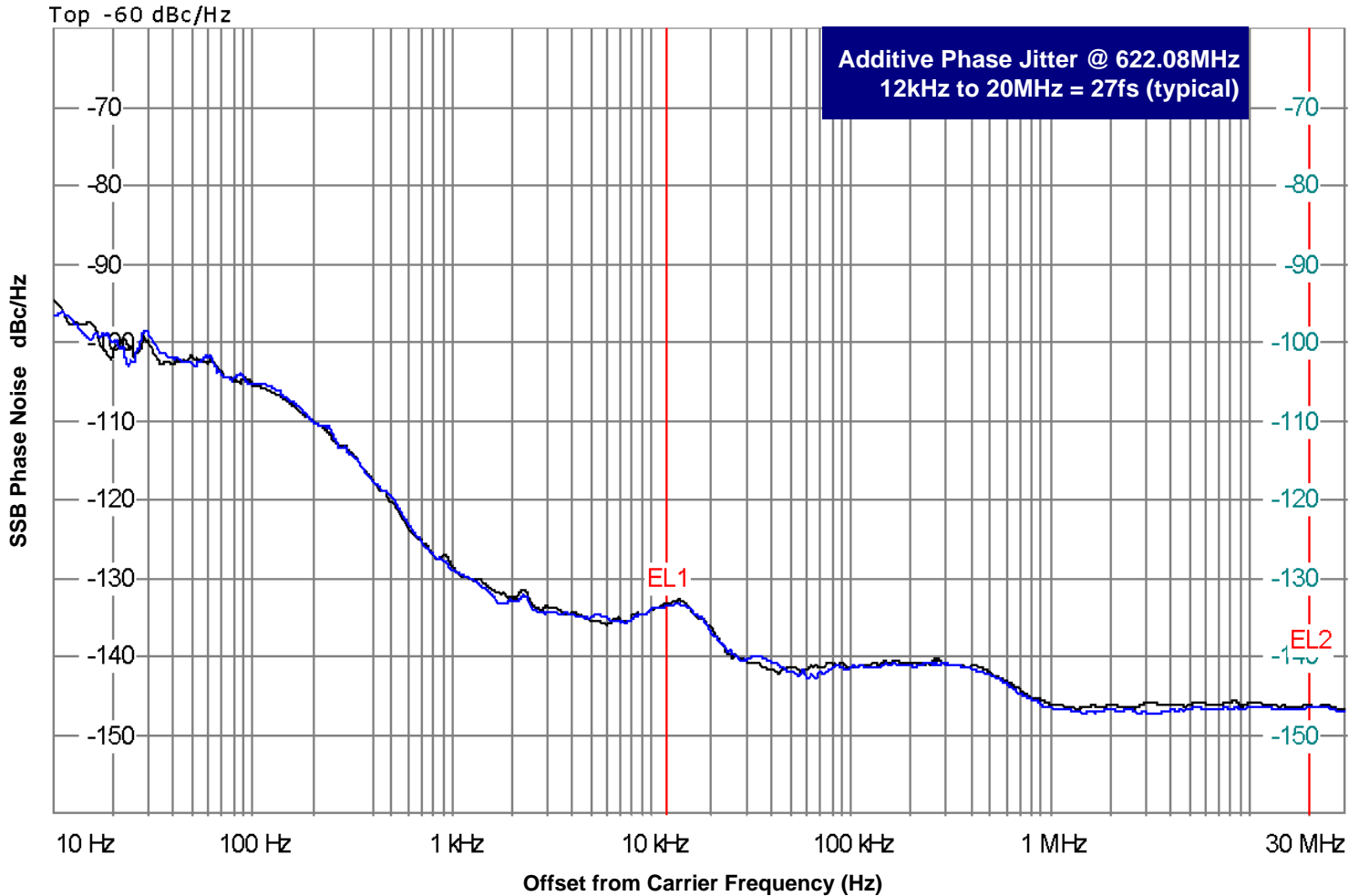
NOTE 3: This parameter is defined in accordance with JEDEC Standard 65.

NOTE 4: Q, nQ output measured differentially. See MUX Isolation Diagram in Parameter Measurement Information section.

## Additive Phase Jitter

The spectral purity in a band at a specific offset from the fundamental compared to the power of the fundamental is called the ***dBc Phase Noise***. This value is normally expressed using a Phase noise plot and is most often the specified plot in many applications. Phase noise is defined as the ratio of the noise power present in a 1Hz band at a specified offset from the fundamental frequency to the power value of the fundamental. This ratio is expressed in decibels (dBm) or a ratio of the power in the 1Hz band

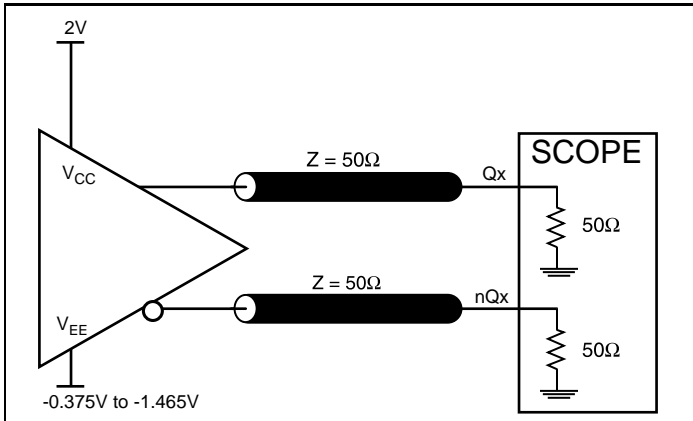
to the power in the fundamental. When the required offset is specified, the phase noise is called a ***dBc*** value, which simply means dBm at a specified offset from the fundamental. By investigating jitter in the frequency domain, we get a better understanding of its effects on the desired application over the entire time record of the signal. It is mathematically possible to calculate an expected bit error rate given a phase noise plot.



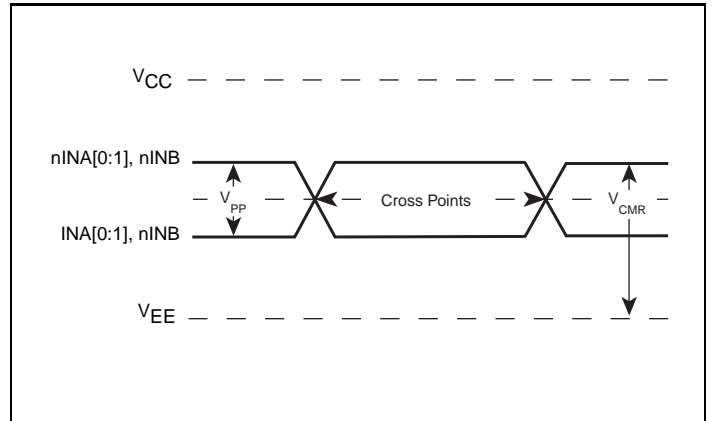
As with most timing specifications, phase noise measurements have issues relating to the limitations of the equipment. Often the noise floor of the equipment is higher than the noise floor of the device. This is illustrated above. The device meets the noise floor of what is shown, but can actually be lower. The phase noise is dependent on the input source and measurement equipment.

Rohde & Schwarz SMA100A Signal Generator 9kHz – 6GHz as external input to Agilent 8133A 3GHz Pulse Generator.

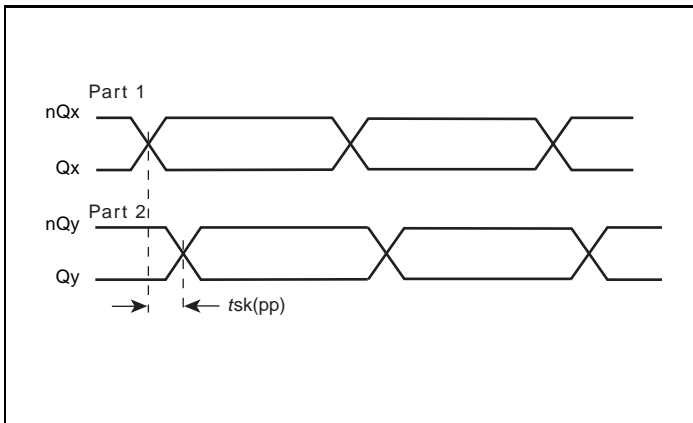
## Parameter Measurement Information



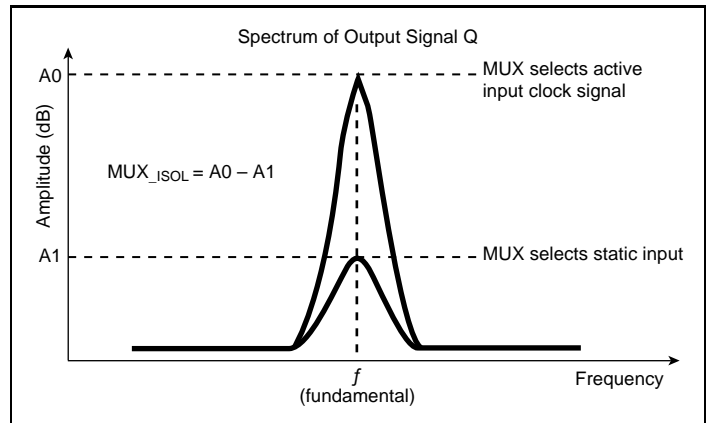
LVPECL Output Load AC Test Circuit



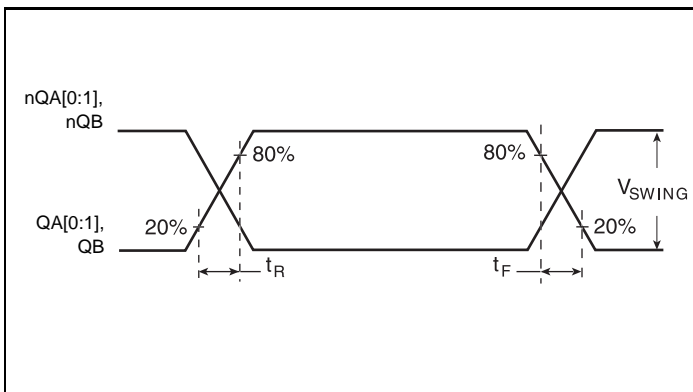
Differential Input Level



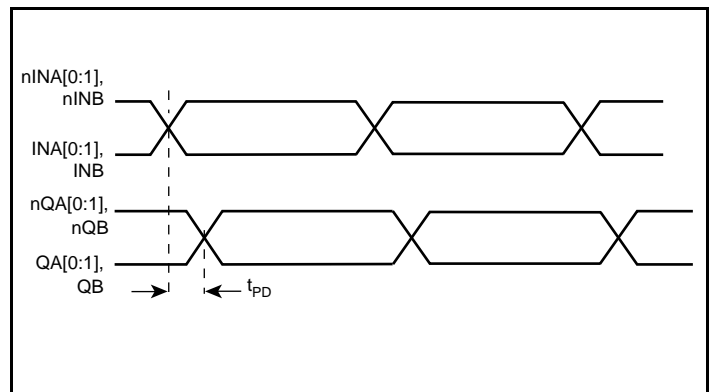
Part-to-Part Skew



MUX Isolation



Output Rise/Fall Time



Propagation Delay



## Applications Information

### Wiring the Differential Input to Accept Single-Ended Levels

Figure 1 shows how a differential input can be wired to accept single ended levels. The reference voltage  $V_{REF} = V_{CC}/2$  is generated by the bias resistors R1 and R2. The bypass capacitor (C1) is used to help filter noise on the DC bias. This bias circuit should be located as close to the input pin as possible. The ratio of R1 and R2 might need to be adjusted to position the  $V_{REF}$  in the center of the input voltage swing. For example, if the input clock swing is 2.5V and  $V_{CC} = 3.3V$ , R1 and R2 value should be adjusted to set  $V_{REF}$  at 1.25V. The values below are for when both the single ended swing and  $V_{CC}$  are at the same voltage. This configuration requires that the sum of the output impedance of the driver ( $R_o$ ) and the series resistance ( $R_s$ ) equals the transmission line impedance. In addition, matched termination at the input will attenuate the signal in half. This can be done in one of two ways. First, R3 and R4 in parallel should equal the transmission line

impedance. For most 50Ω applications, R3 and R4 can be 100Ω. The values of the resistors can be increased to reduce the loading for slower and weaker LVCMOS driver. When using single-ended signaling, the noise rejection benefits of differential signaling are reduced. Even though the differential input can handle full rail LVCMOS signaling, it is recommended that the amplitude be reduced. The datasheet specifies a lower differential amplitude, however this only applies to differential signals. For single-ended applications, the swing can be larger, however  $V_{IL}$  cannot be less than -0.3V and  $V_{IH}$  cannot be more than  $V_{CC} + 0.3V$ . Though some of the recommended components might not be used, the pads should be placed in the layout. They can be utilized for debugging purposes. The datasheet specifications are characterized and guaranteed by using a differential signal.

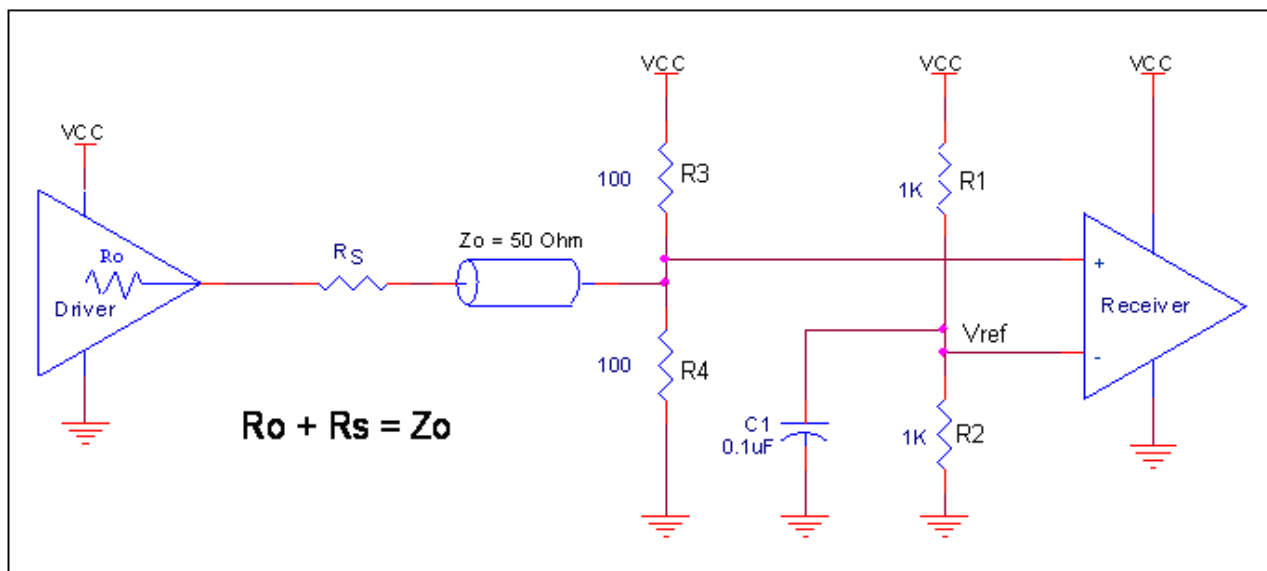


Figure 1. Recommended Schematic for Wiring a Differential Input to Accept Single-ended Levels

### Recommendations for Unused Input and Output Pins

#### Inputs:

##### IN/nIN Inputs

For applications not requiring the use of the differential input, both  $IN_x$  and  $nIN_x$  can be left floating. Though not required, but for additional protection, a 1kΩ resistor can be tied from  $IN_x$  to ground.

##### LVCMOS Control Pins

All control pins have internal pulldowns; additional resistance is not required but can be added for additional protection. A 1kΩ resistor can be used.

#### Outputs:

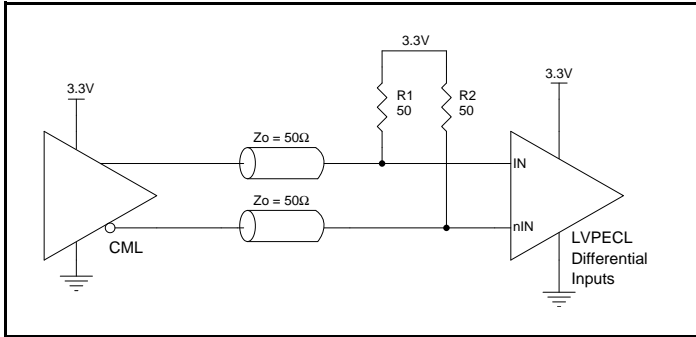
##### LVPECL Outputs

All unused LVPECL outputs can be left floating. We recommend that there is no trace attached. Both sides of the differential output pair should either be left floating or terminated.

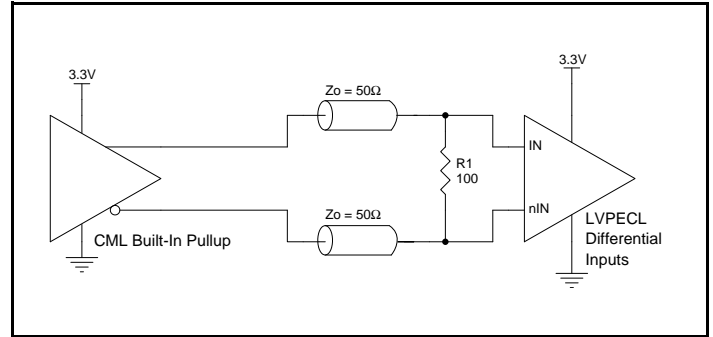
### 3.3V Differential Clock Input Interface

The IN /nIN accepts LVPECL, CML, LVDS and other differential signals. Both  $V_{SWING}$  and  $V_{OH}$  must meet the  $V_{PP}$  and  $V_{CMR}$  input requirements. Figures 2A to 2D show interface examples for the IN /nIN input driven by the most common driver types. The input

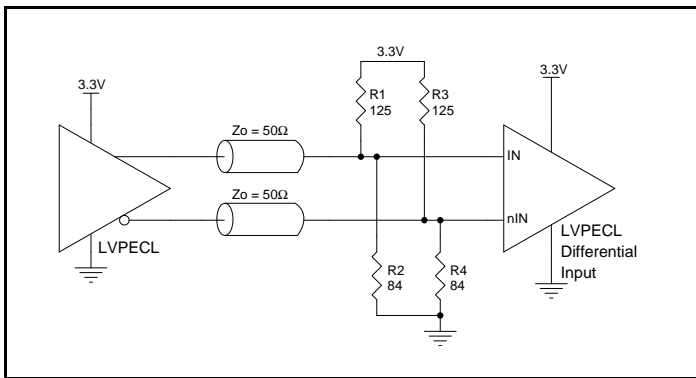
interfaces suggested here are examples only. If the driver is from another vendor, use their termination recommendation. Please consult with the vendor of the driver component to confirm the driver termination requirements.



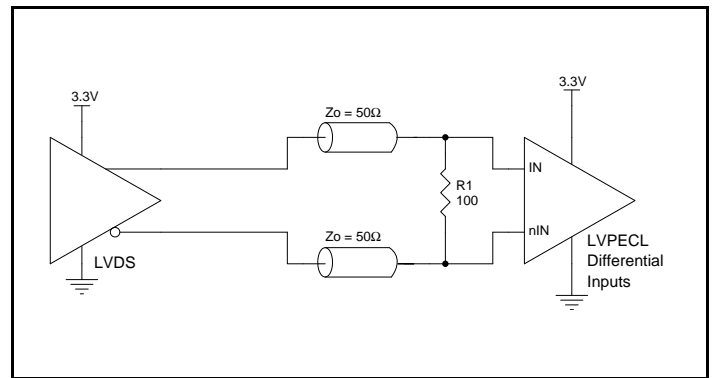
**Figure 2A. IN/nIN Input Driven by an Open Collector CML Driver**



**Figure 2B. IN/nIN Input Driven by a Built-In Pullup CML Driver**



**Figure 2C. IN/nIN Input Driven by a 3.3V LVPECL Driver**

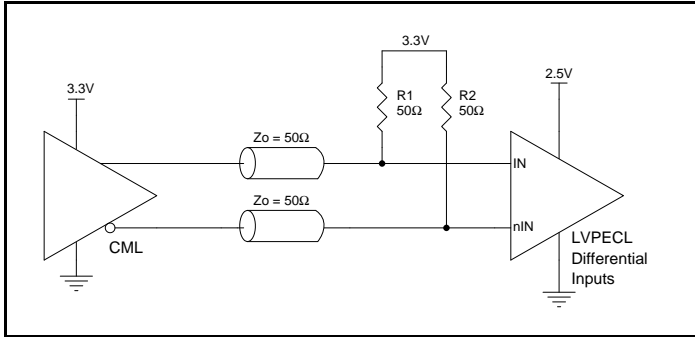


**Figure 2D. IN/nIN Input Driven by a 3.3V LVDS Driver**

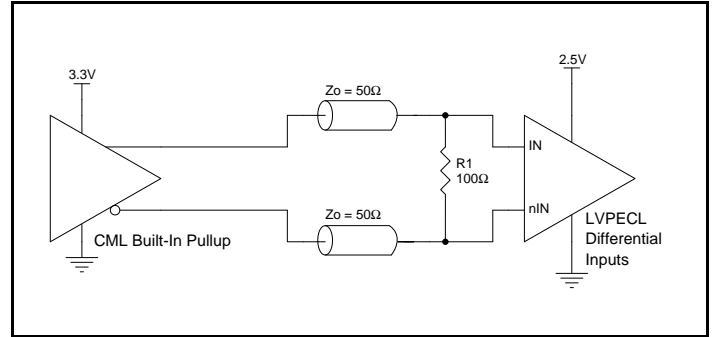
## 2.5V Differential Clock Input Interface

The IN /nIN accepts LVPECL, CML, LVDS and other differential signals. Both  $V_{SWING}$  and  $V_{OH}$  must meet the  $V_{PP}$  and  $V_{CMR}$  input requirements. Figures 3A to 3D show interface examples for the IN /nIN input driven by the most common driver types. The input

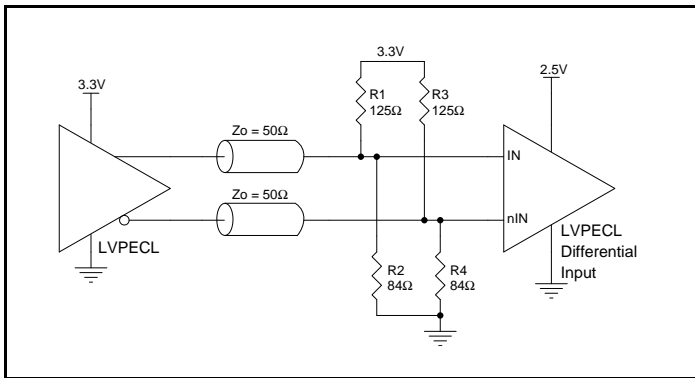
interfaces suggested here are examples only. If the driver is from another vendor, use their termination recommendation. Please consult with the vendor of the driver component to confirm the driver termination requirements.



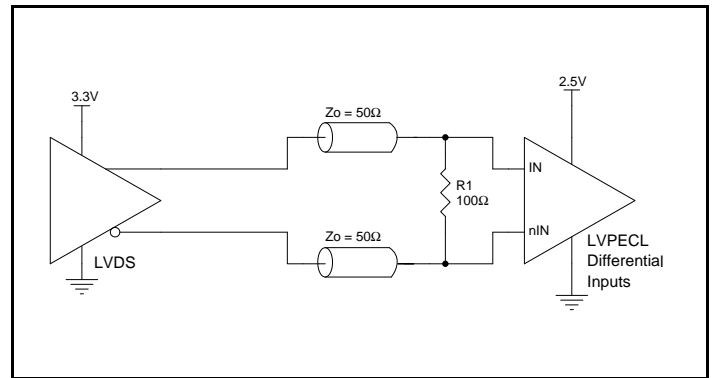
**Figure 3A. IN/nIN Input Driven by an Open Collector CML Driver**



**Figure 3B. IN/nIN Input Driven by a Built-In Pullup CML Driver**



**Figure 3C. IN/nIN Input Driven by a 3.3V LVPECL Driver**



**Figure 3D. IN/nIN Input Driven by a 3.3V LVDS Driver**

## VFQFN EPAD Thermal Release Path

In order to maximize both the removal of heat from the package and the electrical performance, a land pattern must be incorporated on the Printed Circuit Board (PCB) within the footprint of the package corresponding to the exposed metal pad or exposed heat slug on the package, as shown in *Figure 4*. The solderable area on the PCB, as defined by the solder mask, should be at least the same size/shape as the exposed pad/slug area on the package to maximize the thermal/electrical performance. Sufficient clearance should be designed on the PCB between the outer edges of the land pattern and the inner edges of pad pattern for the leads to avoid any shorts.

While the land pattern on the PCB provides a means of heat transfer and electrical grounding from the package to the board through a solder joint, thermal vias are necessary to effectively conduct from the surface of the PCB to the ground plane(s). The land pattern must be connected to ground through these vias. The vias act as “heat pipes”. The number of vias (i.e. “heat pipes”) are

application specific and dependent upon the package power dissipation as well as electrical conductivity requirements. Thus, thermal and electrical analysis and/or testing are recommended to determine the minimum number needed. Maximum thermal and electrical performance is achieved when an array of vias is incorporated in the land pattern. It is recommended to use as many vias connected to ground as possible. It is also recommended that the via diameter should be 12 to 13mils (0.30 to 0.33mm) with 1oz copper via barrel plating. This is desirable to avoid any solder wicking inside the via during the soldering process which may result in voids in solder between the exposed pad/slug and the thermal land. Precautions should be taken to eliminate any solder voids between the exposed heat slug and the land pattern. Note: These recommendations are to be used as a guideline only. For further information, please refer to the Application Note on the Surface Mount Assembly of Amkor’s Thermally/ Electrically Enhance Leadframe Base Package, Amkor Technology.

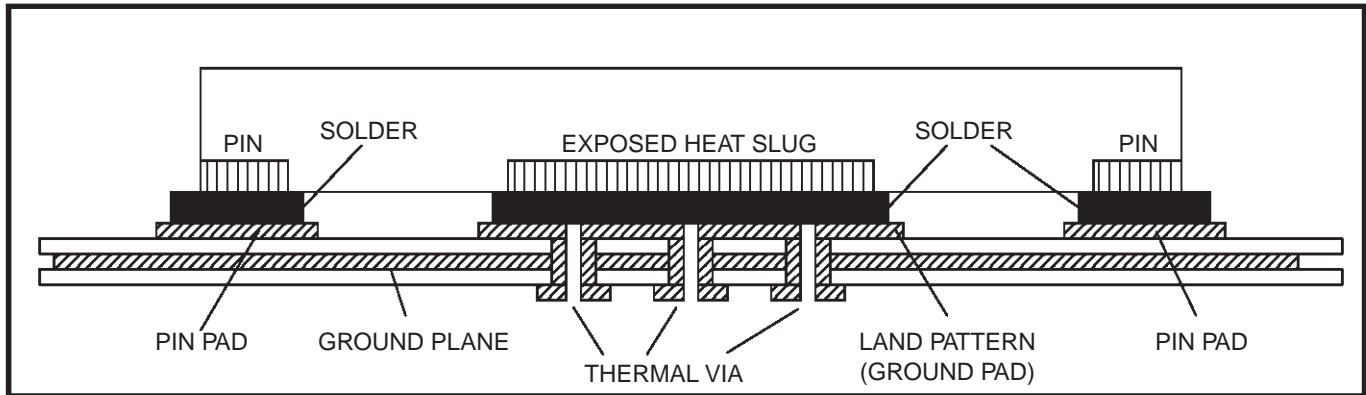


Figure 4. P.C. Assembly for Exposed Pad Thermal Release Path – Side View (drawing not to scale)

### Termination for 3.3V LVPECL Outputs

The clock layout topology shown below is a typical termination for LVPECL outputs. The two different layouts mentioned are recommended only as guidelines.

The differential outputs are low impedance follower outputs that generate ECL/LVPECL compatible outputs. Therefore, terminating resistors (DC current path to ground) or current sources must be used for functionality. These outputs are designed to drive 50Ω

transmission lines. Matched impedance techniques should be used to maximize operating frequency and minimize signal distortion. *Figures 5A and 5B* show two different layouts which are recommended only as guidelines. Other suitable clock layouts may exist and it would be recommended that the board designers simulate to guarantee compatibility across all printed circuit and clock component process variations.

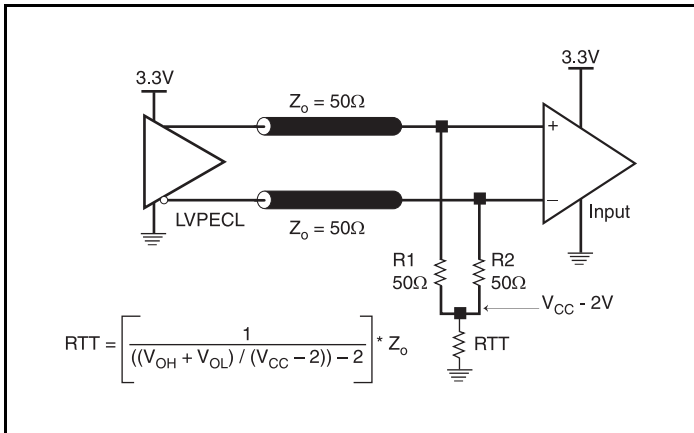


Figure 5A. 3.3V LVPECL Output Termination

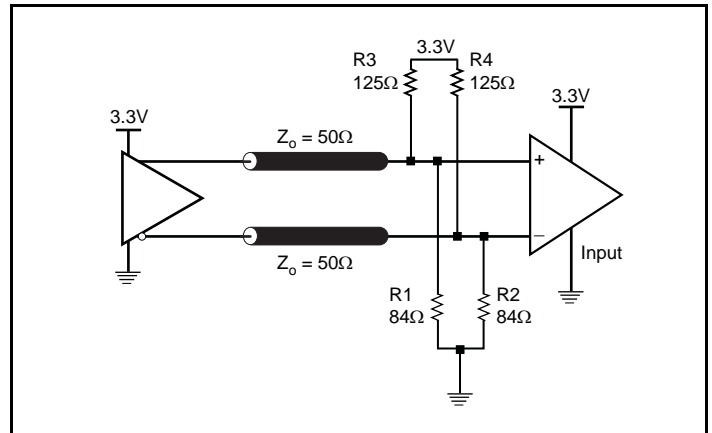


Figure 5B. 3.3V LVPECL Output Termination

## Termination for 2.5V LVPECL Outputs

Figure 6A and Figure 6B show examples of termination for 2.5V LVPECL driver. These terminations are equivalent to terminating  $50\Omega$  to  $V_{CC} - 2V$ . For  $V_{CC} = 2.5V$ , the  $V_{CC} - 2V$  is very close to

ground level. The R3 in Figure 6B can be eliminated and the termination is shown in Figure 6C.

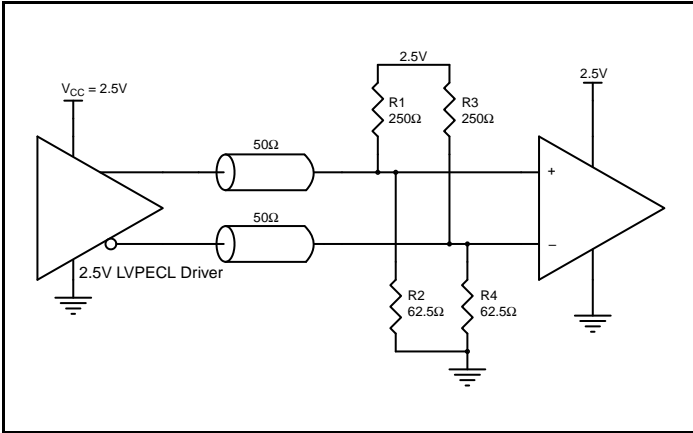


Figure 6A. 2.5V LVPECL Driver Termination Example

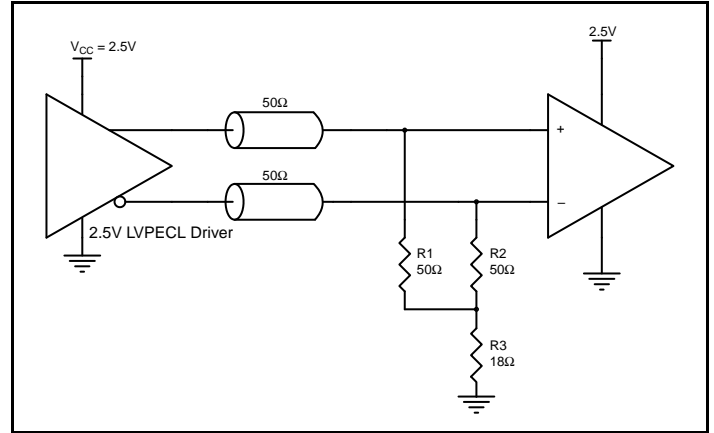


Figure 6B. 2.5V LVPECL Driver Termination Example

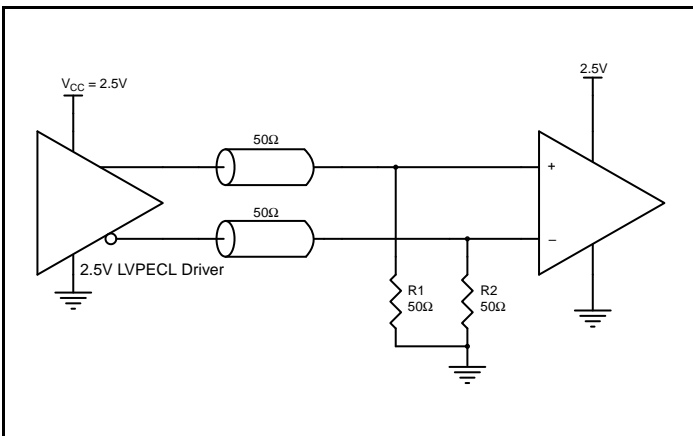


Figure 6C. 2.5V LVPECL Driver Termination Example

## Power Considerations

This section provides information on power dissipation and junction temperature for the 853S54I-01. Equations and example calculations are also provided.

### 1. Power Dissipation.

The total power dissipation for the 853S54I-01 is the sum of the core power plus the power dissipated in the load(s). The following is the power dissipation for  $V_{CC} = 3.465V$ , which gives worst case results.

NOTE: Please refer to Section 3 for details on calculating power dissipated in the load.

- Power (core)<sub>MAX</sub> =  $V_{CC\_MAX} * I_{EE\_MAX} = 3.465V * 45mA = 155.925mW$
- Power (outputs)<sub>MAX</sub> = **30.75mW/Loaded Output pair**  
If all outputs are loaded, the total power is  $3 * 30.75mW = 92.25mW$

**Total Power<sub>MAX</sub>** (3.8V, with all outputs switching) =  $155.925mW + 92.25mW = 248.175mW$

### 2. Junction Temperature.

Junction temperature,  $T_j$ , is the temperature at the junction of the bond wire and bond pad directly affects the reliability of the device. The maximum recommended junction temperature is 125°C. Limiting the internal transistor junction temperature,  $T_j$ , to 125°C ensures that the bond wire and bond pad temperature remains below 125°C.

The equation for  $T_j$  is as follows:  $T_j = \theta_{JA} * Pd\_total + T_A$

$T_j$  = Junction Temperature

$\theta_{JA}$  = Junction-to-Ambient Thermal Resistance

$Pd\_total$  = Total Device Power Dissipation (example calculation is in section 1 above)

$T_A$  = Ambient Temperature

In order to calculate junction temperature, the appropriate junction-to-ambient thermal resistance  $\theta_{JA}$  must be used. Assuming no air flow and a multi-layer board, the appropriate value is 74.7°C/W per Table 6 below.

Therefore,  $T_j$  for an ambient temperature of 85°C with all outputs switching is:

$$85^\circ C + 0.248W * 74.7^\circ C/W = 103.5^\circ C. \text{ This is below the limit of } 125^\circ C.$$

This calculation is only an example.  $T_j$  will obviously vary depending on the number of loaded outputs, supply voltage, air flow and the type of board (multi-layer).

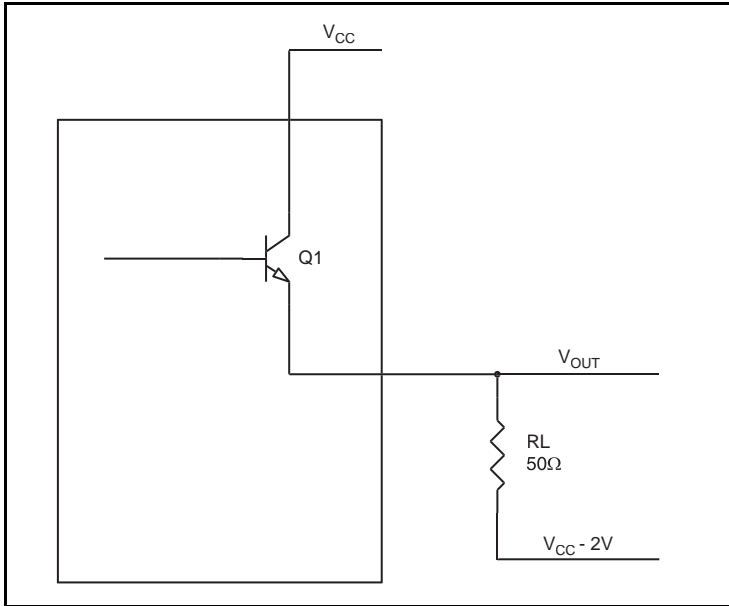
**Table 6. Thermal Resistance  $\theta_{JA}$  for 16 Lead VFQFN Forced Convection**

Meters per Second	$\theta_{JA}$ by Velocity		
	0	1	2.5
Multi-Layer PCB, JEDEC Standard Test Boards	74.7°C/W	65.3°C/W	58.5°C/W

### 3. Calculations and Equations.

The purpose of this section is to calculate the power dissipation for the LVPECL output pair.

LVPECL output driver circuit and termination are shown in *Figure 7*.



**Figure 7. LVPECL Driver Circuit and Termination**

To calculate worst case power dissipation into the load, use the following equations which assume a 50Ω load, and a termination voltage of  $V_{CC} - 2V$ .

- For logic high,  $V_{OUT} = V_{OH\_MAX} = V_{CC\_MAX} - 0.885V$   
 $(V_{CC\_MAX} - V_{OH\_MAX}) = 0.885V$
- For logic low,  $V_{OUT} = V_{OL\_MAX} = V_{CC\_MAX} - 1.67V$   
 $(V_{CC\_MAX} - V_{OL\_MAX}) = 1.67V$

Pd\_H is power dissipation when the output drives high.

Pd\_L is the power dissipation when the output drives low.

$$Pd\_H = [(V_{OH\_MAX} - (V_{CC\_MAX} - 2V))/R_L] * (V_{CC\_MAX} - V_{OH\_MAX}) = [(2V - (V_{CC\_MAX} - V_{OH\_MAX}))/R_L] * (V_{CC\_MAX} - V_{OH\_MAX}) = [(2V - 0.885V)/50\Omega] * 0.885V = \mathbf{19.73mW}$$

$$Pd\_L = [(V_{OL\_MAX} - (V_{CC\_MAX} - 2V))/R_L] * (V_{CC\_MAX} - V_{OL\_MAX}) = [(2V - (V_{CC\_MAX} - V_{OL\_MAX}))/R_L] * (V_{CC\_MAX} - V_{OL\_MAX}) = [(2V - 1.67V)/50\Omega] * 1.67V = \mathbf{11.02mW}$$

$$\text{Total Power Dissipation per output pair} = Pd\_H + Pd\_L = \mathbf{30.75mW}$$



## Reliability Information

**Table 7.  $\theta_{JA}$  vs. Air Flow Table for a 16 Lead VFQFN**

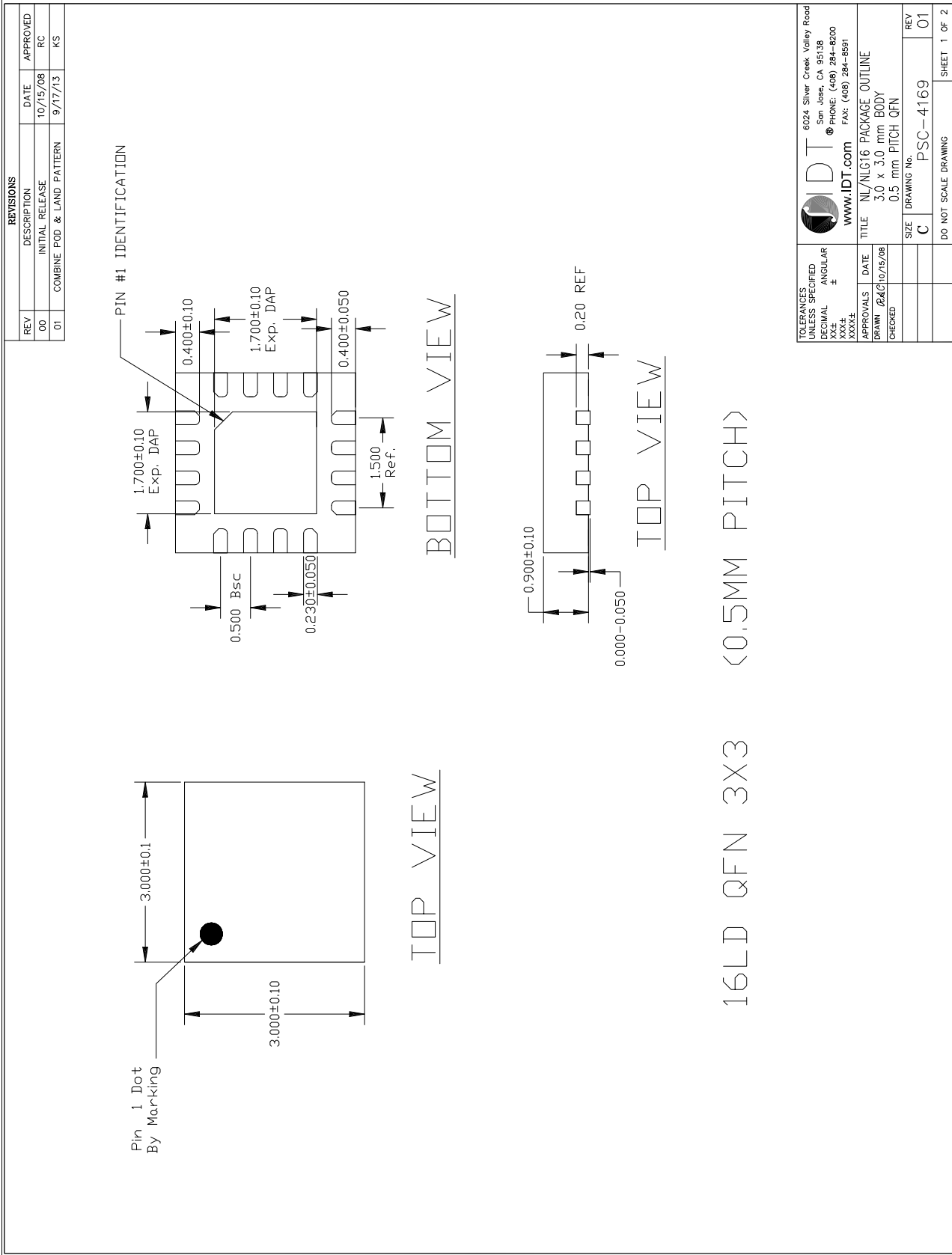
$\theta_{JA}$ by Velocity			
Meters per Second	0	1	2.5
Multi-Layer PCB, JEDEC Standard Test Boards	74.7°C/W	65.3°C/W	58.5°C/W

## Transistor Count

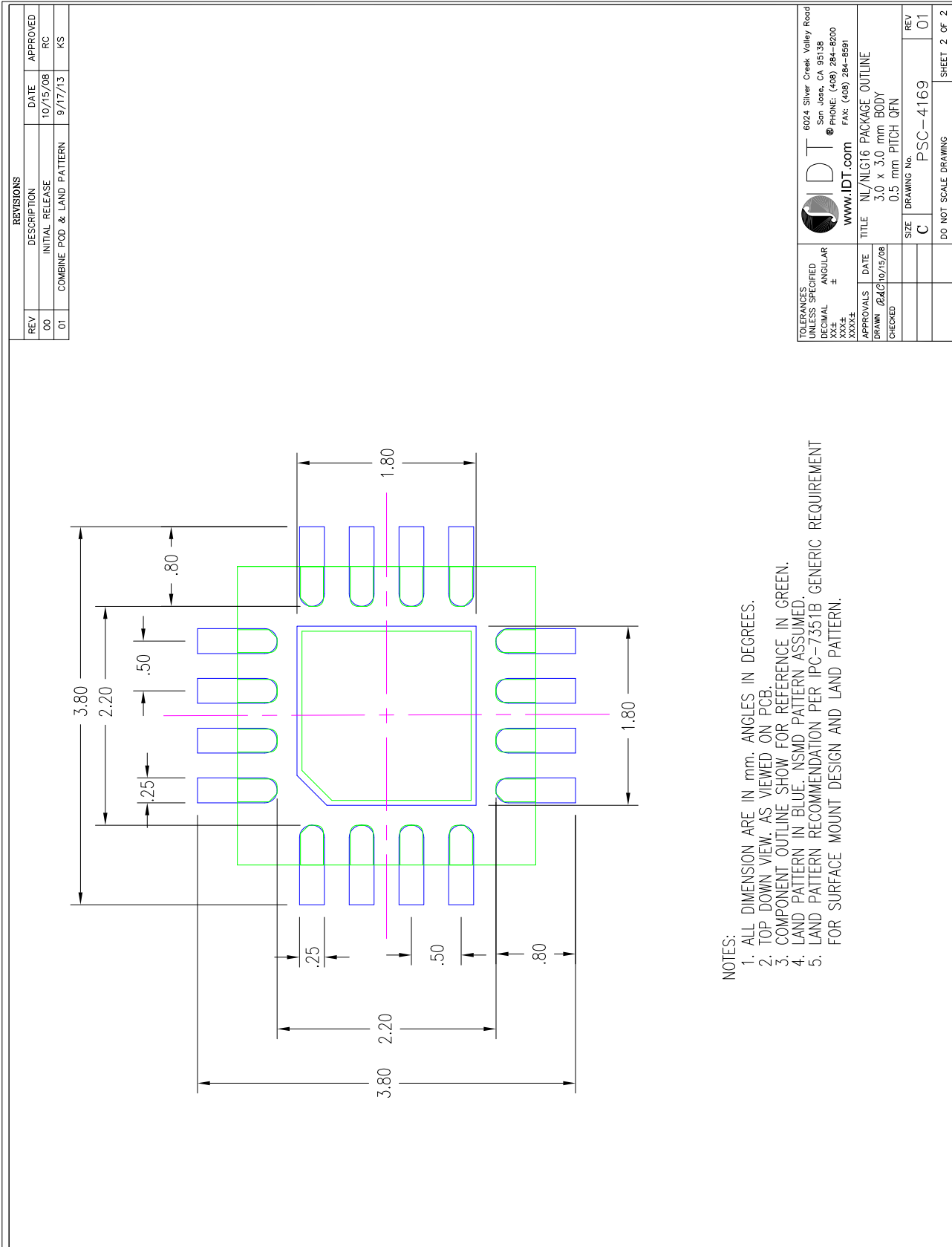
The transistor count for 853S54I-01 is: 304

This device is pin and function compatible and a suggested replacement for 853S54I-01.

Package Drawings – Sheet 1



Package Drawings – Sheet 2



## Ordering Information

Table 9. Ordering Information

Part/Order Number	Marking	Package	Shipping Packaging	Temperature
853S54AKI-01LF	3A01	"Lead-Free" 16 Lead VFQFN	Tube	-40°C to 85°C
853S54AKI-01LFT	3A01	"Lead-Free" 16 Lead VFQFN	Tape & Reel	-40°C to 85°C

## Revision History

Date	Description of Change
June 16, 2017	Updated the package drawings.
March 2, 2017	Page 2, Table 3. Control Input Function Table update. Pages 18-19. Updated ICS package drawing to IDT package drawing. Updated datasheet format.

## IMPORTANT NOTICE AND DISCLAIMER

RENESAS ELECTRONICS CORPORATION AND ITS SUBSIDIARIES (“RENESAS”) PROVIDES TECHNICAL SPECIFICATIONS AND RELIABILITY DATA (INCLUDING DATASHEETS), DESIGN RESOURCES (INCLUDING REFERENCE DESIGNS), APPLICATION OR OTHER DESIGN ADVICE, WEB TOOLS, SAFETY INFORMATION, AND OTHER RESOURCES “AS IS” AND WITH ALL FAULTS, AND DISCLAIMS ALL WARRANTIES, EXPRESS OR IMPLIED, INCLUDING, WITHOUT LIMITATION, ANY IMPLIED WARRANTIES OF MERCHANTABILITY, FITNESS FOR A PARTICULAR PURPOSE, OR NON-INFRINGEMENT OF THIRD-PARTY INTELLECTUAL PROPERTY RIGHTS.

These resources are intended for developers who are designing with Renesas products. You are solely responsible for (1) selecting the appropriate products for your application, (2) designing, validating, and testing your application, and (3) ensuring your application meets applicable standards, and any other safety, security, or other requirements. These resources are subject to change without notice. Renesas grants you permission to use these resources only to develop an application that uses Renesas products. Other reproduction or use of these resources is strictly prohibited. No license is granted to any other Renesas intellectual property or to any third-party intellectual property. Renesas disclaims responsibility for, and you will fully indemnify Renesas and its representatives against, any claims, damages, costs, losses, or liabilities arising from your use of these resources. Renesas' products are provided only subject to Renesas' Terms and Conditions of Sale or other applicable terms agreed to in writing. No use of any Renesas resources expands or otherwise alters any applicable warranties or warranty disclaimers for these products.

(Disclaimer Rev.1.01 Jan 2024)

### Corporate Headquarters

TOYOSU FORESIA, 3-2-24 Toyosu,  
Koto-ku, Tokyo 135-0061, Japan  
[www.renesas.com](http://www.renesas.com)

### Trademarks

Renesas and the Renesas logo are trademarks of Renesas Electronics Corporation. All trademarks and registered trademarks are the property of their respective owners.

### Contact Information

For further information on a product, technology, the most up-to-date version of a document, or your nearest sales office, please visit [www.renesas.com/contact-us/](http://www.renesas.com/contact-us/).