

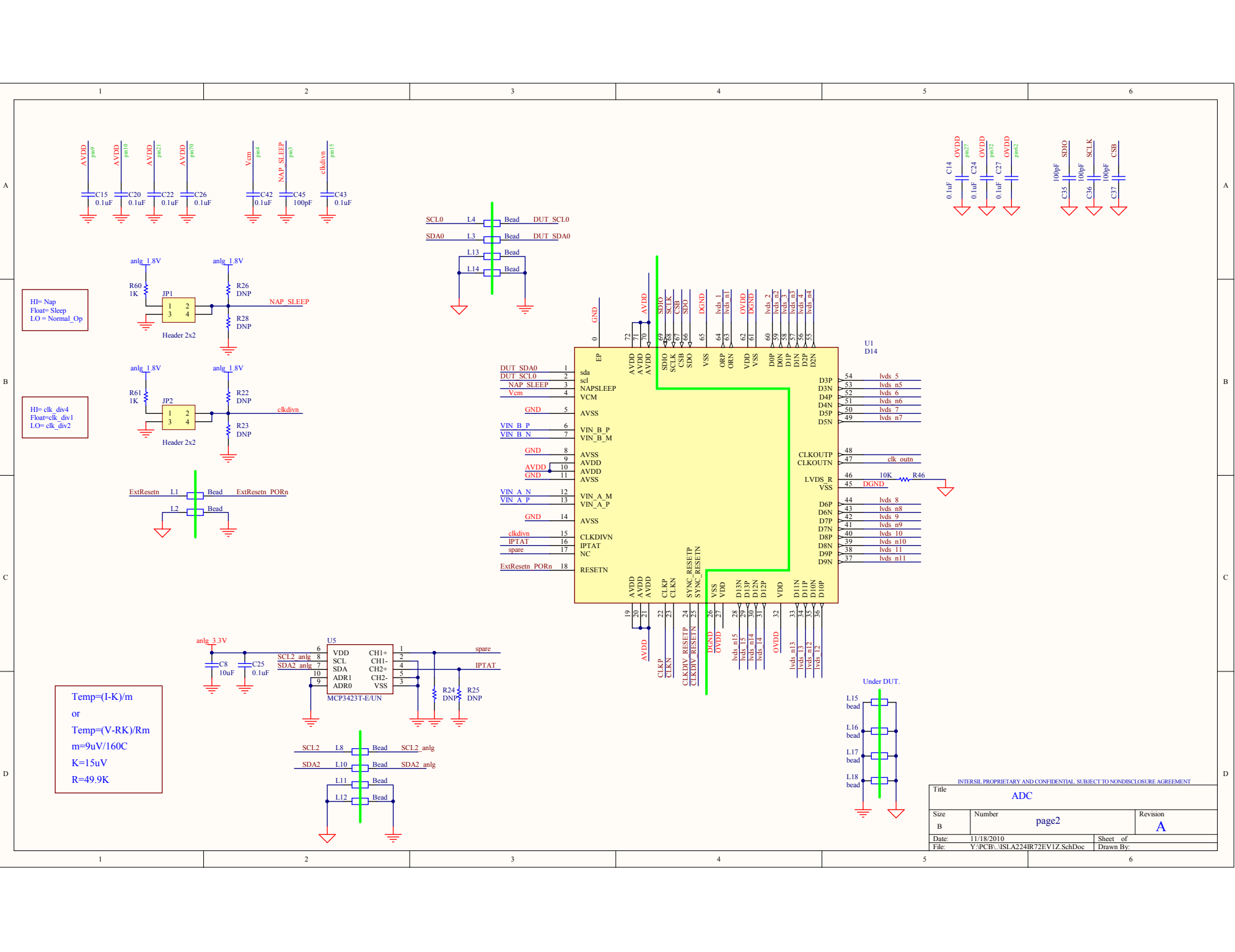
ISL224P25 DUAL INPUT CUSTOMER EVALUATION DAUGHER CARD

-ISL224P25EV1Z

-ISL224P25EV1Z_ ANALOG FRONT-END/CLOCK/SYNCRONOUS RESET

-ISL224P25EV1Z_ IO/LEVEL TRANSLATOR ID/PROM

Title		Title	
Size	Number	Revision	
B	Page 1	A	
Date:	11/18/2010	Sheet of	
File:	Y:\PCB\ISLA224R72EV1Z TITLE.Sch		



HI= Nap
 Float= Sleep
 LO= Normal_Op

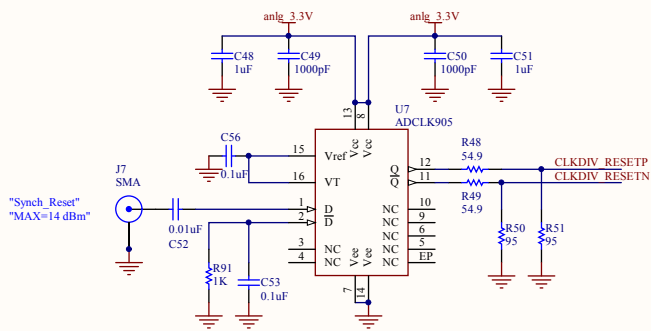
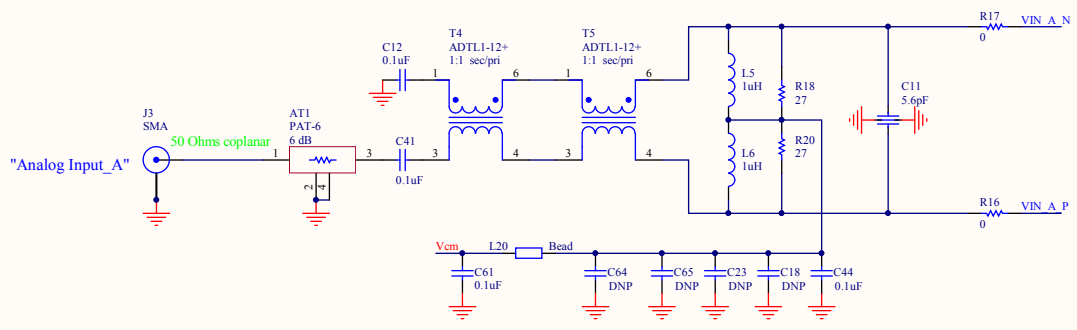
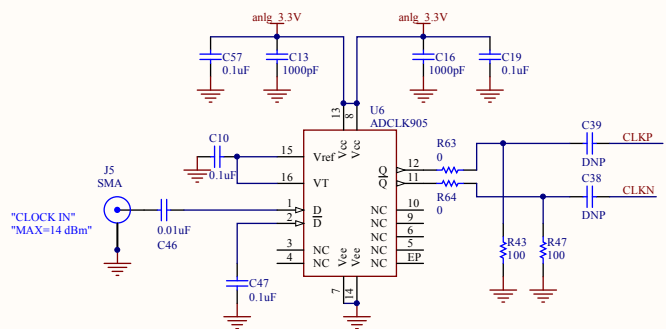
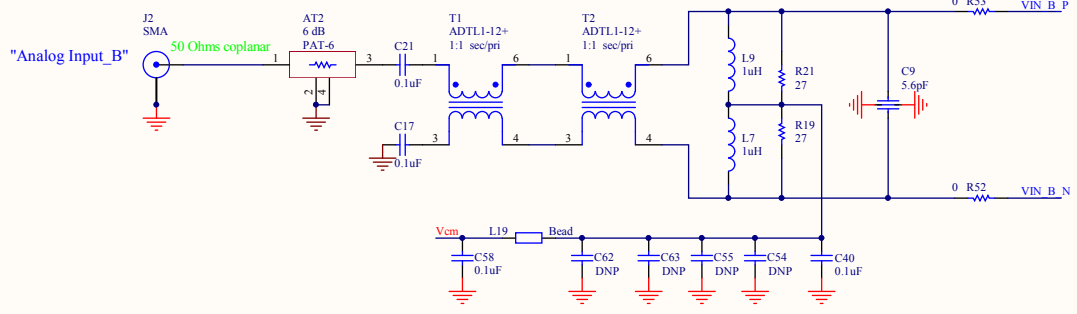
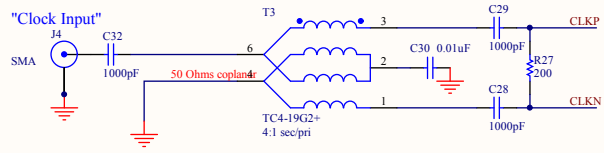
HI= clk_div4
 Float=clk_div1
 LO= clk_div2

Temp=(1-K)/m
 or
 Temp=(V-RK)/Rm
 m=9uV/160C
 K=15uV
 R=49.9K

INTER-SIL PROPRIETARY AND CONFIDENTIAL. SUBJECT TO NONDISCLOSURE AGREEMENT

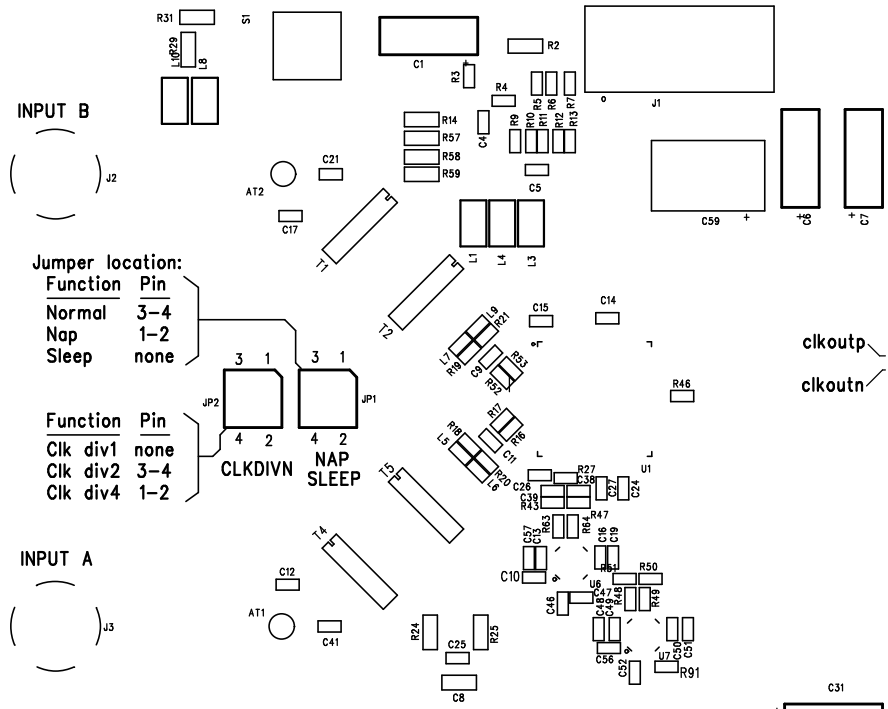
Title		ADC	
Size	Number	page2	Revision
B			A
Date:	11/18/2010	Sheet of	
File:	Y:\PCB\USL\A224R72EV1Z SchDoc	Drawn By:	

	Populate	Depopulate
Sampling Clock	C28, C29	C38, C39
Sine	C38, C39	C28, C29
LVDS		



INTERNSL PROPRIETARY AND CONFIDENTIAL. SUBJECT TO NONDISCLOSURE AGREEMENT

Title		
Analog Front End, Clock, Synch Reset		
Size	Number	Revision
B	page3	A
Date:	11/18/2010	Sheet of
File:	Y:\PCB\USL A224IR72EVIZ Analog Input Rev11.Dwg	



Jumper location:

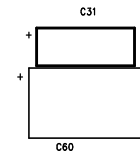
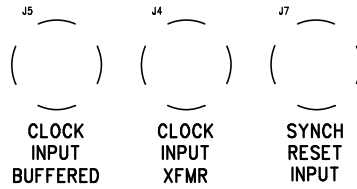
Function	Pin
Normal	3-4
Nap	1-2
Sleep	none

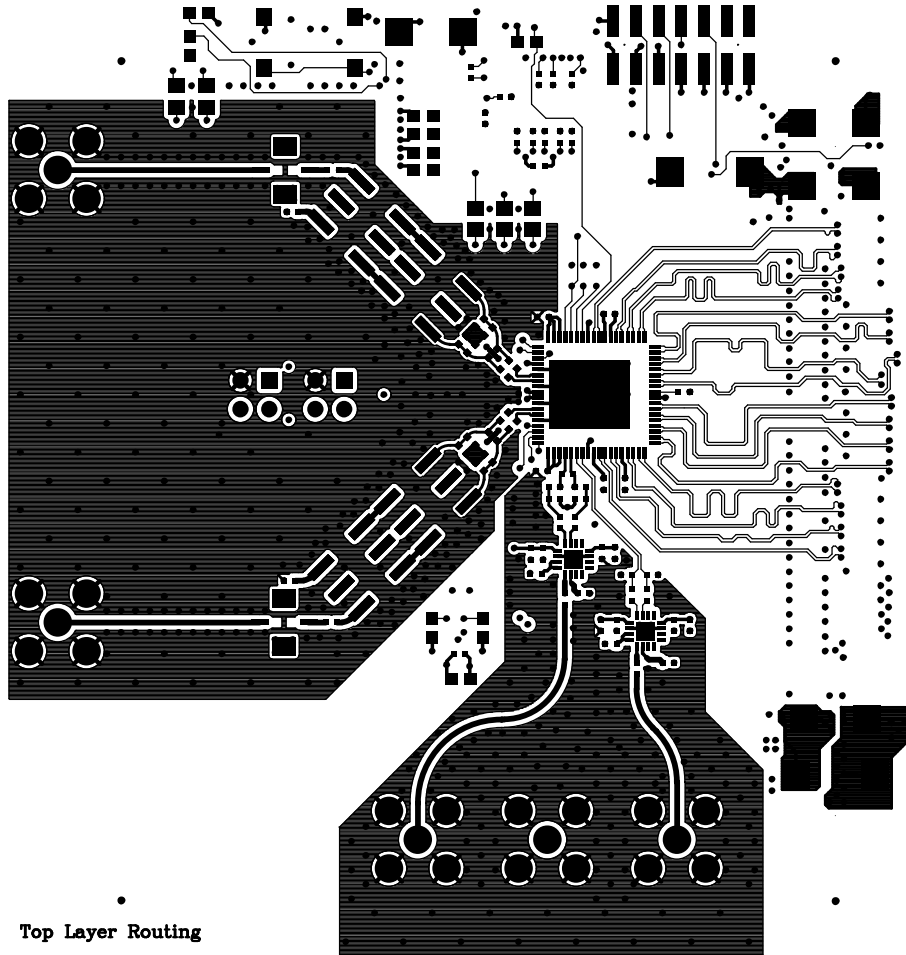
Function	Pin
Clk div1	none
Clk div2	3-4
Clk div4	1-2

intersil

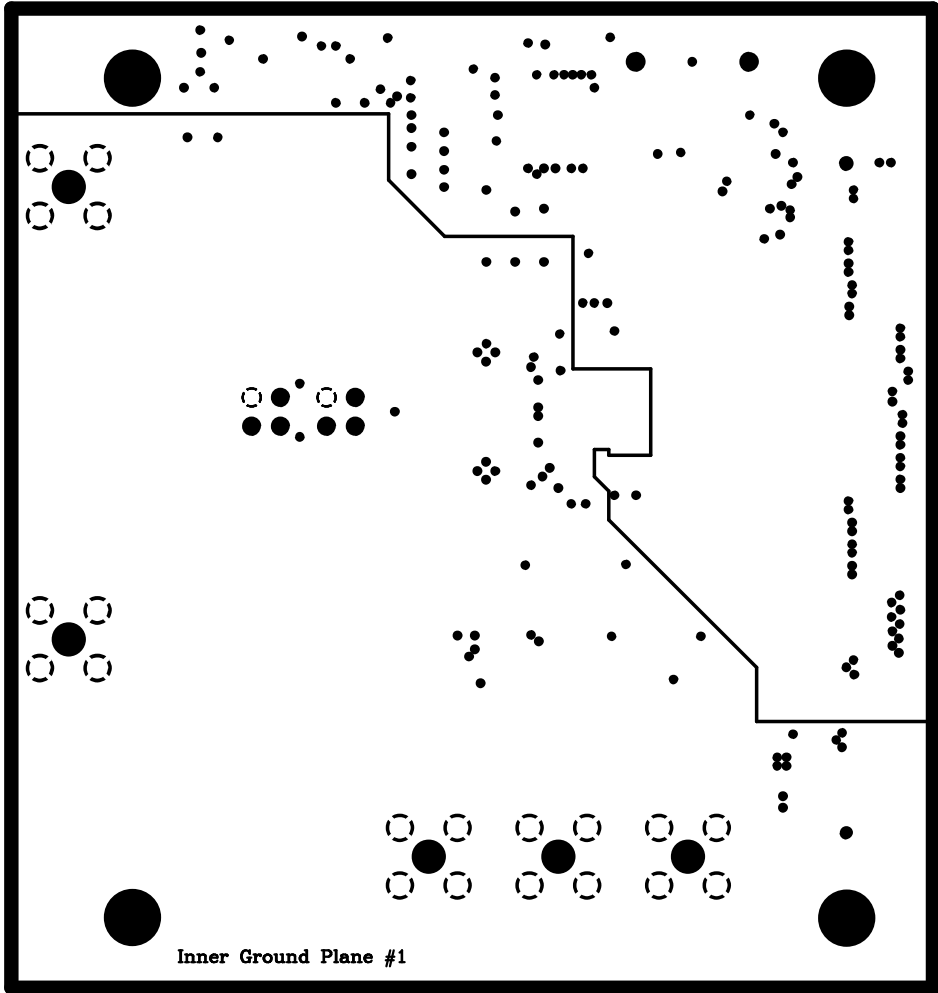
ISLA224IR72EV1Z REV A
ISLA222IR72EV1Z REV A

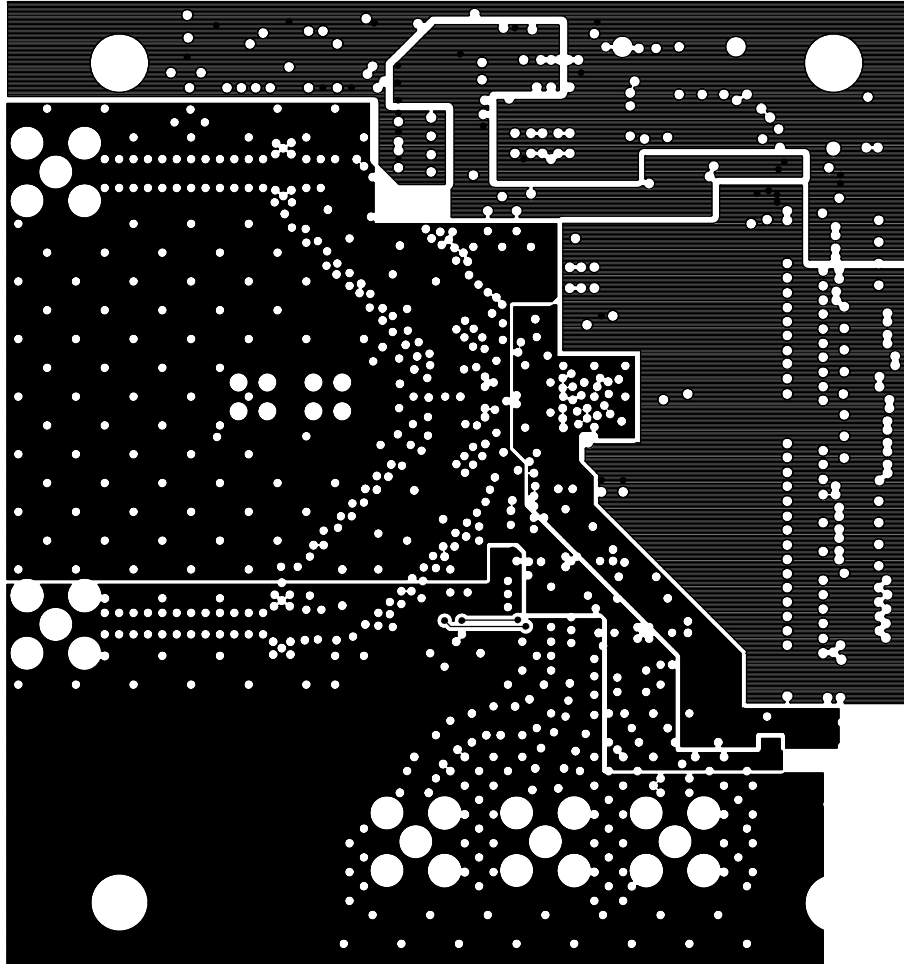
Top Silkscreen



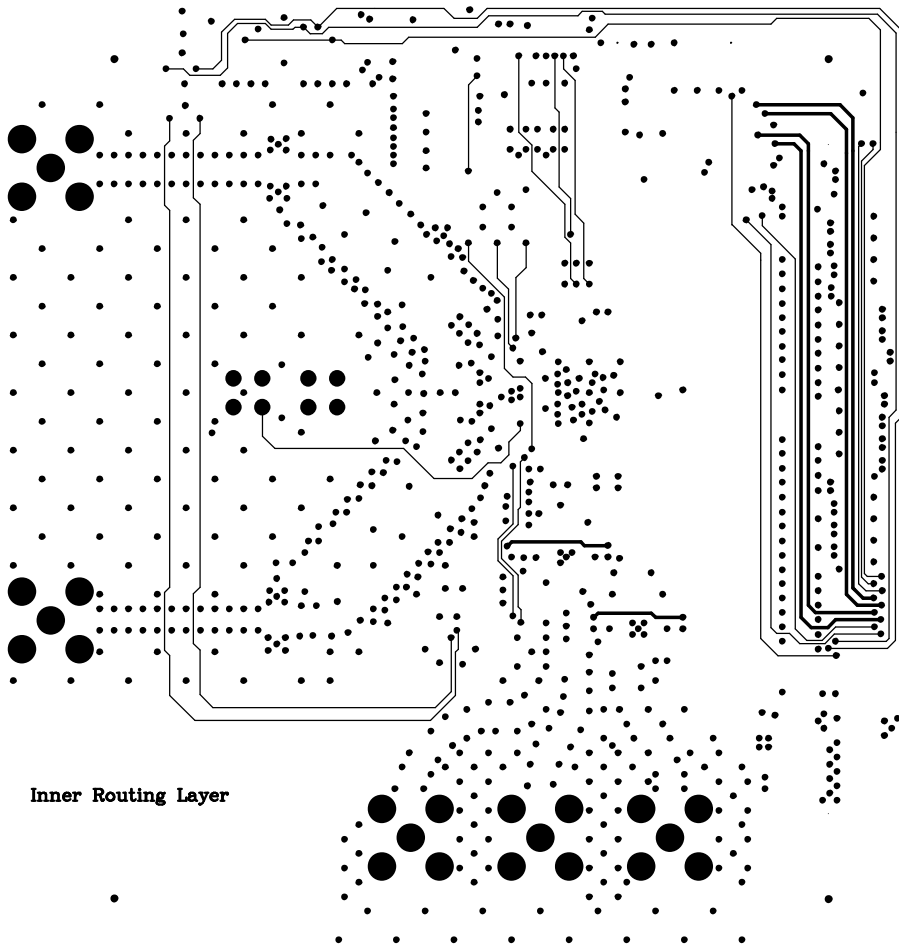


Top Layer Routing

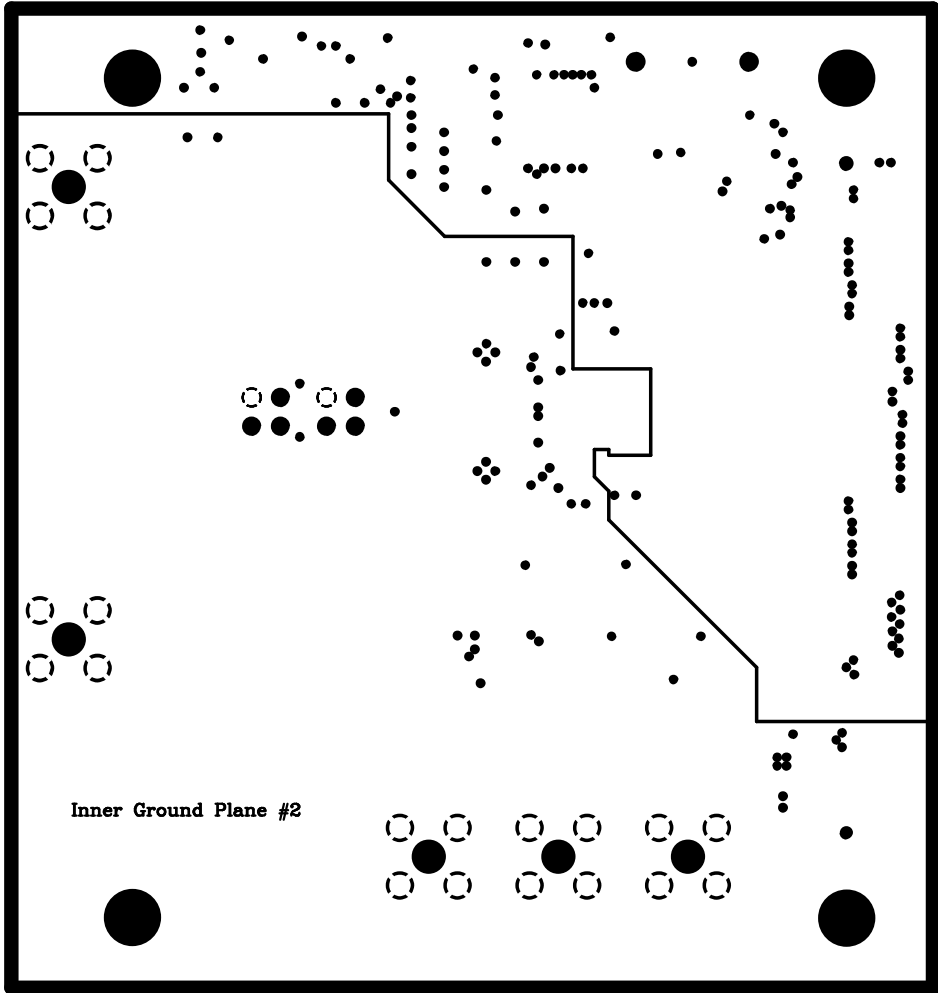


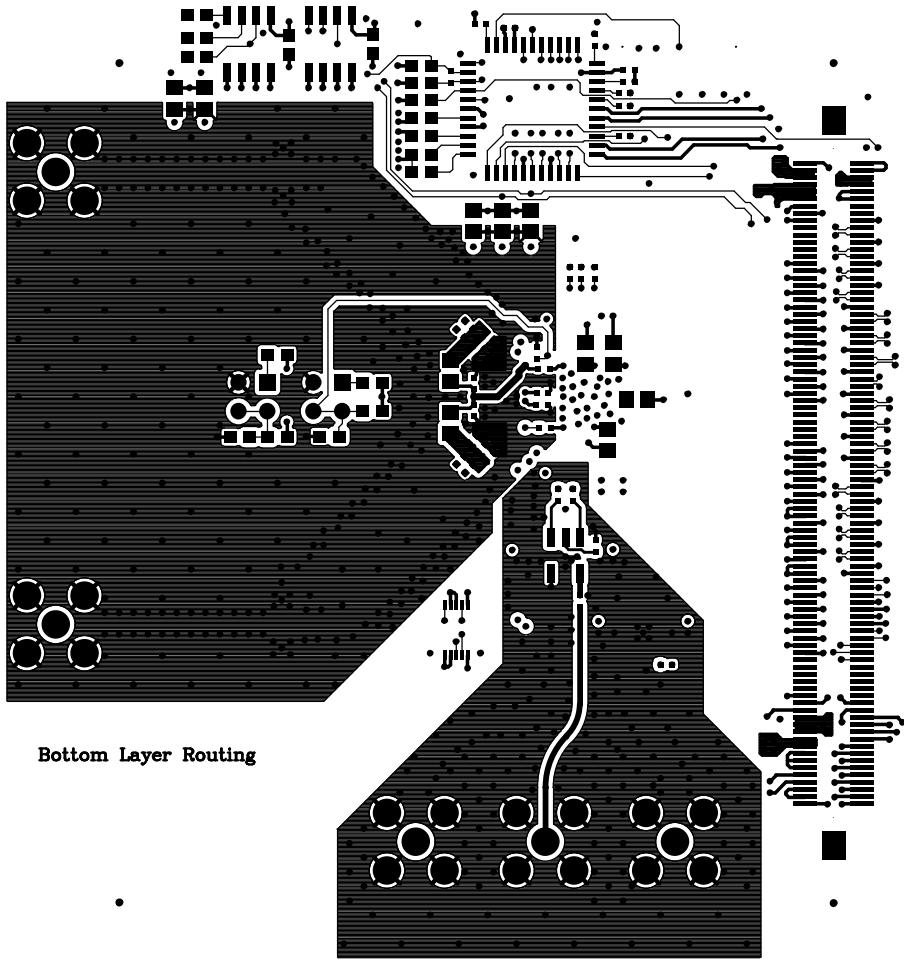


Split Power Plane

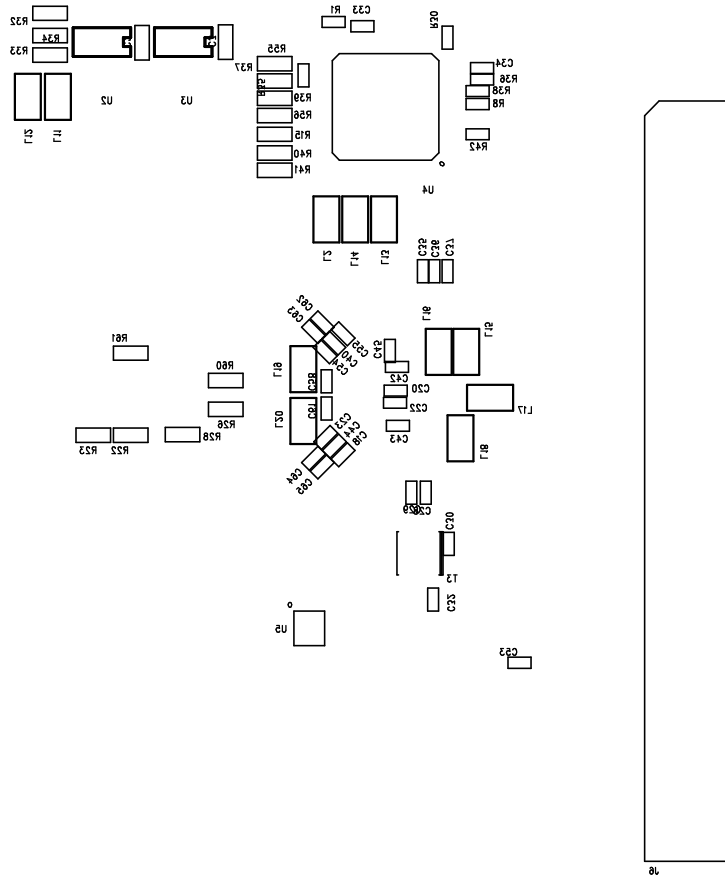


Inner Routing Layer





Bottom Layer Routing



Bottom Silkscreen