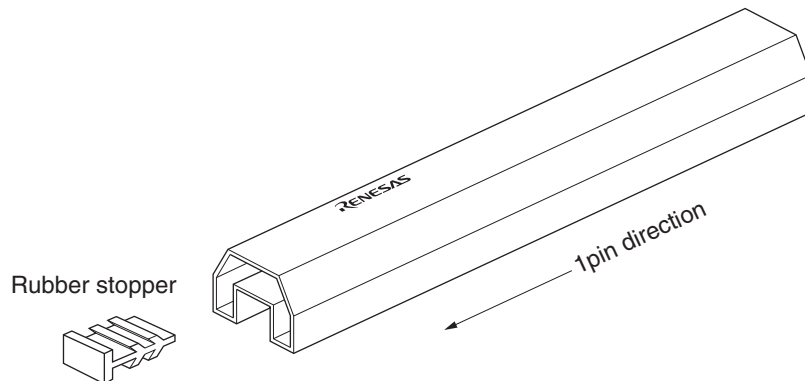


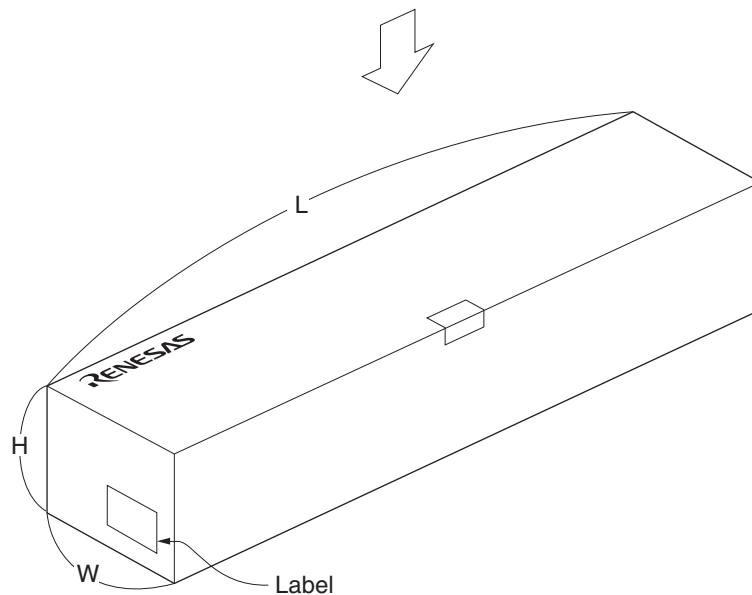
# TUBE PACKING

## 1. CONTAINER

○ Magazine



## 2. INNER BOX



LABEL	PRODUCT NAME, QUANTITY, LOT NUMBER, CLASS
-------	---

CONTAINER			INNER BOX		
Applied Package	Tube	Quantity (pcs)	Dimension (mm) (WxHxL)	Quantity (tube)	Note
20-pin Plastic DIP	MD300-2A	MAX. 18	161x68x530	MAX. 20	Polyethylene bag (20 tubes / bag)
			169x141x536		Aluminium laminated dry bag (20 tubes / bag)