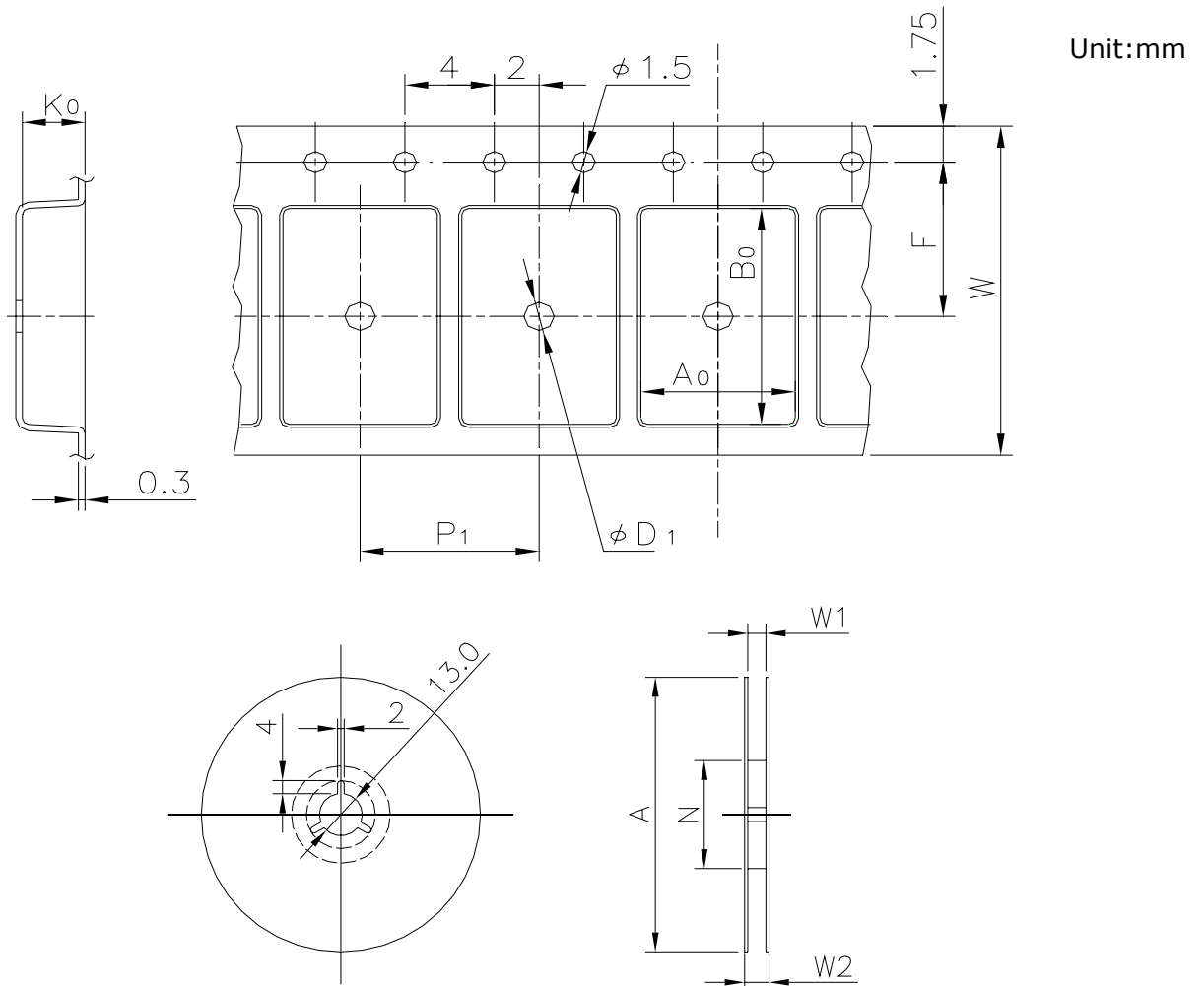


EMBOSSED TAPE

Taping Code	RENESAS Code	Previous Code
TE0804-76P	PXSN0008KA-A	—



Tape Dimensions (mm)	W	8.0
	P_1	4.0
	A_0	3.30
	B_0	3.30
	K_0	0.75
	F	3.5
	D_1	1.05
Reel Dimensions (mm)	A	178
	N	60
	W1	9
	W2	13
Maximum storage No. Transistor/Reel		5000
Material		Carbon PS
Surface resistance		Less than $1 \times 10^{11} \Omega/\square$
Packing form		Non dry pack