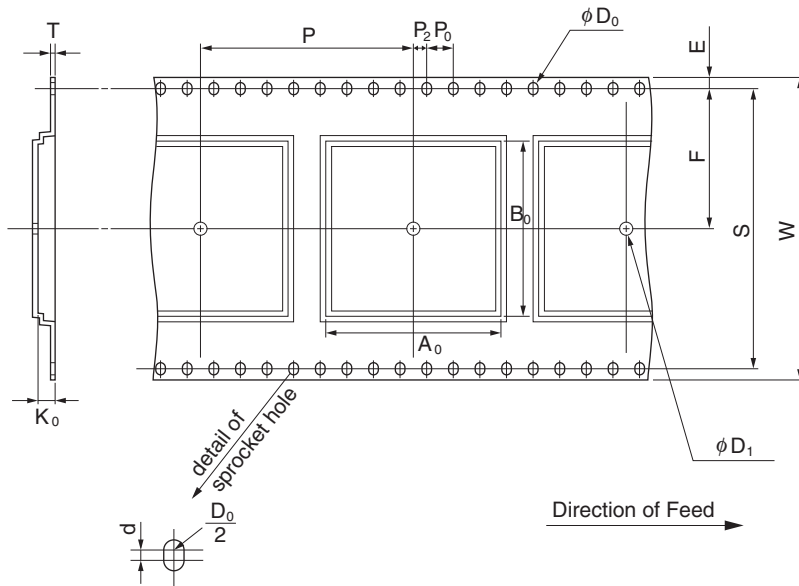


EMBOSS TAPE CONTAINER

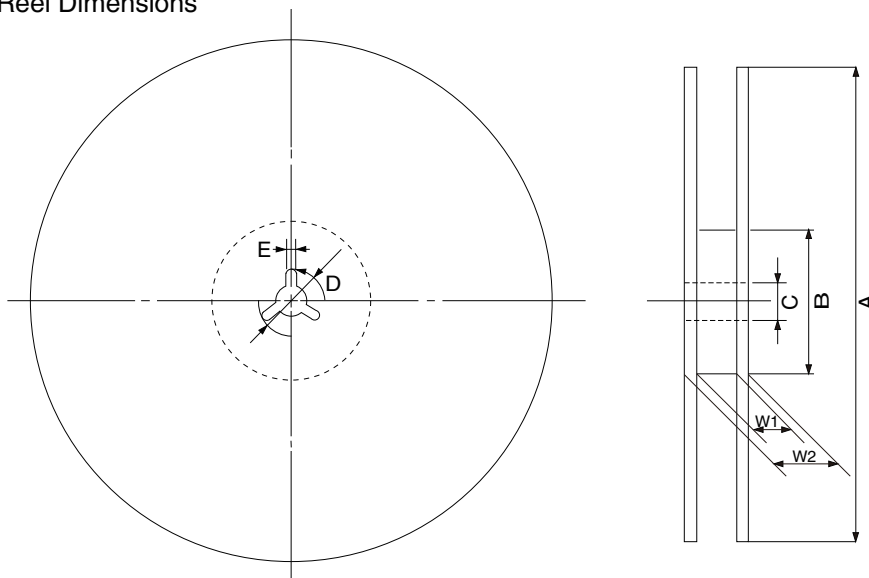
Tape Dimensions



(Unit : mm)

Symbol	Specification
A_0	27.3
B_0	27.3
K_0	2.75
W	44.0 ± 0.3
F	20.2 ± 0.1
E	1.75 ± 0.1
P	32.0 ± 0.1
P_2	2.0 ± 0.1
P_0	4.0 ± 0.1
D_0	$1.5^{+0.1}_0$
T	0.3
D_1	2.0 MIN.
S	40.4 ± 0.1
d	0.20 ± 0.05

Reel Dimensions



(Unit: mm)

Symbol	Specification
A	$\phi 330 \pm 2.0$
B	$\phi 150$
C	$\phi 13.0 \pm 0.2$
D	$\phi 21.0 \pm 0.8$
E	2.0 ± 0.5
W_1	45.5
W_2	49.5

Applied Package	Quantity (pcs)
225-pin Plastic BGA (27x27) (1.53mm thick)	MAX. 400
256-pin Plastic BGA (27x27) (1.53mm thick)	
320-pin Plastic BGA (27x27) (1.53mm thick)	