

RL78/G23-128p Fast Prototyping Board Schematic

Product No: RTK7RLG230CSN000BJ

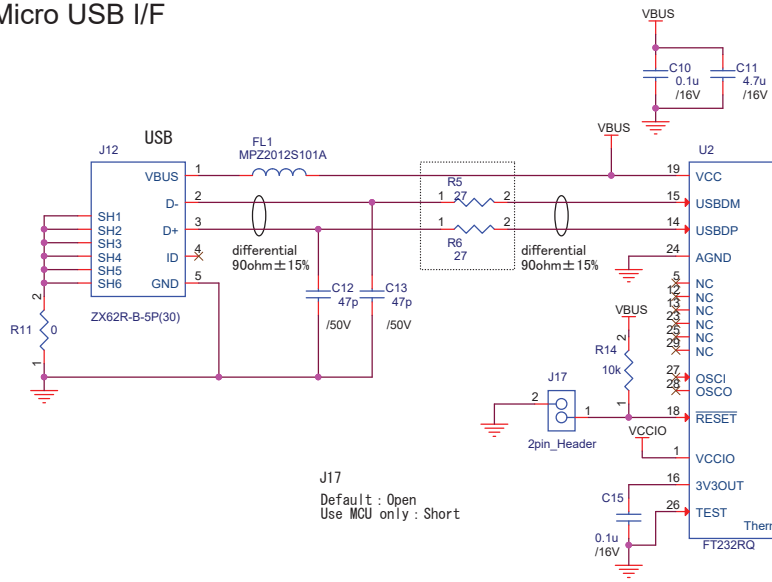
Document No:R20UT4993EJ Rev.1.00

Page1 : CPU, GROVE I/F, Arduino MEGA 2560 I/F, LED, Capacitive Touch Button, SW, CLOCK

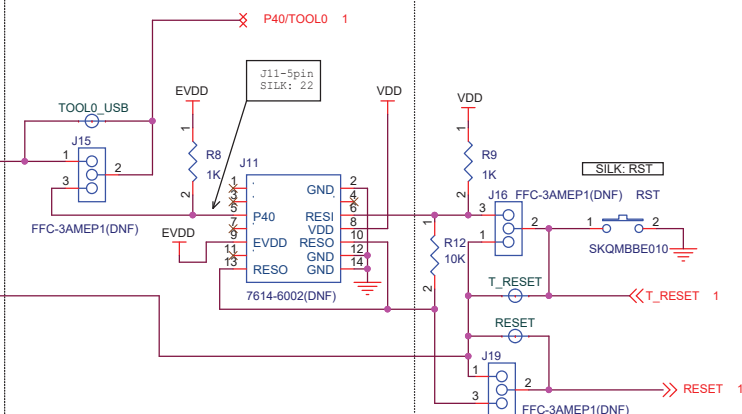
Page2 : POWER, Micro USB I/F, E2 Emulator I/F, Reset, MCU Header, Pmod I/F

*(DNF) : Do not fit(Unmount)

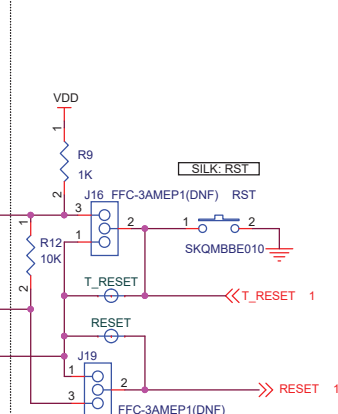
Micro USB I/F



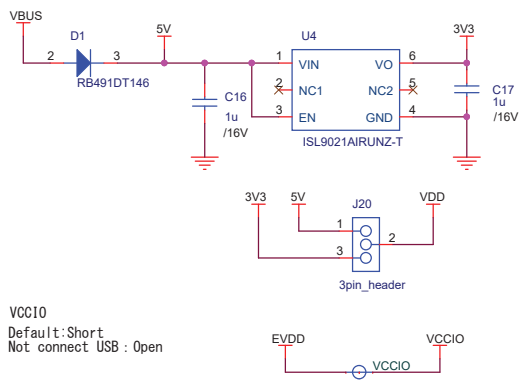
E2 Emulator I/F



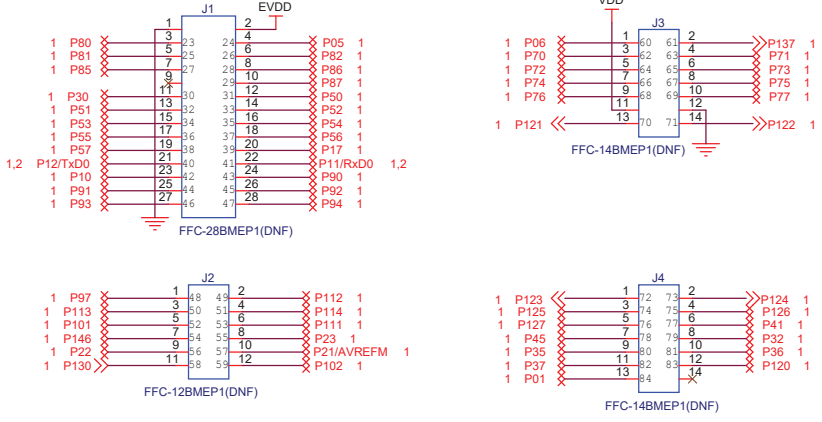
RESET



POWER



MCU header



Pmod™ I/F

