
RX62T

R01AN1787ET0100

Rev.1.00

Aug 01, 2013

3-level Inverter Control with Induction Motor

Introduction

The objective of this application note is to implement RX62T MCU base application board and software control reference for 3-level inverter control with induction motor and to solve the natural point voltage balance problem of 3-level inverter.

Target Device

RX62T

Contents

1. Specifications	2
2. 3-Level Inverter and Space Vector Control.....	3
3. Software Implementation	8
4. Experimental Results	10
5. Conclusion.....	15
6. Reference.....	15

1. Specifications

- Target Device: RX62T
- Natural Point Clamped 3-Level Inverter
- Input voltage: 400 V AC
- Output current: 2.5 A
- Rated power: 1 kW
- Switching frequency: 8 kHz
- Control Mode: V/F
- Speed Range: 140 ~ 1400 rpm
- Induction Motor
- Power: 1 HP/750 W
- Rated speed: 1400 rpm

Fig. 1 shows the block diagram for the implementation of 3-Level Inverter drives. As shown in Fig. 1, RX62T is used to realize the control software of 3-Level Inverter.

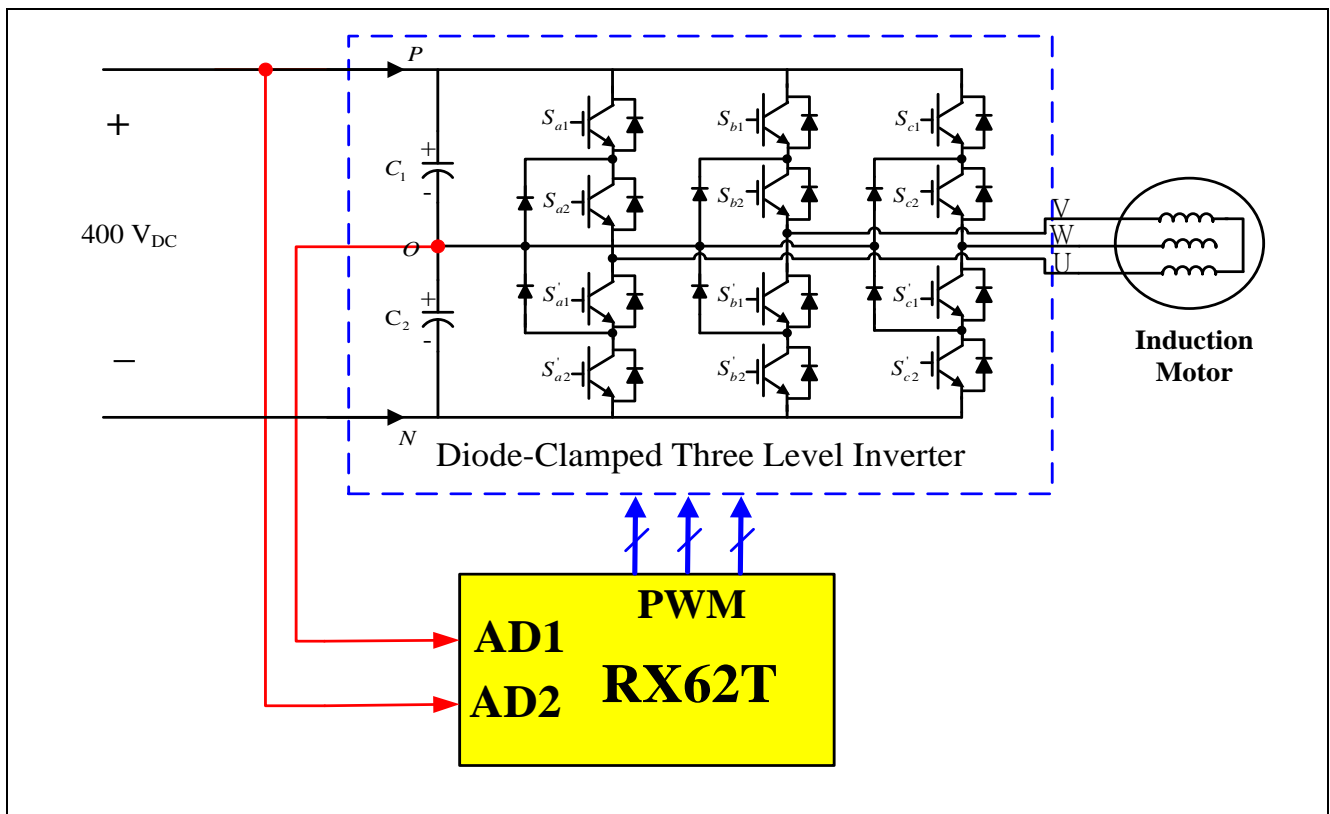


Figure 1 3-level inverter motor control

2. 3-Level Inverter and Space Vector Control

Fig. 2 shows the space vector diagram for three-level inverter control. As shown in Fig. 2, there are 27 switching states which correspond to 19 voltage vectors. Some voltage vectors are with redundant switching states. For example, voltage vector “V1” relates to switching states, “POO” and “ONN”. The inverter output voltages are represented by “P”, “N”, and “O”, respectively as shown in Fig. 3. In Fig. 3, “P” indicates that the output voltage is positive, “N” denotes negative voltage, and “O” represents null voltage. All are referred to the negative DC-link rail. Therefore, “POO” means the switching states for phase “U”, phase ‘V’ and phase “W’ are “P”, “O” and “O”, respectively.

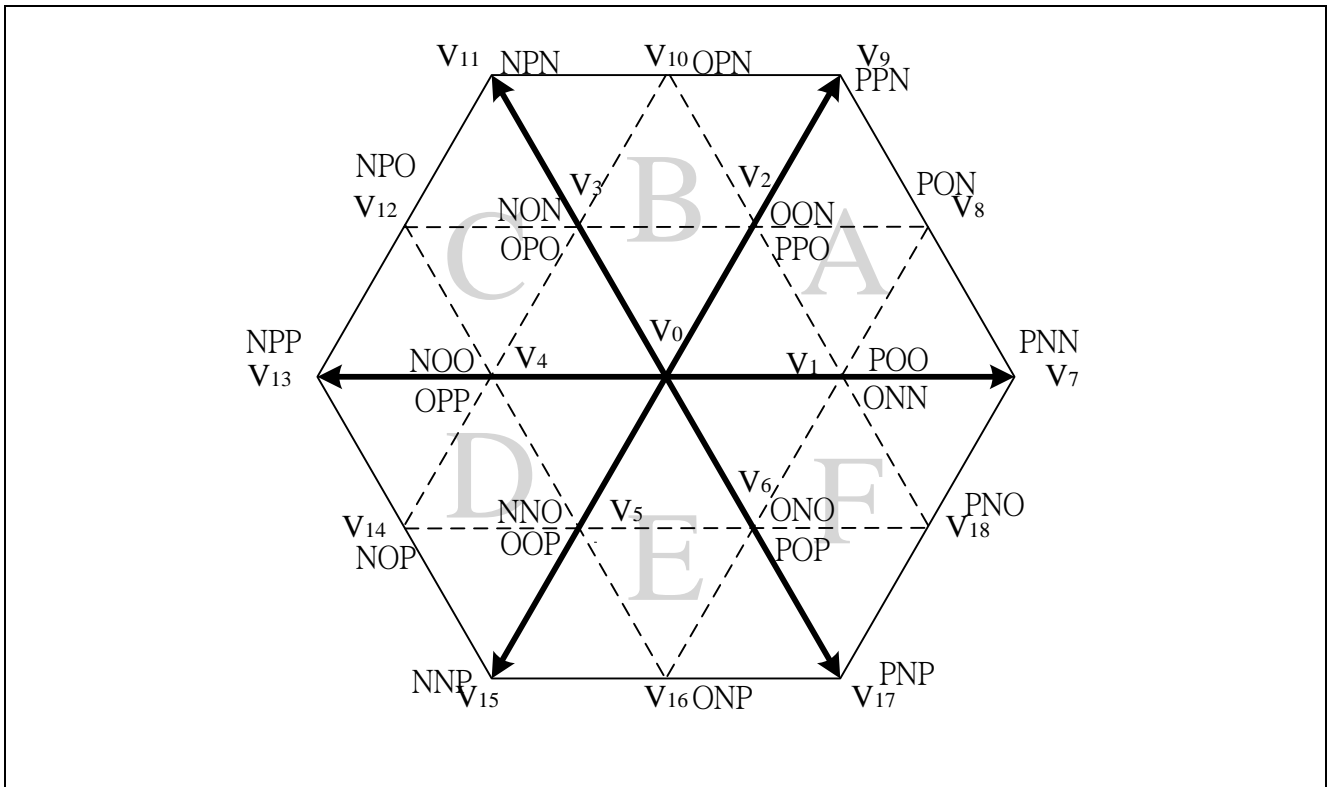


Figure 2 Diagram of voltage vectors for 3-level inverter

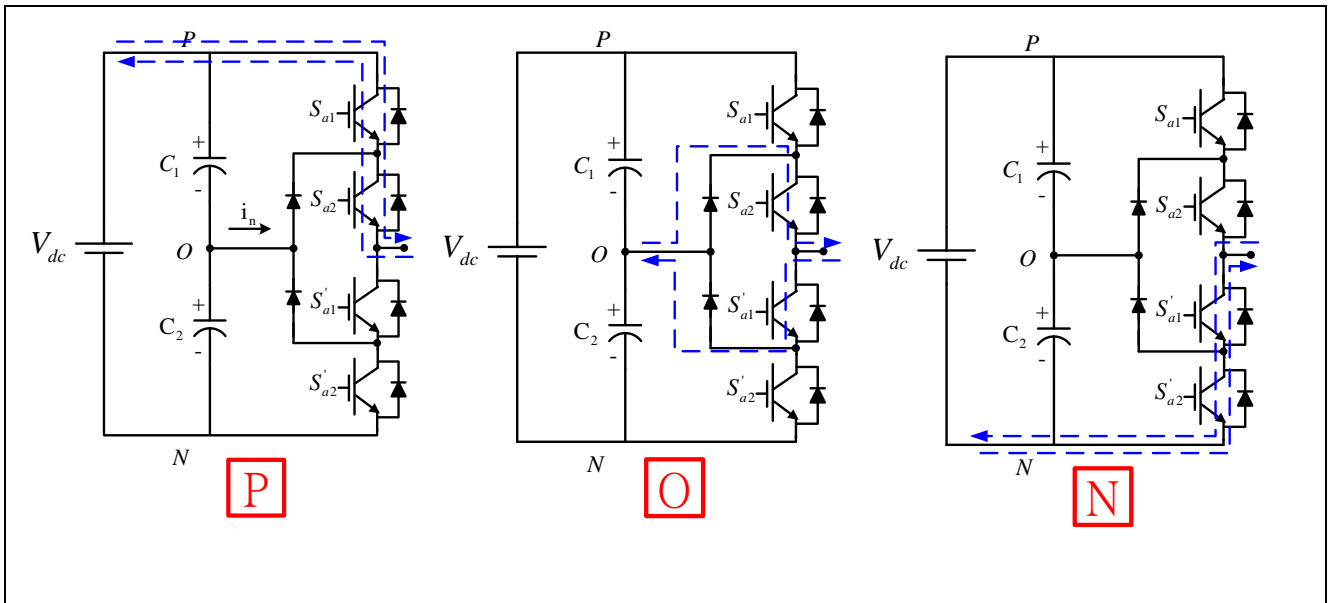


Figure 3 3-level inverter switching states

As shown in Table 1, the 19 switching states corresponding to the 27 voltage vectors can be classified into four groups according to the related output voltage. The first is zero voltage vector, which gives floating phase voltage. The zero voltage vector includes: “PPP”, “OOO”, and “NNN”. The second one is small voltage vectors, including 12 switching states. Six of them will result in the current flowing through the upper capacitor. In contrast, for the other six states, the current goes through the lower capacitor and the load. The third group is the switching states give medium voltage vectors. There are six switching states in this group. And the last group is the switching states which bring big voltage vector to the output. The current will flow through both upper-side and lower-side capacitors and has no effect on the voltage balance for these switching states.

Table 1 Effect of switching states on capacitor voltage

Voltage vector	Current path	Switching states (UVW)
Zero voltage vector	No current	PPP, OOO, NNN
Small voltage vector	Upper capacitor only	POO, PPO, OPO, OPP, OOP, POP
	Lower capacitor only	ONN, OON, NON, NOO, NNO, ONO
Medium voltage vector	—	PON, OPN, NPO, NOP, ONP, PNO
Big voltage vector	both	PNN, PPN, NPN, NPP, NNP, PNP

Fig. 4 illustrates the reference voltage vector in Sextant A as an example. The reference voltage vector, V_{ref} , can be

synthesized by the voltage vectors, V_1 , V_8 , and V_2 .

By the vector synthesis principle, the following equation can be derived.

$$\vec{V}_{ref} T_z = \vec{V}_1 T_a + \vec{V}_2 T_c + \vec{V}_8 T_b \quad (1)$$

where

T_z = sampling period

T_a , T_c , T_b = switching times of the switching states related to \vec{V}_1 , \vec{V}_2 , and \vec{V}_8 , respectively

The switching times can therefore be derived by (1) and as follows.

$$T_a = T_z [1 - 2k \sin(\gamma)] \quad (2)$$

$$T_b = T_z [2k \sin(\frac{\pi}{3} + \gamma) - 1] \quad (3)$$

$$T_c = T_z [1 - 2k \sin(\frac{\pi}{3} - \gamma)] \quad (4)$$

where

$$k = \frac{2}{\sqrt{3}} V_{ref}$$

Therefore, for the illustrated reference voltage vector, the sequence of switching states in a switching period, T_s , is shown in Fig. 5. Similar results for the reference voltage vector located at other sectors can be derived as summarized in Table 2 and the related switching sequence in a switching period are summarized in Table 3 for the reference vectors in Sextant A to Sextant F. This switching table is stored in the memory and accessed according to the position of reference vector. The related switching times are calculated as shown in Table 2. For a given reference voltage vector, once the switching pattern and switching times can be derived by the memory and calculation, respectively, the inverter devices can be controlled to give the required output voltage and frequency accordingly.

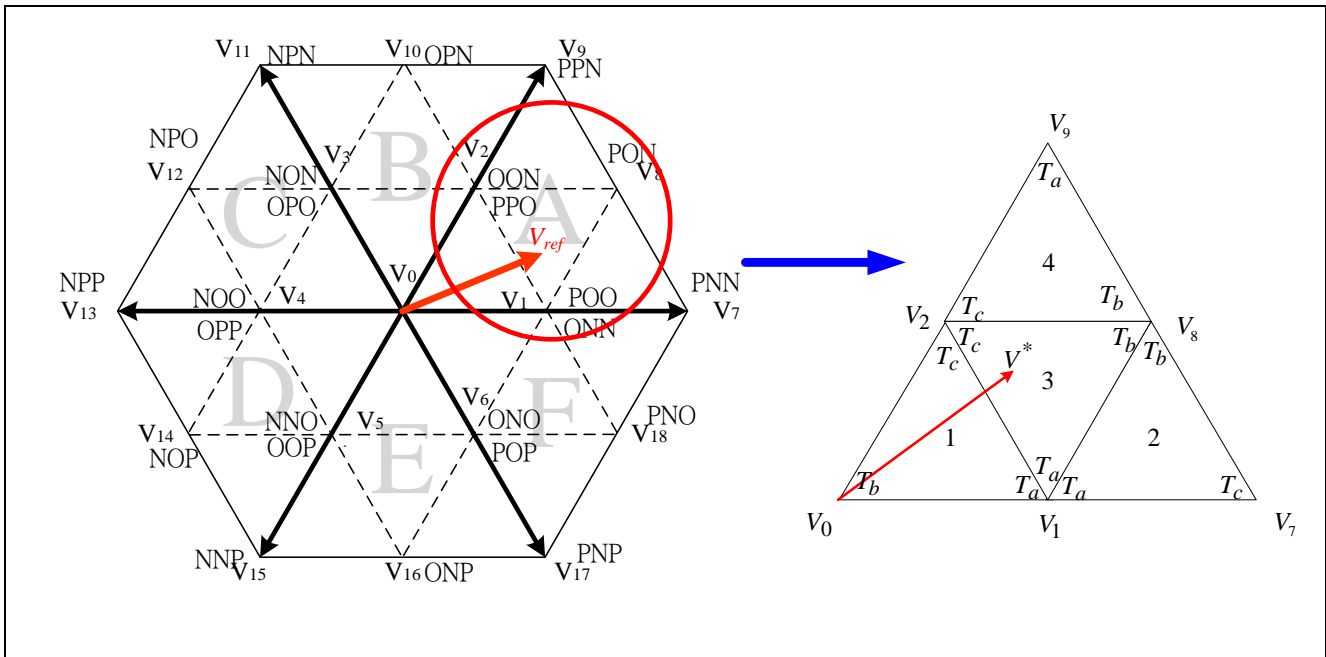


Figure 4 Voltage vector of 3-level inverter in Sextant A

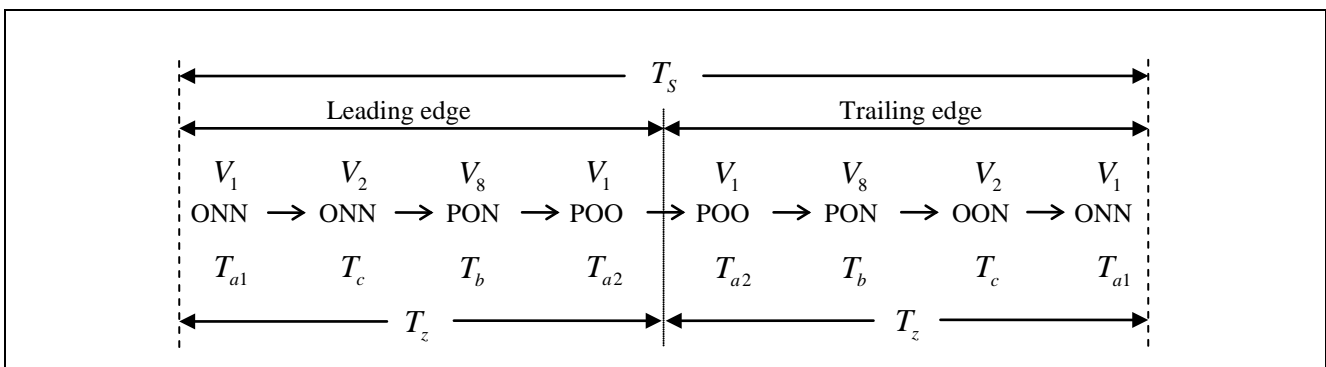


Figure 5 Illustration of sequence of switching states

Table 2 Switching times

Sector	T_a	T_b	T_c
1	$2kT_z \sin\left(\frac{\pi}{3} - \gamma\right)$	$T_z \left[1 - 2k \sin\left(\frac{\pi}{3} + \gamma\right)\right]$	$2kT_z \sin(\gamma)$
2	$2T_z \left[1 - k \sin\left(\frac{\pi}{3} + \gamma\right)\right]$	$2kT_z \sin(\gamma)$	$T_z \left[2k \sin\left(\frac{\pi}{3} - \gamma\right) - 1\right]$
3	$T_z \left[1 - 2k \sin(\gamma)\right]$	$T_z \left[2k \sin\left(\frac{\pi}{3} + \gamma\right) - 1\right]$	$T_z \left[1 - 2k \sin\left(\frac{\pi}{3} - \gamma\right)\right]$
4	$T_z \left[2k \sin(\gamma) - 1\right]$	$2kT_z \sin\left(\frac{\pi}{3} - \gamma\right)$	$2T_z \left[1 - k \sin\left(\frac{\pi}{3} + \gamma\right)\right]$

Table 3 Sequence of switching states

Sector		A				B			
Subsector		1	2	3	4	1	2	3	4
Phase		UVW	UVW	UVW	UVW	UVW	UVW	UVW	UVW
Switching Sequence	Rising Edge	NNN	ONN	ONN	OON	OOO	NON	NON	OON
		ONN	PNN	OON	PON	OPO	NPN	OON	OPN
		OON	PON	PON	PPN	PPO	OPN	OPN	PPN
		OOO	POO	POO	PPO	PPP	OPO	OPO	PPO
	Falling Edge	OOO	POO	POO	PPO	PPP	OPO	OPO	PPO
		OON	PON	PON	PPN	PPO	OPN	OPN	PPN
		ONN	PNN	OON	PON	OPO	NPN	OON	OPN
		NNN	ONN	ONN	OON	OOO	NON	NON	OON
Sector		C				D			
Subsector		1	2	3	4	1	2	3	4
Phase		UVW	UVW	UVW	UVW	UVW	UVW	UVW	UVW
Switching Sequence	Rising Edge	NNN	NON	NON	NOO	OOO	NNO	NNO	NOO
		NON	NPN	NOO	NPO	OOP	NNP	NOO	NOP
		NOO	NPO	NPO	NPP	OPP	NOP	NOP	NPP
		OOO	OPO	OPO	OPP	PPP	OOP	OOP	OPP
	Falling Edge	OOO	OPO	OPO	OPP	PPP	OOP	OOP	OPP
		NOO	NPO	NPO	NPP	OPP	NOP	NOP	NPP
		NON	NPN	NOO	NPO	OOP	NNP	NOO	NOP
		NNN	NON	NON	NOO	OOO	NNO	NNO	NOO
Sector		E				F			
Subsector		1	2	3	4	1	2	3	4
Phase		UVW	UVW	UVW	UVW	UVW	UVW	UVW	UVW
Switching Sequence	Rising Edge	NNN	NNO	NNO	ONO	OOO	ONN	ONN	ONO
		NNO	NNP	ONO	ONP	POO	PNN	ONO	PNO
		ONO	ONP	ONP	PNP	POP	PNO	PNO	PNP
		OOO	OOP	OOP	POP	PPP	POO	POO	POP
	Falling Edge	OOO	OOP	OOP	POP	PPP	POO	POO	POP
		ONO	ONP	ONP	PNP	POP	PNO	PNO	PNP
		NNO	NNP	ONO	ONP	POO	PNN	ONO	PNO
		NNN	NNO	NNO	ONO	OOO	ONN	ONN	ONO

3 Software Implementation

The flow chart for 3-level inverter control using space vector modulation is shown in Fig. 6. As shown in Fig. 6, the space vector modulation is realized in the Interrupt Service Routine (ISR) which is initiated every sampling period. As the reference voltage vector is derived via the AD converter (ADC), the Sextant, Sector and voltage angle are calculated. Based upon these results, the switching times are calculated. And the switching states (pattern) are retrieved from the memory. The inverter PWM waveform can be generated using the switching times and switching pattern. More details of I/O assignment are summarized in Table 4.

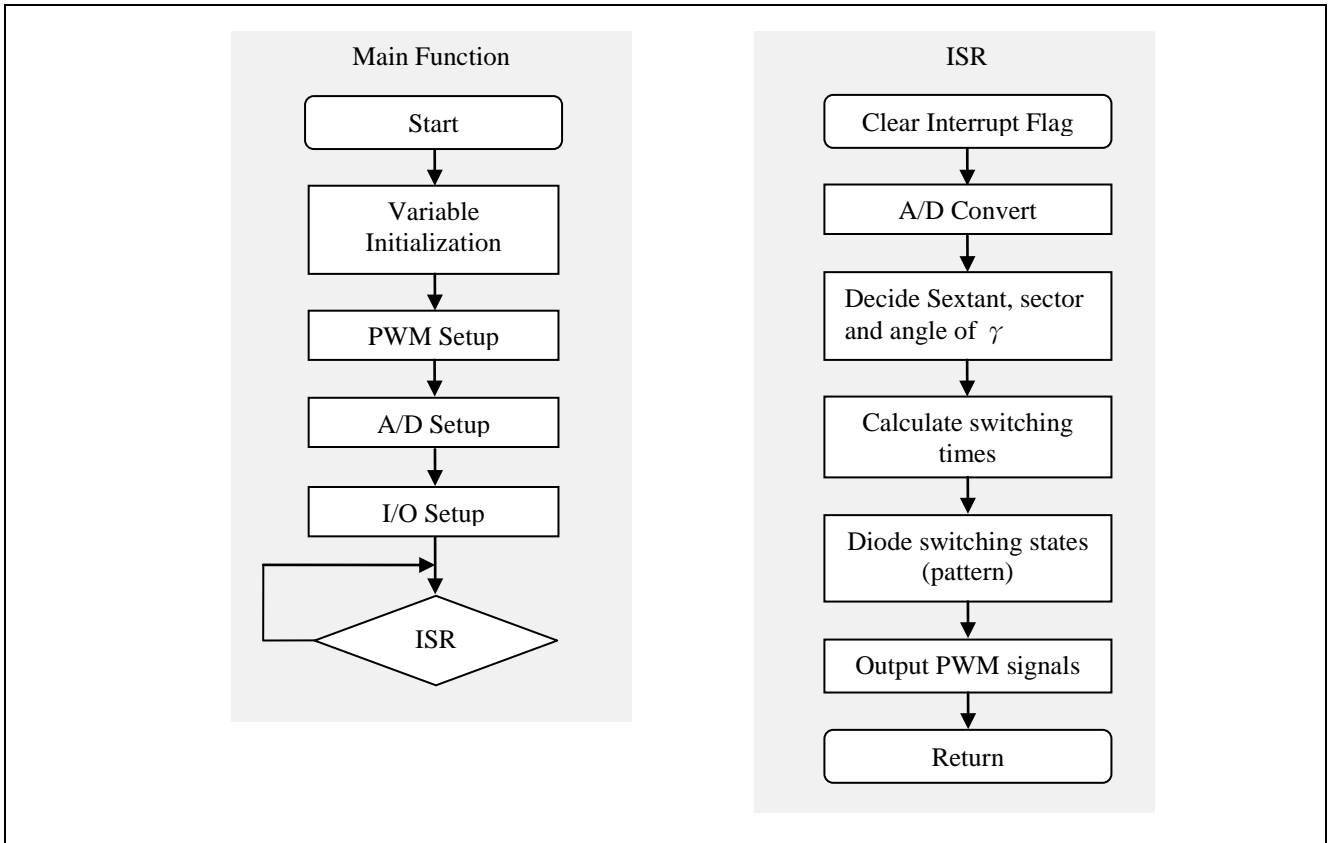


Figure 6 Flow chart of software implementation

Table 4 I/O assignment

PWM Channel	Output Pin	Description
MTU3	MTIOC3B	PWM output pin 1
	MTIOC3D	PWM output pin 1'
MTU6	MTIOC6B	PWM output pin 2
	MTIOC6D	PWM output pin 2'
MTU4	MTIOC4A	PWM output pin 3
	MTIOC4C	PWM output pin 3'
	MTIOC4B	PWM output pin 4
	MTIOC4D	PWM output pin 4'
MTU7	MTIOC7A	PWM output pin 5
	MTIOC7C	PWM output pin 5'
	MTIOC7B	PWM output pin 6
	MTIOC7D	PWM output pin 6'
A/D Channel	Input Pin	Description
	AN001	A/D Sampling
	AN002	A/D Sampling

4 Experimental Results

Fig. 7 shows the block diagram of the experimental system. An induction motor is used as the load of 3-level inverter. The induction motor is controlled via V/F control to control the speed from 140 to 1400 rpm as specified. Fig. 8 shows the photo of the implemented 3-level inverter. Both RX62 T board and the required auxiliary switching power are integrated with the 3-level inverter as shown in Fig. 8. Fig. 9 shows the measured points for the experimental results. As shown in Fig. 9, the neutral point voltage, line voltage and phase current are measured. Fig. 10 to Fig. 15 shows these measured results as motor speed varies from 10% to 100%, 140 rpm to 1400 rpm. As shown in these results, the motor can be controlled to meet the required specifications. Moreover, the DC-link voltage can be utilized to give a 5-level line voltage when voltage reference increases as shown in see Fig. 15.

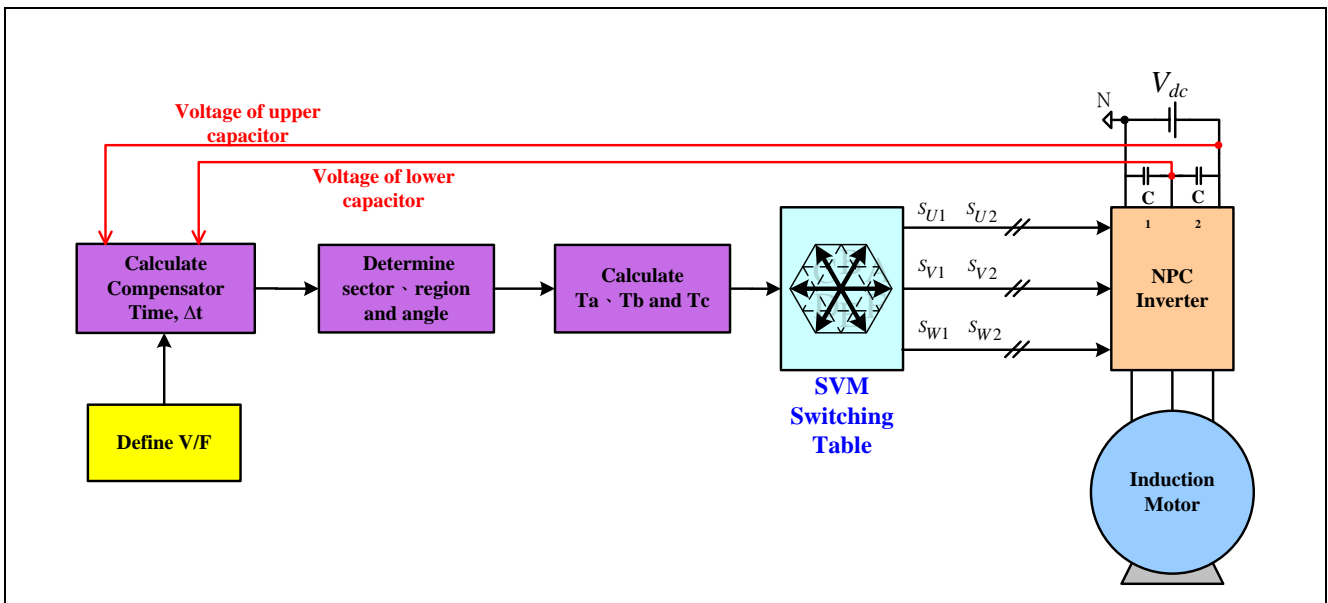


Figure 7 Block diagram of V/F control

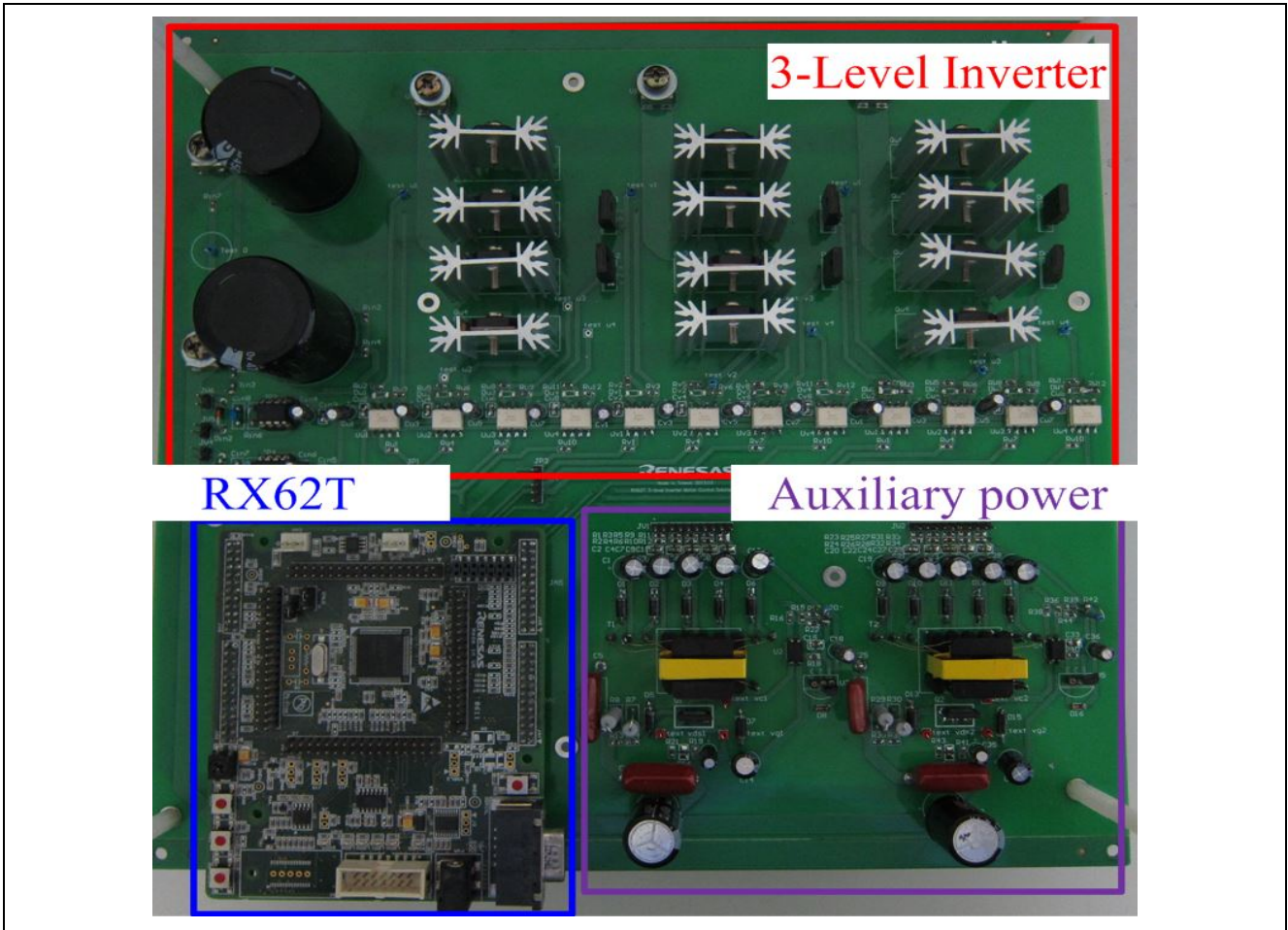


Figure 8 Implemented 3-level inverter

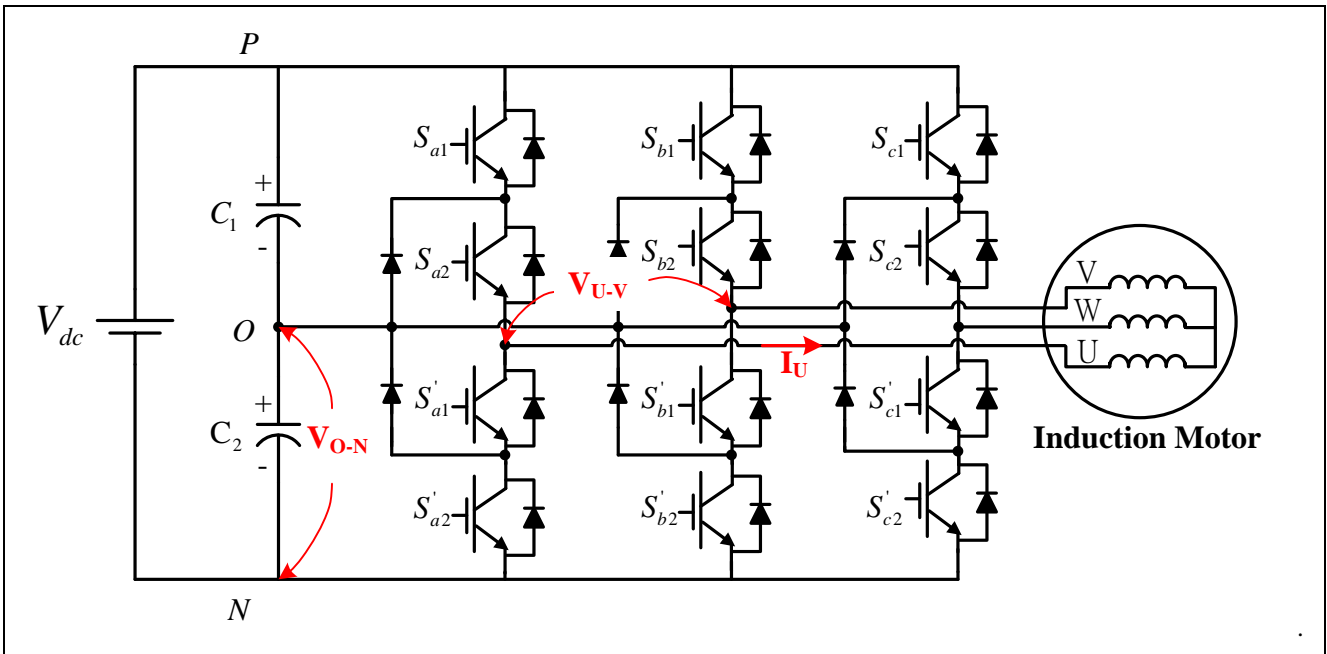


Figure 9 Measurement of 3-level inverter control experimental

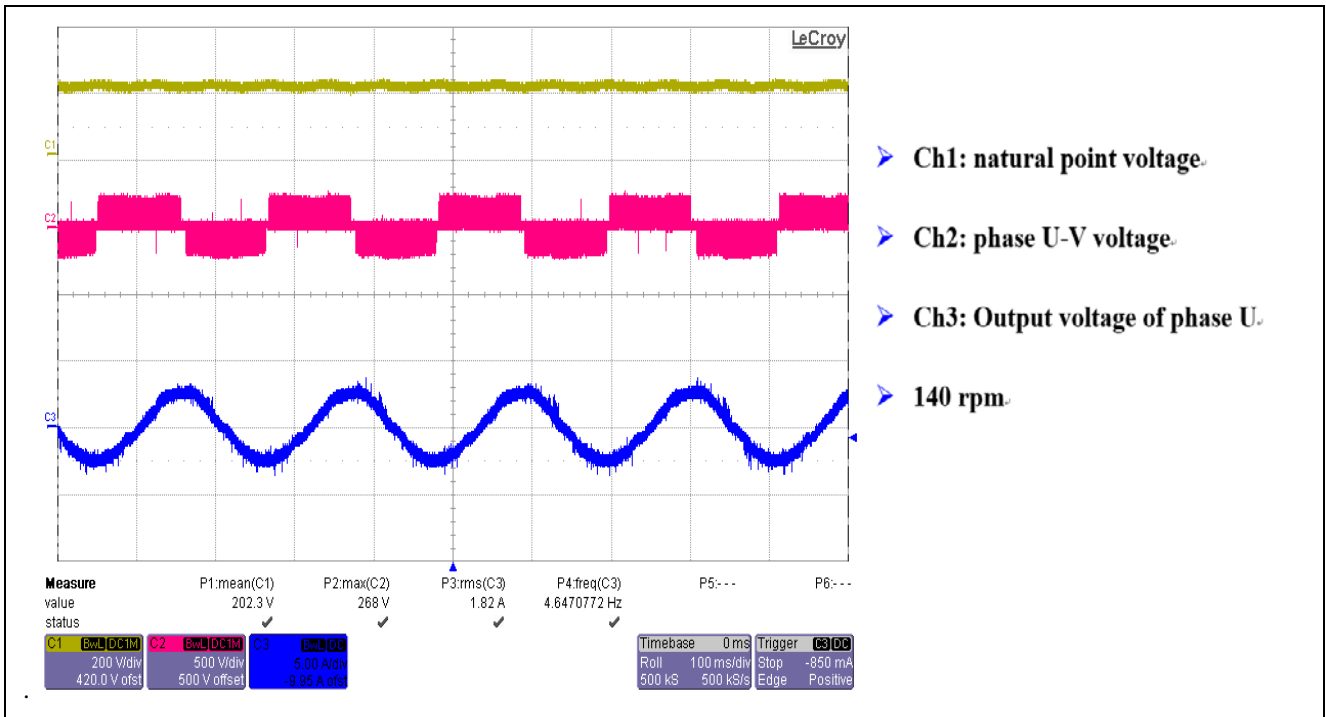


Figure 10 10% of rated speed

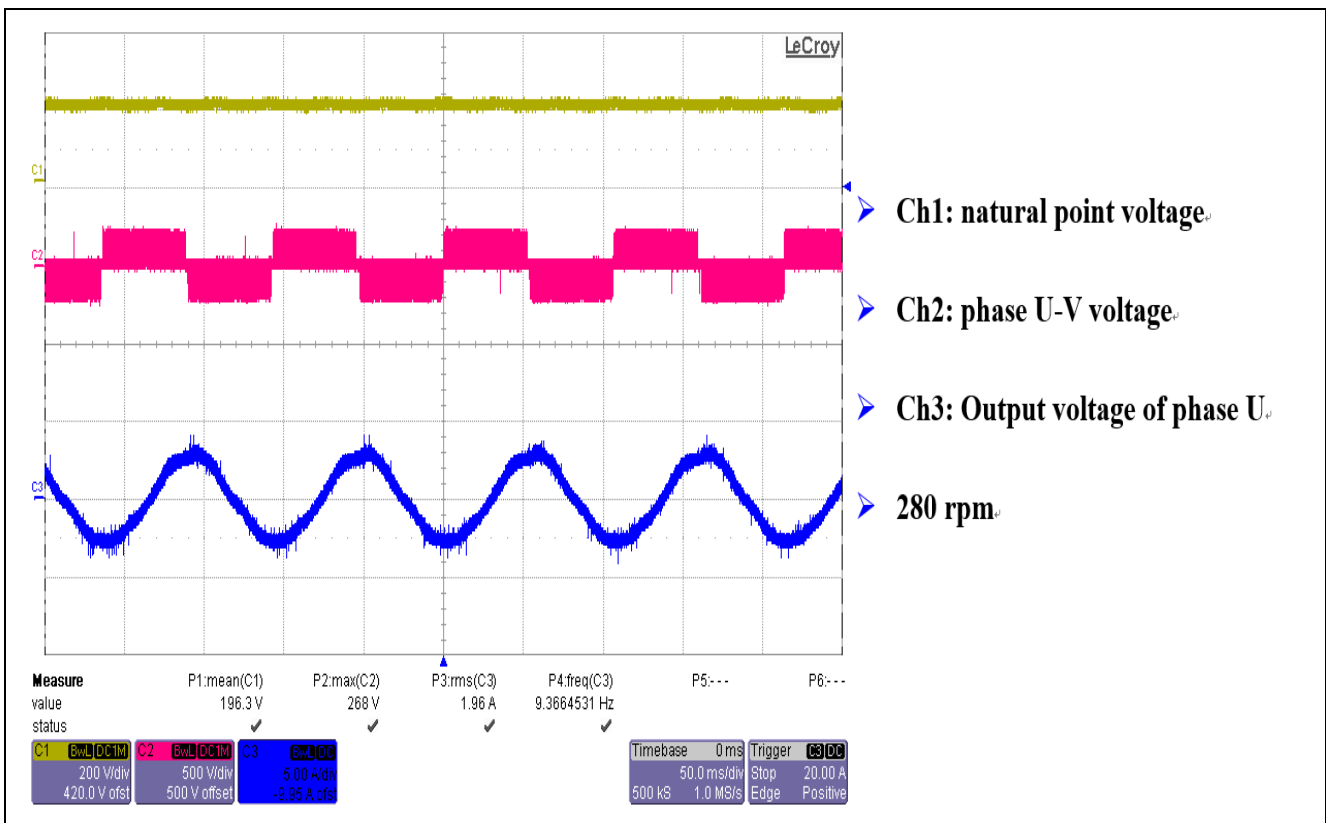


Figure 11 20% of rated speed

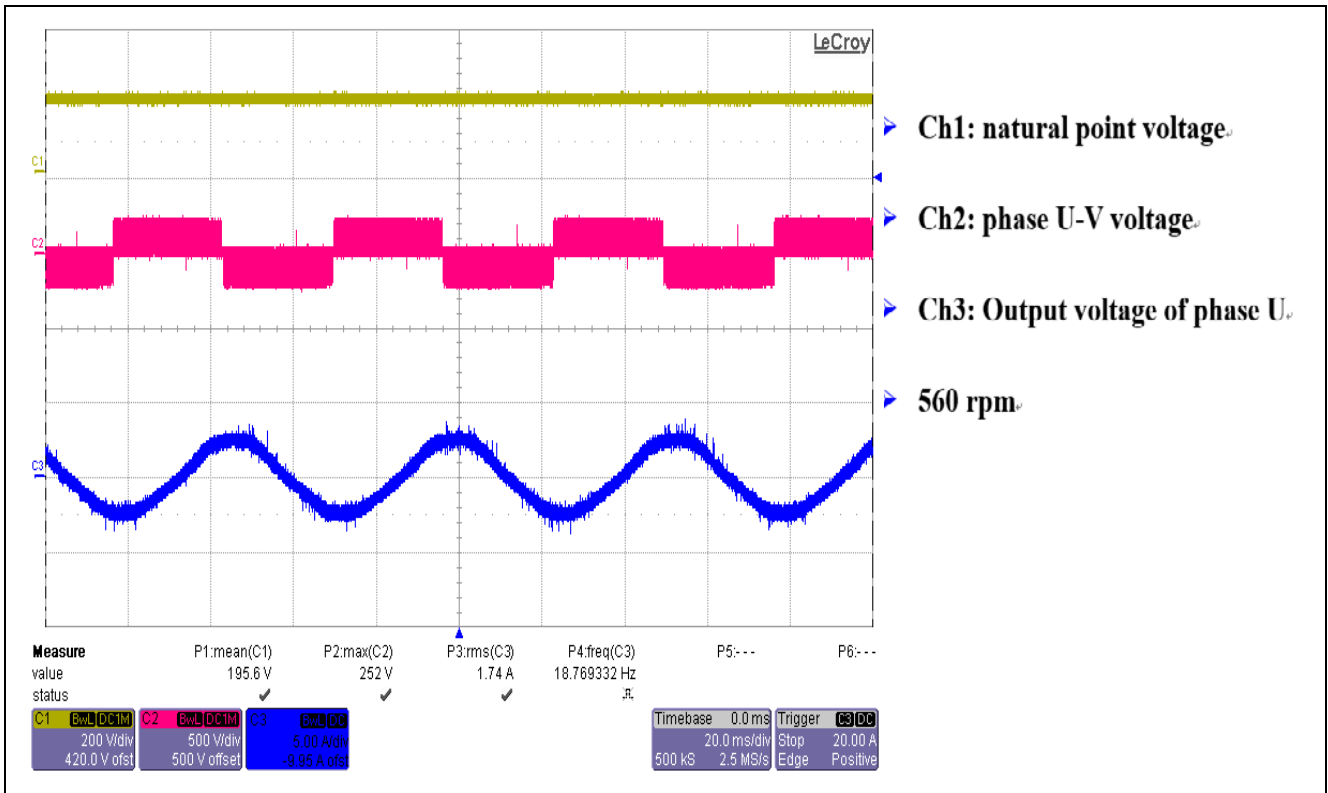


Figure 12 40% of rated speed

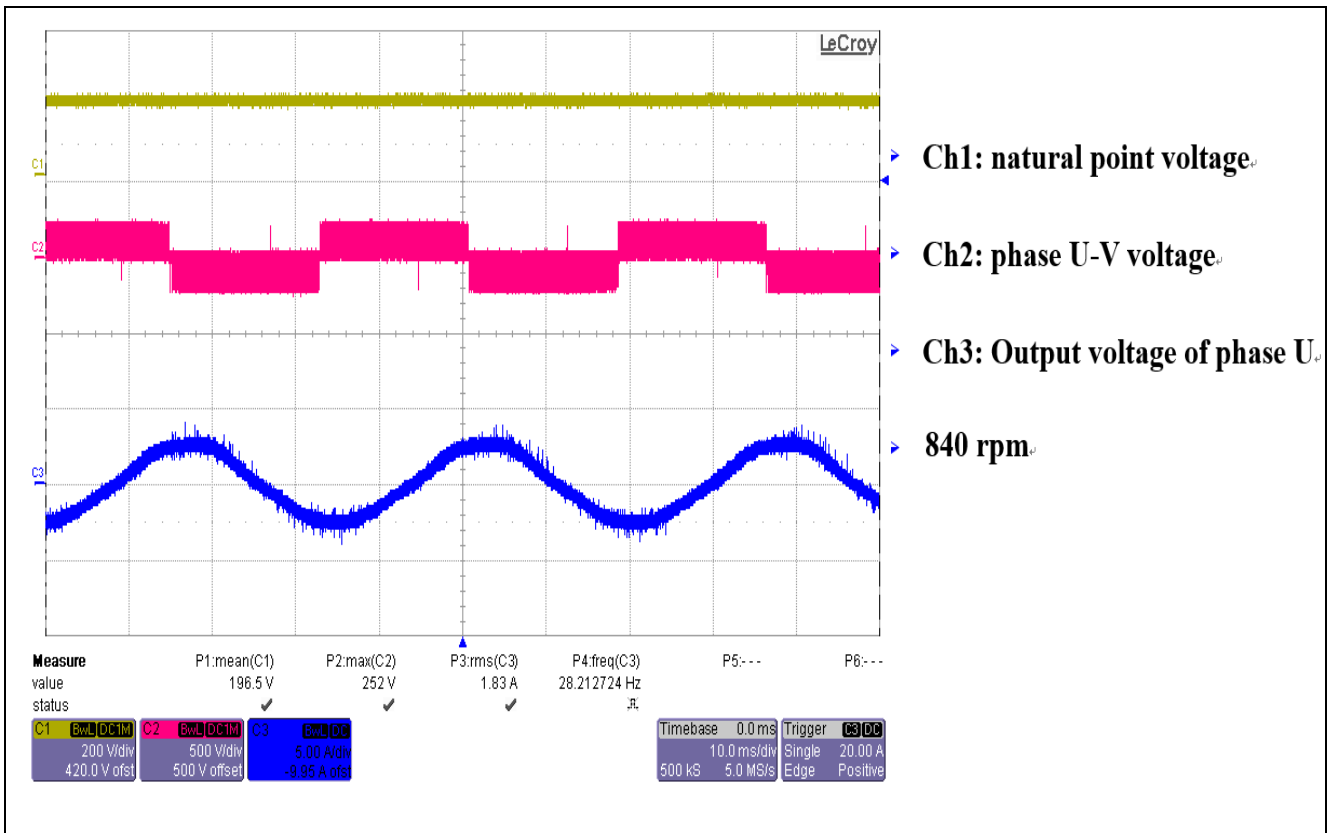


Figure 13 60% of rated speed

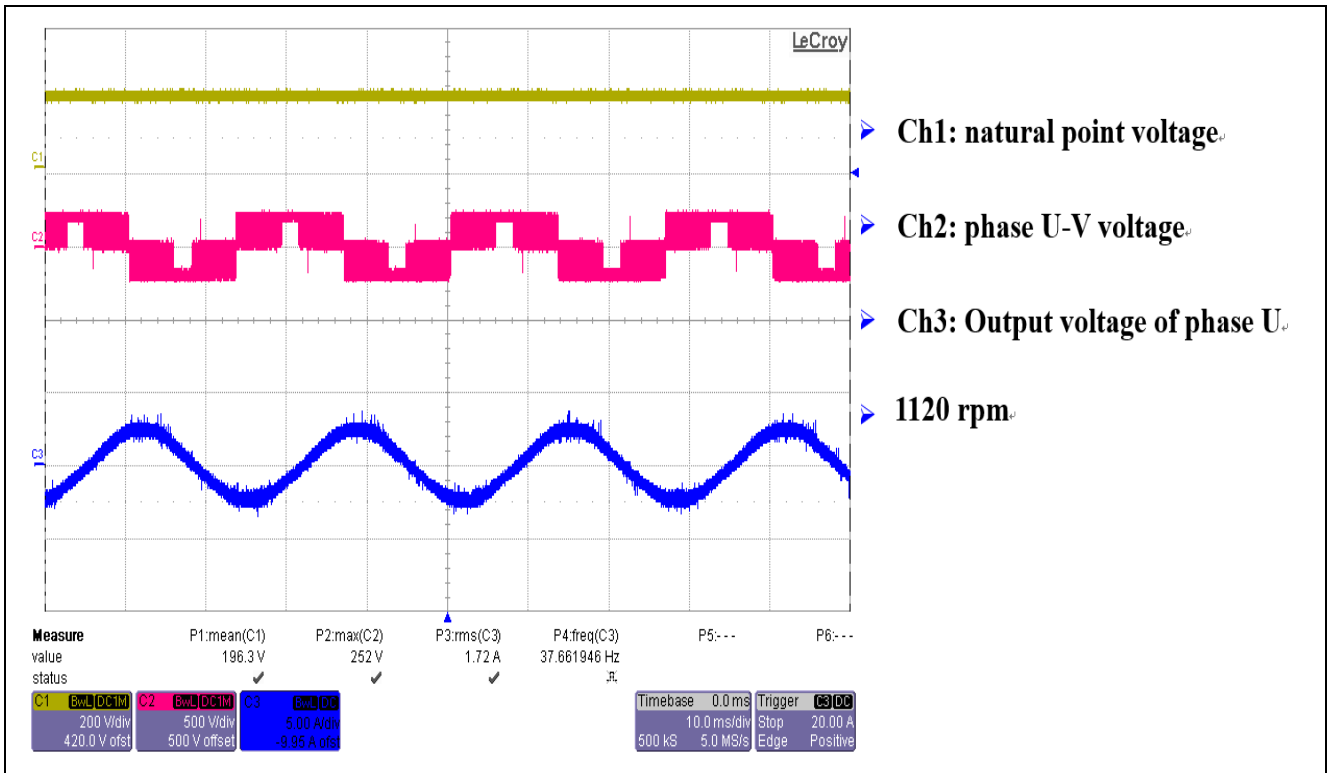


Figure 14 80% of rated speed

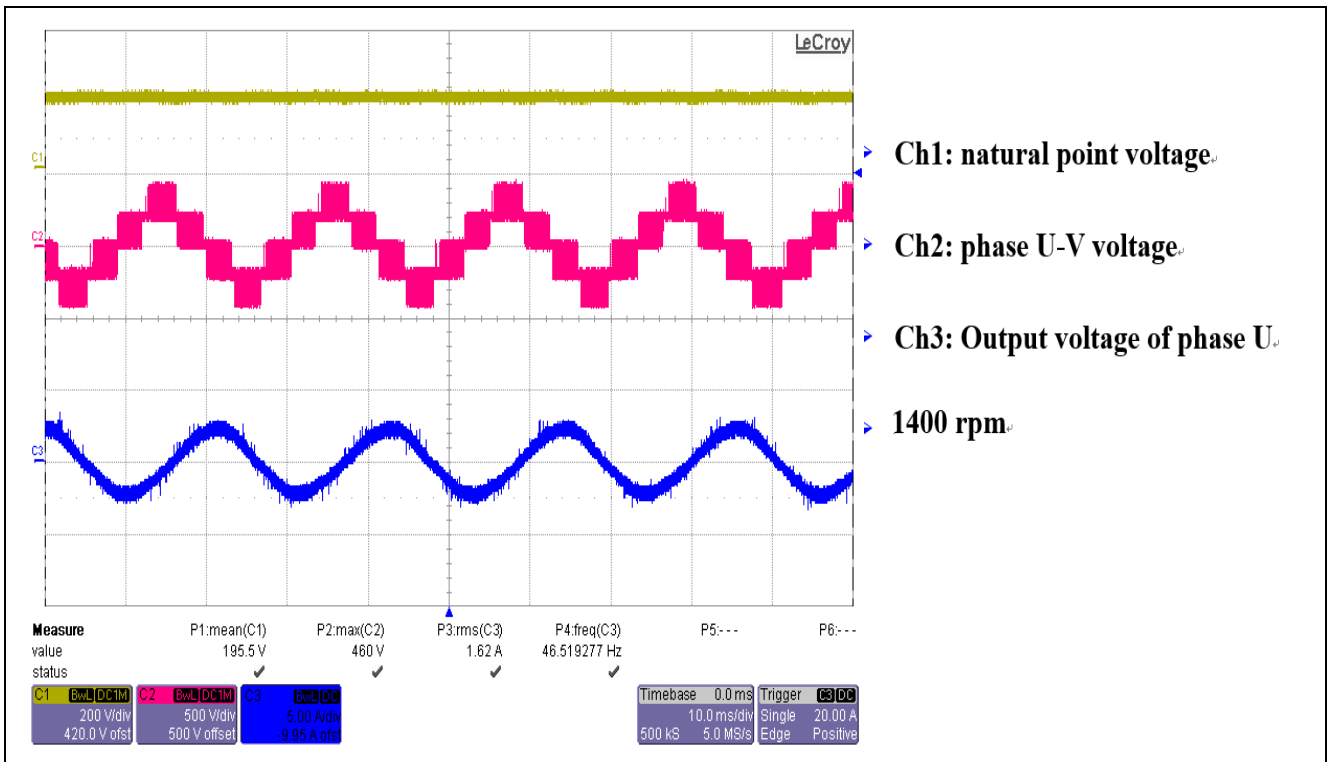


Figure 15 100% of rated speed

5 Conclusion

The purpose of this application note is to demonstrate the application of RX62T to the implementation of 3-level inverter control. The space vector modulation for 3-level inverter and its implementation based upon RX 62T are introduced. Experimental results are presented to fully support the hardware and software design and implementation. For a V/F controlled induction motor drives, smooth speed control from 140 rpm to 1400 rpm (10% to 100%) can be achieved.

6 Reference

- [1]. S. R. Bowes and Y. S. Lai, "The relationship between space vector modulation and Regular-sampled pulse-width modulation," IEEE Trans. on Industrial Electronics, Vol. 44, No. 5, pp. 670-679, 1997.
- [2]. Y. S. Lai, Y. K Chou and S. Y. Pai, "Simple PWM technique of capacitor voltage balance for three-level inverter with DC-link voltage sensor only," in Proc. of the IEEE IECON Conference, pp. 1472-1477, 2007.
- [3]. C. H. Huang, Y. S. Lai, "Implementation of three-level inverters using field programmable gate array," Proc. of the 6th Taiwan Power Electronics Conference, 2007.
- [4]. Y. K. Chou, Y. S. Lai, "Pulse-width modulation technique considering voltage balance of neutral point for diode-clamped three-level inverters," Proc. of the 5th Taiwan Power Electronics Conference, 2006.

Website and Support

Renesas Electronics Website

<http://www.renesas.com/>

Inquiries

<http://www.renesas.com/contact/>

All trademarks and registered trademarks are the property of their respective owners.

General Precautions in the Handling of MPU/MCU Products

The following usage notes are applicable to all MPU/MCU products from Renesas. For detailed usage notes on the products covered by this document, refer to the relevant sections of the document as well as any technical updates that have been issued for the products.

1. Handling of Unused Pins

Handle unused pins in accord with the directions given under Handling of Unused Pins in the manual.

- The input pins of CMOS products are generally in the high-impedance state. In operation with an unused pin in the open-circuit state, extra electromagnetic noise is induced in the vicinity of LSI, an associated shoot-through current flows internally, and malfunctions occur due to the false recognition of the pin state as an input signal become possible. Unused pins should be handled as described under Handling of Unused Pins in the manual.

2. Processing at Power-on

The state of the product is undefined at the moment when power is supplied.

- The states of internal circuits in the LSI are indeterminate and the states of register settings and pins are undefined at the moment when power is supplied.

In a finished product where the reset signal is applied to the external reset pin, the states of pins are not guaranteed from the moment when power is supplied until the reset process is completed.

In a similar way, the states of pins in a product that is reset by an on-chip power-on reset function are not guaranteed from the moment when power is supplied until the power reaches the level at which resetting has been specified.

3. Prohibition of Access to Reserved Addresses

Access to reserved addresses is prohibited.

- The reserved addresses are provided for the possible future expansion of functions. Do not access these addresses; the correct operation of LSI is not guaranteed if they are accessed.

4. Clock Signals

After applying a reset, only release the reset line after the operating clock signal has become stable. When switching the clock signal during program execution, wait until the target clock signal has stabilized.

- When the clock signal is generated with an external resonator (or from an external oscillator) during a reset, ensure that the reset line is only released after full stabilization of the clock signal. Moreover, when switching to a clock signal produced with an external resonator (or by an external oscillator) while program execution is in progress, wait until the target clock signal is stable.

5. Differences between Products

Before changing from one product to another, i.e. to a product with a different type number, confirm that the change will not lead to problems.

- The characteristics of an MPU or MCU in the same group but having a different part number may differ in terms of the internal memory capacity, layout pattern, and other factors, which can affect the ranges of electrical characteristics, such as characteristic values, operating margins, immunity to noise, and amount of radiated noise. When changing to a product with a different part number, implement a system-evaluation test for the given product.

Notice

1. Descriptions of circuits, software and other related information in this document are provided only to illustrate the operation of semiconductor products and application examples. You are fully responsible for the incorporation of these circuits, software, and information in the design of your equipment. Renesas Electronics assumes no responsibility for any losses incurred by you or third parties arising from the use of these circuits, software, or information.
2. Renesas Electronics has used reasonable care in preparing the information included in this document, but Renesas Electronics does not warrant that such information is error free. Renesas Electronics assumes no liability whatsoever for any damages incurred by you resulting from errors in or omissions from the information included herein.
3. Renesas Electronics does not assume any liability for infringement of patents, copyrights, or other intellectual property rights of third parties by or arising from the use of Renesas Electronics products or technical information described in this document. No license, express, implied or otherwise, is granted hereby under any patents, copyrights or other intellectual property rights of Renesas Electronics or others.
4. You should not alter, modify, copy, or otherwise misappropriate any Renesas Electronics product, whether in whole or in part. Renesas Electronics assumes no responsibility for any losses incurred by you or third parties arising from such alteration, modification, copy or otherwise misappropriation of Renesas Electronics product.
5. Renesas Electronics products are classified according to the following two quality grades: "Standard" and "High Quality". The recommended applications for each Renesas Electronics product depends on the product's quality grade, as indicated below.
"Standard": Computers; office equipment; communications equipment; test and measurement equipment; audio and visual equipment; home electronic appliances; machine tools; personal electronic equipment; and industrial robots etc.
"High Quality": Transportation equipment (automobiles, trains, ships, etc.); traffic control systems; anti-disaster systems; anti-crime systems; and safety equipment etc.
Renesas Electronics products are neither intended nor authorized for use in products or systems that may pose a direct threat to human life or bodily injury (artificial life support devices or systems, surgical implantations etc.), or may cause serious property damages (nuclear reactor control systems, military equipment etc.). You must check the quality grade of each Renesas Electronics product before using it in a particular application. You may not use any Renesas Electronics product for any application for which it is not intended. Renesas Electronics shall not be in any way liable for any damages or losses incurred by you or third parties arising from the use of any Renesas Electronics product for which the product is not intended by Renesas Electronics.
6. You should use the Renesas Electronics products described in this document within the range specified by Renesas Electronics, especially with respect to the maximum rating, operating supply voltage range, movement power voltage range, heat radiation characteristics, installation and other product characteristics. Renesas Electronics shall have no liability for malfunctions or damages arising out of the use of Renesas Electronics products beyond such specified ranges.
7. Although Renesas Electronics endeavors to improve the quality and reliability of its products, semiconductor products have specific characteristics such as the occurrence of failure at a certain rate and malfunctions under certain use conditions. Further, Renesas Electronics products are not subject to radiation resistance design. Please be sure to implement safety measures to guard them against the possibility of physical injury, and injury or damage caused by fire in the event of a failure of a Renesas Electronics product, such as safety design for hardware and software including but not limited to redundancy, fire control and malfunction prevention, appropriate treatment for aging degradation or any other appropriate measures. Because the evaluation of microcomputer software alone is very difficult, please evaluate the safety of the final products or systems manufactured by you.
8. Please contact a Renesas Electronics sales office for details as to environmental matters such as the environmental compatibility of each Renesas Electronics product. Please use Renesas Electronics products in compliance with all applicable laws and regulations that regulate the inclusion or use of controlled substances, including without limitation, the EU RoHS Directive. Renesas Electronics assumes no liability for damages or losses occurring as a result of your noncompliance with applicable laws and regulations.
9. Renesas Electronics products and technology may not be used for or incorporated into any products or systems whose manufacture, use, or sale is prohibited under any applicable domestic or foreign laws or regulations. You should not use Renesas Electronics products or technology described in this document for any purpose relating to military applications or use by the military, including but not limited to the development of weapons of mass destruction. When exporting the Renesas Electronics products or technology described in this document, you should comply with the applicable export control laws and regulations and follow the procedures required by such laws and regulations.
10. It is the responsibility of the buyer or distributor of Renesas Electronics products, who distributes, disposes of, or otherwise places the product with a third party, to notify such third party in advance of the contents and conditions set forth in this document, Renesas Electronics assumes no responsibility for any losses incurred by you or third parties as a result of unauthorized use of Renesas Electronics products.
11. This document may not be reproduced or duplicated in any form, in whole or in part, without prior written consent of Renesas Electronics.
12. Please contact a Renesas Electronics sales office if you have any questions regarding the information contained in this document or Renesas Electronics products, or if you have any other inquiries.

(Note 1) "Renesas Electronics" as used in this document means Renesas Electronics Corporation and also includes its majority-owned subsidiaries.

(Note 2) "Renesas Electronics product(s)" means any product developed or manufactured by or for Renesas Electronics.



SALES OFFICES

Renesas Electronics Corporation

<http://www.renesas.com>

Refer to "<http://www.renesas.com/>" for the latest and detailed information.

Renesas Electronics America Inc.
2880 Scott Boulevard Santa Clara, CA 95050-2554, U.S.A.
Tel: +1-408-588-6000, Fax: +1-408-588-6130

Renesas Electronics Canada Limited
1101 Nicholson Road, Newmarket, Ontario L3Y 9C3, Canada
Tel: +1-905-898-5441, Fax: +1-905-898-3220

Renesas Electronics Europe Limited
Dukes Meadow, Millboard Road, Bourne End, Buckinghamshire, SL8 5FH, U.K
Tel: +44-1628-651-700, Fax: +44-1628-651-804

Renesas Electronics Europe GmbH
Arcadiastrasse 10, 40472 Düsseldorf, Germany
Tel: +49-211-65030, Fax: +49-211-6503-1327

Renesas Electronics (China) Co., Ltd.
7th Floor, Quantum Plaza, No.27 ZhiChunLu Haidian District, Beijing 100083, P.R.China
Tel: +86-10-8235-1155, Fax: +86-10-8235-7679

Renesas Electronics (Shanghai) Co., Ltd.
Unit 204, 205, AZIA Center, No.1233 Lujiazui Ring Rd., Pudong District, Shanghai 200120, China
Tel: +86-21-5877-1818, Fax: +86-21-6887-7858 / -7898

Renesas Electronics Hong Kong Limited
Unit 1601-1613, 16/F., Tower 2, Grand Century Place, 193 Prince Edward Road West, Mongkok, Kowloon, Hong Kong
Tel: +852-2886-9318, Fax: +852 2886-9022/9044

Renesas Electronics Taiwan Co., Ltd.
13F, No. 363, Fu Shing North Road, Taipei, Taiwan
Tel: +886-2-8175-9600, Fax: +886 2-8175-9670

Renesas Electronics Singapore Pte. Ltd.
80 Bendemeer Road, Unit #06-02 Hyflux Innovation Centre Singapore 339949
Tel: +65-6213-0200, Fax: +65-6213-0300

Renesas Electronics Malaysia Sdn.Bhd.
Unit 906, Block B, Menara Amcorp, Amcorp Trade Centre, No. 18, Jln Persiaran Barat, 46050 Petaling Jaya, Selangor Darul Ehsan, Malaysia
Tel: +60-3-7955-9390, Fax: +60-3-7955-9510

Renesas Electronics Korea Co., Ltd.
11F., Samik Lavied' or Bldg., 720-2 Yeoksam-Dong, Kangnam-Ku, Seoul 135-080, Korea
Tel: +82-2-558-3737, Fax: +82-2-558-5141