

RX610 Group

R01AN0209EJ0100

Rev.1.00

Dec 09, 2010

Asynchronous SCI Transmission Using DTC (Little Endian)

Abstract

This application note presents an example of asynchronous serial communication using the serial communication interface (SCI) and data transfer controller (DTC) of a Renesas MCU.

Target Device

RX610 Group

Introduction

This application note applies to the following MCUs and conditions.

RX610 Group

The program can be used with other RX Family MCUs that have the same I/O registers (peripheral device control registers) as the RX610 Group. Check the latest version of the manual for any additions and modifications to the functions used by this application note. Careful evaluation is recommended before using this application note.

The program works with an endian specification of little endian only and with left or right specified as the bit order.

Contents

1. Specifications	2
2. Description of Functions.....	3
3. Operation.....	11
4. Software	13
5. Verified Operation Environment	18
6. Reference Documents.....	19

1. Specifications

The data transfer controller (DTC) and asynchronous serial communication function of the serial communication interface (SCI) are used to transmit data. Figure 1 presents an overview of asynchronous serial data transmission using the DTC.

1. Channel 1 of the SCI and the DTC are used.
2. The communication format is a bit length of 8 bits, one stop bit, and no parity.
3. In the transmission operation, the DTC is started by a transmit data empty interrupt request, and the transmit data is transferred from a pre-specified transfer source to the transmit data register (TDR) of the SCI.
4. After the specified number of transfers complete, preparation is made for retransmission.

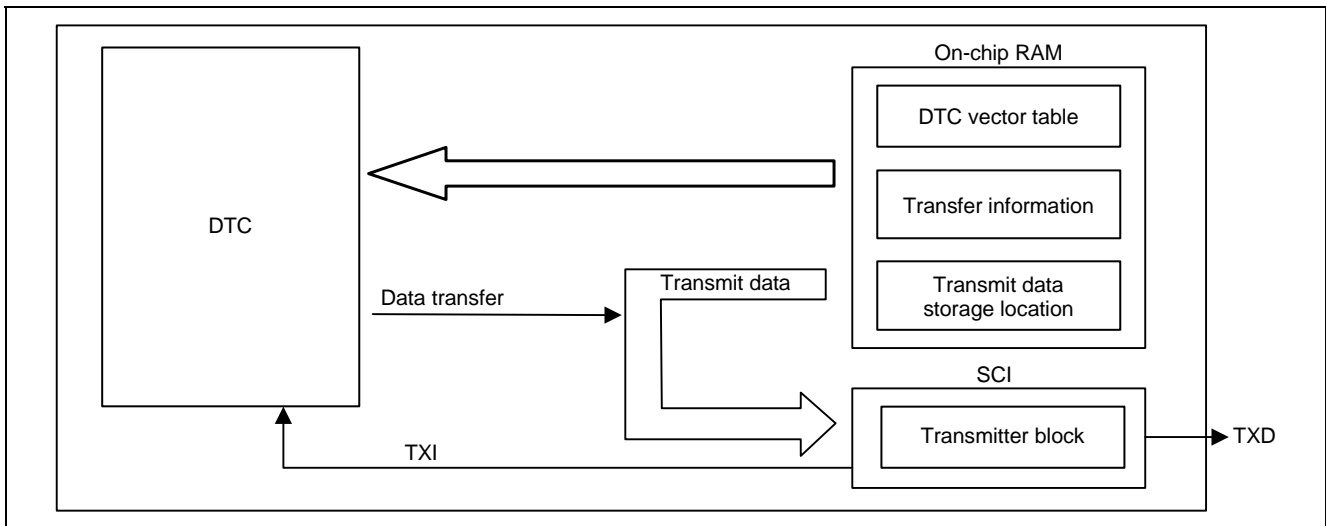


Figure 1 Overview of Asynchronous Serial Data Transmission Using DTC

Functions Used

Serial communication interface (SCI)

Data transfer controller (DTC)

2. Description of Functions

In the sample program, the transmit data empty interrupt (TXI) source of the SCI is used to activate the DTC. Data transfer is performed in the specified transfer mode, resulting in asynchronous serial data transmission.

2.1 Operation of Serial Communication Interface (SCI)

When the SCI operates in asynchronous mode, serial communication is accomplished by transmitting and receiving characters, each of which contains a start bit indicating the start of the transfer, a stop bit or bits indicating the end of the transfer, and data bits. Synchronization is by character unit. The transmitter block and receiver block each have a double-buffered structure, allowing data to be read and written during transmission and reception.

The communication line is normally held in the mark state (high level) during asynchronous serial communication. The SCI monitors the communications line, and when it detects a space state (low level) it treats it as a start bit and starts serial communication.

In serial communication, one character comprises a start bit (low level), data bits (LSB-first: starting from the lowest-order bit), a parity bit (high/low), and a stop bit or bits, in that order.

For details of the SCI, see the section Serial Communication Interface (SCI) in the *RX610 Group Hardware Manual*.

Table 1 provides an overview of asynchronous serial communication and figure 2 shows the data format used.

Table 1 Overview of Asynchronous Serial Communication

Item	Description
Channels	7 channels (SCI0 to SCI6)
Transfer speed	On-chip baud rate generator allowing setting of any bit rate
Clock sources	Internal clock: PCLK, PCLK/4, PCLK/16, PCLK/64 (PCLK: peripheral module clock) External clock: Clock input on SCKn pin
Data formats	Transfer data length: 7 bits/8 bits Transmit stop bits: 1 bit/2 bits Parity function: Even parity/odd parity/no parity Transfer order: LSB first/MSB first
Baud rates	Internal clock selected: 100 bps to 1,562,500 bps (PCLK = 50 MHz) External clock selected: Max. 781,250 bps (PCLK = 50 MHz)
Error detection	Parity error, overrun error, framing error
Interrupt requests	Transmit data empty interrupt (TXI) Receive data full interrupt (RXI) Receive error interrupt (ERI) Transmit error interrupt (TEI)
Clock source selection	Selectable between internal clock and external clock

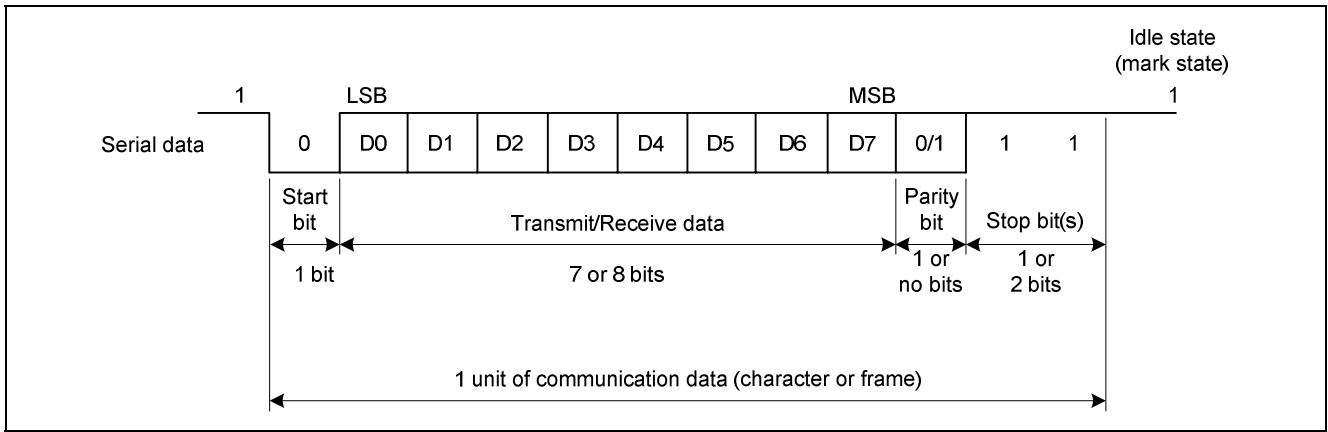


Figure 2 Asynchronous Serial Communication Data Format (8 Data Bits/Parity/2 Stop Bits)

Figure 3 is a block diagram of the SCI (SCI0 to SCI4). The registers are described below.

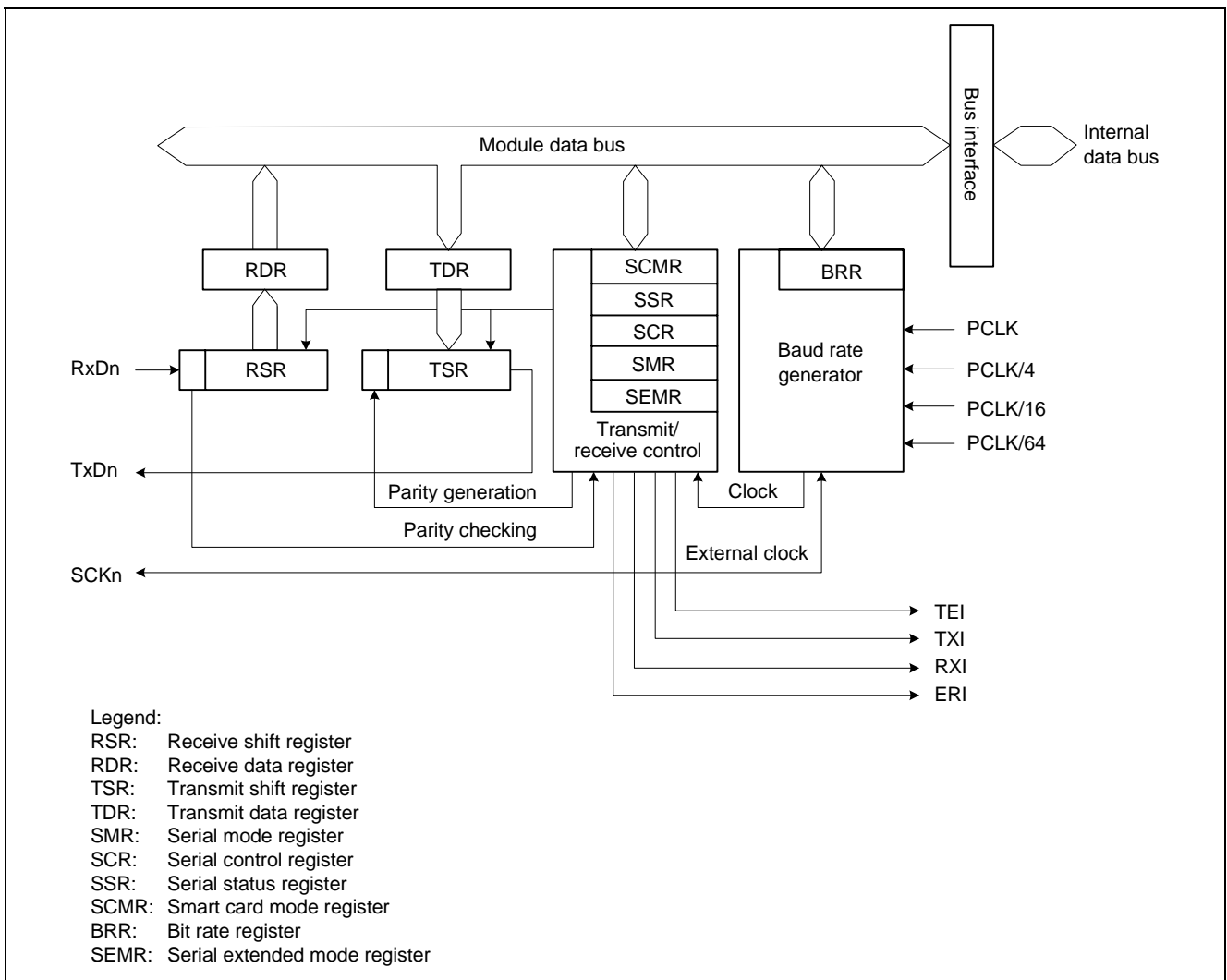


Figure 3 Block diagram of SCI (SCI0 to SCI4)

- Receive shift register (RSR)
RSR is a shift register that converts to parallel data serial data input to the RxDn pin. When one frame of data has been received, it is transferred to RDR automatically.
- Receive data register (RDR)
RDR is a register that stores receive data. When the SCI has received one frame of data, it transfers the receive data from RSR to RDR, allowing RSR to receive the next frame of data. RSR and RDR form a double-buffered structure, so continuous receive operations can be performed. Read RDR only once after a receive data full interrupt (RXI) request occurs. Note that an overrun error occurs if the next frame of data is received before the receive data in RDR is read. RDR cannot be written to by the CPU.
- Transmit data register (TDR)
TDR is an 8-bit register that stores transmit data. When the SCI detects that TSR is empty, it transfers the transmit data written in TDR to TSR and starts transmission. TDR and TSR form a double-buffered structure, so continuous transmit operations can be performed. If after a frame of data is transmitted the next frame of transmit data has already been written to TDR, the SCI transfers it to TSR to continue transmission. The CPU can read from or write to TDR at any time. Only write transmit data to TDR once after each transmit data empty interrupt (TXI) request.
- Transmit shift register (TSR)
TSR is a shift register for transmitting serial data. To perform serial data transmission, transmit data written to TDR is automatically transferred to TSR and then sent to the TxDn pin. TSR cannot be accessed directly by the CPU.
- Serial mode register (SMR)
SMR is used to select the communication format and the clock source of the on-chip baud rate generator.
- Serial control register (SCR)
SCR is used to select settings for transmit/receive control, interrupt control, and transmit/receive clock sources. For information on interrupts, see the Interrupt Control Unit (ICU) section in the *RX610 Group Hardware Manual*.
- Serial status register (SSR)
SSR contains status flags for the SCI.
- Bit rate register (BRR)
BRR is a register used to adjust the bit rate. The SCI performs baud rate generator control independently for each channel, different bit rates can be set for each channel.
- Serial extended mode register (SEMR)
SEMR is a register used to select the clock for a 1-bit period in asynchronous mode.
- Smart card mode register (SCMR)
SCMR is a register used to select the smart card interface mode and its format.

2.2 Operation of Data Transfer Controller (DTC)

The DTC is activated by an interrupt request, enabling it to perform data transfer. There are three transfer modes: normal transfer mode, repeat transfer mode, and block transfer mode. By storing the transfer information in a data area, data transfer can be performed using a user-defined number of channels. When the DTC is activated, the transfer information is read from a start address, according to the vector address determined for the individual DTC activation source, the user-defined transfer information is transferred to the DTC, and data transfer takes place. When data transfer finishes, write-back of the contents of the various registers takes place. For details of the DTC, see the Data Transfer Controller (DTC) section in the *RX610 Group Hardware Manual*. Table 2 presents an overview of the DTC.

Table 2 Overview of DTC

Item	Description
Transfer modes	Normal transfer mode Repeat transfer mode Block transfer mode
Transfer using user-defined number of channels	Data transfer using multiple channels is possible using a single activation source (chain transfer). Chain transfer execution can be specified following data transfer.
Short-address mode/ full-address mode	<ul style="list-style-type: none"> The transfer information comprises three longwords in short-address mode and four longwords in full-address mode. In short-address mode, the transfer source and transfer destination addresses are specified as 24-bit addresses, allowing direct addressing of a 16 MB address space. In full-address mode, the transfer source and transfer destination addresses are specified as 32-bit addresses, allowing direct addressing of a 4 GB address space.
Data sizes	Byte, word, or longword can be specified.
Interrupt sources	<ul style="list-style-type: none"> An interrupt request is issued to the CPU after a single data transfer finishes. An interrupt request is issued to the CPU after the specified number of data transfers finish.
Read skip	<ul style="list-style-type: none"> Reading of the transfer information can be omitted (read skip).
Write-back skip	<ul style="list-style-type: none"> Write-back of transfer source addresses or transfer destination addresses for which fixed values have been chosen can be omitted (write-back skip).

Figure 4 is a block diagram of the DTC.

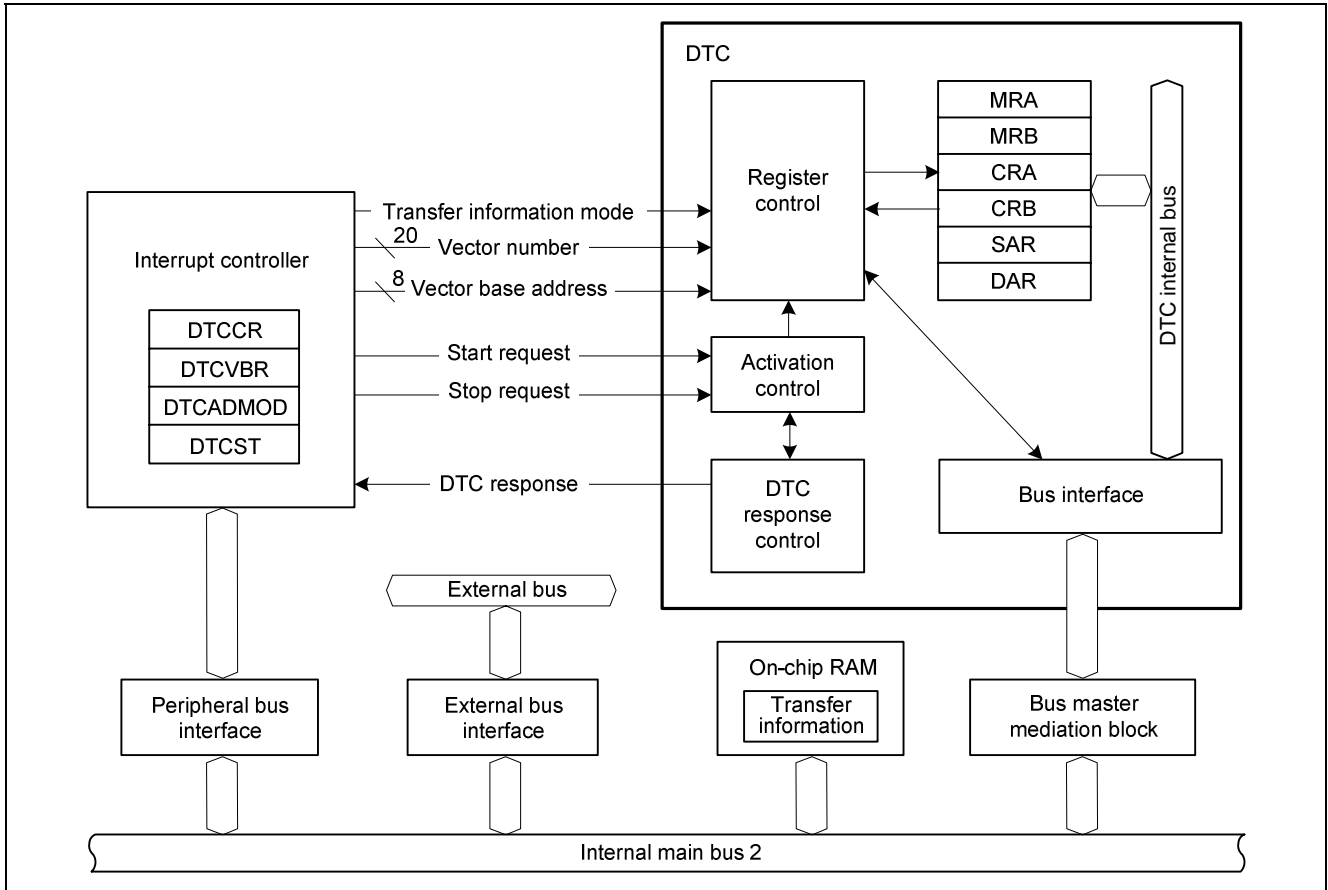


Figure 4 Block Diagram of DTC

- **DTC mode register A (MRA)**
MRA is used to select the operating mode of the DTC. It cannot be accessed directly by the CPU.
- **DTC mode register B (MRB)**
MRB is used to select the operating mode of the DTC. It cannot be accessed directly by the CPU.
- **DTC transfer count register A (CRA)**
CRA is used to specify the number of data transfers to be performed by the DTC. It cannot be accessed directly by the CPU.
- **DTC transfer count register B (CRB)**
CRB is used to specify the number of block data transfers to be performed by the DTC in block transfer mode. It cannot be accessed directly by the CPU.
- **DTC source address register (SAR)**
SAR is used to specify the transfer source start address for data transfer by the DTC. It cannot be accessed directly by the CPU.
- **DTC destination address register (DAR)**
DAR is used to specify the transfer destination start address for data transfer by the DTC. It cannot be accessed directly by the CPU.
- **DTC control register (DTCCR)**
DTCCR is used to select DTC control settings.
- **DTC vector base register (DTCVBR)**
DTCVBR is used to specify the base address for calculating the DTC vector table addresses.
- **DTC address mode register (DTCADMOD)**
DTCADMOD is used to specify the areas that can be accessed by the DTC.
- **DTC module start register (DTCST)**
DTCST is used to start and stop the DTC module.

2.2.1 Allocation of Transfer Information

Transfer information should be allocated in memory according to the endian specification as shown in figure 5.

When writing CRA and CRB setting data in 16-bit format, write the CRA setting data to low-order address 0 and the CRB setting data to low-order address 2 for big endian, and write the CRB setting data to low-order address 0 and the CRA setting data to low-order address 2 for little endian. When writing setting data in 32-bit format, write the CRA setting data to the MSB side and the CRB setting data to the LSB side of the 32-bit space at low-order address 0, regardless of the endian specification.

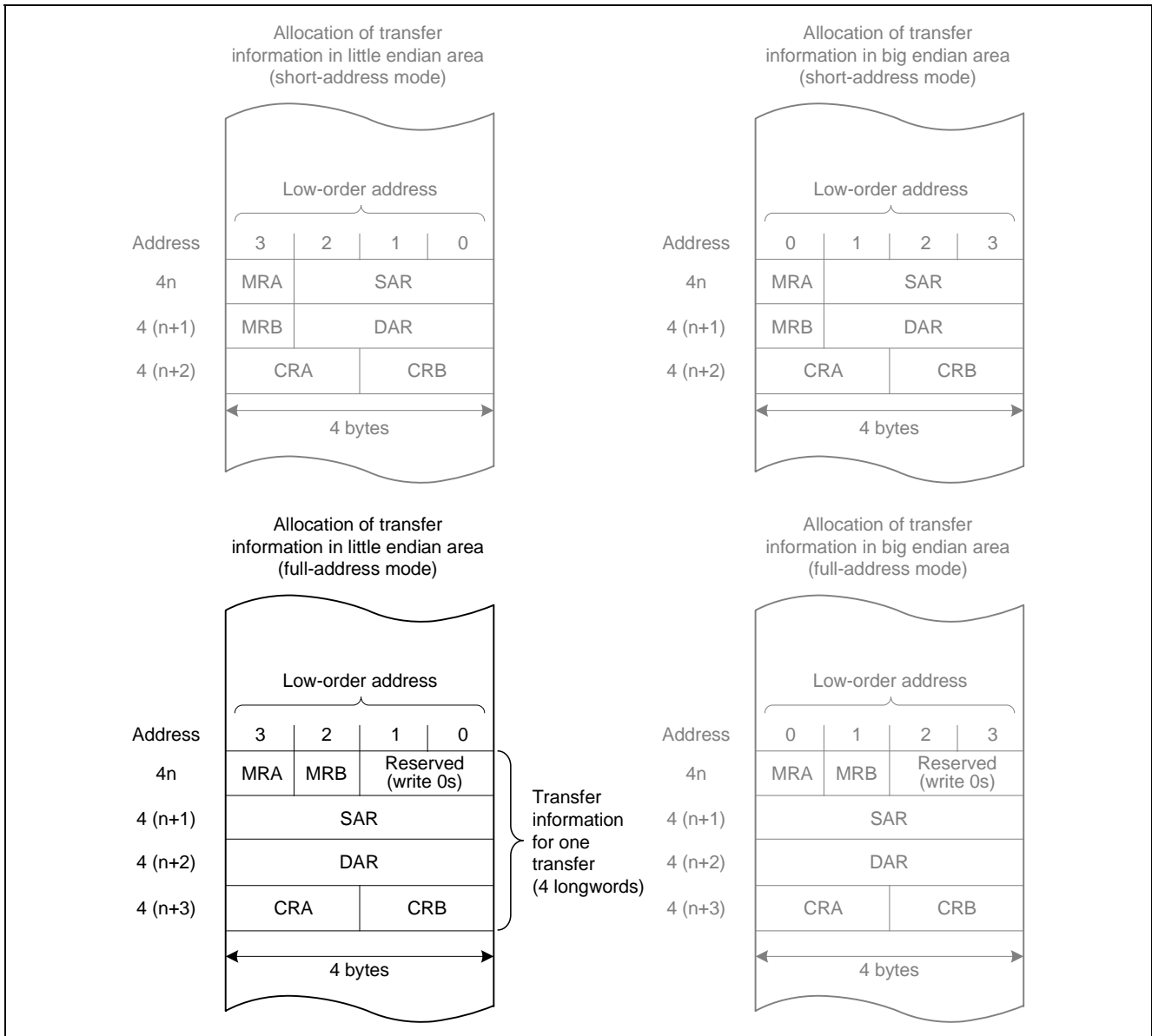


Figure 5 Allocation of Transfer Information

2.2.2 DTC Vector Table

For each activation source, the DTC reads the start address of the transfer information from a vector table and then reads the transfer information from this start address. Figure 6 shows the correspondence between the DTC vector table and the transfer information.

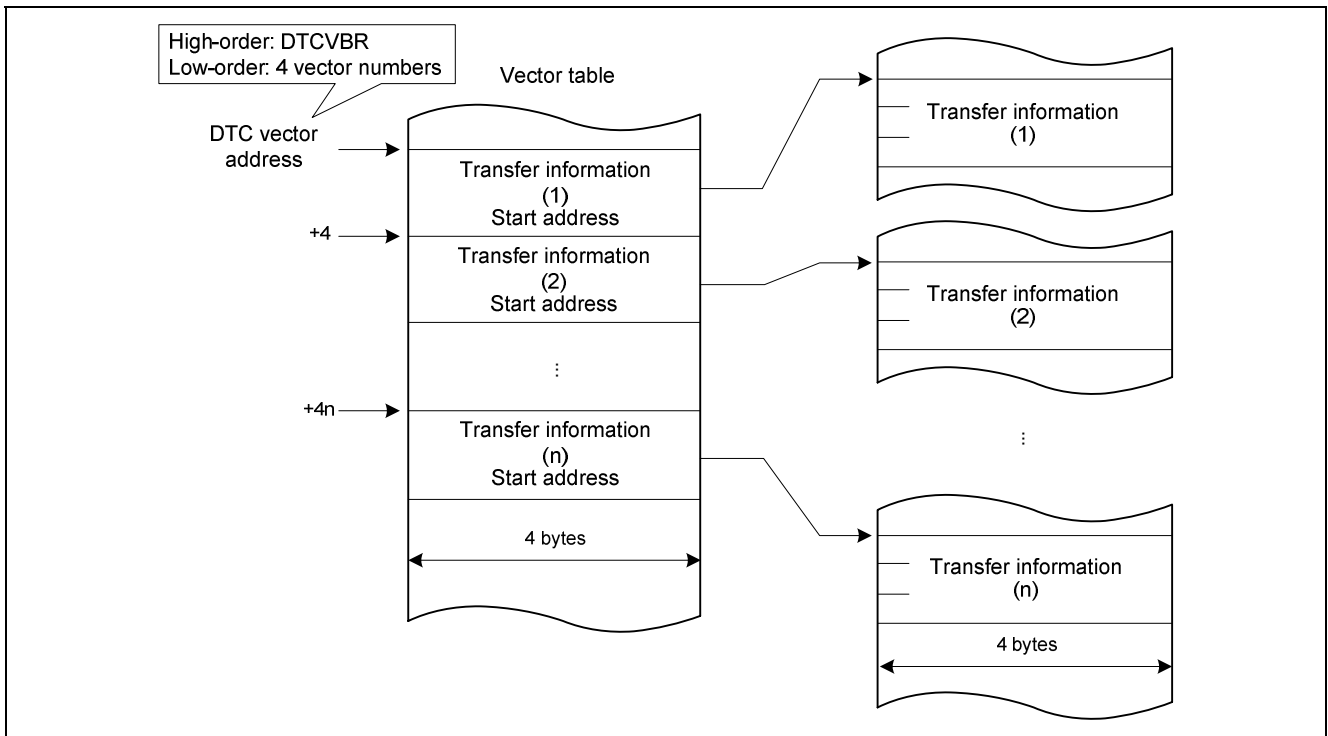


Figure 6 Correspondence Between DTC Vector Table and Transfer Information

2.2.3 Switching the Endian Specification

The RX610 Group supports two ways of arranging byte data: big endian, in which the highest-order byte is located at address 0, and little endian, in which the lowest-order byte is located at address 0. Switching between endian specifications is done by setting the mode pin (MDE) level at a power-on reset. Little endian is selected when the MDE pin is low-level, and big endian is selected when the MDE pin is high-level, at a power-on reset. The access operation differs depending on whether 8-, 16-, or 32-bit access is selected by an instruction and according to the little endian or big endian setting. For details on endian specifications, see the CPU (Endian) section in the *RX610 Group Hardware Manual*.

The sample program presented in this application note uses little endian operation. Therefore, the MDE should be driven low level to select the little endian setting.

3. Operation

Table 3 lists the settings conditions for the SCI communication function, and table 4 the DTC transfer conditions, used by the sample program. Figure 7 shows the operation timing.

Table 3 SCI Settings Conditions

Channel used	SCI1
Communication mode	Asynchronous mode
Interrupts	Transmit data empty interrupt (TXI) Transmit end interrupt (TEI)
Communication speed	38,400 bps (PCLK = 50 MHz)
Data length	8 bits
Stop bits	1 stop bit
Parity	None

Table 4 DTC Transfer Conditions

Conditions	Transfer conditions of SCI transmission-side DTC (TXI1)
Transfer information	Full-address mode
Transfer mode	Normal mode
Number of transfers	256 times
Transfer data	Size: Byte Data contents: 256 bytes consisting of H'00 to H'FF.
Transfer source	On-chip RAM
Transfer destination	Transmit data register (SCI1.TDR)
Transfer source address	Transfer source address is incremented after each transfer.
Transfer destination address	Transfer destination is fixed.
Activation source	SCI transmit data empty interrupt
Interrupt	Interrupt to CPU enabled after specified data transfer finishes.

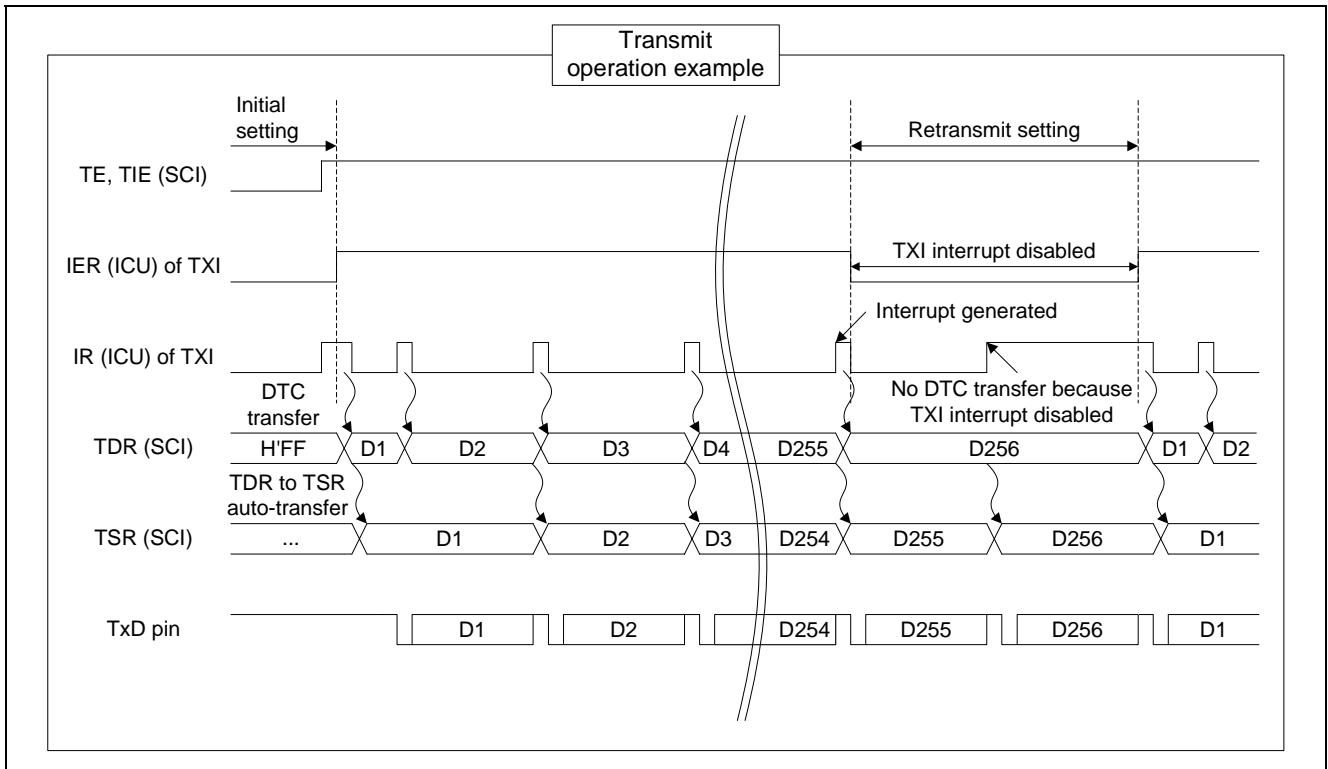


Figure 7 Operation Timing*

Note: Care is required when the DTC module is used for transmission operations. If the next transfer request occurs before the IR flag has been cleared automatically, the transfer request may be lost. For more information, see the article "Notes on DMAC/DTC Transfer Using the RX610 Group Communications Functions" under Technical Updates on the Renesas Electronics Corporation web site.

4. Software

4.1 List of Functions

Table 5 is a list of the functions used by the sample program.

Table 5 List of Functions

Function	Description
HardwareSetup	Initialization processing, clock setting, cancelling of module stop state
main	Main process
icu_init	Initial setting of ICU, interrupt level setting
sci_init	Initial setting of SCI, transfer clock setting
dtc_init	Initial setting of DTC, transfer information setting, DTC vector base register setting, DTC start enable
int_sci_txi1	Transmit interrupt
int_sci_tei1	Transmit end interrupt

4.2 Variables Used

Table 6 lists the variables used by the sample program.

Table 6 List of Variables

Variable, Label	Description
trnsBuf[256]	Array variable for storing serial transmit data
dtx_tx	Structure variable for storing DTC transfer information for SCI transmission
*dtx_table[256]	DTC vector table used to assign dtx_tx address in DTC transfer information

4.3 Processing Sequence

Figures 8 to 14 show the processing sequence of the sample program.

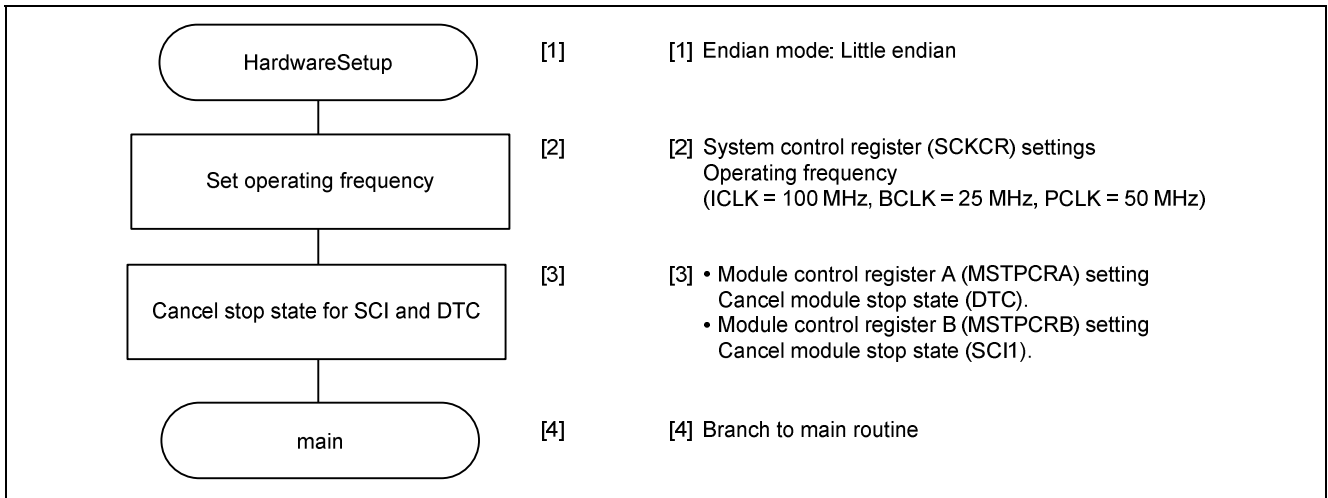


Figure 8 Initialization Processing

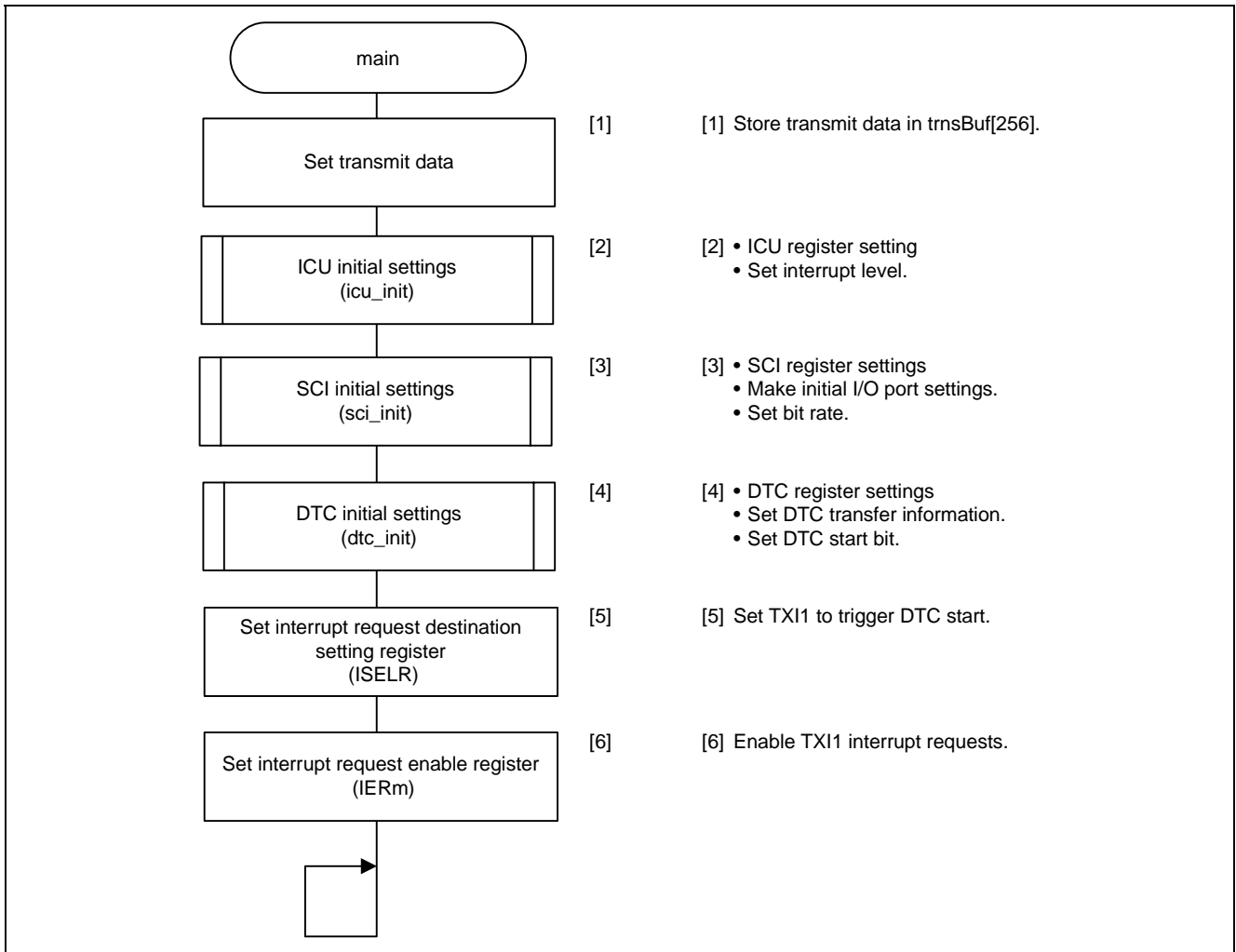


Figure 9 Main Process

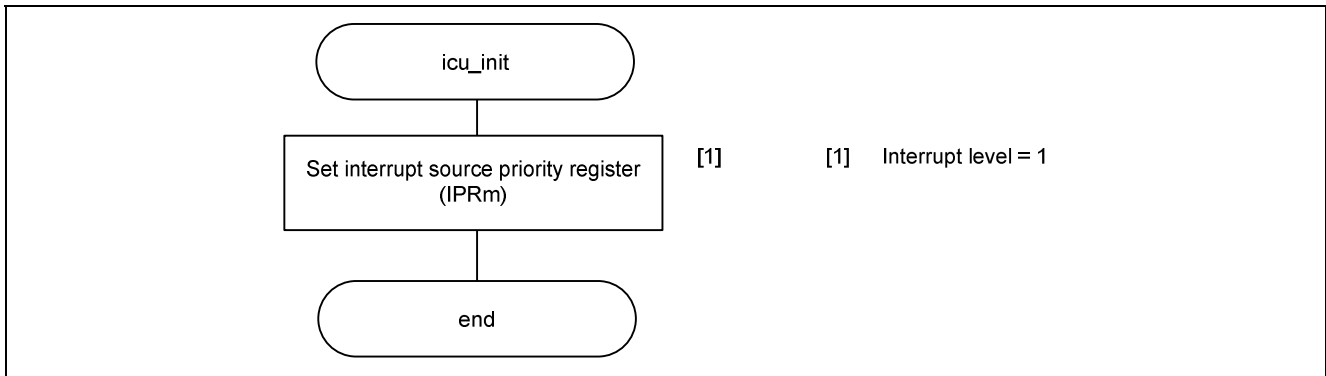


Figure 10 ICU Initial Settings

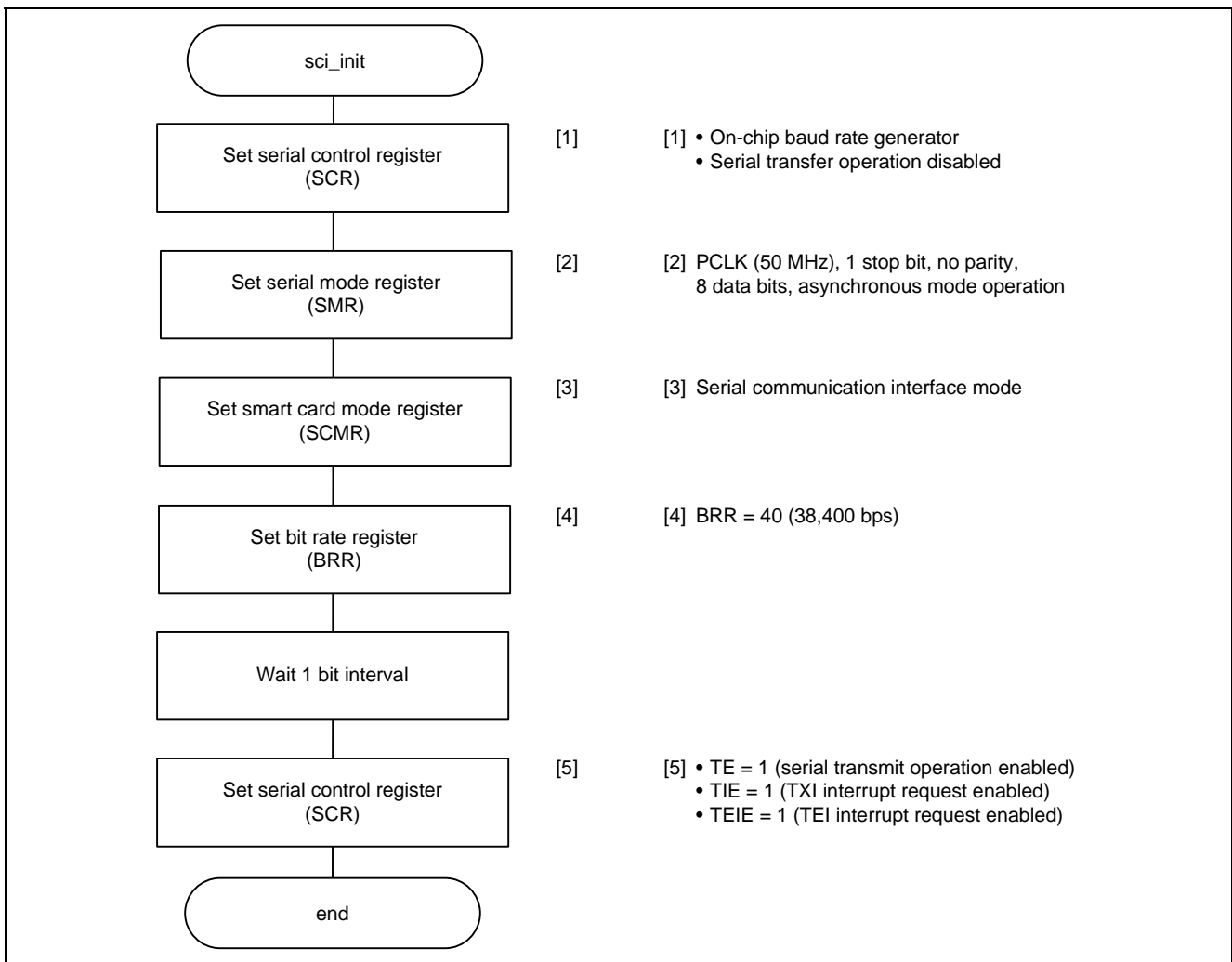


Figure 11 SCI Initial Settings

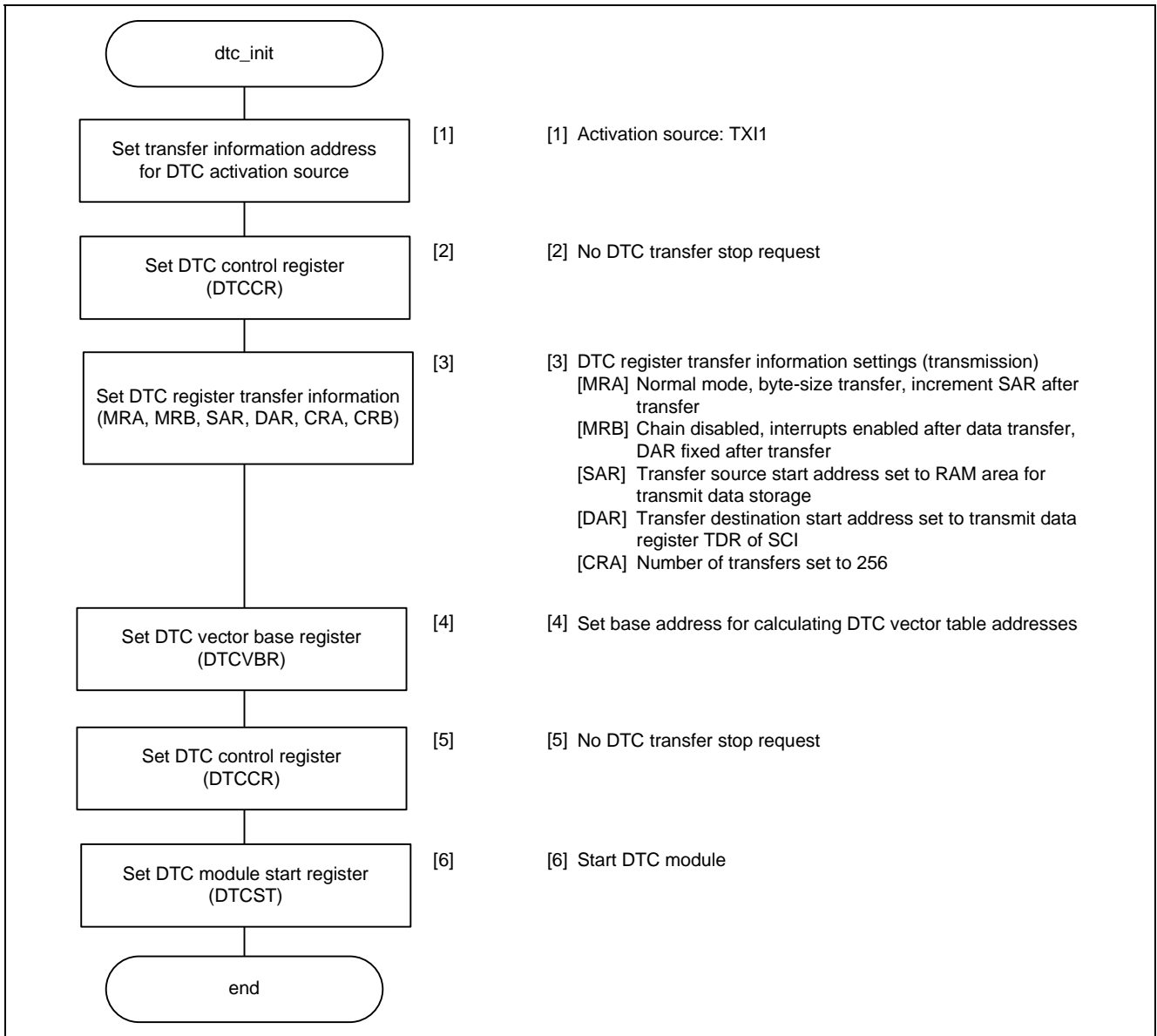


Figure 12 DTC Initial Settings

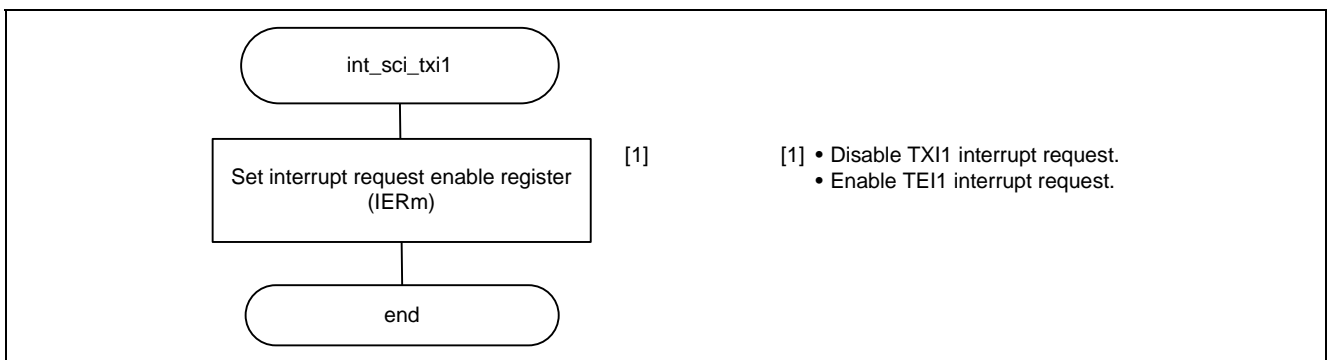


Figure 13 Transmit Interrupt Handler

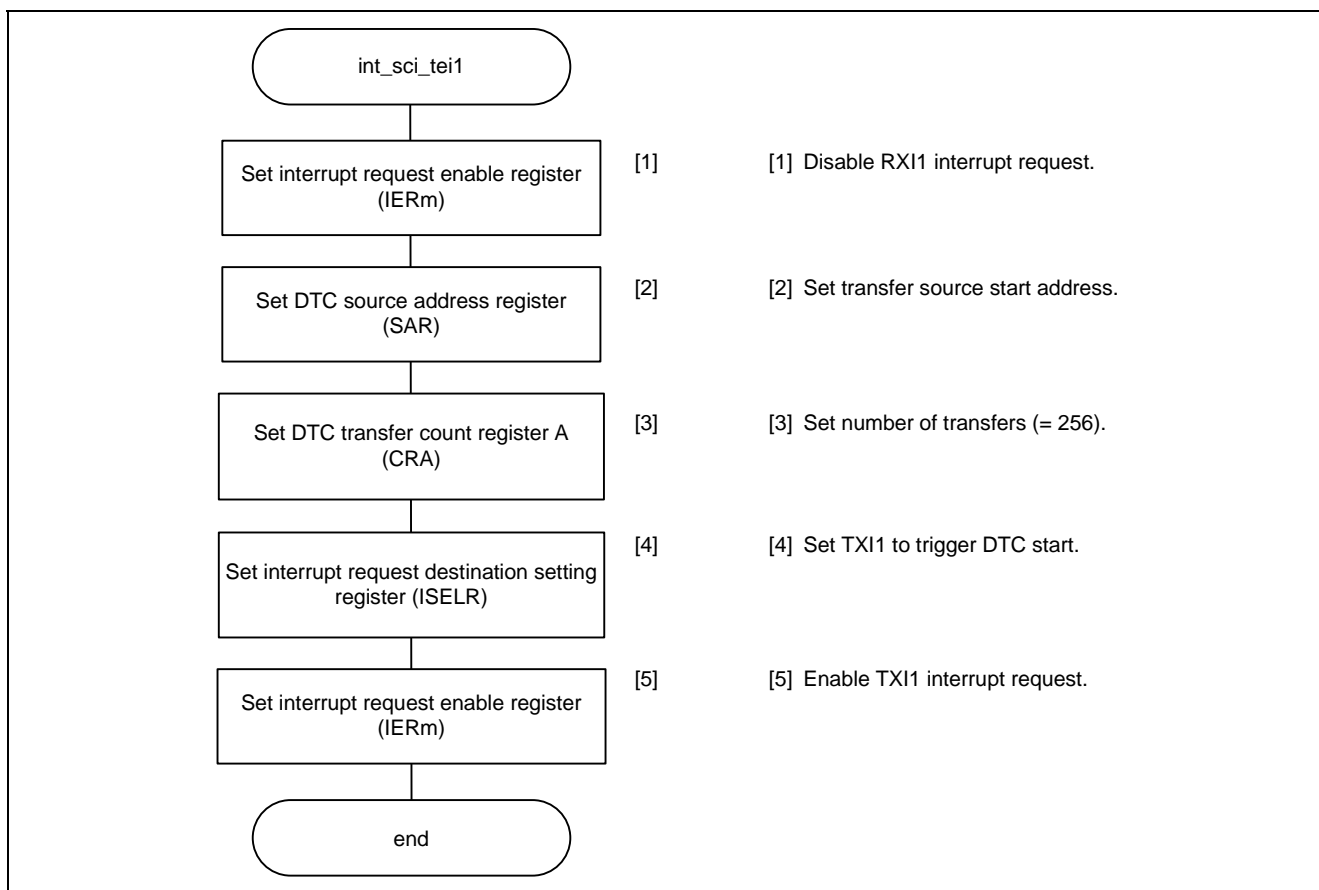


Figure 14 Transmit End Interrupt

5. Verified Operation Environment

Table 7 shows the environment in which operation of the sample program has been verified.

Table 7 Verified Operation Environment

Item	Name
Device	RX610 (R5F56108VNFP)
Board	Evaluation board
Power supply voltage	5.0 V (CPU operating voltage is 3.3 V)
Input clock	12.5 MHz (ICLK = 100 MHz, PCLK = 50 MHz, BCLK = 25 MHz)
Operating temperature	Room temperature
HEW	Version 4.07.00.007
Toolchain	RX Standard Toolchain (V.1.0.0.0) RX Family C/C++ Compile Driver V.1.00.00.001 RX Family C/C++ Compiler V.1.00.00.001 RX Family Assembler V.1.00.00.001 Optimizing Linkage Editor V.10.00.00.001 RX Family C/C++ Standard Library Generator V.1.00.00.001
Debugger	RX E20 SYSTEM V.1.00.00.000

6. Reference Documents

- Hardware Manual
RX610 Group Hardware Manual
(The latest version can be downloaded from the Renesas Electronics Web site.)
- Development Environment Manual
RX Family C/C++ Compiler Package User's Manual
(The latest version can be downloaded from the Renesas Electronics Web site.)
- Technical Updates
(The latest information can be downloaded from the Renesas Electronics Web site.)

Website and Support

Renesas Electronics Website

<http://www.renesas.com/>

Inquiries

<http://www.renesas.com/inquiry>

All trademarks and registered trademarks are the property of their respective owners.

Revision Record

Rev.	Date	Description	
		Page	Summary
1.00	Dec.09.10	—	First edition issued

General Precautions in the Handling of MPU/MCU Products

The following usage notes are applicable to all MPU/MCU products from Renesas. For detailed usage notes on the products covered by this document, refer to the relevant sections of the document as well as any technical updates that have been issued for the products.

1. Handling of Unused Pins

Handle unused pins in accord with the directions given under Handling of Unused Pins in the manual.

- The input pins of CMOS products are generally in the high-impedance state. In operation with an unused pin in the open-circuit state, extra electromagnetic noise is induced in the vicinity of LSI, an associated shoot-through current flows internally, and malfunctions occur due to the false recognition of the pin state as an input signal become possible. Unused pins should be handled as described under Handling of Unused Pins in the manual.

2. Processing at Power-on

The state of the product is undefined at the moment when power is supplied.

- The states of internal circuits in the LSI are indeterminate and the states of register settings and pins are undefined at the moment when power is supplied.

In a finished product where the reset signal is applied to the external reset pin, the states of pins are not guaranteed from the moment when power is supplied until the reset process is completed. In a similar way, the states of pins in a product that is reset by an on-chip power-on reset function are not guaranteed from the moment when power is supplied until the power reaches the level at which resetting has been specified.

3. Prohibition of Access to Reserved Addresses

Access to reserved addresses is prohibited.

- The reserved addresses are provided for the possible future expansion of functions. Do not access these addresses; the correct operation of LSI is not guaranteed if they are accessed.

4. Clock Signals

After applying a reset, only release the reset line after the operating clock signal has become stable. When switching the clock signal during program execution, wait until the target clock signal has stabilized.

- When the clock signal is generated with an external resonator (or from an external oscillator) during a reset, ensure that the reset line is only released after full stabilization of the clock signal. Moreover, when switching to a clock signal produced with an external resonator (or by an external oscillator) while program execution is in progress, wait until the target clock signal is stable.

5. Differences between Products

Before changing from one product to another, i.e. to a product with a different part number, confirm that the change will not lead to problems.

- The characteristics of an MPU or MCU in the same group but having a different part number may differ in terms of the internal memory capacity, layout pattern, and other factors, which can affect the ranges of electrical characteristics, such as characteristic values, operating margins, immunity to noise, and amount of radiated noise. When changing to a product with a different part number, implement a system-evaluation test for the given product.

Notice

1. All information included in this document is current as of the date this document is issued. Such information, however, is subject to change without any prior notice. Before purchasing or using any Renesas Electronics products listed herein, please confirm the latest product information with a Renesas Electronics sales office. Also, please pay regular and careful attention to additional and different information to be disclosed by Renesas Electronics such as that disclosed through our website.
 2. Renesas Electronics does not assume any liability for infringement of patents, copyrights, or other intellectual property rights of third parties by or arising from the use of Renesas Electronics products or technical information described in this document. No license, express, implied or otherwise, is granted hereby under any patents, copyrights or other intellectual property rights of Renesas Electronics or others.
 3. You should not alter, modify, copy, or otherwise misappropriate any Renesas Electronics product, whether in whole or in part.
 4. Descriptions of circuits, software and other related information in this document are provided only to illustrate the operation of semiconductor products and application examples. You are fully responsible for the incorporation of these circuits, software, and information in the design of your equipment. Renesas Electronics assumes no responsibility for any losses incurred by you or third parties arising from the use of these circuits, software, or information.
 5. When exporting the products or technology described in this document, you should comply with the applicable export control laws and regulations and follow the procedures required by such laws and regulations. You should not use Renesas Electronics products or the technology described in this document for any purpose relating to military applications or use by the military, including but not limited to the development of weapons of mass destruction. Renesas Electronics products and technology may not be used for or incorporated into any products or systems whose manufacture, use, or sale is prohibited under any applicable domestic or foreign laws or regulations.
 6. Renesas Electronics has used reasonable care in preparing the information included in this document, but Renesas Electronics does not warrant that such information is error free. Renesas Electronics assumes no liability whatsoever for any damages incurred by you resulting from errors in or omissions from the information included herein.
 7. Renesas Electronics products are classified according to the following three quality grades: "Standard", "High Quality", and "Specific". The recommended applications for each Renesas Electronics product depends on the product's quality grade, as indicated below. You must check the quality grade of each Renesas Electronics product before using it in a particular application. You may not use any Renesas Electronics product for any application categorized as "Specific" without the prior written consent of Renesas Electronics. Further, you may not use any Renesas Electronics product for any application for which it is not intended without the prior written consent of Renesas Electronics. Renesas Electronics shall not be in any way liable for any damages or losses incurred by you or third parties arising from the use of any Renesas Electronics product for an application categorized as "Specific" or for which the product is not intended where you have failed to obtain the prior written consent of Renesas Electronics. The quality grade of each Renesas Electronics product is "Standard" unless otherwise expressly specified in a Renesas Electronics data sheets or data books, etc.
"Standard": Computers; office equipment; communications equipment; test and measurement equipment; audio and visual equipment; home electronic appliances; machine tools; personal electronic equipment; and industrial robots.
"High Quality": Transportation equipment (automobiles, trains, ships, etc.); traffic control systems; anti-disaster systems; anti-crime systems; safety equipment; and medical equipment not specifically designed for life support.
"Specific": Aircraft; aerospace equipment; submersible repeaters; nuclear reactor control systems; medical equipment or systems for life support (e.g. artificial life support devices or systems), surgical implantations, or healthcare intervention (e.g. excision, etc.), and any other applications or purposes that pose a direct threat to human life.
 8. You should use the Renesas Electronics products described in this document within the range specified by Renesas Electronics, especially with respect to the maximum rating, operating supply voltage range, movement power voltage range, heat radiation characteristics, installation and other product characteristics. Renesas Electronics shall have no liability for malfunctions or damages arising out of the use of Renesas Electronics products beyond such specified ranges.
 9. Although Renesas Electronics endeavors to improve the quality and reliability of its products, semiconductor products have specific characteristics such as the occurrence of failure at a certain rate and malfunctions under certain use conditions. Further, Renesas Electronics products are not subject to radiation resistance design. Please be sure to implement safety measures to guard them against the possibility of physical injury, and injury or damage caused by fire in the event of the failure of a Renesas Electronics product, such as safety design for hardware and software including but not limited to redundancy, fire control and malfunction prevention, appropriate treatment for aging degradation or any other appropriate measures. Because the evaluation of microcomputer software alone is very difficult, please evaluate the safety of the final products or system manufactured by you.
 10. Please contact a Renesas Electronics sales office for details as to environmental matters such as the environmental compatibility of each Renesas Electronics product. Please use Renesas Electronics products in compliance with all applicable laws and regulations that regulate the inclusion or use of controlled substances, including without limitation, the EU RoHS Directive. Renesas Electronics assumes no liability for damages or losses occurring as a result of your noncompliance with applicable laws and regulations.
 11. This document may not be reproduced or duplicated, in any form, in whole or in part, without prior written consent of Renesas Electronics.
 12. Please contact a Renesas Electronics sales office if you have any questions regarding the information contained in this document or Renesas Electronics products, or if you have any other inquiries.
- (Note 1) "Renesas Electronics" as used in this document means Renesas Electronics Corporation and also includes its majority-owned subsidiaries.
(Note 2) "Renesas Electronics product(s)" means any product developed or manufactured by or for Renesas Electronics.



SALES OFFICES

Renesas Electronics Corporation

<http://www.renesas.com>

Refer to "<http://www.renesas.com/>" for the latest and detailed information.

Renesas Electronics America Inc.

2880 Scott Boulevard Santa Clara, CA 95050-2554, U.S.A.
Tel: +1-408-588-6000, Fax: +1-408-588-6130

Renesas Electronics Canada Limited

1101 Nicholson Road, Newmarket, Ontario L3Y 9C3, Canada
Tel: +1-905-898-5441, Fax: +1-905-898-3220

Renesas Electronics Europe Limited

Dukes Meadow, Millboard Road, Bourne End, Buckinghamshire, SL8 5FH, U.K
Tel: +44-1628-585-100, Fax: +44-1628-585-900

Renesas Electronics Europe GmbH

Arcadiastrasse 10, 40472 Düsseldorf, Germany
Tel: +49-211-65030, Fax: +49-211-6503-1327

Renesas Electronics (China) Co., Ltd.

7th Floor, Quantum Plaza, No.27 ZhichunLu Haidian District, Beijing 100083, P.R.China
Tel: +86-10-8235-1155, Fax: +86-10-8235-7679

Renesas Electronics (Shanghai) Co., Ltd.

Unit 204, 205, AZIA Center, No.1233 Lujiazui Ring Rd., Pudong District, Shanghai 200120, China
Tel: +86-21-5877-1818, Fax: +86-21-6887-7858 / -7898

Renesas Electronics Hong Kong Limited

Unit 1601-1613, 16/F., Tower 2, Grand Century Place, 193 Prince Edward Road West, Mongkok, Kowloon, Hong Kong
Tel: +852-2886-9318, Fax: +852 2886-9022/9044

Renesas Electronics Taiwan Co., Ltd.

7F, No. 363 Fu Shing North Road Taipei, Taiwan
Tel: +886-2-8175-9600, Fax: +886 2-8175-9670

Renesas Electronics Singapore Pte. Ltd.

1 HarbourFront Avenue, #06-10, Keppel Bay Tower, Singapore 098632
Tel: +65-6213-0200, Fax: +65-6278-8001

Renesas Electronics Malaysia Sdn.Bhd.

Unit 906, Block B, Menara Amcorp, Amcorp Trade Centre, No. 18, Jln Persiaran Barat, 46050 Petaling Jaya, Selangor Darul Ehsan, Malaysia
Tel: +60-3-7955-9390, Fax: +60-3-7955-9510

Renesas Electronics Korea Co., Ltd.

11F., Samik Lavied' or Bldg., 720-2 Yeoksam-Dong, Kangnam-Ku, Seoul 135-080, Korea
Tel: +82-2-558-3737, Fax: +82-2-558-5141