

RL78/G13

R01AN0451EJ0201

Rev. 2.01

May 16, 2014

Initialization [for CubeSuite+, IAR, and e2studio]

Introduction

This application note describes the basic setting items that are necessary for initializing the RL78/G13.

The sample program discussed in this application note initializes the RL78/G13 and provides on/off control of three LEDs according to the combination of two switch input states.

Target Device

RL78/G13

When applying the sample program covered in this application note to another microcomputer, modify the program according to the specifications for the target microcomputer and conduct an extensive evaluation of the modified program.

Contents

1. Specification	3
2. Operation Check Conditions	4
3. Description of the Hardware	5
3.1 Hardware Configuration Example	5
3.2 List of Pins to be used	5
4. Description of the Software	6
4.1 Operation Outline	6
4.2 List of Option Byte Settings.....	7
4.3 List of Functions.....	7
4.4 Function Specifications	8
4.5 Flowcharts	10
4.5.1 Initialization Function.....	17
4.5.2 System function.....	18
4.5.3 Setting up the I/O Ports	19
4.5.4 CPU Clock Setup	23
4.5.5 Main Processing.....	29
5. Sample Code	30
6. Documents for Reference	30

1. Specification

The sample program described in this application note performs basic initialization steps such as the setup of the clock frequency and input/output ports. After the initialization, the program controls, in its main processing routine, the on/off of three LEDs according to the combination of two switch input states.

Table 1.1 lists the Peripheral Functions to be Used and their Uses and figure 1.1 shows the outline of the initialization processing.

Table 1.1 Peripheral Functions to be Used and their Uses

Peripheral Function	Use
Port input/output	Switch input (SW1 and SW2) LED on/off control (LED1 to LED3)

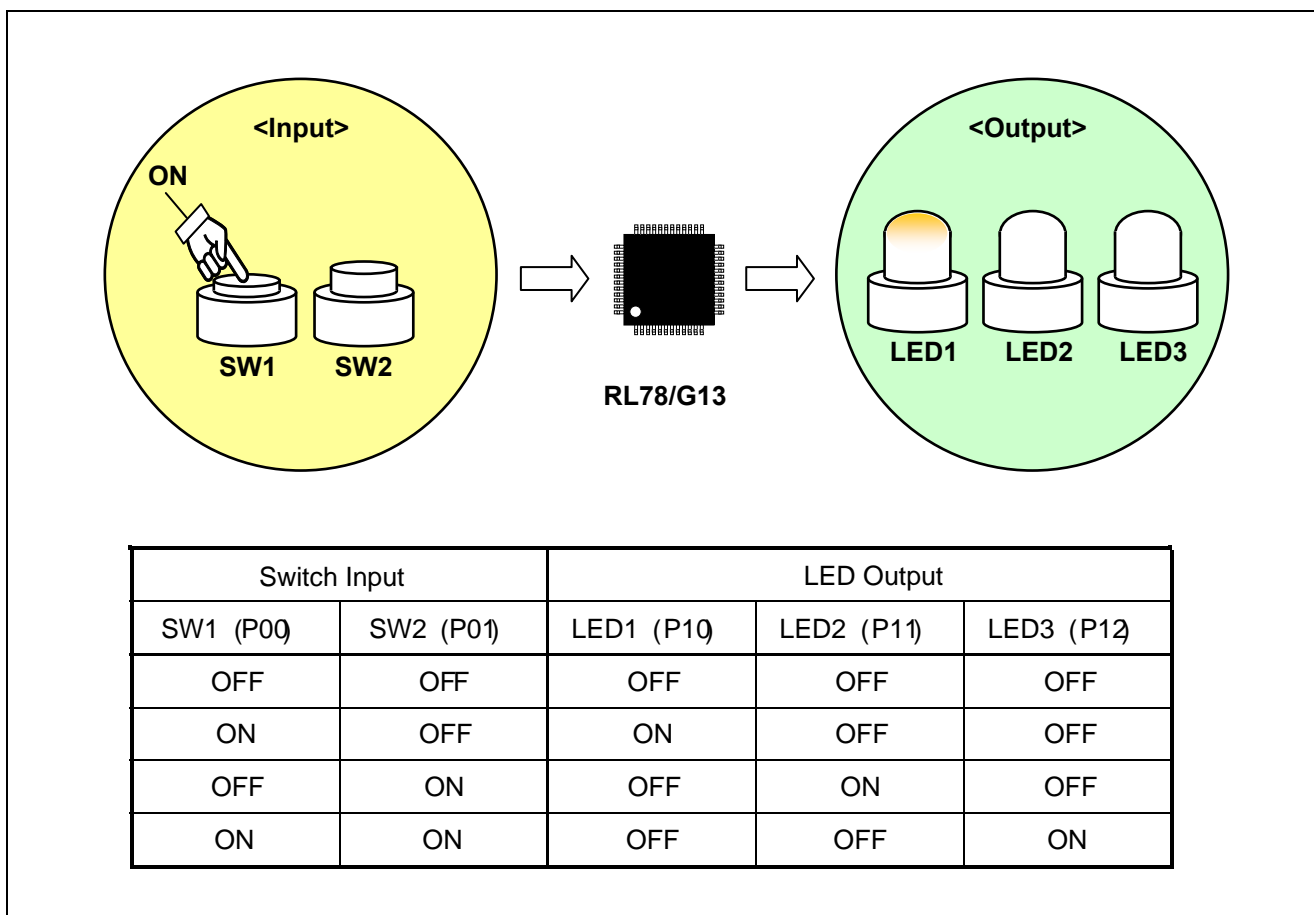


Figure 1.1 Initialization Outline

2. Operation Check Conditions

The sample code contained in this application note has been checked under the conditions listed in the table below.

Table 2.1 Operation Check Conditions

Item	Description
Microcontroller used	RL78/G13 (R5F100LEA)
Operating frequency	<ul style="list-style-type: none"> High-speed on-chip oscillator (HOCO) clock: 32 MHz CPU/peripheral hardware clock: 32 MHz
Operating voltage	5.0 V (can run on a voltage range of 2.9 V to 5.5 V.) LVD operation (V_{LVD}): Reset mode 2.81 V (2.76 V to 2.87 V)
Integrated development environment (CubeSuite+)	CubeSuite + V1.00.01 from Renesas Electronics Corp.
C compiler (CubeSuite+)	CA78K0R V1.20 from Renesas Electronics Corp.
Integrated development environment (e2studio)	e2studio V2.0.1.3 from Renesas Electronics Corp.
C compiler (e2studio)	KPIT GNURL78-ELF Toolchain V13.02 from Renesas Electronics Corp.
Integrated development environment (IAR)	IAR Embedded Workbench for Renesas RL78 V1.30.2
C compiler (IAR)	IAR C/C++ Compiler for Renesas RL78 V1.30.2

3. Description of the Hardware

3.1 Hardware Configuration Example

The example of configuration of the hardware that is used for this application note is shown below.

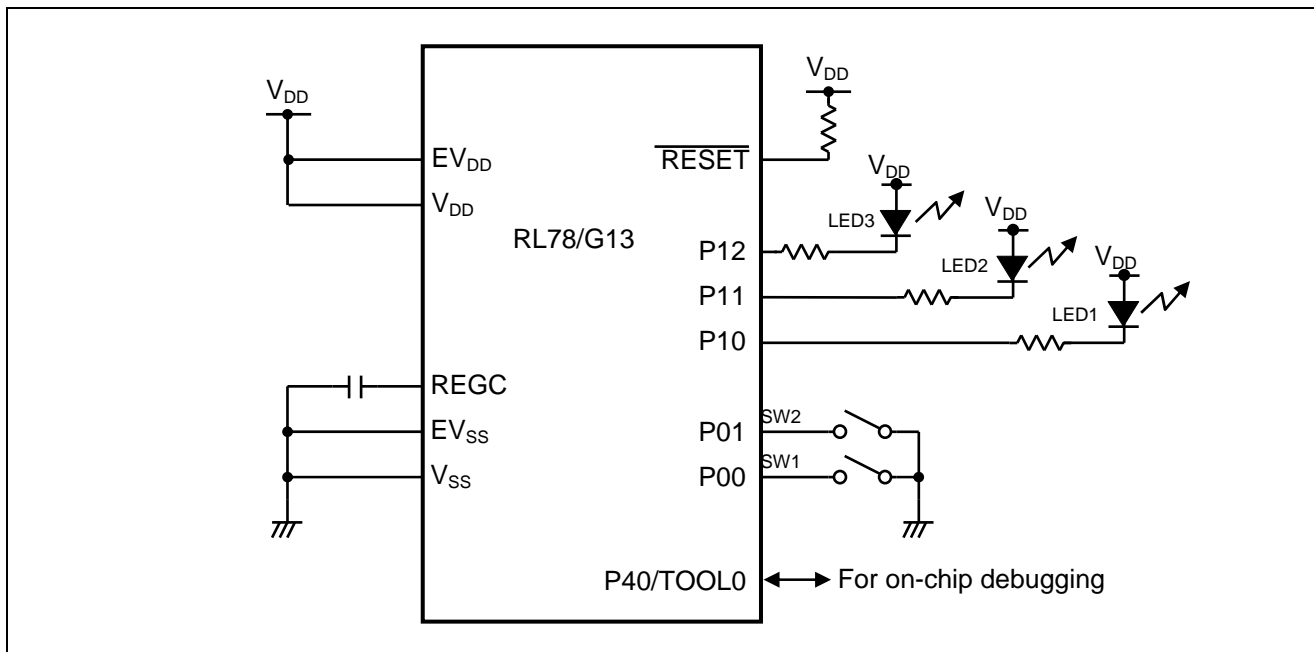


Figure 3.1 Hardware Configuration

- Notes
- 1: The purpose of this circuit is only to provide the connection outline and the circuit is simplified accordingly. When designing and implementing an actual circuit, provide proper pin treatment and make sure that the hardware's electrical characteristics conditions are met (connect the input-dedicated ports separately to V_{DD} or V_{SS} via a resistor).
 - 2: Connect any pins whose name begins with EV_{SS} to V_{SS} and any pins whose name begins with EV_{DD} to V_{DD} , respectively.
 - 3: V_{DD} must be held at not lower than the reset release voltage (V_{LVD}) that is specified as LVD.

3.2 List of Pins to be used

Table 3.1 lists the Pins to be Used and Their Functions.

Table 3.1 Pins to be Used and Their Functions

Pin Name	I/O	Description
P00	Input	Switch input (SW1) port
P01	Input	Switch input (SW2) port
P10	Output	LED on (LED1) control port
P11	Output	LED on (LED2) control port
P12	Output	LED on (LED3) control port

4. Description of the Software

4.1 Operation Outline

The sample program described in this application note initializes the CPU (e.g., selecting the CPU clock frequency) and sets up its I/O ports.

After completing the hardware setup, the sample program controls the on/off of three LEDs (LED1 to LED3) according to the combination of states of two switch inputs (SW1 and SW2).

- (1) CPU initialization*
 - Sets up the peripheral I/O redirection function.
 - Sets up the I/O ports.
 - Sets up the CPU clock.

Note: The option bytes are referenced before the CPU is initialized.

<Setup conditions>

- Sets the reset value because the CPU does not use the peripheral I/O redirection function (PIOR register).
 - Makes the following configurations for the I/O ports:
 - (1) Configures the ports that are configured for analog input after the release of the reset state for digital I/O (ADPC register and port mode control register).
 - (2) Configures P00 and P01 which are to be used as switch inputs (SW1 and SW2) for input and the other ports for output (port mode register).
 - (3) Connects on-chip pull-up resistors to P00 and P01 which are to be used as switch inputs (SW1 and SW2) (pull-up resistor option register).
 - (4) Sets P10 to P12 which are to be used for on/off control of LEDs (LED1 to LED3) to 1 and the other unused pins to 0 (port register).
 - Sets up the CPU clock.
 - (1) Sets the reset value because the high-speed system clock and subsystem clock are not to be in use (clock operation mode control (CMC) register and clock operation status control (CSC) register).
 - (2) Selects the main system clock (f_{MAIN}) as the CPU/peripheral hardware clock (f_{CLK}) and HOCO (f_{IH}) as the main system clock (f_{MAIN}) (system clock control (CKC) register).
- (2) Executes the main processing.
- Performs the LED output control as summarized in Table 3.1 according to the state of the switch inputs (SW1 and SW2).

Table 4.1 Main Processing

Switch Input		LED Output		
SW1 (P00)	SW2 (P01)	LED1 (P10)	LED2 (P11)	LED3 (P12)
OFF	OFF	OFF	OFF	OFF
ON	OFF	ON	OFF	OFF
OFF	ON	OFF	ON	OFF
ON	ON	OFF	OFF	ON

Note: Refer to RL78/G13 User's Manual for notes on device use.

4.2 List of Option Byte Settings

Table 4.2 summarizes the settings of the option bytes.

Table 4.2 Option Byte Settings

Address	Value	Description
000C0H/010C0H	01101110B	Stops the watchdog timer operation. (Stops counting after the release of the reset state.)
000C1H/010C1H	01111111B	LVD reset mode 2.81 V (2.76 V to 2.87 V)
000C2H/010C2H	11101000B	HS mode HOCO: 32 MHz
000C3H/010C3H	10000100B	Enables the on-chip debugging function.

4.3 List of Functions

Table 4.3 lists the functions that are used by this sample program.

Table 4.3 Functions

Function Name	Outline
hdwinit	Initializes the hardware settings.
R_Systeminit	Calls the hardware initialization functions.
R_PORT_Create	Initializes the I/O ports.
R_CGC_Create	Initializes the clock generator.
main	Main function

4.4 Function Specifications

This section describes the specifications for the functions that are used in the sample code.

[Function Name] `hdwinit`

Synopsis	Initialize hardware settings.
Header	<code>r_cg_macrodriver.h</code> <code>r_cg_cgc.h</code> <code>r_cg_port.h</code> <code>r_cg_userdefine.h</code>
Declaration	<code>void hdwinit(void)</code>
Explanation	Performs the following operations: (1) Executes the DI instruction. (2) Executes the function <code>R_Systeminit()</code> . (3) Executes the EI instruction.
Arguments	None
Return value	None
Remarks	This function is called by the startup routine.

[Function Name] `R_Systeminit`

Synopsis	Call hardware initialization functions.
Header	<code>r_cg_macrodriver.h</code> <code>r_cg_cgc.h</code> <code>r_cg_port.h</code> <code>r_cg_userdefine.h</code>
Declaration	<code>void R_Systeminit(void)</code>
Explanation	Performs the following operations: (1) Sets the initial value of the peripheral I/O redirection register (PIOR). (2) Executes the function <code>R_PORT_Create()</code> . (3) Executes the function <code>R_CGC_Create()</code> . (4) Sets the initial value of the flash memory CRC control register (CRCOCTL). (5) Sets the initial value of the invalid memory access detection control register (IAWCTL).
Arguments	None
Return value	None
Remarks	

[Function Name] `R_PORT_Create`

Synopsis	Initialize I/O ports.
Header	<code>r_cg_macrodriver.h</code> <code>r_cg_port.h</code> <code>r_cg_userdefine.h</code>
Declaration	<code>void R_PORT_Create(void)</code>
Explanation	Configures P00 and P01 for input (enabling the on-chip pull-up resistor) and P10, P11, and P12 for output (high-level output). Configures the other ports except pin P40 for output (low-level output).
Arguments	None
Return value	None
Remarks	

[Function Name] R_CGC_Create

Synopsis	Initialize the clock generator.
Header	r_cg_macrodriver.h r_cg_cg.c.h r_cg_userdefine.h
Declaration	void R_CGC_Create(void)
Explanation	Initializes the registers related to the clock generator.
Arguments	None
Return value	None
Remarks	

[Function Name] main

Synopsis	Main function
Header	r_cg_macrodriver.h r_cg_cg.c.h r_cg_port.h r_cg_userdefine.h
Declaration	void main(void)
Explanation	main function of the C language Places the following outputs in P1 according to the values of SW1 (P00) and SW2 (P01):
	SW2:SW1 : PORT1
	0:0 : 0b00000011
	0:1 : 0b00000101
	1:0 : 0b00000110
	1:1 : 0b00000111
Arguments	None
Return value	None
Remarks	

4.5 Flowcharts

Shown below is the overall flow of the sample program described in this application note.

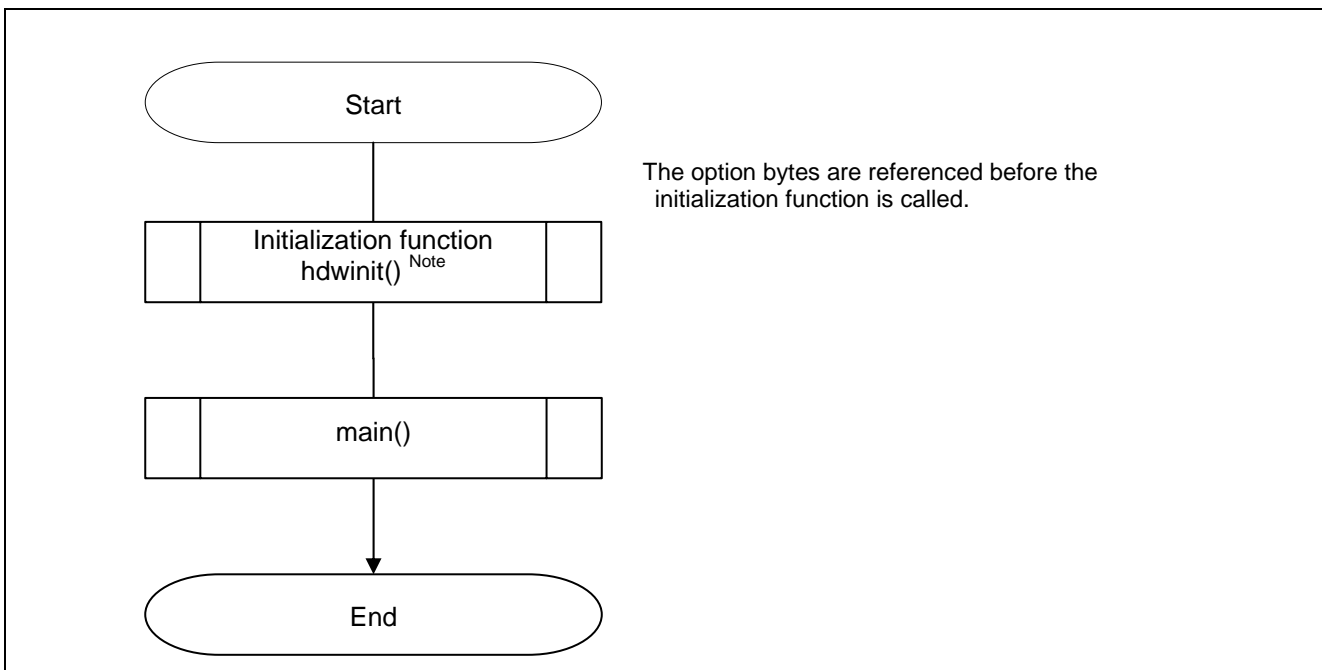


Figure 4.1 Overall Flow

Note: The `__low_level_init` function initializes the system in IAR Workbench IDE-Oriented sample code.

Option byte configuration outline

The option bytes of the RL78/G13 are made up of user option bytes (000C0H-000C2H/010C0H-010C2H^{*1 *2 *3}) and on-chip debugging option bytes (000C3H/010C3H^{*4}).

The option bytes are automatically referenced and the prespecified functions are set up when power is first supplied or after the release of the reset state. The option bytes cannot be set up by any user program.

The option bytes can exercise the controls listed below. They must be set up without fail before the microcomputer is to be used.

User option bytes

- Makes settings related to the watchdog timer (000C0H/010C0H^{*1}).
- Makes LVD-related settings (000C1H/010C1H^{*2}).
- Sets up the HOCO and flash memory (000C2H/010C2H^{*3}).

On-chip debugging option bytes (000C3H/010C3H^{*4})

- Notes:
1. 010C0H must also set to be the same value as 000C0H because the contents of 000C0H and 010C0H are swapped at boot swap time.
 2. 010C1H must also set to be the same value as 000C1H because the contents of 000C1H and 010C1H are swapped at boot swap time.
 3. 010C2H must also set to be the same value as 000C2H because the contents of 000C2H and 010C2H are swapped at boot swap time.
 4. 010C3H must also set to be the same value as 000C3H because the contents of 000C3H and 010C3H are swapped at boot swap time.

The option bytes can be specified through "User Option Byte Values" on the "Device" panel on the CubeSuite+ "Link Option" tag.

Note: For details on the procedure for setting up the CubeSuite+ link options, refer to the CubeSuite+ tutorial.

(1) 000C0H / 010C0H* (watchdog timer related settings)

7	6	5	4	3	2	1	0
WDTINT	WINDOW1	WINDOW0	WDTON	WDCS2	WDCS1	WDCS0	WDSTBON
0	1	1	0	1	1	1	0

Bit 0

WDSTBYON	Control of watchdog timer counter
0	Disables counter operation in HALT/STOP mode.
1	Enables counter operation in HALT/STOP mode.

Bits 3 to 1

WDCS2-0	Watchdog timer overflow time
000	$2^6/f_{IL}$
001	$2^7/f_{IL}$
010	$2^8/f_{IL}$
011	$2^9/f_{IL}$
100	$2^{11}/f_{IL}$
101	$2^{13}/f_{IL}$
110	$2^{14}/f_{IL}$
111	$2^{16}/f_{IL}$

Bit 4

WDTON	Control of watchdog timer counter
0	Disables counter operation. (Stops counter after the release of reset sequence.)
1	Enables counter operation. (Starts counter after the release of reset sequence.)

Bits 6 to 5

WINDOW1 WINDOW0	Watchdog timer window open period
00	Setting prohibited
01	50%
10	75%
11	100%

Bit 7

WDTINT	Use of interval interrupts
0	Interval interrupt is not used.
1	An interval interrupt is generated when $75\%+1/2f_{IL}$ is reached.

Note: 010C0H must also set to be the same value as 000C0H because the contents of 000C0H and 010C0H are swapped at boot swap time.

(2) 000C1H / 010C1H* (LVD-related settings)

7	6	5	4	3	2	1	0
VPOC2	VPOC1	VPOC0	1	LVIS1	LVIS0	LVIMDS1	LVIMDS0
0	1	1	1	1	1	1	1

When use as interrupt & reset mode

Detection Voltage			Option Byte Setting Value										
V _{LVDH}		V _{LVDL}	LVIMDS1	LVIMDS0	VPOC2	VPOC1	LVIS1	LVIS0					
Rising edge	Falling edge	Falling edge											
1.77 V	1.73 V	1.63 V	1	0	0	0	0	1	0				
1.88 V	1.84 V							0	1				
2.92 V	2.86 V							0	0				
1.98 V	1.94 V	1.84 V			0	0	0	1	1	0			
2.09 V	2.04 V								0	1			
3.13 V	3.06 V								0	0			
2.61 V	2.55 V	2.45 V			0	1	0	1	0	1	0		
2.71 V	2.65 V									0	1		
3.75 V	3.67 V									0	0		
2.92 V	2.86 V	2.75 V					0	1	0	1	1	1	0
3.02 V	2.96 V											0	1
4.06 V	3.98 V											0	0
Other than above			Setting prohibited										

When used as reset mode

Detection Voltage		Option Byte Setting Value													
V _{LVD}		LVIMDS1	LVIMDS0	VPOC2	VPOC1	VPOC0	LVIS1	LVIS0							
Rising edge	Falling edge														
1.67 V	1.63 V	1	1	0	0	0	1	1							
1.77 V	1.73 V								0	0					
1.88 V	1.84 V								0	1					
1.98 V	1.94 V								0	1					
2.09 V	2.04 V								0	1					
2.50 V	2.45 V								0	1					
2.61 V	2.55 V								0	1					
2.71 V	2.65 V								0	1					
2.81 V	2.75 V								0	1					
2.92 V	2.86 V								0	1					
3.02 V	2.96 V								0	1					
3.13 V	3.06 V								0	1					
3.75 V	3.67 V								0	0					
4.06 V	3.98 V								0	0					
Other than above									Setting prohibited						

Note: 010C1H must also set to be the same value as 000C1H because the contents of 000C1H and 010C1H are swapped at boot swap time.

When used as interrupt mode

Detection Voltage		Option Byte Setting Value						
V_{LVD}		LVIMDS1	LVIMDS0	VPOC2	VPOC1	VPOC0	LVIS1	LVIS0
Rising edge	Falling edge							
1.67 V	1.63 V	1	1	0	0	0	1	1
1.77 V	1.73 V			0	0	0	1	0
1.88 V	1.84 V			0	0	1	1	1
1.98 V	1.94 V			0	0	1	1	0
2.09 V	2.04 V			0	0	1	0	1
2.50 V	2.45 V			0	1	0	1	1
2.61 V	2.55 V			0	1	0	1	0
2.71 V	2.65 V			0	1	0	0	1
2.81 V	2.75 V			0	1	1	1	1
2.92 V	2.86 V			0	1	1	1	0
3.02 V	2.96 V			0	1	1	0	1
3.13 V	3.06 V			0	0	1	0	0
3.75 V	3.67 V			0	1	0	0	0
4.06 V	3.98 V			0	1	1	0	0
Other than above				Setting prohibited				

When LVD is off

Detection Voltage		Option Byte Setting Value						
V_{LVD}		LVIMDS1	LVIMDS0	VPOC2	VPOC1	VPOC0	LVIS1	LVIS0
Rising edge	Falling edge							
—	—	×	1	1	×	×	×	×
Other than above		Setting prohibited						

Remarks: × = don't care

(3) 000C2H / 010C2H* (HOCO and flash memory operation settings)

7	6	5	4	3	2	1	0
CMODE1	CMODE0	1	0	FRQSEL3	FRQSEL2	FRQSEL1	FRQSEL0
1	1	1	0	1	0	0	0

Bits 7 and 6

CMODE1	CMODE0	Setting of Flash Memory Operating Mode		
			Operating Frequency Range	Operating Voltage Range
0	0	LV (low voltage main) mode	1 MHz to 4 MHz	1.6 V to 5.5 V
1	0	LS (low speed main) mode	1 MHz to 8 MHz	1.8 V to 5.5 V
1	1	HS (high speed main) mode	1 MHz to 16 MHz	2.4 V to 5.5 V
			1 MHz to 32 MHz	2.7 V to 5.5 V
Other than above		Setting prohibited		

Bits 3 to 0

FRQSEL3	FRQSEL2	FRQSEL1	FRQSEL0	HOCO Frequency
1	0	0	0	32 MHz
0	0	0	0	24 MHz
1	0	0	1	16 MHz
0	0	0	1	12 MHz
1	0	1	0	8 MHz
1	0	1	1	4 MHz
1	1	0	1	1 MHz
Other than above				Setting prohibited

Note: 010C2H must also set to be the same value as 000C2H because the contents of 000C2H and 010C2H are swapped at boot swap time.

(4) 000C3H / 010C3H* (On-chip debugging option bytes)

7	6	5	4	3	2	1	0
OCDENSE T	0	0	0	0	1	0	OCDERSD
1	0	0	0	0	1	0	1

Bits 7 and 0

OCDENSET	OCDERSD	Control of On-chip Debugging Operation
0	0	Disables on-chip debugging.
0	1	Setting prohibited
1	0	Enables operation and erases flash memory data when authentication of security ID fails.
1	1	Enables operation but does not erase flash memory data when authentication of security ID fails.

Note: 010C3H must also set to be the same value as 000C3H because the contents of 000C3H and 010C3H are swapped at boot swap time.

4.5.1 Initialization Function

Figure 4.2 shows the flowchart for the initialization function.

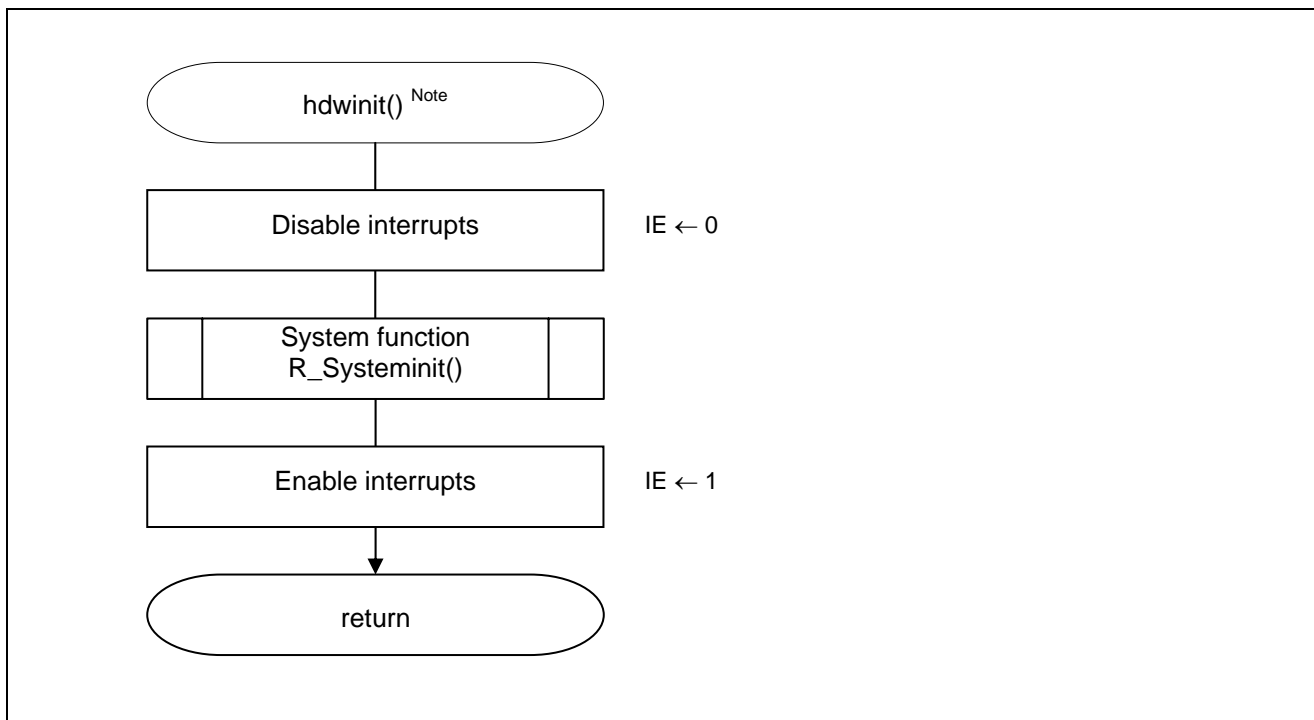


Figure 4.2 Initialization Function

Note: The `__low_level_init` function initializes the system in IAR Workbench IDE-Oriented sample code.

4.5.2 System function

Figure 4.3 shows the flowchart for the system function.

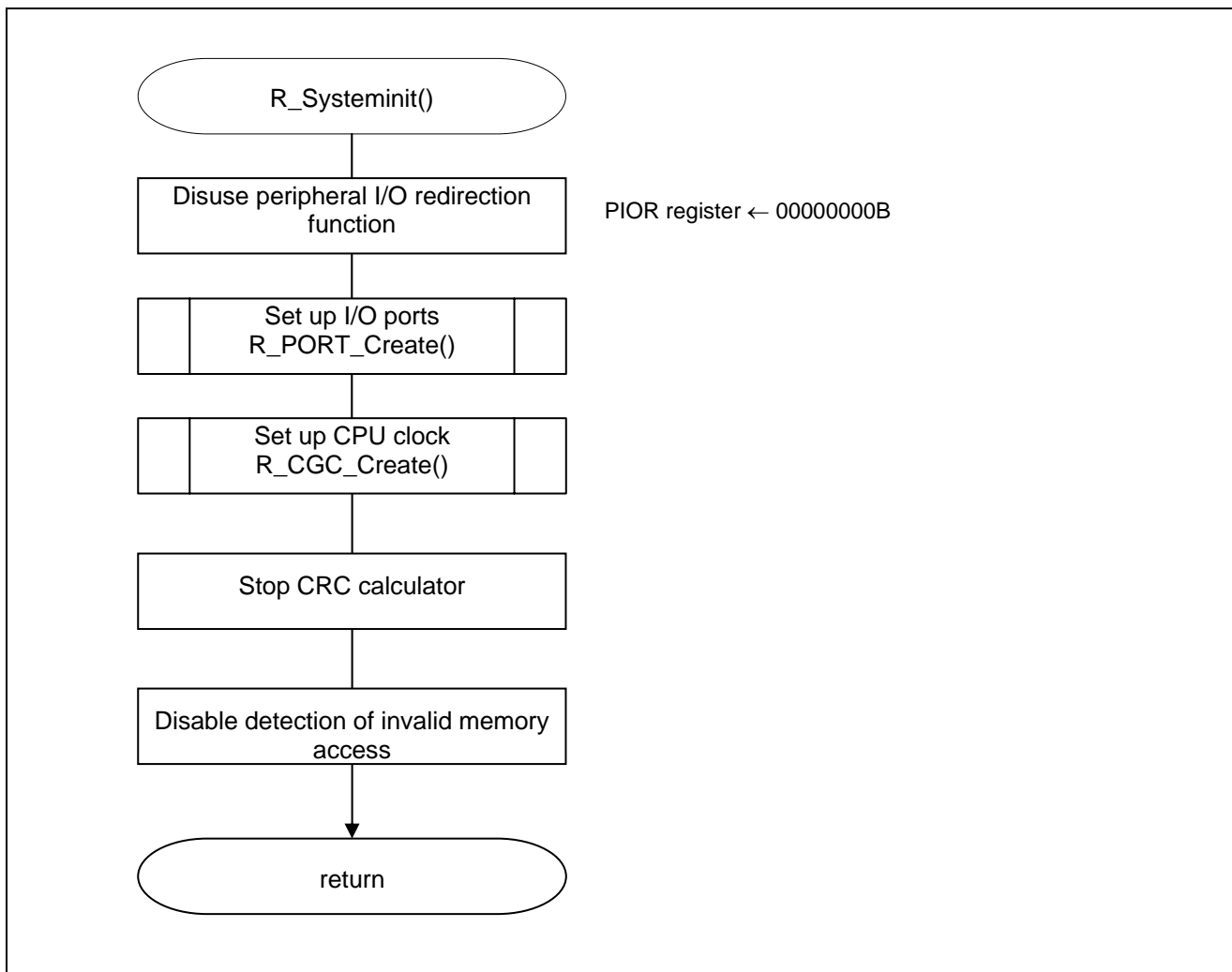


Figure 4.3 System Function

4.5.3 Setting up the I/O Ports

Figure 4.4 shows the flowchart for setting up the I/O ports.

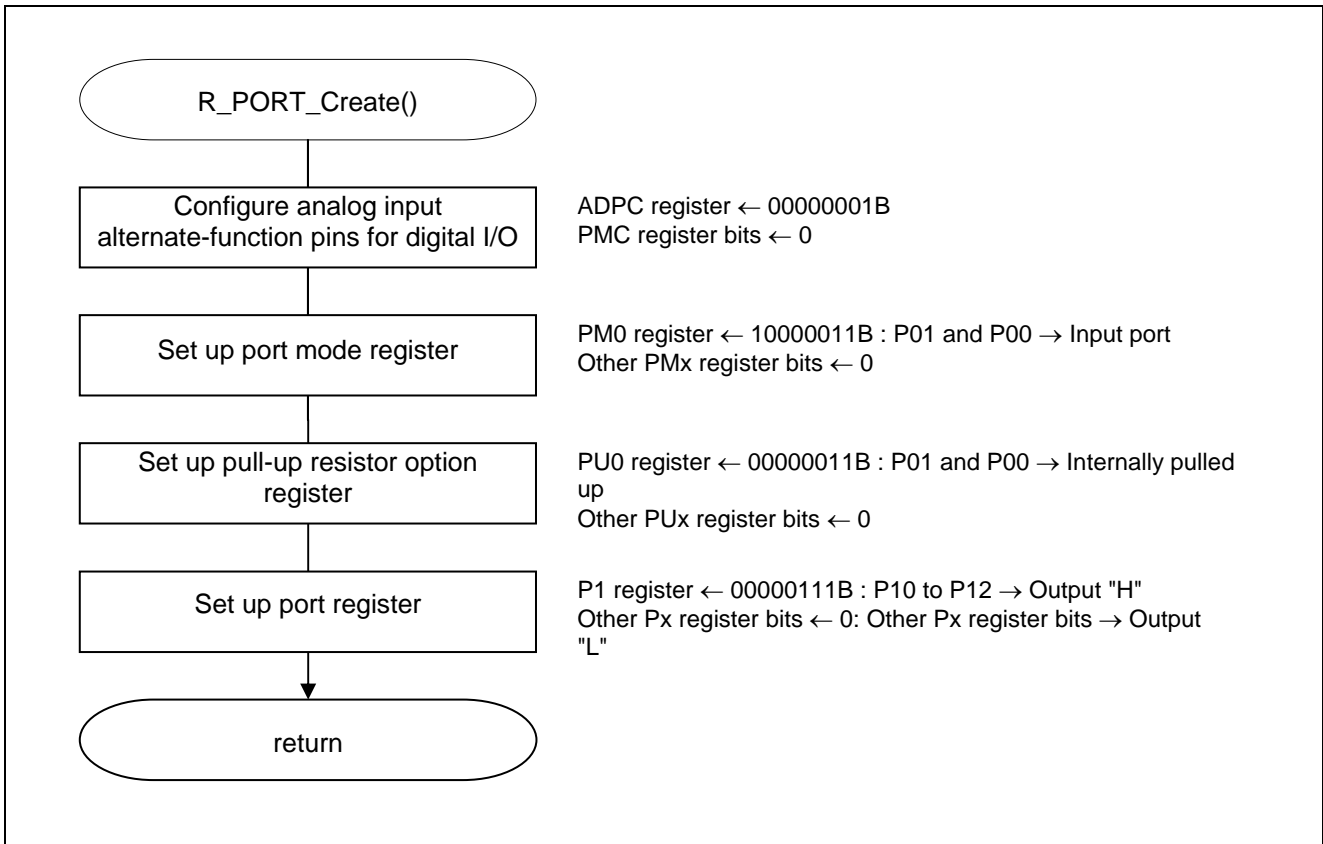


Figure 4.4 I/O Port Setup

Outline of I/O port setup

The RL78/G13 is equipped with digital I/O ports so that it can provide a variety of controls.

The I/O ports serve multiple pin functions in addition to serving as digital I/O ports.

The I/O ports are controlled by the registers listed below. They must be set up during the system initialization routine that is executed when power is first supplied or after the release of the reset state.

Registers that are used to manipulate ports:

- Port mode register (PMxx)
- Port register (Pxx)
- Pull-up resistor option register (PUxx)
- Port input mode register (PIMx)
- Port output mode register (POMx)
- Port mode control register (PMCxx)*
- A/D port configuration register (ADPC)*
- Peripheral I/O redirection register (PIOR)
- Global digital input disable register (GDIDIS)

Note: A register used to place port pins in digital I/O or analog input mode. Since the port pins are configured for analog input when a reset signal occurs, the pins that are to be used for digital I/O must always be set up with this register after the release of the reset state. For the sample program described in this application note, all port pins are configured for digital I/O.

- Notes**
1. Refer to RL78/G13 User's Manual: Hardware for the procedure to set up registers to configure ports as alternate-function pins for peripheral functions.
 2. Provide proper treatment for unused pins so that their electrical specifications are observed. Connect each of any unused input-only ports to V_{DD} or V_{SS} via a resistor.
 3. Connect any pins whose name begins with EV_{SS} to V_{SS} and any pins whose name begins with EV_{DD} to V_{DD} , respectively.

Given below is an example of manipulating ports that are used in this sample code.

Setting up ports for LEDs

- Port mode register 1 (PM1)
P10 : LED1
P11 : LED2
P12: LED3

Symbol: PM1

7	6	5	4	3	2	1	0
PM17	PM16	PM15	PM14	PM13	PM12	PM11	PM10
0	0	0	0	0	0	0	0

PM1n	PM1n pin I/O mode selection (n = 0 to 2).
0	Output mode (output buffer on)
1	Input mode (output buffer off)

- Notes
1. This sample code configures any unused ports for output to minimize the adverse influence of through current.
 2. For details on the procedure for setting up the registers, refer to RL78/G13 User's Manual: Hardware.

Setting up ports for switches

- Port mode register 0 (PM0)
- Pull-up resistor option register 0 (PU0)
P00: SW1 P01: SW2
- Port mode control register 0 (PMC0)
Digital input

Symbol: PM0

7	6	5	4	3	2	1	0
PM07	PM06	PM05	PM04	PM03	PM02	PM01	PM00
1	0	0	0	0	0	1	1

PM0n	PM0n pin I/O mode selection (n = 0 to 1).
0	Output mode (output buffer on)
1	Input mode (output buffer off)

Symbol: PU0

7	6	5	4	3	2	1	0
0	PU06	PU05	PU04	PU03	PU02	PU01	PU00
0	0	0	0	0	0	1	1

PU0n	Selection of on-chip pull-up resistor for P0n pin.
0	On-chip pull-up resistor not connected.
1	On-chip pull-up resistor connected.

Symbol: PMC0

7	6	5	4	3	2	1	0
1	1	1	1	PMC03	PMC02	PMC01	PMC00
1	1	1	1	0*	0*	1*	1*

PMC0n	Selects analog/digital input for P0n pin.
0	Digital input
1	Analog input

Note: The above settings are for 52-, 64-, 80-, 100-, and 128-pin products. PMC03 to PMC00 = 1100B is used for 20-, 24-, 25-, 30-, and 32-pin products and PMC03 to PMC00 = 1111B for 36-, 40-, 44-, and 48-pin products.

- Notes
1. This sample code configures any unused ports for output to minimize the adverse influence of through current.
 2. For details on the procedure for setting up the registers, refer to RL78/G13 User's Manual: Hardware.

4.5.4 CPU Clock Setup

Figure 4.5 shows the flowchart for setting up the CPU clock.

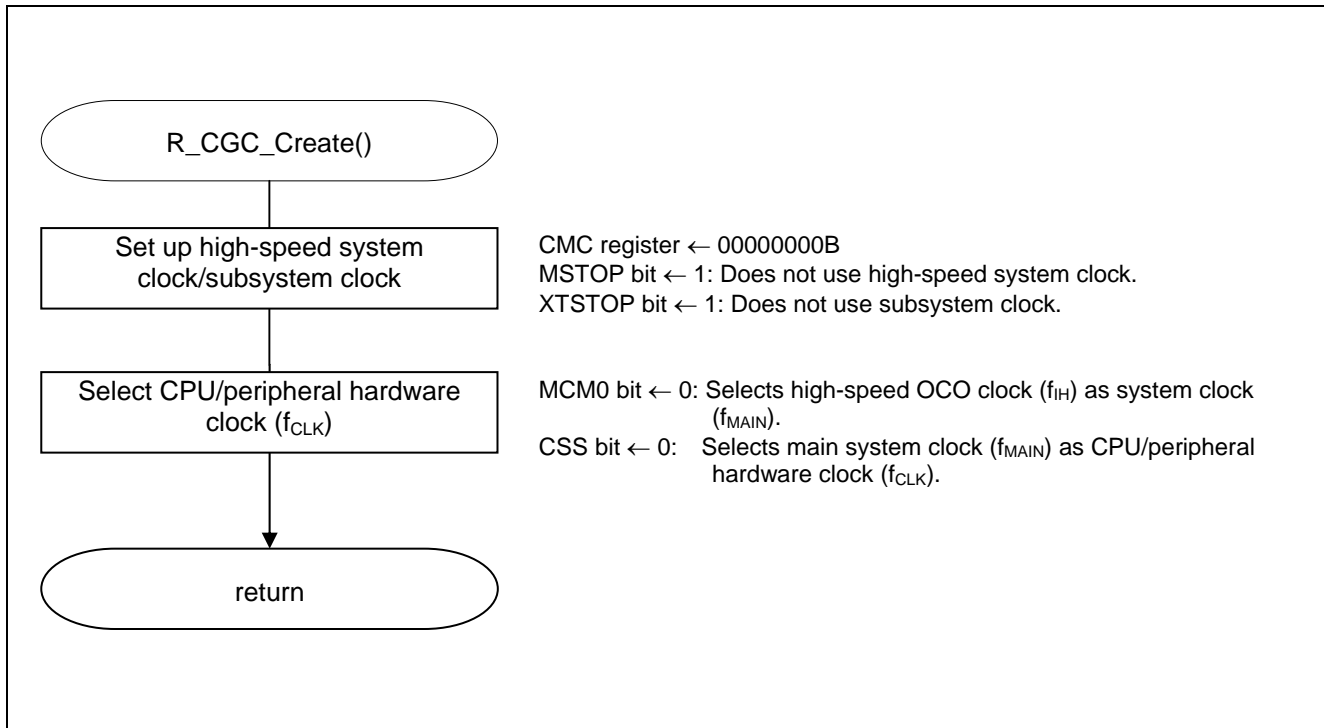


Figure 4.5 CPU Clock Setup

Outline of CPU clock setup

The RL78/G13 allows the user to select the system clock source from the high-speed on-chip oscillator (HOCO), main system clock oscillator/external clock input, and subsystem clock oscillator/external clock input^{Note}.

The system clock is controlled by the registers listed below.

The CPU clock must be initialized during the system initialization routine that is executed when power is first supplied or after the release of the reset state.

Registers that are used to initialize the CPU clock:

- Clock operation mode control register (CMC)
- Clock operation status control register (CSC)
- System clock control register (CKC)
- Peripheral enable register 0 (PER0)
- Subsystem clock supply mode control register (OSMC)

Note: Selectable only for 40-, 44-, 48-, 52-, 64-, 80-, 100-, and 128-pin products.

Given below is an example of setting up the CPU clock for this sample code.

Setting up the clock operating mode

- Clock operation mode control register (CMC)
 - High-speed system clock pin's operating mode: Input port mode
 - Subsystem clock pin's operating mode: Input port mode
 - XT1 oscillator oscillation mode: Low power consumption oscillation
 - X1 clock oscillation frequency control: $1\text{ MHz} \leq f_{MX} \leq 10\text{ MHz}$

Symbol: CMC

7	6	5	4	3	2	1	0
EXCLK	OSCSEL	EXCLKS	OSCSELS	0	AMPHS1	AMPHS0	AMPH
0	0	0	0	0	0	0	0

Bit 0

AMPH	Control of X1 clock oscillation frequency
0	$1\text{ MHz} \leq f_x \leq 10\text{ MHz}$
1	$10\text{ MHz} < f_x \leq 20\text{ MHz}$

Bits 2 and 1

AMPHS1	AMPHS0	Selection of oscillation mode for XT1 oscillator
0	0	Low power consumption oscillation (default)
0	1	Normal oscillation
1	0	Ultra-low power consumption oscillation
1	1	Setting prohibited

Bits 5 and 4

EXCLKS	OSCSELS	Subsystem Clock Pin Operating Mode	XT1/P123 Pin	XT2/EXCLKS/P124 Pin
0	0	Input port mode	Input port	
0	1	XT1 oscillation mode	Connected to crystal resonator	
1	0	Input port mode	Input port	
1	1	External clock input mode	Input port	External clock input

Bits 7 and 6

EXCLK	OSCSEL	High-speed System Clock Pin Operating Mode	X1/P121 Pin	X2/EXCLK/P122 Pin
0	0	Input port mode	Input port	
0	1	X1 oscillation mode	Connected to crystal/ceramic oscillator	
1	0	Input port mode	Input port	
1	1	External clock input mode	Input port	External clock input

Note: For details on the procedure for setting up the registers, refer to RL78/G13 User's Manual: Hardware.

Controlling clock operations

- Clock operation status control register (CSC)
 - High-speed system clock operation control: Stop X1 oscillator.
 - Subsystem clock operation control: Stop XT1 oscillator.
 - HOCO clock operation control: HOCO operation

Symbol: CSC

7	6	5	4	3	2	1	0
MSTOP	XTSTOP	0	0	0	0	0	HIOSTOP
1	1	0	0	0	0	0	0

Bit 0

HIOSTOP	Control of HOCO clock operation
0	Runs HOCO.
1	Stops HOCO.

Bit 6

XTSTOP	Control of Subsystem Clock Operation		
	XT1 Oscillation Mode	External Clock Input Mode	Input Port Mode
0	Runs XT1 oscillator.	Enables external clock from the EXCLKS pin.	Input port
1	Stops XT1 oscillator.	Disables external clock from the EXCLK pin.	

Bit 7

MSTOP	Control of High-speed System Clock Operation		
	X1 Oscillation Mode	External Clock Input Mode	Input Port Mode
0	Runs X1 oscillator.	Enables external clock from the EXCLKS pin.	Input port
1	Stops X1 oscillator.	Disables external clock from the EXCLK pin.	

Note: For details on the procedure for setting up the registers, refer to RL78/G13 User's Manual: Hardware.

Setting up the CPU/peripheral hardware clock (f_{CLK})

- System clock control register (CKC)
 - f_{CLK} status: Main system clock
 - f_{CLK} selection: HOCO clock (f_{IH})

Symbol: CKC

7	6	5	4	3	2	1	0
CLS	CSS	MCS	MCM0	0	0	0	0
0	0	0	0	0	0	0	0

Bit 4

MCM0	Control of main system clock (f_{MAIN}) operation
0	Selects HOCO clock (f_{IH}) as the main system clock (f_{MAIN}).
1	Selects high-speed system clock (f_{MX}) as the main system clock (f_{MAIN}).

Bit 5

MCS	Main system clock (f_{MAIN}) state
0	HOCO clock (f_{IH})
1	High-speed system clock (f_{MX})

Bit 6

CSS	Selection of CPU/peripheral hardware clock (f_{CLK})
0	Main system clock (f_{MAIN})
1	Subsystem clock (f_{SUB})

Bit 7

CLS	CPU/peripheral hardware clock (f_{CLK}) state
0	Main system clock (f_{MAIN})
1	Subsystem clock (f_{SUB})

Note: For details on the procedure for setting up the registers, refer to RL78/G13 User's Manual: Hardware.

Setting use/disuse of peripheral hardware macros

• Peripheral enable register 0 (PER0)

Hardware input clock control: Stop input clocks.

Symbol: PER0

7	6	5	4	3	2	1	0
RTCEN	IICA1EN *1	ADCEN	IICA0EN *2	SAU1EN *3	SAU0EN	TAU1EN *1	TAU0EN
0	0	0	0	0	0	0	0

Bits 1 and 0

TAUmEN	Control of timer array unit m input clock supply
0	Stops supply of input clock. • SFR for timer array unit m cannot be written. • Timer array unit m is in the reset state.
1	Supplies input clock. SFR for timer array unit m can be read and written.

Bits 3 and 2

SAUmEN	Control of serial array unit m input clock supply
0	Stops supply of input clock. • SFR for serial array unit m cannot be written. • Serial array unit m is in the reset state.
1	Supplies input clock. SFR for serial array unit m can be read and written.

Bits 6 and 4

IICAmEN	Control of serial interface IICAm input clock supply
0	Stops supply of input clock. • SFR for IICAm cannot be written. • IICAm is in the reset state.
1	Supplies input clock. SFR for IICAm can be read and written.

Bit 5

ADCEN	Control of A/D converter input clock supply supply
0	Stops supply of input clock. • SFR for A/D converter cannot be written. • A/D converter is in the reset state.
1	Supplies input clock. SFR for A/D converter can be read and written.

Bit 7

RTCEN	Control of real-time clock (RTC) and 12-bit interval timer input clock supply
0	Stops supply of input clock. • SFR used by the real-time clock (RTC) and 12-bit interval timer cannot be written. • The real-time clock (RTC) and 12-bit interval timer are in the reset status.
1	Supplies input clock. SFR for RTC can be read and written.

- Notes:
1. For 80-, 100-, and 128-pin products only.
 2. Not installed in 20-pin products.
 3. Not installed in 20-, 24-, and 25-pin products.

Note: Power saving and noise reduction are achieved by stopping the supply of clocks to any unused hardware macros.

Controlling subsystem clock supply mode

- Subsystem clock supply mode control register (OSMC)
 - Setting in STOP mode or HALT mode while subsystem clock is selected as CPU clock
 - : Enables supply of subsystem clock to peripheral functions.
 - Selection of operation clock for realtime clock and interval timer
 - : Subsystem clock

Symbol: OSMC

7	6	5	4	3	2	1	0
RTCLPC	0	0	WUTMMCK0	0	0	0	0
0	0	0	0	0	0	0	0

Bit 4

WUTMMCK0	Selection of operation clock for realtime clock and interval timer
0	Subsystem clock (f_{SUB})
1	Internal low-speed oscillator (LOCO) clock

Bit 7

RTCLPC	Setting in STOP Mode or HALT Mode while subsystem clock is selected as CPU clock
0	Enables supply of subsystem clock to peripheral functions
1	Stops supply of subsystem clock to peripheral functions except the realtime clock and interval timer.

Note: The OSMC register is designed to reduce the operating current, for low power operation, in STOP mode and in HALT mode in which the CPU is running on the subsystem clock. For details on its configuration procedure, refer to RL78/G13 User's Manual: Hardware.

4.5.5 Main Processing

Figure 4.6 shows the flowchart for the main processing routine.

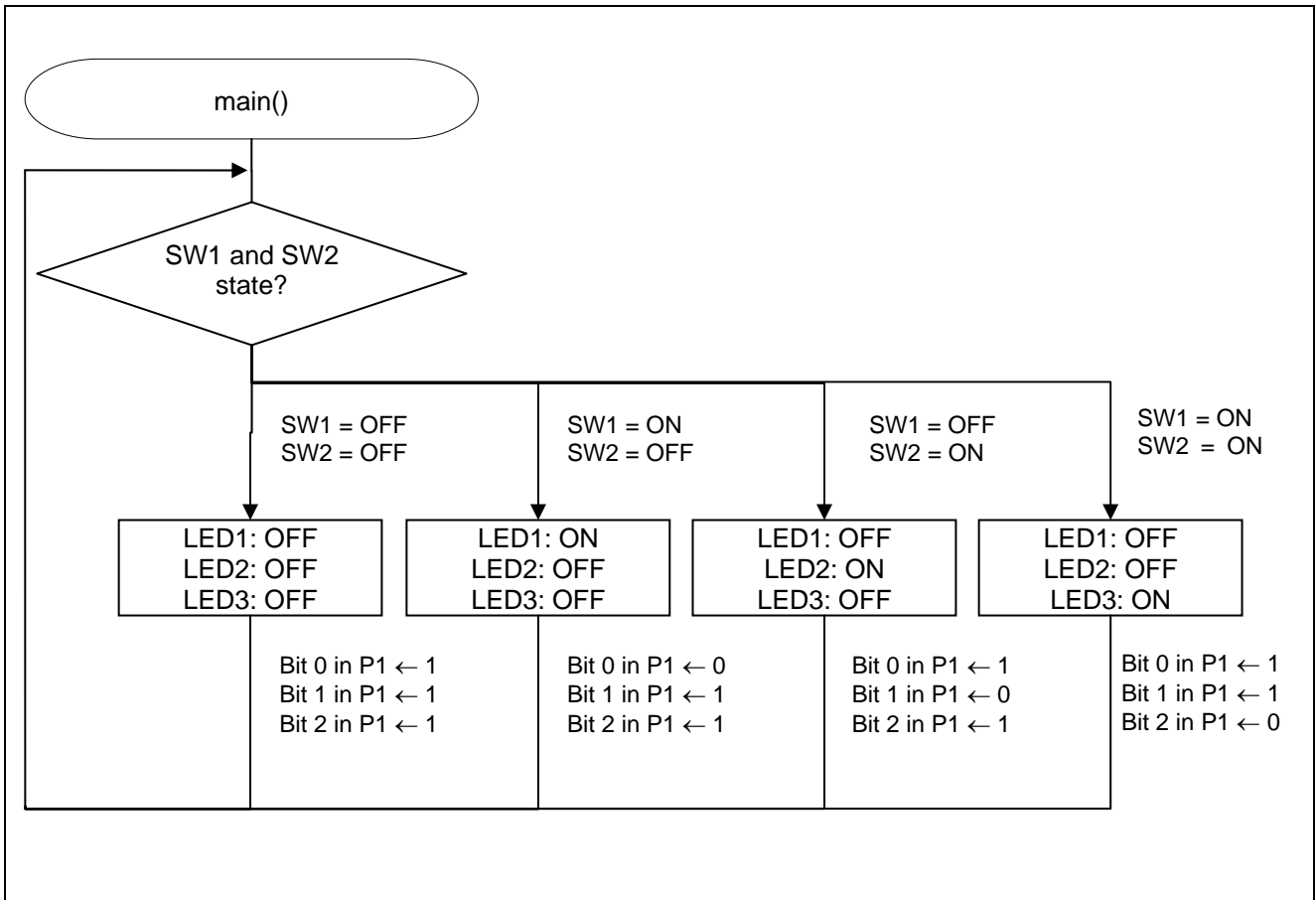


Figure 4.6 Main Processing

5. Sample Code

The sample code is available on the Renesas Electronics Website.

6. Documents for Reference

RL78/G13 User's Manual: Hardware Rev.0.07 (R01UH0146EJ0007)

RL78 Family User's Manual: Software Rev.1.00 (R01US0015EJ0100)

(The latest versions of the documents are available on the Renesas Electronics Website.)

Technical Updates/Technical Brochures

(The latest versions of the documents are available on the Renesas Electronics Website.)

Website and Support

Renesas Electronics Website

- <http://www.renesas.com/index.jsp>

Inquiries

- <http://www.renesas.com/contact/>

Revision Record	RL78/G13 Initialization
------------------------	--------------------------------

Rev.	Date	Description	
		Page	Summary
1.00	Sep. 30, 2011	—	First edition issued
2.00	Sep. 2, 2013	4	Table 2.1: Added e2studio and IAR information
		10	Added note
		17	Added note
		18	Figure 4.3: Fixed typo in function name
		19	Figure 4.4: Fixed typo in function name
2.01	May 16, 2014	4,5,13,14	Changed terms: VLVIH, VLVIL into VLVDH, VLVDL, or VLVD
		10,17	Deleted a needless sentence.
		12	Changed “75%” into “75%+1/2fIL”
		14	Changed the value of LVIMDS1 bit from 0/1 into x
		21	Changed “n=1-3” into “n=0-2”
		22	Changed “n=1-6” into “n=0-1”
		23	Changed an index word from Note1 into Note
		22	Changed the values of MCM0 bit and CSS bit
		23	Changed f _{MX} into f _X
		24	Changed “crystal oscillator” into “crystal resonator”
		24	Changed the description of “Selection of oscillation mode for XT1 oscillator”
		27	Added description
		28	Changed the register name of OSMC

All trademarks and registered trademarks are the property of their respective owners.

General Precautions in the Handling of MPU/MCU Products

The following usage notes are applicable to all MPU/MCU products from Renesas. For detailed usage notes on the products covered by this manual, refer to the relevant sections of the document as well as any technical updates that have been issued for the products.

1. Handling of Unused Pins

- Handle unused pins in accord with the directions given under Handling of Unused Pins in the manual.
 - The input pins of CMOS products are generally in the high-impedance state. In operation with unused pin in the open-circuit state, extra electromagnetic noise is induced in the vicinity of LSI, an associated shoot-through current flows internally, and malfunctions occur due to the false recognition of the pin state as an input signal become possible. Unused pins should be handled as described under Handling of Unused Pins in the manual.

2. Processing at Power-on

- The state of the product is undefined at the moment when power is supplied.
 - The states of internal circuits in the LSI are indeterminate and the states of register settings and pins are undefined at the moment when power is supplied.
In a finished product where the reset signal is applied to the external reset pin, the states of pins are not guaranteed from the moment when power is supplied until the reset process is completed. In a similar way, the states of pins in a product that is reset by an on-chip power-on reset function are not guaranteed from the moment when power is supplied until the power reaches the level at which resetting has been specified.

3. Prohibition of Access to Reserved Addresses

- Access to reserved addresses is prohibited.
 - The reserved addresses are provided for the possible future expansion of functions. Do not access these addresses; the correct operation of LSI is not guaranteed if they are accessed.

4. Clock Signals

- After applying a reset, only release the reset line after the operating clock signal has become stable.
- When switching the clock signal during program execution, wait until the target clock signal has stabilized.
 - When the clock signal is generated with an external resonator (or from an external oscillator) during a reset, ensure that the reset line is only released after full stabilization of the clock signal. Moreover, when switching to a clock signal produced with an external resonator (or by an external oscillator) while program execution is in progress, wait until the target clock signal is stable.

5. Differences between Products

Before changing from one product to another, i.e. to one with a different part number, confirm that the change will not lead to problems.

- The characteristics of MPU/MCU in the same group but having different a different part number may differ in terms of the internal memory capacity and layout pattern, and other factors, which can affect the ranges of electrical characteristics, such as characteristic values, operating margins, immunity to noise, and amount of radiated noise. When changing to products with a different part number, implement a system-evaluation test for the given product.

Notice

1. Descriptions of circuits, software and other related information in this document are provided only to illustrate the operation of semiconductor products and application examples. You are fully responsible for the incorporation of these circuits, software, and information in the design of your equipment. Renesas Electronics assumes no responsibility for any losses incurred by you or third parties arising from the use of these circuits, software, or information.
2. Renesas Electronics has used reasonable care in preparing the information included in this document, but Renesas Electronics does not warrant that such information is error free. Renesas Electronics assumes no liability whatsoever for any damages incurred by you resulting from errors in or omissions from the information included herein.
3. Renesas Electronics does not assume any liability for infringement of patents, copyrights, or other intellectual property rights of third parties by or arising from the use of Renesas Electronics products or technical information described in this document. No license, express, implied or otherwise, is granted hereby under any patents, copyrights or other intellectual property rights of Renesas Electronics or others.
4. You should not alter, modify, copy, or otherwise misappropriate any Renesas Electronics product, whether in whole or in part. Renesas Electronics assumes no responsibility for any losses incurred by you or third parties arising from such alteration, modification, copy or otherwise misappropriation of Renesas Electronics product.
5. Renesas Electronics products are classified according to the following two quality grades: "Standard" and "High Quality". The recommended applications for each Renesas Electronics product depends on the product's quality grade, as indicated below.
"Standard": Computers; office equipment; communications equipment; test and measurement equipment; audio and visual equipment; home electronic appliances; machine tools; personal electronic equipment; and industrial robots etc.
"High Quality": Transportation equipment (automobiles, trains, ships, etc.); traffic control systems; anti-disaster systems; anti-crime systems; and safety equipment etc.
Renesas Electronics products are neither intended nor authorized for use in products or systems that may pose a direct threat to human life or bodily injury (artificial life support devices or systems, surgical implantations etc.), or may cause serious property damages (nuclear reactor control systems, military equipment etc.). You must check the quality grade of each Renesas Electronics product before using it in a particular application. You may not use any Renesas Electronics product for any application for which it is not intended. Renesas Electronics shall not be in any way liable for any damages or losses incurred by you or third parties arising from the use of any Renesas Electronics product for which the product is not intended by Renesas Electronics.
6. You should use the Renesas Electronics products described in this document within the range specified by Renesas Electronics, especially with respect to the maximum rating, operating supply voltage range, movement power voltage range, heat radiation characteristics, installation and other product characteristics. Renesas Electronics shall have no liability for malfunctions or damages arising out of the use of Renesas Electronics products beyond such specified ranges.
7. Although Renesas Electronics endeavors to improve the quality and reliability of its products, semiconductor products have specific characteristics such as the occurrence of failure at a certain rate and malfunctions under certain use conditions. Further, Renesas Electronics products are not subject to radiation resistance design. Please be sure to implement safety measures to guard them against the possibility of physical injury, and injury or damage caused by fire in the event of the failure of a Renesas Electronics product, such as safety design for hardware and software including but not limited to redundancy, fire control and malfunction prevention, appropriate treatment for aging degradation or any other appropriate measures. Because the evaluation of microcomputer software alone is very difficult, please evaluate the safety of the final products or systems manufactured by you.
8. Please contact a Renesas Electronics sales office for details as to environmental matters such as the environmental compatibility of each Renesas Electronics product. Please use Renesas Electronics products in compliance with all applicable laws and regulations that regulate the inclusion or use of controlled substances, including without limitation, the EU RoHS Directive. Renesas Electronics assumes no liability for damages or losses occurring as a result of your noncompliance with applicable laws and regulations.
9. Renesas Electronics products and technology may not be used for or incorporated into any products or systems whose manufacture, use, or sale is prohibited under any applicable domestic or foreign laws or regulations. You should not use Renesas Electronics products or technology described in this document for any purpose relating to military applications or use by the military, including but not limited to the development of weapons of mass destruction. When exporting the Renesas Electronics products or technology described in this document, you should comply with the applicable export control laws and regulations and follow the procedures required by such laws and regulations.
10. It is the responsibility of the buyer or distributor of Renesas Electronics products, who distributes, disposes of, or otherwise places the product with a third party, to notify such third party in advance of the contents and conditions set forth in this document, Renesas Electronics assumes no responsibility for any losses incurred by you or third parties as a result of unauthorized use of Renesas Electronics products.
11. This document may not be reproduced or duplicated in any form, in whole or in part, without prior written consent of Renesas Electronics.
12. Please contact a Renesas Electronics sales office if you have any questions regarding the information contained in this document or Renesas Electronics products, or if you have any other inquiries.

(Note 1) "Renesas Electronics" as used in this document means Renesas Electronics Corporation and also includes its majority-owned subsidiaries.

(Note 2) "Renesas Electronics product(s)" means any product developed or manufactured by or for Renesas Electronics.



SALES OFFICES

Renesas Electronics Corporation

<http://www.renesas.com>

Refer to "<http://www.renesas.com/>" for the latest and detailed information.

Renesas Electronics America Inc.
2880 Scott Boulevard Santa Clara, CA 95050-2554, U.S.A.
Tel: +1-408-588-6000, Fax: +1-408-588-6130

Renesas Electronics Canada Limited
1101 Nicholson Road, Newmarket, Ontario L3Y 9C3, Canada
Tel: +1-905-898-5441, Fax: +1-905-898-3220

Renesas Electronics Europe Limited
Dukes Meadow, Millboard Road, Bourne End, Buckinghamshire, SL8 5FH, U.K
Tel: +44-1628-651-700, Fax: +44-1628-651-804

Renesas Electronics Europe GmbH
Arcadiastrasse 10, 40472 Düsseldorf, Germany
Tel: +49-211-65030, Fax: +49-211-6503-1327

Renesas Electronics (China) Co., Ltd.
7th Floor, Quantum Plaza, No.27 ZhiChunLu Haidian District, Beijing 100083, P.R.China
Tel: +86-10-8235-1155, Fax: +86-10-8235-7679

Renesas Electronics (Shanghai) Co., Ltd.
Unit 301, Tower A, Central Towers, 555 LanGao Rd., Putuo District, Shanghai, China
Tel: +86-21-2226-0888, Fax: +86-21-2226-0999

Renesas Electronics Hong Kong Limited
Unit 1601-1613, 16/F., Tower 2, Grand Century Place, 193 Prince Edward Road West, Mongkok, Kowloon, Hong Kong
Tel: +852-2886-9318, Fax: +852-2886-9022/9044

Renesas Electronics Taiwan Co., Ltd.
13F, No. 363, Fu Shing North Road, Taipei, Taiwan
Tel: +886-2-8175-9600, Fax: +886-2-8175-9670

Renesas Electronics Singapore Pte. Ltd.
80 Bendemeer Road, Unit #06-02 Hyflux Innovation Centre Singapore 339949
Tel: +65-6213-0200, Fax: +65-6213-0300

Renesas Electronics Malaysia Sdn Bhd.
Unit 906, Block B, Menara Amcorp, Amcorp Trade Centre, No. 18, Jln Persiaran Barat, 46050 Petaling Jaya, Selangor Darul Ehsan, Malaysia
Tel: +60-3-7955-9390, Fax: +60-3-7955-9510

Renesas Electronics Korea Co., Ltd.
12F., 234 Teheran-ro, Gangnam-Gu, Seoul, 135-080, Korea
Tel: +82-2-558-3737, Fax: +82-2-558-5141