
RL78/G11

R01AN3650EJ0120

Rev. 1.20

Jan. 31, 2019

IH Control using Timer KB0 CC-RL

Introduction

This application note describes IH control using the 16-bit timer KB0 of RL78/G11.

Target Device

RL78/G11

When applying this application note to other Renesas MCUs, careful evaluation is recommended after making modifications to comply with the alternate MCU.

Contents

| | |
|---|----|
| 1. Specifications | 3 |
| 1.1 Timer KB Basic Operation..... | 4 |
| 1.2 Forced output stop of Timer KB0 | 5 |
| 2. Conditions for Confirming Operation..... | 6 |
| 3. Related Application Notes..... | 6 |
| 4. Hardware Descriptions | 7 |
| 4.1 Hardware Configuration Example | 7 |
| 4.2 List of Pins Used | 8 |
| 5. Software Descriptions | 9 |
| 5.1 Operation Summary | 9 |
| 5.2 List of Option Byte Settings..... | 10 |
| 5.3 List of Constants..... | 10 |
| 5.4 List of Variables..... | 10 |
| 5.5 List of Functions | 11 |
| 5.6 Function Specifications | 11 |
| 5.7 Flowcharts | 14 |
| 5.7.1 Initial Setting Function | 14 |
| 5.7.2 System Function..... | 15 |
| 5.7.3 Setting I/O Ports | 16 |
| 5.7.4 Setting CPU Clocks..... | 17 |
| 5.7.5 Setting Timer KB0 | 18 |
| 5.7.6 Setting D/A Converter | 28 |
| 5.7.7 Setting A/D Converter | 31 |
| 5.7.8 Setting Comparator | 39 |
| 5.7.9 Setting Timer Array Unit..... | 42 |
| 5.7.10 Setting Interrupts..... | 49 |
| 5.7.11 Main Function..... | 51 |
| 5.7.12 Initial Setting of main | 52 |
| 5.7.13 Starting Comparator 0 Operation | 52 |
| 5.7.14 Starting Comparator 1 Operation | 53 |
| 5.7.15 Starting D/A Converter Operation | 53 |
| 5.7.16 Starting Interrupt Operation..... | 54 |
| 5.7.17 Starting TAU Operation | 54 |
| 5.7.18 Starting Timer KB0 Operation | 55 |
| 5.7.19 Enabling A/D Converter Operation..... | 55 |
| 5.7.20 Starting A/D Conversion Trigger Wait..... | 56 |
| 5.7.21 Processing TAU Operation End Interrupt | 56 |
| 6. Sample Code..... | 57 |
| 7. Reference Documents | 57 |

1. Specifications

Applying a current to the IH coil generates eddy current in metal pots and pans. By utilizing the Joule heat produced by the eddy current, the IH cooker achieves cooking.

This application note describes an example in which a half-bridge resonant circuit used for thermal control of an IH cooker by using the timer KB function incorporated in the RL78/G11.

Figure 1.1 shows an equivalent circuit of the half-bridge LC resonant circuit.

With this circuit, IGBT_H and IGBT_L are alternately turned on to generate LC resonance, which applies a current to the IH coil. As a PWM cycle becomes closer to the oscillation frequency of the circuit, firepower becomes larger, and as a PWM cycle becomes farther from the oscillation frequency, firepower becomes smaller. Therefore, IGBT_H and IGBT_L are controlled using the PWM output function of the timer KB so that the cycle should change according to the firepower that the user wants.

Here, the firepower can be stabilized by monitoring the output from the current detection circuit of the IH part.

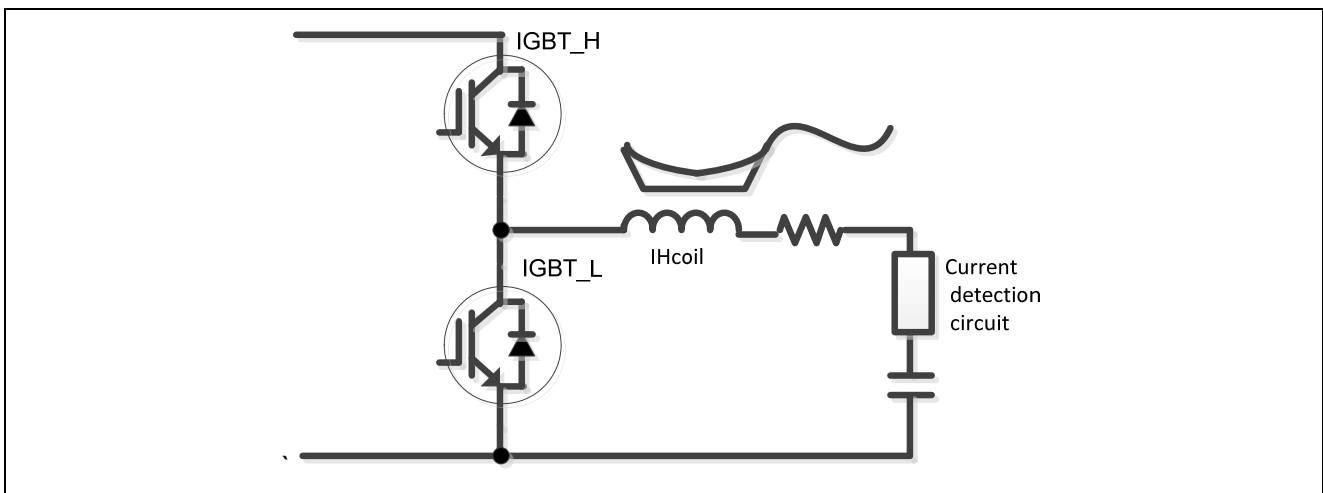


Figure 1.1 Equivalent Circuit of Half-Bridge LC Resonant Circuit

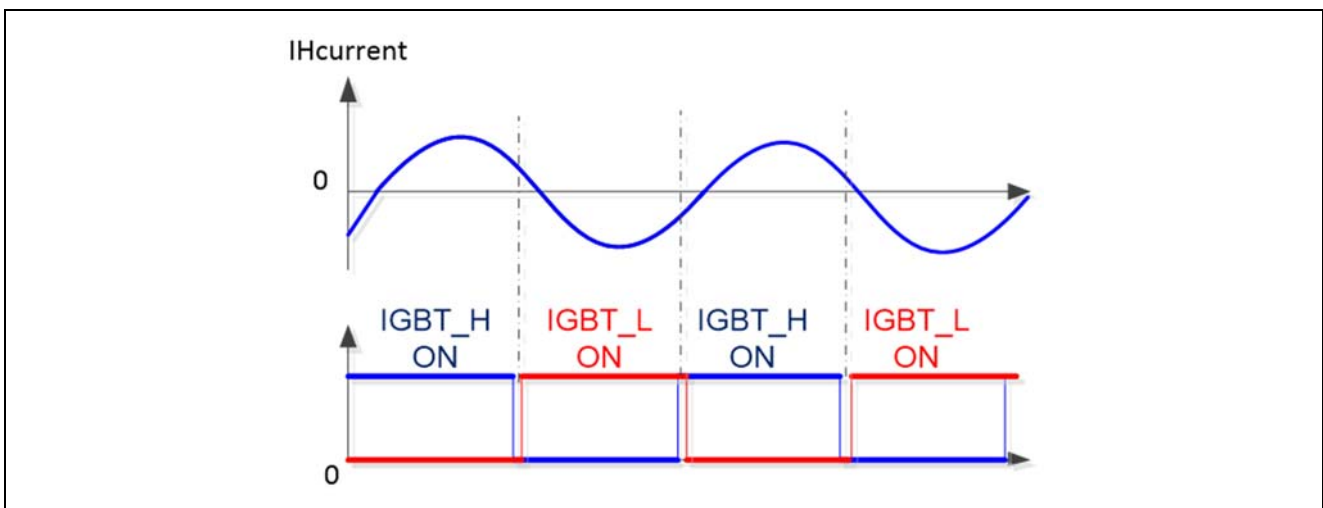


Figure 1.2 IH Inverter Control Timing

Table 1.1 shows the peripheral functions used and their usage.

Table 1.1 Peripheral Functions Used and their Usage

| Peripheral Function | Usage |
|---------------------|--|
| 16-bit timer KB0 | Turns on or off IGBT. |
| Internal comparator | Detects over-voltage or over-current and forcibly cuts off PWM output. |
| Interrupt | Detects zero cross of supply voltage (AC). |
| A/D converter | Measures output voltage from the current detection circuit. Measures IH coil temperature. Measures voltage of IH firepower control signal. |

1.1 Timer KB Basic Operation

The timer KB basic operation is shown in Figure 1.3, Timer KB Basic Operation. The timer KB provides PWM output to alternately turn on and off TKBO0 (IGBTH) and TKBO1 (IGBTL). In this application note, the PWM frequency is 20 kHz to 50 kHz depending on the input level of the A/D converter (ANI16) and the duty cycle is approximately 50%. The dead time, in which neither TKBO0 nor TKBO1 is output, is approximately 1 μs. The duty cycle is updated according to the level of ANI16 measured in an AC voltage cycle.

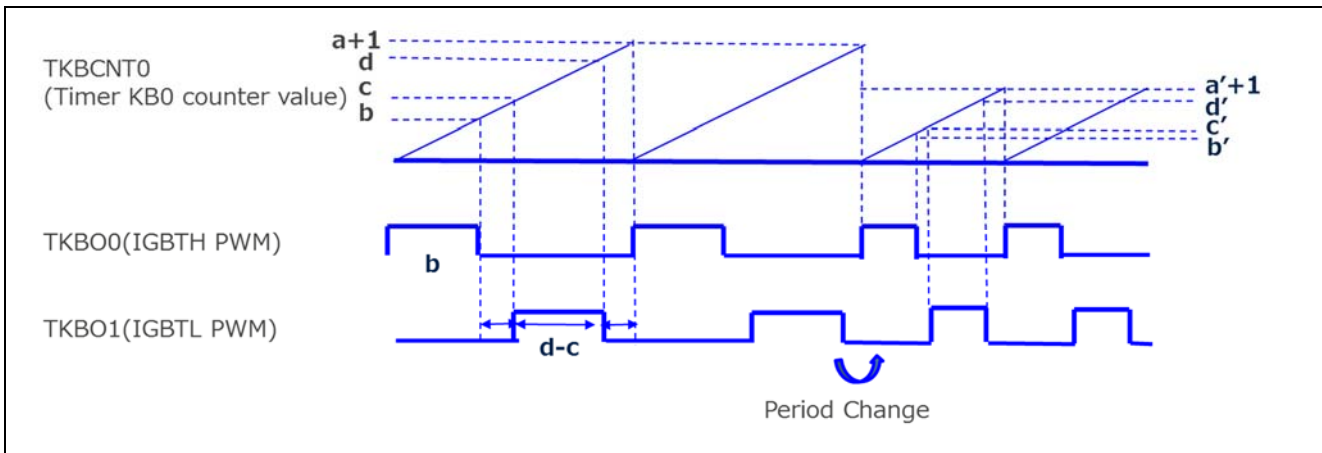


Figure 1.3 Timer KB Basic Operation

Setting example for 20 kHz

Period: $a + 1 = 50 \mu\text{s}$
 Duty period: $b = d - c = 24 \mu\text{s}$
 Dead time: $d - c - b = a + 1 - d = 1 \mu\text{s}$



Setting example for 50 kHz

Period: $a' + 1 = 20 \mu\text{s}$
 Duty period: $b' = d' - c' = 9 \mu\text{s}$
 Dead time: $d' - c' - b = a' + 1 - d = 1 \mu\text{s}$

1.2 Forced output stop of Timer KB0

Forced output stop function 1 of timer KB0 is used. IVCMP0 and IVCMP1 pins are used for measuring over-voltage and over-current of the system. IVCMP0 is compared to the output of the internal D/A channel 0 and IVCMP1 to the internal reference voltage (1.45 V). The timer KB0 output is fixed to the low level at the rising edge of CMP0/CMP1. The forced output stop function can be cancelled by manipulating the software bit TKBPAHTSn. However, cancellation of the forced output stop function is not used in this application note.

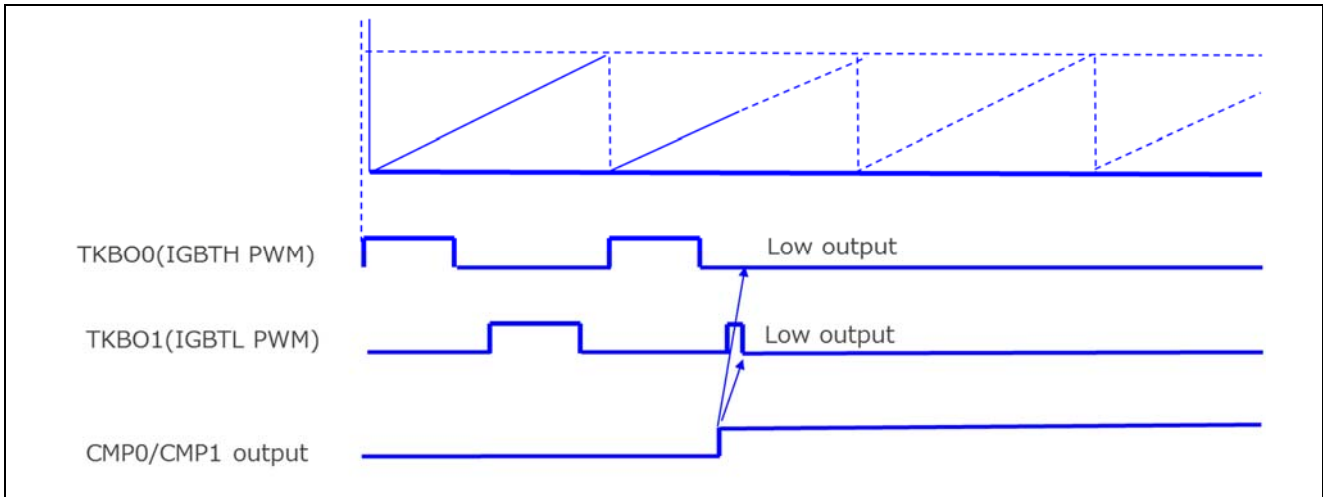


Figure 1.4 Forced Output Stop of Timer KB0

2. Conditions for Confirming Operation

The sample code operations described in this application note are confirmed under the following conditions.

Table 2.1 Conditions for Confirming Operations

| Item | Description |
|--|---|
| Microcontroller used | RL78/G11 (R5F1056A) |
| Operating frequency | <ul style="list-style-type: none"> ● High-speed on-chip oscillator (HOCO) clock: 24 MHz ● CPU/peripheral hardware clock: 24 MHz |
| Operating voltage | 5.0 V (can be operated from 2.9 V to 5.5 V) LVD operation (V_{LVD}): Reset mode 2.65 V (2.65 V to 2.71 V) |
| Integrated development environment (CS+) | CS+ for CC V4.01.00 from Renesas Electronics Corp. |
| C compiler (CS+) | CC-RL V1.03.00 from Renesas Electronics Corp. |

3. Related Application Notes

- RL78/G11 Forced Stop of PWM Output through Comparator and External Interrupt CC-RL(R1AN3477E)

4. Hardware Descriptions

4.1 Hardware Configuration Example

Figure 4.1 shows an example of hardware configuration described in this application note.

To the IH driver IC, TKBO0 and TKBO1 output from TMKB are connected. For detection of the IH part discharge, INTP11 is used, which can be set for restarting TMKB. Besides, over-current and over-voltage are detected for stable control of the IH inverter. For over-current detection, the A/D converter is used to monitor the current flowing through the IH coil. For over-voltage detection, the external interrupt request signal INTP10 is used. In this application note, the A/D converter is used to determine the firepower level (high, middle, or low) of the IH cooker.

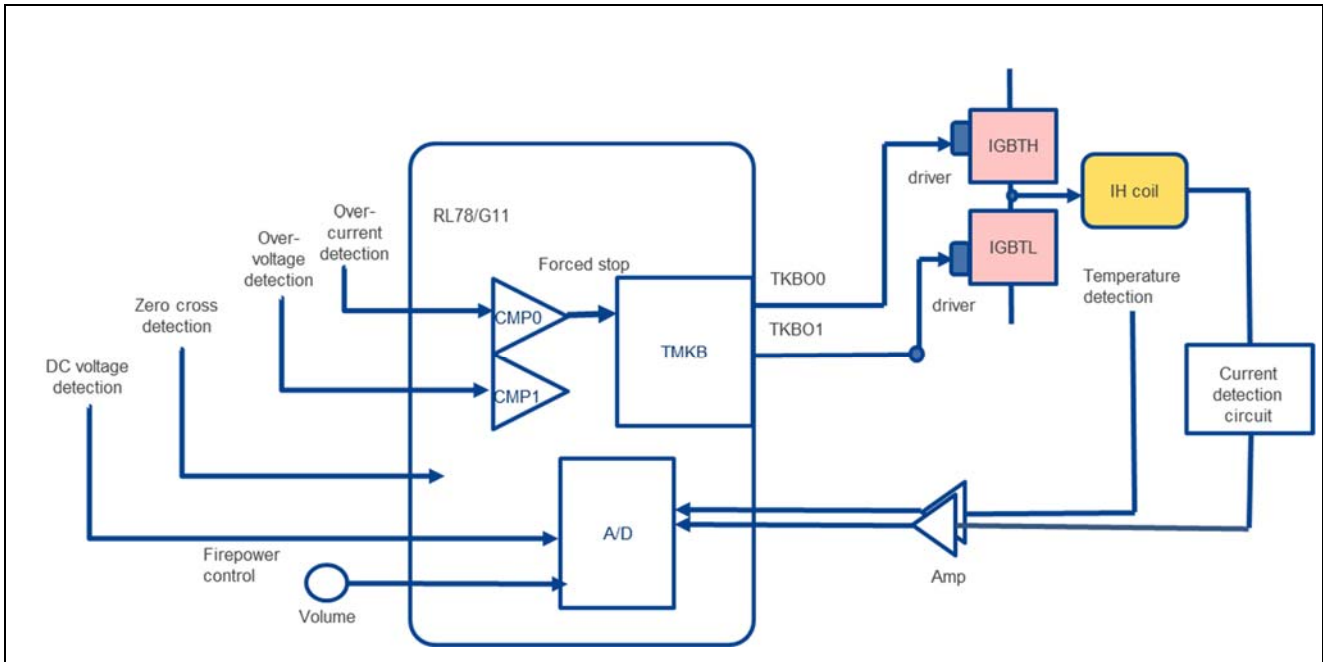


Figure 4.1 Hardware Configuration

Caution 1 The above figure is a simplified circuit image for showing the outline of the connections. The actual circuit should be designed so that the pins are handled appropriately and that the electrical characteristics are satisfied (input-only ports should be each connected to V_{DD} or V_{SS} via a resistor).

4.2 List of Pins Used

Table 4.1 lists the pins used and their functions.

Table 4.1 Pins Used and Their Functions

| Pin Name | I/O | Function |
|--|--------|------------------------------------|
| P30/ANI21/KR1/TI00/TO01/INTP3/SCK11/SCL11/(TxD0)/PCLBUZ0/TKBO1/SDAA0 | Output | IGBTL driver control |
| P31/ANI20/KR0/TI01/TO00/INTP4/TKBO0/(RxD0)/SI11/SDA11/SCLA0 | Output | IGBTH driver control |
| P122/X2/EXCLK/(SI10/RxD1)/(TI02)/INTP1 | Input | AC voltage zero cross detection |
| P56/ANI22/KR2/SCK00/SCL00/SO11/INTP10/(TO03)/(INTFO)/SCLA1 | Input | DC voltage detection |
| P22/ANI2/PGAI/IVCMP0 | Input | Over-current detection |
| P33/ANI18/IVCMP1/(INTP11) | Input | Over-voltage detection |
| P23/ANI3/ANO1/PGAGND | Input | Temperature detection |
| P00/ANI17/PCLBUZ1/TI03/(VCOUT1)/SI10/RxD1/SDA10/(SDAA1) | Input | IH current detection |
| P01/ANI16/INTP5/SO10/TxD1 | Input | Volume input for firepower control |
| P20/ANI0/AVREFP/IVREF1/(SO10/TXD1) | — | A/D_power supply |
| P21/ANI1/AVREFM/IVREF0 | — | A/D_GND |

5. Software Descriptions

5.1 Operation Summary

This application note describes the software for controlling IH by using the timer KB0, external interrupt, A/D converter, and TAU.

The timer KB0 provides PWM output for IGBT control via TKBO0 and TKBO1.

The timer KB0 also provides three-step periodic PWM output according to the value of Volume input for firepower control (ANI16).

The forced stop function is implemented using forced output stop function 1.

Forced output stop function 1 is triggered by the CMP0 and CMP1 rising edges caused by the over-current detection (IVCMP0) input and over-voltage detection (IVCMP1) input and fixes TKBO0 and TKBO1 output to the low level.

Measurement using the A/D converter (DC voltage detection, temperature detection, IH current detection, and Volume for firepower control) is started when 10 ms elapses by the interval timer after the rising edge of the AC voltage zero cross signal (INTP1).

- (1) Make the initial settings for the ports.
- (2) Make the initial settings for the A/D converter.
- (3) Make the initial settings for the timer KB0.
- (4) Make the initial settings for the timer array unit.
- (5) Make the initial settings for the comparators.
- (6) Start detection of the INTP1 rising edge.
- (7) Start the timer KB.

5.2 List of Option Byte Settings

Table 5.1 lists option byte settings.

Table 5.1 Option Byte Settings

| Address | Setting | Contents |
|---------|-----------|--|
| 000C0H | 11101111B | Watchdog timer is stopped. (Counting stopped after a reset release) |
| 000C1H | 01111111B | LVD reset mode: 2.75 V (2.75 V to 2.81 V) |
| 000C2H | 11100000B | HS mode; HOCO: 24MHz |
| 000C3H | 10000100B | On-chip debugging is enabled. |

5.3 List of Constants

Table 5.2 lists the constants used in the sample code.

Table 5.2 Constants Used in Sample Code

| Constant Name | Setting | Contents |
|---------------|---------|--------------------------------------|
| CHNUM | 4 | Number of analog input channels used |

5.4 List of Variables

Table 5.3 lists the global variables.

Table 5.3 Global Variables

| Type | Variable Name | Contents | Function Used |
|----------|---------------|---|---------------|
| uint16_t | adc_buffer[4] | Buffer for storing A/D conversion results | main() |

5.5 List of Functions

Table 5.4 lists the functions.

Table 5.4 Functions

| Function Name | Summary |
|---------------------------------|---|
| R_COMP0_Start | Starts comparator 0 for over-current detection. |
| R_COMP1_Start | Starts comparator 1 for over-voltage detection. |
| R_INTC1_Start | Starts external interrupt INTP10 for AC zero cross detection. |
| R_TMR_KB0_Start | Starts 16-bit timer KB0 for IGBT control. |
| R_ADC_Set_OperationOn | Enables A/D converter operation. |
| R_ADC_Start | Starts A/D conversion. |
| R_ADC_Get_Result | Stops A/D conversion. |
| R_TAU0_Channel1_Lower8bit_Start | Starts TAU for determination of various measurement timings. |
| r_tau0_channel1_interrupt | TAU operation end interrupt |

5.6 Function Specifications

The following gives the specifications of the functions used in the sample code.

[Function name] R_COMP0_Start

| | |
|---------------|--|
| Summary | Process of starting comparator 0 operation |
| Header | r_cg_comp.h, r_cg_userdefine.h |
| Declaration | void R_COMP0_Start(void) |
| Description | Starts comparator 0 operation. |
| Arguments | None |
| Return values | None |
| Remarks | None |

[Function name] R_COMP1_Start

| | |
|---------------|--|
| Summary | Process of starting comparator 1 operation |
| Header | r_cg_comp.h, r_cg_userdefine.h |
| Declaration | void R_COMP1_Start(void) |
| Description | Starts comparator 1 operation. |
| Arguments | None |
| Return values | None |
| Remarks | None |

[Function name] R_INTC1_Start

| | |
|---------------|--|
| Summary | Process of starting external interrupt operation |
| Header | r_cg_intp.h, r_cg_userdefine.h |
| Declaration | void R_INTC1_Stop(void) |
| Description | Starts external interrupt operation. |
| Arguments | None |
| Return values | None |
| Remarks | None |

[Function name] R_TMR_KB0_Start

| | |
|---------------|---|
| Summary | Process of starting 16-bit timer KB operation |
| Header | r_cg_tmkb.h, r_cg_userdefine.h |
| Declaration | void R_TMR_KB0_Start (void) |
| Description | Starts 16-bit timer KB operation. |
| Arguments | None |
| Return values | None |
| Remarks | None |

[Function name] R_ADC_Set_OperationOn

| | |
|---------------|---|
| Summary | Process of starting A/D converter operation |
| Header | r_cg_adc.h, r_cg_userdefine.h |
| Declaration | void R_ADC_Set_OperationOn (void) |
| Description | Enables A/D converter operation. |
| Arguments | None |
| Return values | None |
| Remarks | None |

[Function name] R_ADC_Start

| | |
|---------------|-------------------------------|
| Summary | Start of A/D conversion |
| Header | r_cg_adc.h, r_cg_userdefine.h |
| Declaration | void R_ADC_Start (void) |
| Description | Starts A/D conversion. |
| Arguments | None |
| Return values | None |
| Remarks | None |

[Function name] R_ADC_Get_Result

| | |
|---------------|--|
| Summary | Acquisition of A/D conversion results |
| Header | r_cg_adc.h, r_cg_userdefine.h |
| Declaration | void R_ADC_Get_Result (uint16_t * const buffer) |
| Description | Acquires A/D conversion results. |
| Arguments | buffer Address of RAM area for acquiring conversion results |
| Return values | None |
| Remarks | None |

[Function name] R_TAU0_Channel1_Lower8bit_Start

| | |
|---------------|---|
| Summary | Process of starting TAU operation |
| Header | r_cg_tau.h, r_cg_userdefine.h |
| Declaration | void R_TAU0_Channel1_Lower8bit_Start (void) |
| Description | Starts TAU operation. |
| Arguments | None |
| Return values | None |
| Remarks | None |

[Function name] r_tau0_channel1_interrupt

| | |
|---------------|---|
| Summary | Process of TAU0 operation end interrupt |
| Header | r_cg_tau.h, r_cg_userdefine.h |
| Declaration | static void __near r_tau0_channel1_interrupt (void) |
| Description | Processes TAU0 operation end interrupt. |
| Arguments | None |
| Return values | None |
| Remarks | None |

5.7 Flowcharts

Figure 5.1 shows the overall flow of the processes described in this application note.

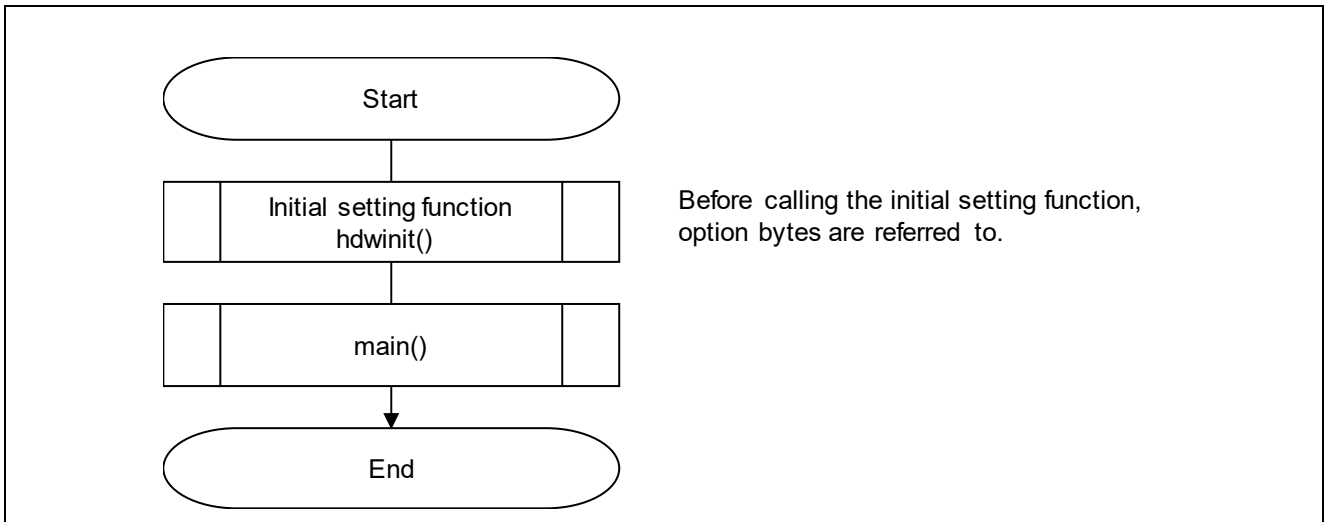


Figure 5.1 Overall Flow

Note: The start-up routine is executed before and after the initial setting function.

5.7.1 Initial Setting Function

Figure 5.2 shows the flowchart of the initial setting function.

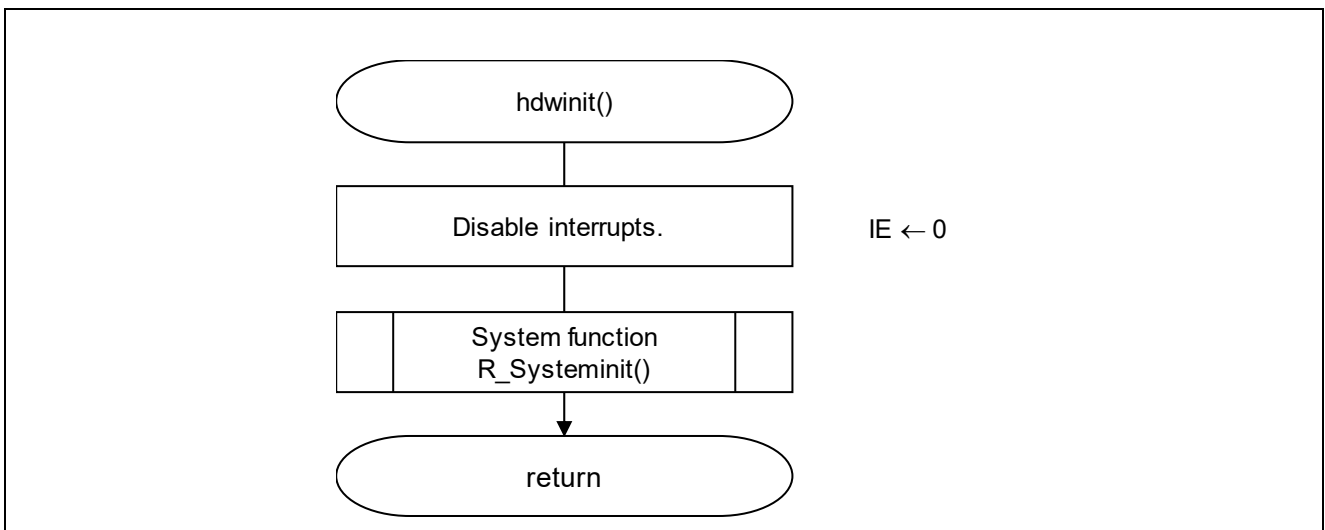


Figure 5.2 Initial Setting Function

5.7.2 System Function

Figure 5.3 shows the flowchart of the system function.

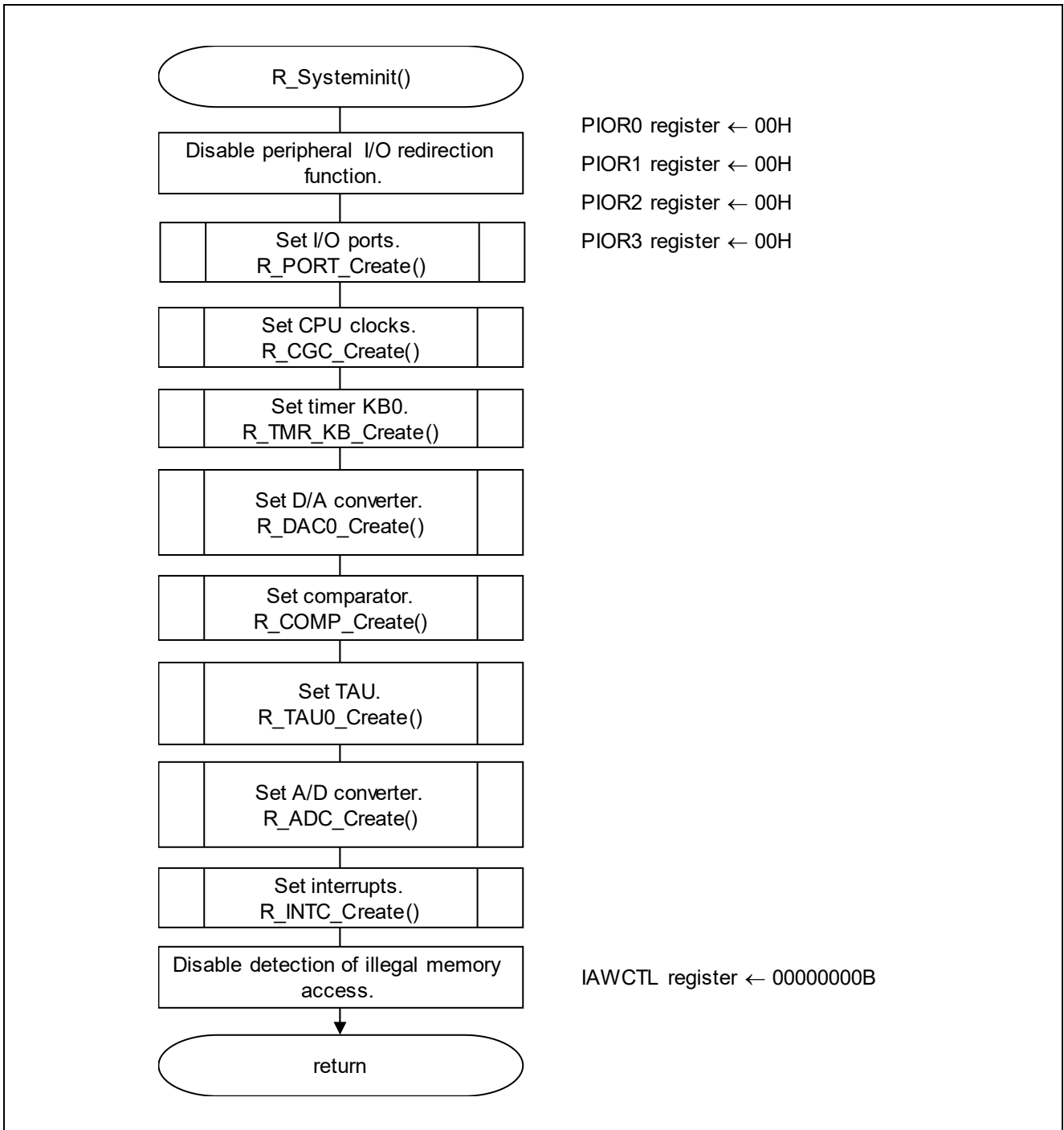


Figure 5.3 System Function

5.7.3 Setting I/O Ports

Figure 5.4 shows the flowchart for setting the I/O ports.

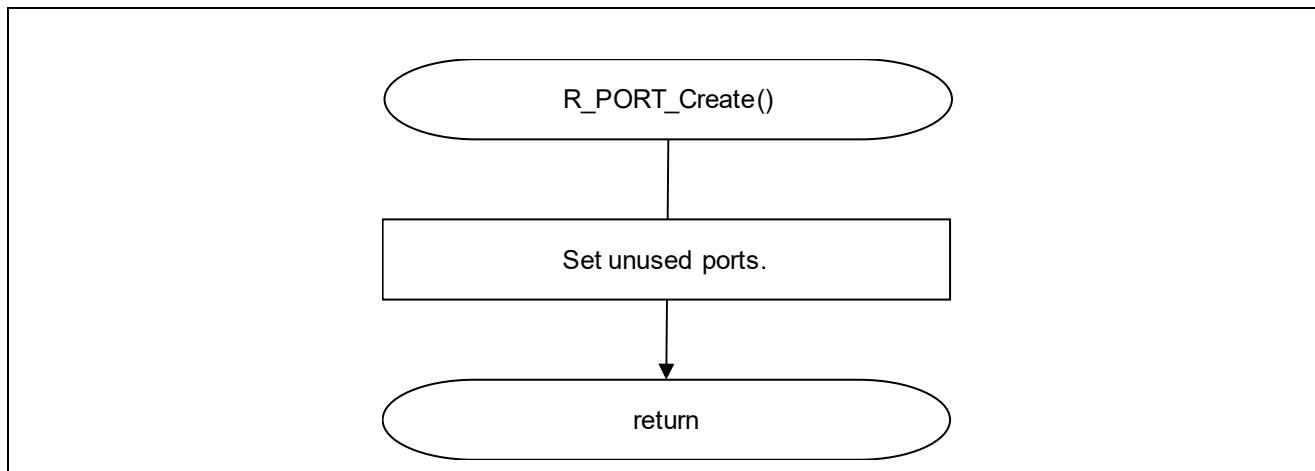


Figure 5.4 Setting I/O Ports

Note: For unused port settings, refer to the RL78/G11 User's Manual: Hardware.

Caution: Design unused ports so that the electrical characteristics are satisfied by appropriately treating the pertinent pins. Separately connect unused input-only ports to V_{DD} or V_{SS} via a resistor.

5.7.4 Setting CPU Clocks

Figure 5.5 shows the flowchart for setting the CPU clocks.

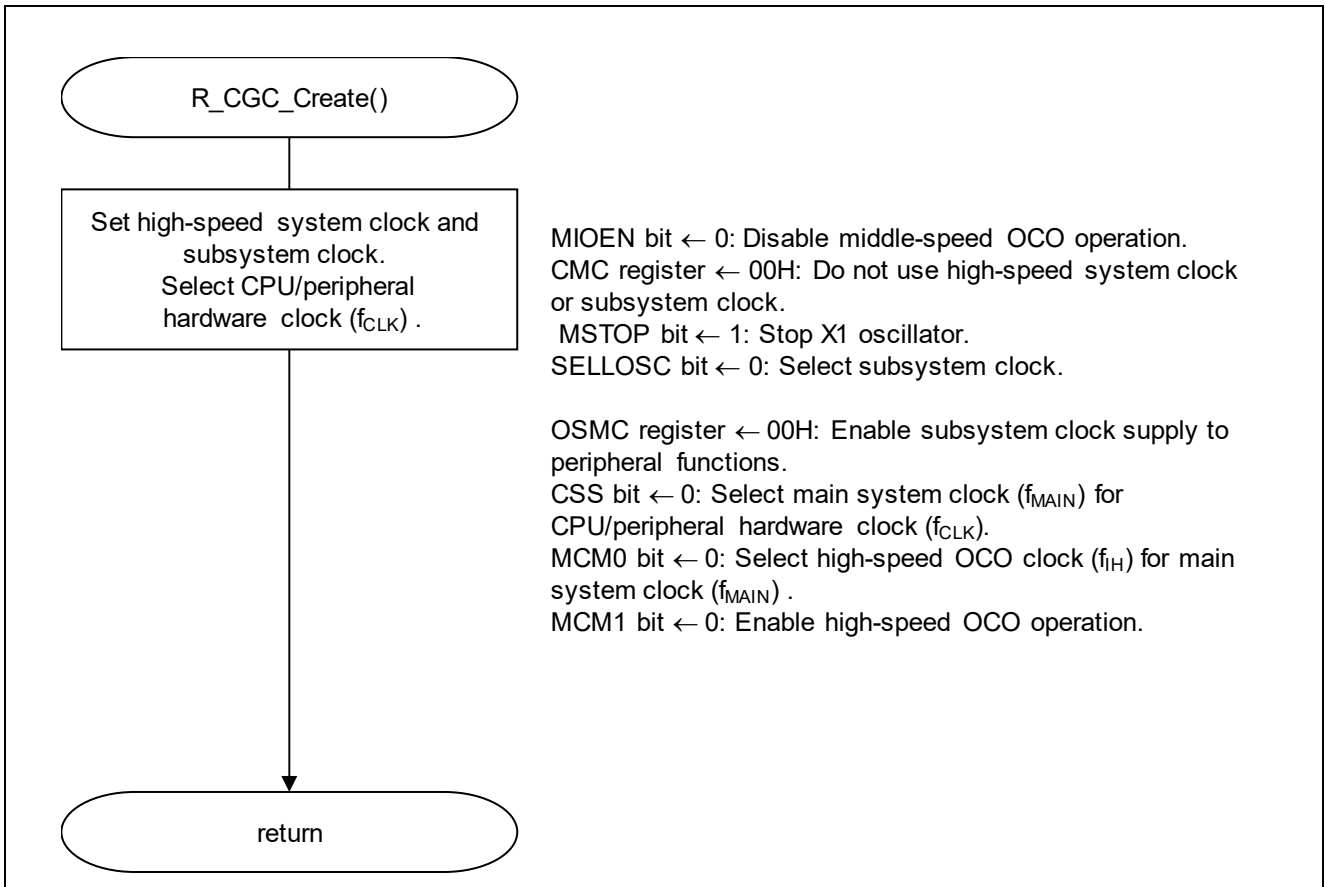


Figure 5.5 Setting CPU Clocks

5.7.5 Setting Timer KB0

Figure 5.6 shows the flowchart for setting the timer KB0.

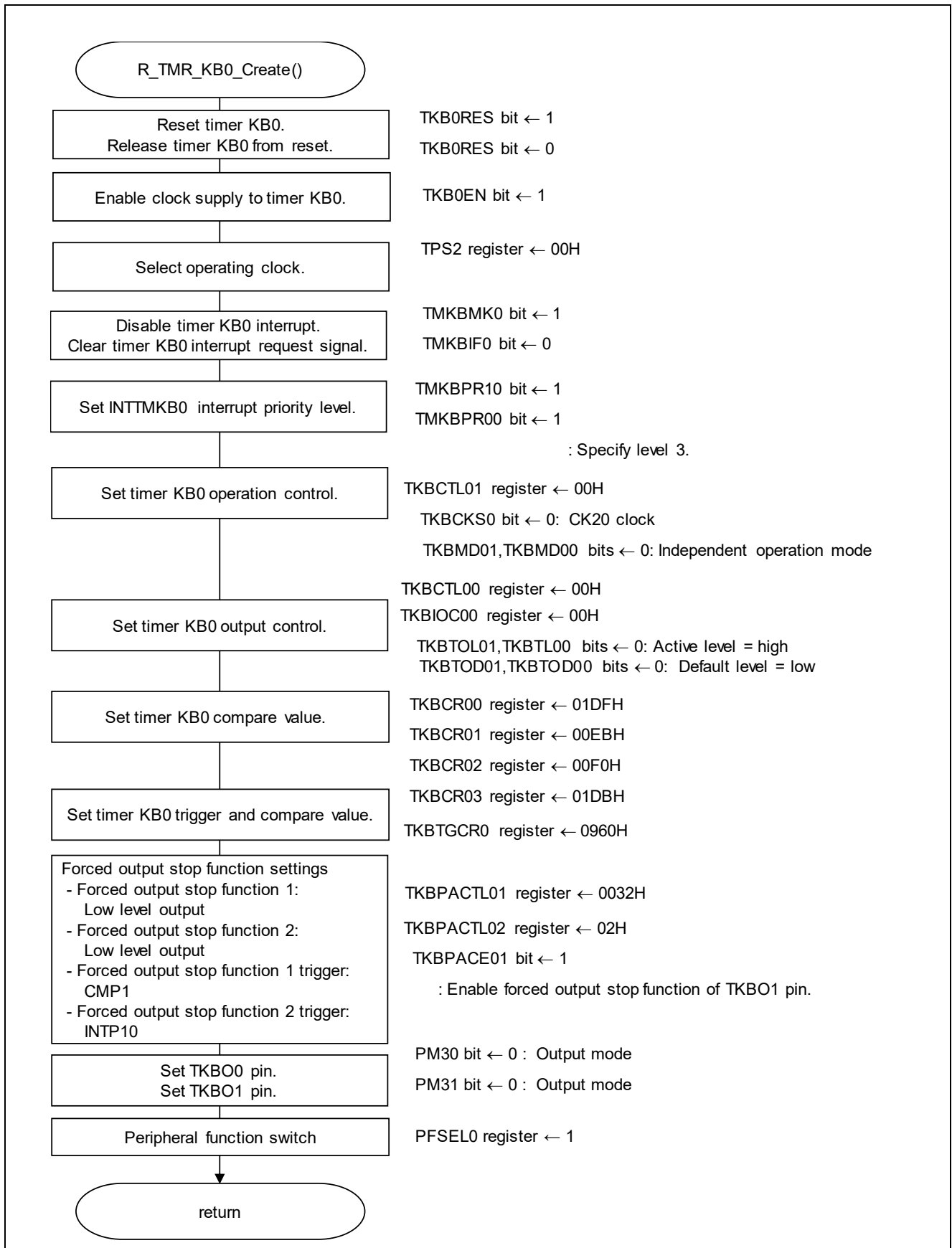


Figure 5.6 Setting Timer KB0

Controlling reset of timer KB0

- Peripheral reset control register 2 (PRR2)
Controls reset of the timer KB0.

Symbol: PRR2

| | | | | | | | | |
|---------|---|--------|---|---|---|---|---|------------|
| | 7 | 6 | 5 | 4 | 3 | 2 | 1 | 0 |
| TMKARES | 0 | DOCRES | 0 | 0 | 0 | 0 | 0 | TKB0RES |
| | x | 0 | x | 0 | 0 | 0 | 0 | 1/0 |

Bit 0

| | |
|----------|----------------------------|
| TKB0RES | Reset control of timer KB0 |
| 0 | Timer KB0 reset release |
| 1 | Timer KB0 reset state |

Starting clock supply to timer KB0

- Peripheral enable register 2 (PER2)
Starts supplying clock to the timer KB0.

Symbol: PER2

| | | | | | | | | |
|--------|---|-------|---|---|---|---|---|----------|
| | 7 | 6 | 5 | 4 | 3 | 2 | 1 | 0 |
| TMKAEN | 0 | DOCEN | 0 | 0 | 0 | 0 | 0 | TKB0EN |
| | x | 0 | x | 0 | 0 | 0 | 0 | 1 |

Bit 0

| | |
|----------|---|
| TKB0EN | Control of timer KB0 input clock supply |
| 0 | Stops input clock supply. |
| 1 | Enables input clock supply. |

Note: For details of register settings, refer to the RL78/G11 User's Manual: Hardware.

Setting timer KB0 operation clock

- Timer clock select register 2 (TPS2)
Selects the timer KB operation clock.

Symbol: TPS2

| | | | | | | | |
|---|----------|----------|----------|---|----------|----------|----------|
| 7 | 6 | 5 | 4 | 3 | 2 | 1 | 0 |
| 0 | TPS212 | TPS211 | TPS210 | 0 | TPS202 | TPS201 | TPS200 |
| 0 | 0 | 0 | 0 | 0 | 0 | 0 | 0 |

Bits 2 to 0

| TPS202 | TPS201 | TPS200 | Selection of operation clock (CK20) | | | | | |
|----------------------|----------|----------|-------------------------------------|---------------------------|---------------------------|----------------------------|----------------------------|----------------------------|
| | | | f_{CLK} | $f_{CLK} = 2 \text{ MHz}$ | $f_{CLK} = 5 \text{ MHz}$ | $f_{CLK} = 10 \text{ MHz}$ | $f_{CLK} = 20 \text{ MHz}$ | $f_{CLK} = 24 \text{ MHz}$ |
| 0 | 0 | 0 | f_{CLK} | 2 MHz | 5 MHz | 10 MHz | 20 MHz | 24 MHz |
| 0 | 0 | 1 | $f_{CLK}/2$ | 1 MHz | 2.5 MHz | 5 MHz | 10 MHz | 12 MHz |
| 0 | 1 | 0 | $f_{CLK}/2^2$ | 500 kHz | 1.25 MHz | 2.5 MHz | 5 MHz | 6 MHz |
| 0 | 1 | 1 | $f_{CLK}/2^3$ | 250 kHz | 625 kHz | 1.25 MHz | 2.5 MHz | 3 MHz |
| 1 | 0 | 0 | $f_{CLK}/2^4$ | 125 kHz | 312.5 kHz | 625 kHz | 1.25 MHz | 1.5 MHz |
| 1 | 0 | 1 | $f_{CLK}/2^5$ | 62.5 kHz | 156.2 kHz | 312.5 kHz | 625 kHz | 750 kHz |
| Other than the above | | | Setting prohibited | | | | | |

Note: For details of register settings, refer to the RL78/G11 User's Manual: Hardware.

Setting timer KB0 interrupt

- Interrupt request flag register (IF2L)
Clears interrupt request flags.
- Interrupt mask flag register (MK2L)
Disables interrupt servicing.

Symbol: IF2L

| 7 | 6 | 5 | 4 | 3 | 2 | 1 | 0 |
|------|---------|----------|--------|--------|-------|--------|--------|
| FLIF | IICAIF1 | TMKBIF0 | ITIF01 | ITIF00 | DOCIF | CMPIF1 | CMPIF0 |
| x | x | 0 | x | x | x | x | x |

Bit 5

| | |
|----------|--|
| TMKBIF0 | Interrupt request flag |
| 0 | No interrupt request signal is generated. |
| 1 | Interrupt request is generated, interrupt request status |

Symbol: MK2L

| 7 | 6 | 5 | 4 | 3 | 2 | 1 | 0 |
|------|---------|----------|--------|--------|-------|--------|--------|
| FLMK | IICAMK1 | TMKBMK0 | ITMK01 | ITMK00 | DOCMK | CMPMK1 | CMPMK0 |
| x | x | 1 | x | x | x | x | x |

Bit 5

| | |
|----------|-------------------------------------|
| TMKBMK0 | Interrupt servicing control |
| 0 | Interrupt servicing enabled |
| 1 | Interrupt servicing disabled |

Note: For details of register settings, refer to the RL78/G11 User's Manual: Hardware.

Setting timer KB operation control

- 16-bit timer KB operation control register 01 (TKBCTL01)

Controls timer KB0 operation.

Selects timer KB0 clock.

Selects timer KB0 operation mode.

Symbol: TKBCTL01

| | | | | | | | | |
|----------|---|---|----------|---|---|----------|----------|---|
| | 7 | 6 | 5 | 4 | 3 | 2 | 1 | 0 |
| TKBCE0 | 0 | 0 | TKBCKS0 | 0 | 0 | TKBMD01 | TKBMD00 | |
| 0 | 0 | 0 | 0 | 0 | 0 | 0 | 0 | |

Bit 7

| | |
|----------|--|
| TKBCE0 | Timer KB0 operation control |
| 0 | Stops timer operation (counter is set to FFFF). |
| 1 | Enables timer count operation. |

Bit 4

| | |
|----------|---|
| TKBCKS0 | Timer KB0 clock selection |
| 0 | CK20 clock selected by TPS202 to TPS200 bits |
| 1 | CK21 clock selected by TPS212 to TPS210 bits |

Bits 1 and 0

| | | |
|----------------------|----------|--------------------------------------|
| TKBMD01 | TKBMD00 | Timer KB0 operation mode selection |
| 0 | 0 | Standalone mode (uses master) |
| 1 | 1 | Interleave PFC output mode |
| Other than the above | | Setting prohibited |

Note: For details of register settings, refer to the RL78/G11 User's Manual: Hardware.

Setting timer KB0 output control

- 16-bit timer KB output control register 00 (TKBIOC00)
 Sets the active level in timer output TKBO0.
 Sets the default level in timer output TKBO2.

Symbol: TKBIOC00

| | | | | | | | |
|---|---|---|---|----------|----------|----------|----------|
| 7 | 6 | 5 | 4 | 3 | 2 | 1 | 0 |
| 0 | 0 | 0 | 0 | TKBTOL01 | TKBTOL00 | TKBTOD01 | TKBTOD00 |
| 0 | 0 | 0 | 0 | 0 | 0 | 0 | 0 |

Bits 3 and 2

| | |
|----------|--|
| TKBTOL0n | Active level setting of timer output TKBO _n (n = 1,0) |
| 0 | High level |
| 1 | Low level |

Bits 1 and 0

| | |
|----------|---|
| TKBTOD0n | Default level setting of timer output TKBO _n (n = 1,0) |
| 0 | Low level |
| 1 | High level |

Note: For details of register settings, refer to the RL78/G11 User's Manual: Hardware.

Setting timer KB0 forced output stop function

- Forced output stop function control register 00 (TKBPACTL00)
 Selects the external interrupt trigger, comparator trigger, and operation mode for forced output stop function 2.
 Selects the comparator trigger, output status, and clear condition for forced output stop function 1.
- Forced output stop function control register 02 (TKBPACTL02)
 Controls trigger signal input.

Symbol: TKBPACTL00

| | | | | | | | |
|-------------|-------------|-------------|-------------|----|----|---|------------|
| 15 | 14 | 13 | 12 | 11 | 10 | 9 | 8 |
| TKBPAFXS013 | TKBPAFXS012 | TKBPAFXS011 | TKBPAFXS010 | 0 | 0 | 0 | TKBPAFCM01 |
| 0 | 0 | 0 | 0 | 0 | 0 | 0 | 0 |

| | | | | | | | |
|---|---|-------------|-------------|------------|------------|----------------|----------------|
| 7 | 6 | 5 | 4 | 3 | 2 | 1 | 0 |
| 0 | 0 | TKBPAHXS011 | TKBPAHXS010 | KBPAHCM011 | KBPAHCM010 | TKBPAMD 011 | TKBPAMD 010 |
| 0 | 0 | 1 | 1 | 0 | 1 | 1 | 0 |

Bit 15

| | |
|-------------|---|
| TKBPAFXS013 | External interruption trigger selection for forced output stop function 2 |
| 0 | INTP11 cannot be used as a trigger. |
| 1 | INTP11 can be used as a trigger. |

Bit 14

| | |
|-------------|---|
| TKBPAFXS012 | External interruption trigger selection for forced output stop function 2 |
| 0 | INTP10 cannot be used as a trigger. |
| 1 | INTP10 can be used as a trigger. |

Bit 13

| | |
|-------------|--|
| TKBPAFXS011 | Comparator trigger selection for forced output stop function 2 |
| 0 | CMP1 cannot be used as a trigger. |
| 1 | CMP1 can be used as a trigger. |

Bit 12

| | |
|-------------|--|
| TKBPAFXS010 | Comparator trigger selection for forced output stop function 2 |
| 0 | CMP0 cannot be used as a trigger. |
| 1 | CMP0 can be used as a trigger. |

Bit 8

| | |
|------------|--|
| TKBPAFCM01 | Operation mode selection for forced output stop function 2 |
| 0 | Forced output stop function 2 starts with trigger input, and forced output stop function 2 is cleared at the next counter period. |
| 1 | Forced output stop function 2 starts with trigger input, and forced output stop function 2 is cleared at the next counter period following detection of the reverse edge of the trigger. |

Note: For details of register settings, refer to the RL78/G11 User's Manual: Hardware.

Symbol: TKBPACTL00

| | | | | | | | |
|-------------|-------------|-------------|-------------|----|----|---|------------|
| 15 | 14 | 13 | 12 | 11 | 10 | 9 | 8 |
| TKBPAFXS013 | TKBPAFXS012 | TKBPAFXS011 | TKBPAFXS010 | 0 | 0 | 0 | TKBPAFCM01 |
| 0 | 0 | 0 | 0 | 0 | 0 | 0 | 0 |

| | | | | | | | |
|---|---|-------------|-------------|------------|------------|----------------|----------------|
| 7 | 6 | 5 | 4 | 3 | 2 | 1 | 0 |
| 0 | 0 | TKBPAHVS011 | TKBPAHVS010 | KBPAHCM011 | KBPAHCM010 | TKBPAMD 011 | TKBPAMD 010 |
| 0 | 0 | 1 | 1 | 0 | 0 | 1 | 0 |

Bit 5

| | |
|-------------|--|
| TKBPAHVS011 | Comparator trigger selection for forced output stop function 1 |
| 0 | CMP1 cannot be used as a trigger. |
| 1 | CMP1 can be used as a trigger. |

Bit 4

| | |
|-------------|--|
| TKBPAHVS010 | Comparator trigger selection for forced output stop function 1 |
| 0 | CMP0 cannot be used as a trigger. |
| 1 | COM0 can be used as a trigger. |

Bits 3 and 2

| | | |
|-------------|-------------|---|
| TKBPAHCM011 | TKBPAHCM010 | Clear condition selection for forced output stop function 1 |
| 0 | 0 | Forced output stop function 1 starts with trigger input, and forced output stop function 1 is cleared when forced output stop function release trigger (TKBPAHTT01) = 1 is written, regardless of the trigger signal level. |
| 0 | 1 | Forced output stop function 1 starts with trigger input, and when the trigger signal is in its active period, writing "forced output stop function release trigger (TKBPAHTT01) = 1" is invalid. Forced output stop function 1 is cleared when forced output stop function release trigger (TKBPAHTT01) = 1 is written while the trigger signal is in its inactive period. |
| 1 | 0 | Forced output stop function 1 starts with trigger input, and forced output stop function 1 is cleared at the next counter period after forced output stop function release trigger (TKBPAHTT01) = 1 is written, regardless of the trigger signal level. <small>Note</small> |
| 1 | 1 | Forced output stop function 1 starts with trigger input, and when the trigger signal is in its active period, writing "forced output stop function release trigger (TKBPAHTT01) = 1" is invalid. Forced output stop function 1 is cleared at the next counter period after forced output stop function release trigger (TKBPAHTT01) = 1 is written when the trigger signal is in its inactive period. <small>Note</small> |

Note: When timer KB is stopped (TKBCE0 = 0) without waiting for the next counter period, the forced output stop function is kept on until timer KB is restarted (TKBCE0 = 1).

Note: For details of register settings, refer to the RL78/G11 User's Manual: Hardware.

Symbol: TKBPACTL00

| | | | | | | | |
|-------------|-------------|-------------|-------------|----|----|---|------------|
| 15 | 14 | 13 | 12 | 11 | 10 | 9 | 8 |
| TKBPAFXS013 | TKBPAFXS012 | TKBPAFXS011 | TKBPAFXS010 | 0 | 0 | 0 | TKBPAFCM01 |
| 0 | 0 | 0 | 0 | 0 | 0 | 0 | 0 |

| | | | | | | | |
|---|---|-------------|-------------|------------|------------|----------------|----------------|
| 7 | 6 | 5 | 4 | 3 | 2 | 1 | 0 |
| 0 | 0 | TKBPAHVS011 | TKBPAHVS010 | KBPAHCM011 | KBPAHCM010 | TKBPAMD 011 | TKBPAMD 010 |
| 0 | 0 | 1 | 1 | 0 | 0 | 1 | 0 |

Bits 1 and 0

| TKBPAMD011 | TKBPAMD010 | Output status selection when executing forced output stop function | |
|------------|------------|--|-------------------------------|
| | | Forced output stop function 1 | Forced output stop function 2 |
| 0 | 0 | Hi-Z output | Output fixed at low level |
| 0 | 1 | Hi-Z output | Output fixed at high level |
| 1 | 0 | Output fixed at low level | Output fixed at low level |
| 1 | 1 | Output fixed at high level | Output fixed at high level |

Note: For details of register settings, refer to the RL78/G11 User’s Manual: Hardware.

Symbol: TKBPACTL02

| | | | | | | | |
|---|---|---|---|---|---|-----------|-----------|
| 7 | 6 | 5 | 4 | 3 | 2 | 1 | 0 |
| 0 | 0 | 0 | 0 | 0 | 0 | TKBPACE01 | TKBPACE00 |
| 0 | 0 | 0 | 0 | 0 | 0 | 0 | 1 |

Bits 1 and 0

| | |
|-----------|---|
| TKBPACE0n | Input control of trigger signal used for forced output stop function of the TKBO0 pin |
| 0 | Disable operation of forced output stop function |
| 1 | Enable operation of forced output stop function |

Note: For details of register settings, refer to the RL78/G11 User’s Manual: Hardware.

5.7.6 Setting D/A Converter

Figure 5.7 shows the flowchart for setting the D/A converter.

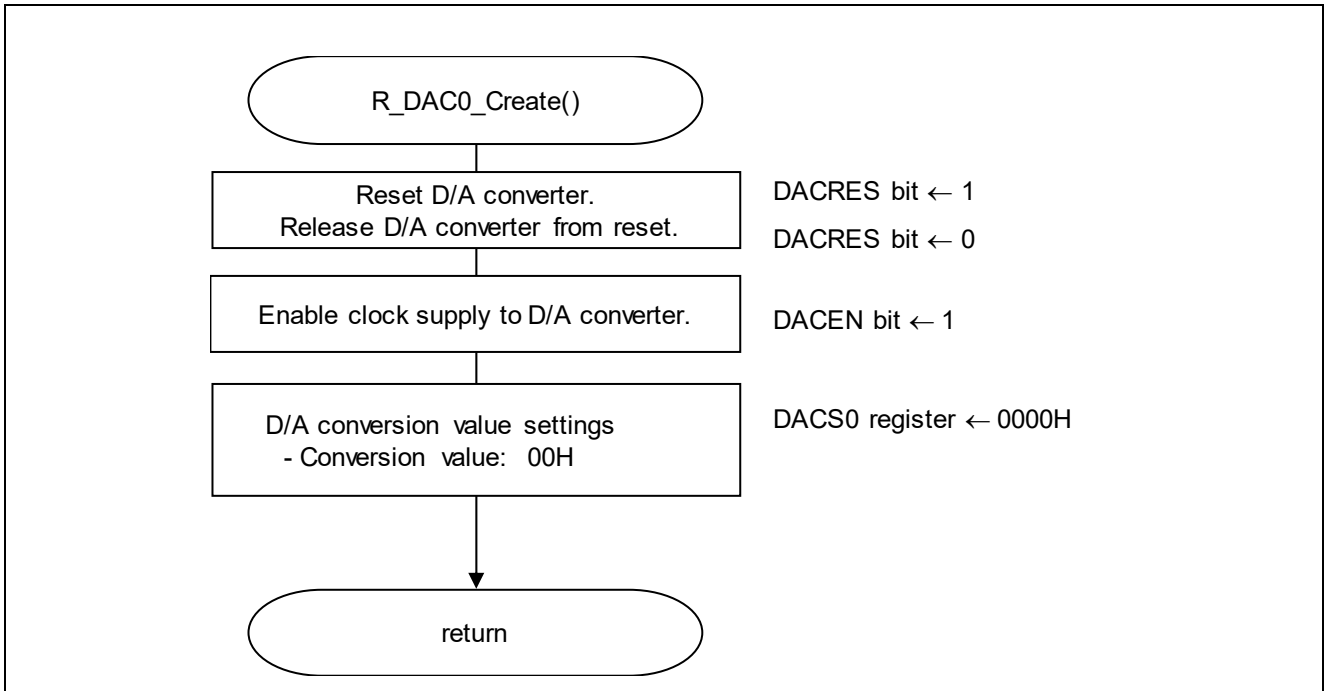


Figure 5.7 Setting D/A Converter

Setting peripheral reset of D/A converter

- Peripheral reset control register (PRR1)
Controls reset of the D/A converter.

Symbol: PRR1

| | | | | | | | |
|------------|---|--------|---|---|---------|---|---|
| 7 | 6 | 5 | 4 | 3 | 2 | 1 | 0 |
| DACRES | 0 | CMPRES | 0 | 0 | PGA0RES | 0 | 0 |
| 0/1 | 0 | x | 0 | 0 | x | 0 | 0 |

Bit 7

| | |
|----------|------------------------------------|
| DACRES | Reset control of D/A converter |
| 0 | D/A converter reset release |
| 1 | D/A converter reset state |

Starting clock supply to D/A converter

- Peripheral enable register 1 (PER1)
Starts supplying clock to the D/A converter.

Symbol: PER1

| | | | | | | | |
|----------|---|-------|---|-------|--------|---|---|
| 7 | 6 | 5 | 4 | 3 | 2 | 1 | 0 |
| DACEN | 0 | CMPEN | 0 | DTCEN | PGA0EN | 0 | 0 |
| 1 | 0 | x | 0 | x | x | 0 | 0 |

Bit 0

| | |
|----------|--------------------------------------|
| DACEN | Control of D/A converter input clock |
| 0 | Stops input clock supply. |
| 1 | Supplies input clock. |

Note: For details of register settings, refer to the RL78/G11 User's Manual: Hardware.

Setting D/A conversion value

- D/A conversion value setting register 0 (DACS0)
Sets the analog voltage value to be output to the D/A converter pins.

Symbol: DACS0

| | | | | | | | |
|----------|----------|----------|----------|----------|----------|----------|----------|
| 7 | 6 | 5 | 4 | 3 | 2 | 1 | 0 |
| DACS07 | DACS06 | DACS05 | DACS04 | DACA03 | DACS02 | DACS01 | DACS00 |
| 0 | 0 | 0 | 0 | 0 | 0 | 0 | 0 |

Note: For details of register settings, refer to the RL78/G11 User's Manual: Hardware.

5.7.7 Setting A/D Converter

Figure 5.8 shows the flowchart for setting the A/D converter.

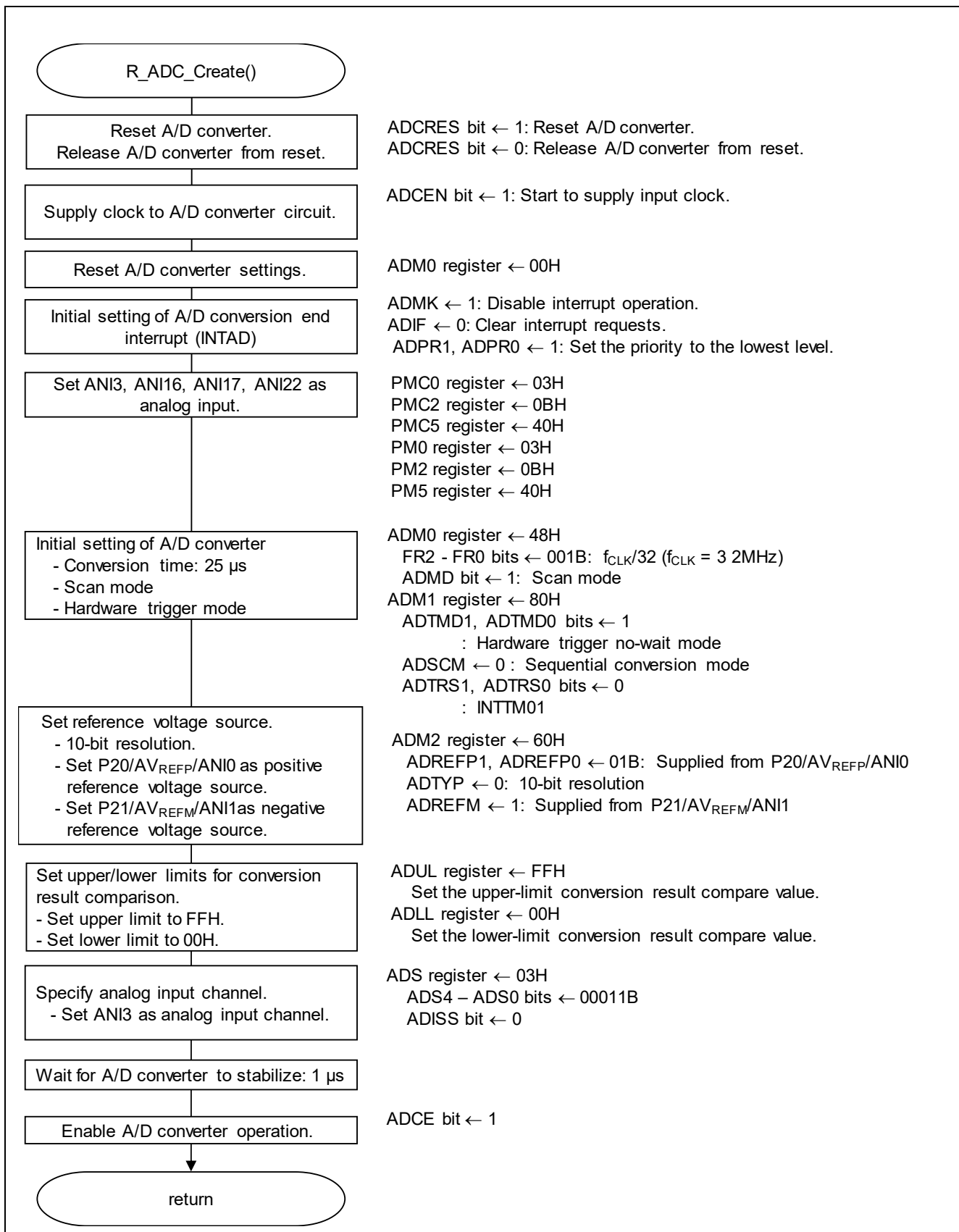


Figure 5.8 Setting A/D Converter

Starting clock supply to A/D converter

- Peripheral enable register 0 (PER0)

Starts supplying clock to the A/D converter.

Symbol: PER0

| | 7 | 6 | 5 | 4 | 3 | 2 | 1 | 0 |
|--|---|--------|----------|---------|---|--------|---|--------|
| | 0 | ICA1EN | ADCEN | IICA0EN | 0 | SAU0EN | 0 | TAU0EN |
| | 0 | x | 1 | x | 0 | x | 0 | x |

Bit 5

| ADCEN | Control of A/D converter input clock supply |
|----------|---|
| 0 | Stops input clock supply. |
| 1 | Enables input clock supply. |

Setting A/D conversion time and operation mode

- A/D converter mode register 0 (ADM0)

Controls the A/D conversion operation.

Sets the A/D conversion channel select mode.

Symbol: ADM0

| | 7 | 6 | 5 | 4 | 3 | 2 | 1 | 0 |
|--|------|----------|----------|----------|----------|----------|----------|------|
| | ADCS | ADMD | FR2 | FR1 | FR0 | LV1 | LV0 | ADCE |
| | x | 1 | 0 | 0 | 1 | 0 | 0 | x |

Bit 6

| ADMD | Specification of A/D conversion channel selection mode |
|----------|--|
| 0 | Select mode |
| 1 | Scan mode |

Note: For details of register settings, refer to the RL78/G11 User's Manual: Hardware.

Symbol: ADM0

| | | | | | | | |
|------|------|-----|-----|-----|-----|-----|------|
| 7 | 6 | 5 | 4 | 3 | 2 | 1 | 0 |
| ADCS | ADMD | FR2 | FR1 | FR0 | LV1 | LV0 | ADCE |
| x | 0 | 0 | 0 | 1 | 1 | 0 | x |

Bits 5 to 1

| ADM0 | | | | | Mode | Conv clock (f _{AD}) | No. of conv clock (Sampling clock) | Conv time | Conversion time selection | | | | | | | |
|------|-----|-----|-----|-----|----------|-------------------------------|---|-----------------------|---------------------------|------------------------|------------------------|-------------------------|-------------------------|----------|----------|--------------------|
| FR2 | FR1 | FR0 | LV1 | LV2 | | | | | f _{CLK} =1MHz | f _{CLK} =4MHz | f _{CLK} =8MHz | f _{CLK} =16MHz | f _{CLK} =24MHz | | | |
| 0 | 0 | 0 | 0 | 0 | Normal 1 | f _{CLK} /64 | 19 f _{AD} (No. of Sampling clock: 7 f _{AD}) | 1216/f _{CLK} | Setting prohibited | Setting prohibited | Setting prohibited | 84µs | 50.667µs | | | |
| 0 | 0 | 1 | | | | f _{CLK} /32 | | 608/f _{CLK} | | | | 76µs | 42µs | 25.333µs | | |
| 0 | 1 | 0 | | | | f _{CLK} /16 | | 304/f _{CLK} | | | | 76µs | 38µs | 19µs | 12.667µs | |
| 0 | 1 | 1 | | | | f _{CLK} /8 | | 152/f _{CLK} | | | | 38µs | 19µs | 9.5µs | 6.333µs | |
| 1 | 0 | 0 | | | | f _{CLK} /6 | | 114/f _{CLK} | | | | 28.5 | 14.25µs | 7.125µs | 4.75µs | |
| 1 | 0 | 1 | | | | f _{CLK} /5 | | 95/f _{CLK} | | | | 95µs | 23.75µs | 11.875µs | 5.938µs | 3.958µs |
| 1 | 1 | 0 | | | | f _{CLK} /4 | | 76/f _{CLK} | | | | 76µs | 19µs | 9.5µs | 4.75µs | 3.167µs |
| 1 | 1 | 1 | | | | f _{CLK} /2 | | 38/f _{CLK} | | | | 38µs | 9.5µs | 4.75µs | 2.375µs | Setting prohibited |
| 0 | 0 | 0 | 1 | 1 | Normal 2 | f _{CLK} /64 | 17 f _{AD} (No. of Sampling clock: 5 f _{AD}) | 1088/f _{CLK} | Setting prohibited | Setting prohibited | Setting prohibited | 68µs | 45.333µs | | | |
| 0 | 0 | 1 | | | | f _{CLK} /32 | | 544/f _{CLK} | | | | 68µs | 34µs | 22.667µs | | |
| 0 | 1 | 0 | | | | f _{CLK} /16 | | 272/f _{CLK} | | | | 68µs | 34µs | 17µs | 11.333µs | |
| 0 | 1 | 1 | | | | f _{CLK} /8 | | 136/f _{CLK} | | | | 34µs | 17µs | 8.5µs | 5.667µs | |
| 1 | 0 | 0 | | | | f _{CLK} /6 | | 102/f _{CLK} | | | | 25.5µs | 12.75µs | 6.375µs | 4.25µs | |
| 1 | 0 | 1 | | | | f _{CLK} /5 | | 85/f _{CLK} | | | | 85µs | 21.25µs | 10.625µs | 5.3125µs | 3.542µs |
| 1 | 1 | 0 | | | | f _{CLK} /4 | | 68/f _{CLK} | | | | 68µs | 17µs | 8.5µs | 4.25µs | 2.833µs |
| 1 | 1 | 1 | | | | f _{CLK} /2 | | 34/f _{CLK} | | | | 34µs | 8.5µs | 4.25µs | 2.125µs | Setting prohibited |

Note: For details of register settings, refer to the RL78/G11 User's Manual: Hardware.

Setting A/D conversion trigger mode

- A/D converter mode register 1 (ADM1)
 - Selects the A/D conversion trigger mode.
 - Specifies the A/D conversion operation mode
 - Selects the hardware trigger signal.

Symbol: ADM1

| | | | | | | | |
|----------|----------|----------|---|---|---|----------|----------|
| 7 | 6 | 5 | 4 | 3 | 2 | 1 | 0 |
| ADTMD1 | ADTMD0 | ADSCM | 0 | 0 | 0 | ADTRS1 | ADTRS0 |
| 1 | 0 | 0 | 0 | 0 | 0 | 0 | 0 |

Bits 7 and 6

| ADTMD1 | ADTMD0 | Selection of A/D conversion trigger mode |
|----------|----------|--|
| 0 | x | Software trigger mode |
| 1 | 0 | Hardware trigger no-wait mode |
| 1 | 1 | Hardware trigger wait mode |

Bit 5

| ADSCM | Specification of A/D conversion mode |
|----------|--------------------------------------|
| 0 | Sequential conversion mode |
| 1 | One-shot conversion mode |

Bits 1 and 0

| ADTRS1 | ADTRS0 | Selection of hardware trigger signal |
|----------|----------|--|
| 0 | 0 | End of timer channel 01 count or capture interrupt signal (INTTM01) |
| 0 | 1 | Event signal selected by ELC |
| 1 | 0 | Real-time clock 2 interrupt signal (INTRTC) |
| 1 | 1 | 12-bit interval timer interrupt signal (INTIT) |

Note: For details of register settings, refer to the RL78/G11 User's Manual: Hardware.

Setting reference voltage source

- A/D converter mode register 2 (ADM2)

Selects the A/D converter positive-side reference voltage source.

Selects the A/D converter negative-side reference voltage source.

Checks the conversion result upper-limit/lower-limit value

Sets SNOOZE mode.

Selects A/D conversion resolution.

Symbol: ADM2

| 7 | 6 | 5 | 4 | 3 | 2 | 1 | 0 |
|----------|----------|----------|---|----------|----------|---|----------|
| ADREFP1 | ADREFP0 | ADREFM | 0 | ADRCK | AWC | 0 | ADTYP |
| 0 | 1 | 1 | 0 | 0 | 0 | 0 | 0 |

Bits 7 and 6

| ADREFP1 | ADREFP0 | Selection of + side reference voltage source of A/D converter |
|----------|----------|---|
| 0 | 0 | Supplied from V_{DD} |
| 0 | 1 | Supplied from AV_{REFP}/ANI |
| 1 | 0 | Supplied from internal reference voltage (1.45 V) |
| 1 | 1 | Setting prohibited |

Bit 5

| ADREFM | Selection of \square side reference voltage source of A/D converter |
|----------|---|
| 0 | Supplied from V_{SS} |
| 1 | Supplied from $AV_{REFM}/ANI1$ |

Bit 3

| ADRCK | Checking upper limit and lower limit conversion result values |
|----------|--|
| 0 | Interrupt signal (INTAD) is generated when the ADLL register \leq the ADCR register \leq the ADUL register. |
| 1 | Interrupt signal (INTAD) is generated when ADCR register < ADLL register, ADUL register < ADCR register. |

Bit 2

| AWC | Specification of SNOOZE mode |
|----------|---|
| 0 | Do not use the SNOOZE mode function. |
| 1 | Use the SNOOZE mode function. |

Bit 0

| ADTYP | Selection of A/D conversion resolution |
|----------|--|
| 0 | 10-bit resolution |
| 1 | 8-bit resolution |

Note: For details of register settings, refer to the RL78/G11 User's Manual: Hardware.

Setting upper limit and lower limit values for conversion result comparison

- Conversion result comparison upper limit setting register (ADUL)
 - Conversion result comparison lower limit setting register (ADLL)
- Sets the upper limit and lower limit conversion result compare values.

Symbol: ADUL

| 7 | 6 | 5 | 4 | 3 | 2 | 1 | 0 |
|----------|----------|----------|----------|----------|----------|----------|----------|
| ADUL7 | ADUL6 | ADUL5 | ADUL4 | ADUL3 | ADUL2 | ADUL1 | ADUL0 |
| 1 | 1 | 1 | 1 | 1 | 1 | 1 | 1 |

Symbol: ADLL

| 7 | 6 | 5 | 4 | 3 | 2 | 1 | 0 |
|----------|----------|----------|----------|----------|----------|----------|----------|
| ADLL7 | ADLL6 | ADLL5 | ADLL4 | ADLL3 | ADLL2 | ADLL1 | ADLL0 |
| 0 | 0 | 0 | 0 | 0 | 0 | 0 | 0 |

Note: For details of register settings, refer to the RL78/G11 User's Manual: Hardware.

Setting input channel

- Analog input channel specification register (ADS)
Specifies the input channel of analog voltage to be converted.

Symbol: ADS

| | | | | | | | | |
|-------|----------|---|---|----------|----------|----------|----------|----------|
| | 7 | 6 | 5 | 4 | 3 | 2 | 1 | 0 |
| ADISS | 0 | 0 | 0 | ADS4 | ADS3 | ADS2 | ADS1 | ADS0 |
| | 0 | 0 | 0 | 0 | 0 | 0 | 1 | 1 |

Bits 7, 4 to 0

| ADISS | ADS4 | ADS3 | ADS2 | ADS1 | ADS0 | Analog input channel | Input source |
|------------------|----------|----------|----------|----------|----------|----------------------|---|
| 0 | 0 | 0 | 0 | 0 | 0 | ANI0 | P20/ANI0/AV _{REFP} pin |
| 0 | 0 | 0 | 0 | 0 | 1 | ANI1 | P21/ANI1/AV _{REFM} pin |
| 0 | 0 | 0 | 0 | 1 | 0 | ANI2 | P22/ANI2 pin |
| 0 | 0 | 0 | 0 | 1 | 1 | ANI3 | P23/ANI3 pin |
| 0 | 1 | 0 | 0 | 0 | 0 | ANI16 | P01/ANI16 pin |
| 0 | 1 | 0 | 0 | 0 | 1 | ANI17 | P00/ANI17 pin |
| 0 | 1 | 0 | 0 | 1 | 0 | ANI18 | P33/ANI18 pin |
| 0 | 1 | 0 | 0 | 1 | 1 | ANI19 | P32/ANI19 pin |
| 0 | 1 | 0 | 1 | 0 | 0 | ANI20 | P31/ANI20 pin |
| 0 | 1 | 0 | 1 | 0 | 1 | ANI21 | P30/ANI21 pin |
| 0 | 1 | 0 | 1 | 1 | 0 | ANI22 | P56/ANI22 pin |
| 0 | 1 | 0 | 1 | 1 | 1 | — | PGAOUT(PGA output) |
| 1 | 0 | 0 | 0 | 0 | 0 | — | Temperature sensor output voltage ^{note1} |
| 1 | 0 | 0 | 0 | 0 | 1 | — | Internal reference voltage (1.45V) ^{note1} |
| Other than above | | | | | | Setting prohibited | |

Note1: Operation is possible only in HS (high-speed main) mode.

Note: For details of register settings, refer to the RL78/G11 User's Manual: Hardware.

Setting A/D conversion end interrupt

- Interrupt request flag register (IF1H)
Clears interrupt request flags.
- Interrupt mask flag register (MK1H)
Disables interrupt processing.

Symbol: IF1H

| | | | | | | | |
|-------|-------|------|------|------|------|--------|----------|
| 7 | 6 | 5 | 4 | 3 | 2 | 1 | 0 |
| PIF11 | PIF10 | PIF9 | PIF8 | PIF7 | KRIF | TMKAIF | ADIF |
| x | x | x | x | x | x | x | 0 |

Bit 0

| | |
|----------|--|
| ADIF | Interrupt request flag |
| 0 | No interrupt request signal is generated |
| 1 | Interrupt request is generated, interrupt request status |

Symbol: MK1H

| | | | | | | | |
|-------|-------|------|------|------|------|--------|----------|
| 7 | 6 | 5 | 4 | 3 | 2 | 1 | 0 |
| PMK11 | PMK10 | PMK9 | PMK8 | PMK7 | KRMK | TMKAMK | ADMK |
| x | x | x | x | x | x | x | 1 |

Bit 0

| | |
|----------|-------------------------------------|
| ADMK | Interrupt servicing control |
| 0 | Interrupt servicing enabled |
| 1 | Interrupt servicing disabled |

Note: For details of register settings, refer to the RL78/G11 User's Manual: Hardware.

5.7.8 Setting Comparator

Figure 5.9 shows the flowchart for setting the comparator.

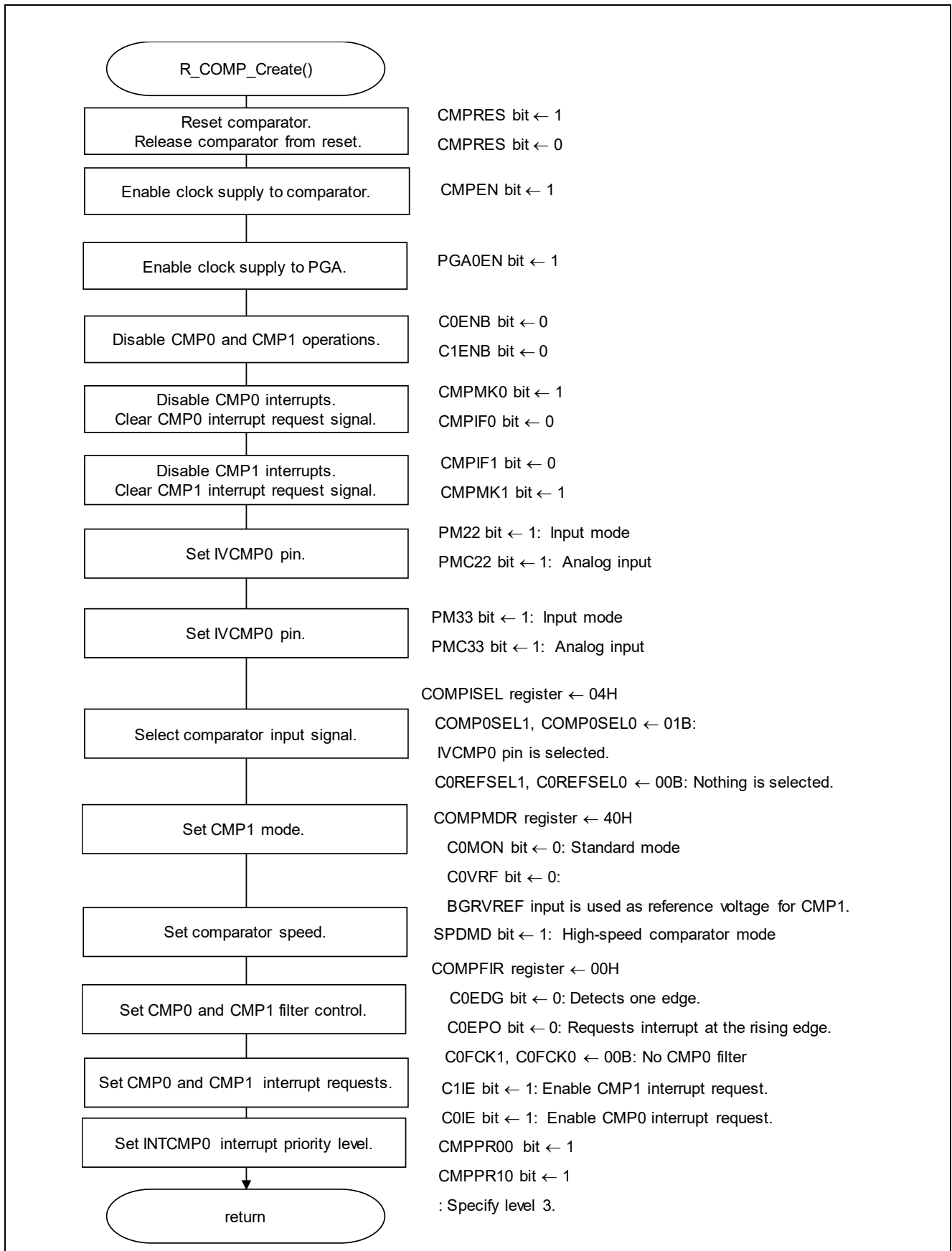


Figure 5.9 Setting Comparators

Starting clock supply to comparator

- Peripheral enable register 1 (PER1)

Starts supplying clock to the A/D converter.

Symbol: PER1

| | | | | | | | | |
|-------|---|----------|---|-------|--------|---|---|---|
| | 7 | 6 | 5 | 4 | 3 | 2 | 1 | 0 |
| DACEN | 0 | CMPEN | 0 | DTCEN | PGA0EN | 0 | 0 | 0 |
| x | 0 | 1 | 0 | x | x | 0 | 0 | 0 |

Bit 5

| | |
|----------|------------------------------------|
| CMPEN | Control of comparator input clock |
| 0 | Stops input clock supply. |
| 1 | Enables input clock supply. |

Setting comparator operation

- Comparator mode setting register (COMPMDR)

Enables comparator operation.

Symbol: COMPMDR

| | | | | | | | | |
|-------|-------|-------|----------|-------|-------|-------|----------|---|
| | 7 | 6 | 5 | 4 | 3 | 2 | 1 | 0 |
| C1MON | C1VRF | C1WDE | C1ENB | C0MON | C0VRF | C0WDE | C0ENB | |
| x | x | x | 0 | x | x | x | 0 | |

Bit 4

| | |
|----------|--|
| C1ENB | Comparator 1 operation enable |
| 0 | Comparator 1 operation disabled |
| 1 | Comparator 1 operation enabled |

Bit 0

| | |
|----------|--|
| C0ENB | Comparator 0 operation enable |
| 0 | Comparator 0 operation disabled |
| 1 | Comparator 0 operation enabled |

Note: For details of register settings, refer to the RL78/G11 User's Manual: Hardware.

Setting comparator interrupt

- Interrupt request flag register (IF2L)
Clears the interrupt request flag.
- Interrupt mask flag register (MK2L)
Disables the interrupt processing.

Symbol: IF2L

| 7 | 6 | 5 | 4 | 3 | 2 | 1 | 0 |
|------|---------|---------|--------|--------|-------|----------|----------|
| FLIF | IICAIF1 | TMKBIF0 | ITIF01 | ITIF00 | DOCIF | CMPIF1 | CMPIF0 |
| x | x | x | x | x | x | 0 | 0 |

Bits 0 and 1

| CMPIF0,1 | Interrupt request flag |
|----------|--|
| 0 | No interrupt request signal is generated |
| 1 | Interrupt request is generated, interrupt request status |

Symbol: MK2L

| 7 | 6 | 5 | 4 | 3 | 2 | 1 | 0 |
|------|---------|---------|--------|--------|-------|----------|----------|
| FLMK | IICAMK1 | TMKBMK0 | ITMK01 | ITMK00 | DOCMK | CMPMK1 | CMPMK0 |
| x | x | x | x | x | x | 1 | 1 |

Bits 4 and 5

| CMPMK0,1 | Interrupt servicing control |
|----------|-------------------------------------|
| 0 | Interrupt servicing enabled |
| 1 | Interrupt servicing disabled |

Setting comparator peripheral reset

- Peripheral reset control register (PRR1)
Controls comparator peripheral resets.

Symbol: PRR1

| 7 | 6 | 5 | 4 | 3 | 2 | 1 | 0 |
|--------|---|------------|---|---|---------|---|---|
| DACRES | 0 | CMPRES | 0 | 0 | PGA0RES | 0 | 0 |
| x | 0 | 0/1 | 0 | 0 | x | 0 | 0 |

Bit 5

| CMPRES | Peripheral reset control on each peripheral hardware |
|----------|--|
| 0 | Peripheral reset release |
| 1 | Peripheral reset state |

Note: For details of register settings, refer to the RL78/G11 User's Manual: Hardware.

5.7.9 Setting Timer Array Unit

Figure 5.10 shows the flowchart for setting the TAU.

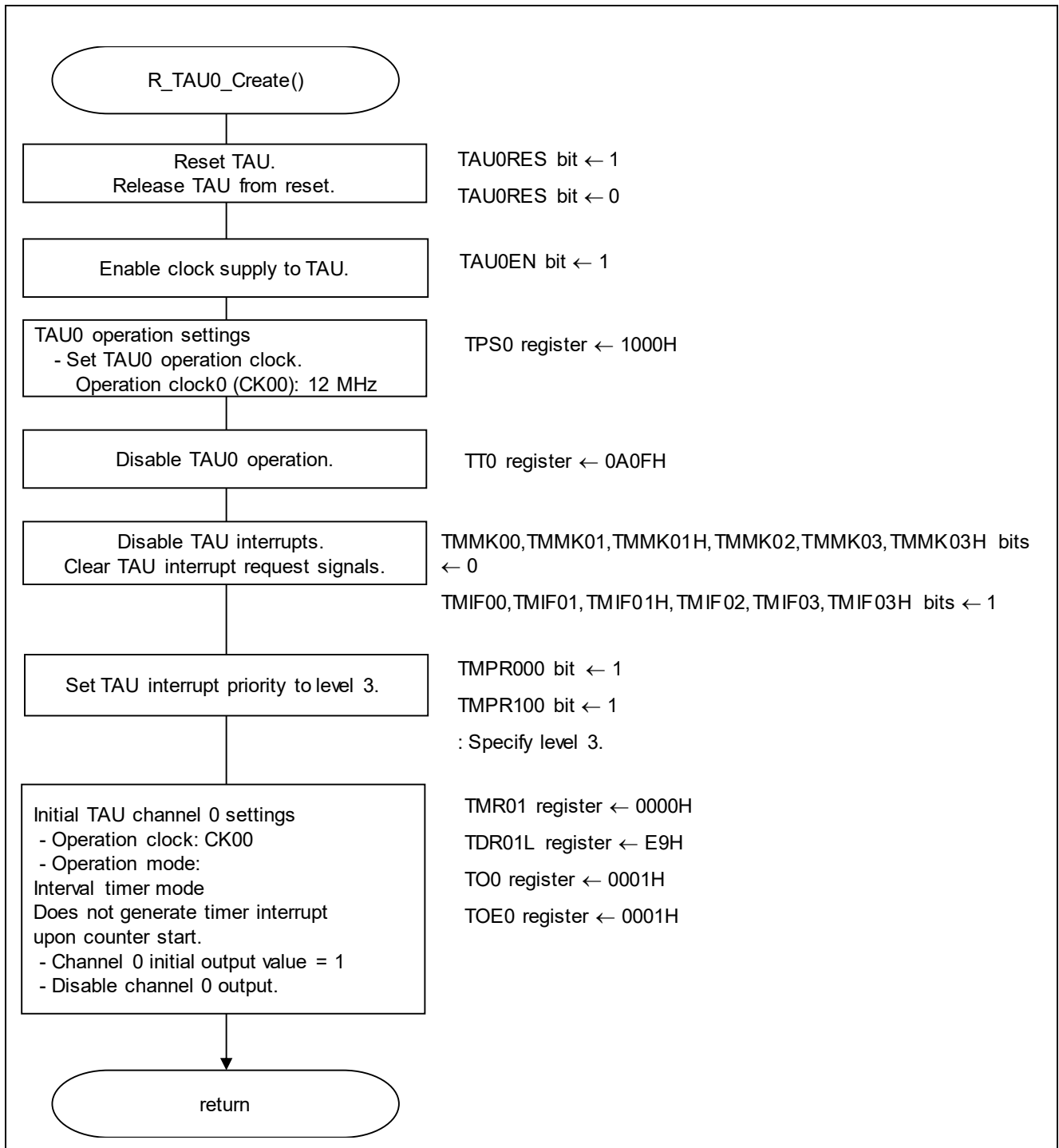


Figure 5.10 Setting Timer Array Unit

Starting clock supply to TAU0

- Peripheral enable register 0 (PER0)
Starts clock supply to TAU0.

Symbol: PER0

| | | | | | | | |
|---|---------|-------|---------|---|--------|---|----------|
| 7 | 6 | 5 | 4 | 3 | 2 | 1 | 0 |
| 0 | IICA1EN | ADCEN | IICA0EN | 0 | SAU0EN | 0 | TAU0EN |
| 0 | x | x | x | 0 | x | 0 | 1 |

Bit 0

| | |
|----------|------------------------------------|
| TAU0EN | Control of TAU0 input clock supply |
| 0 | Stops input clock supply. |
| 1 | Supplies input clock. |

Note: For details of register settings, refer to the RL78/G11 User's Manual: Hardware.

Setting timer clock frequency

- Timer clock select register 0 (TPS0)
Selects the operation clock for TAU0.

Symbol: TPS0

| | | | | | | | | | | | | | | | |
|----|----|------------|------------|----|----|------------|------------|------------|------------|------------|------------|------------|------------|------------|------------|
| 15 | 14 | 13 | 12 | 11 | 10 | 9 | 8 | 7 | 6 | 5 | 4 | 3 | 2 | 1 | 0 |
| 0 | 0 | PRS0 31 | PRS0 30 | 0 | 0 | PRS0 21 | PRS0 20 | PRS0 13 | PRS0 12 | PRS0 11 | PRS0 10 | PRS0 03 | PRS0 02 | PRS0 01 | PRS0 00 |
| x | x | x | x | x | x | x | x | x | x | x | x | 0 | 1 | 1 | 0 |

Bits 3 to 0

| PRS 003 | PRS 002 | PRS 001 | PRS 000 | Operation clock (CK00) selection | | | | | |
|------------|------------|------------|------------|----------------------------------|-------------------|--------------------|--------------------|--------------------|-----------|
| | | | | f_{CLK} 2MHz | f_{CLK} 5MHz | f_{CLK} 10MHz | f_{CLK} 20MHz | f_{CLK} 24MHz | |
| 0 | 0 | 0 | 0 | f_{CLK} | 2 MHz | 5 MHz | 10 MHz | 20 MHz | 24 MHz |
| 0 | 0 | 0 | 1 | $f_{CLK}/2$ | 1 MHz | 2.5 MHz | 5 MHz | 10 MHz | 12 MHz |
| 0 | 0 | 1 | 0 | $f_{CLK}/2^2$ | 500 kHz | 1.25 MHz | 2.5 MHz | 5 MHz | 6 MHz |
| 0 | 0 | 1 | 1 | $f_{CLK}/2^3$ | 250 kHz | 625 kHz | 1.25 MHz | 2.5 MHz | 3 MHz |
| 0 | 1 | 0 | 0 | $f_{CLK}/2^4$ | 125 kHz | 312.5 kHz | 625 kHz | 1.25 MHz | 1.5 MHz |
| 0 | 1 | 0 | 1 | $f_{CLK}/2^5$ | 62.5 kHz | 156.2 kHz | 313kHz | 625 kHz | 750 kHz |
| 0 | 1 | 1 | 0 | $f_{CLK}/2^6$ | 31.25 kHz | 78.1 kHz | 156 kHz | 313 kHz | 375 kHz |
| 0 | 1 | 1 | 1 | $f_{CLK}/2^7$ | 15.62 kHz | 39.1 kHz | 78.1 kHz | 156 kHz | 187.5 kHz |
| 1 | 0 | 0 | 0 | $f_{CLK}/2^8$ | 7.81 kHz | 19.5 kHz | 39.1 kHz | 78.1 kHz | 93.8 kHz |
| 1 | 0 | 0 | 1 | $f_{CLK}/2^9$ | 3.91 kHz | 9.76 kHz | 19.5 kHz | 39.1 kHz | 46.9 kHz |
| 1 | 0 | 1 | 0 | $f_{CLK}/2^{10}$ | 1.95 kHz | 4.88 kHz | 9.77 kHz | 19.5 kHz | 23.4 kHz |
| 1 | 0 | 1 | 1 | $f_{CLK}/2^{11}$ | 976 Hz | 2.44 kHz | 4.88 kHz | 9.77 kHz | 11.7 kHz |
| 1 | 1 | 0 | 0 | $f_{CLK}/2^{12}$ | 488 Hz | 1.22 kHz | 2.44 kHz | 4.88 kHz | 5.86 kHz |
| 1 | 1 | 0 | 1 | $f_{CLK}/2^{13}$ | 244 Hz | 610 Hz | 1.22 kHz | 2.44 kHz | 2.93 kHz |
| 1 | 1 | 1 | 0 | $f_{CLK}/2^{14}$ | 122 Hz | 305 Hz | 610 Hz | 1.22 kHz | 1.46 kHz |
| 1 | 1 | 1 | 1 | $f_{CLK}/2^{15}$ | 61 Hz | 153 Hz | 305 Hz | 610 Hz | 732 Hz |

Note: For details of register settings, refer to the RL78/G11 User's Manual: Hardware.

Setting channel 0 operation mode

- Timer mode register 01 (TMR01)
 - Selects the operation clock (f_{MCK}).
 - Selects the count clock.
 - Sets software trigger start.
 - Sets the operation mode.

Symbol: TMR01

| | | | | | | | | | | | | | | | |
|------------|------------|----|-----------|----|------------|------------|------------|------------|------------|---|---|-----------|-----------|-----------|-----------|
| 15 | 14 | 13 | 12 | 11 | 10 | 9 | 8 | 7 | 6 | 5 | 4 | 3 | 2 | 1 | 0 |
| CKS 011 | CKS 010 | 0 | CCS 01 | 0 | STS 012 | STS 011 | STS 010 | CIS 011 | CIS 010 | 0 | 0 | MD 013 | MD 012 | MD 011 | MD 010 |
| 0 | 0 | 0 | 0 | 0 | 0 | 0 | 0 | 0 | 0 | 0 | 0 | 0 | 0 | 0 | 0 |

Bits 15 and 14

| | | |
|----------|----------|---|
| CKS011 | CKS010 | Selection of operation clock (f_{MCK}) of channel 0 |
| 0 | 0 | Operation clock CK00 set by the timer clock select register 0 (TPS0) |
| 0 | 1 | Operation clock CK02 set by timer clock select register 0 (TPS0) |
| 1 | 0 | Operation clock CK01 set by timer clock select register 0 (TPS0) |
| 1 | 1 | Operation clock CK03 set by timer clock select register 0 (TPS0) |

Bit 12

| | |
|----------|---|
| CCS01 | Selection of count clock (f_{TCLK}) of channel 0 |
| 0 | Operation clock (f_{MCK}) specified by the CKS010 and CKS011 bits |
| 1 | Valid edge of input signal input from the TI01 pin |

Bit 11

| | |
|----------|---|
| SPLIT01 | Selection of 8 or 16-bit timer operation for channel 1 |
| 0 | Operates as 16-bit timer. (Operates in independent channel operation function or as slave channel in simultaneous channel operation function.) |
| 1 | Operates as 8-bit timer. |

Note: For details of register settings, refer to the RL78/G11 User's Manual: Hardware.

Symbol: TMR01

| | | | | | | | | | | | | | | | |
|------------|------------|----|-----------|----|------------|------------|------------|------------|------------|---|---|-----------|-----------|-----------|-----------|
| 15 | 14 | 13 | 12 | 11 | 10 | 9 | 8 | 7 | 6 | 5 | 4 | 3 | 2 | 1 | 0 |
| CKS 011 | CKS 010 | 0 | CCS 01 | 0 | STS 012 | STS 011 | STS 010 | CIS 011 | CIS 010 | 0 | 0 | MD 013 | MD 012 | MD 011 | MD 010 |
| 0 | 0 | 0 | 0 | 0 | 0 | 0 | 0 | 0 | 0 | 0 | 0 | 0 | 0 | 0 | 0 |

Bits 10 to 8

| STS012 | STS011 | STS010 | Setting of start trigger or capture trigger of channel1 |
|------------------|----------|----------|--|
| 0 | 0 | 0 | Only software trigger start is valid (other trigger sources are unselected). |
| 0 | 0 | 1 | Valid edge of the TI01 pin input is used as both the start trigger and capture trigger. |
| 0 | 1 | 0 | Both the edges of the TI01 pin input are used as a start trigger and a capture trigger. |
| 1 | 0 | 0 | Interrupt signal of the master channel is used (when the channel is used as a slave channel with the simultaneous channel operation function). |
| Other than above | | | Setting prohibited |

Bits 7 and 6

| CIS011 | CIS010 | Selection of TI01 pin input valid edge |
|----------|----------|---|
| 0 | 0 | Falling edge |
| 0 | 1 | Rising edge |
| 1 | 0 | Both edges (when low-level width is measured) Start trigger: Falling edge, Capture trigger: Rising edge |
| 1 | 1 | Both edges (when high-level width is measured) Start trigger: Rising edge, Capture trigger: Falling edge |

Note: For details of register settings, refer to the RL78/G11 User's Manual: Hardware.

Symbol: TMR01

| | | | | | | | | | | | | | | | |
|------------|------------|----|-----------|----|------------|------------|------------|------------|------------|---|---|-----------|-----------|-----------|-----------|
| 15 | 14 | 13 | 12 | 11 | 10 | 9 | 8 | 7 | 6 | 5 | 4 | 3 | 2 | 1 | 0 |
| CKS 011 | CKS 010 | 0 | CCS 01 | 0 | STS 012 | STS 011 | STS 010 | CIS 011 | CIS 010 | 0 | 0 | MD 013 | MD 012 | MD 011 | MD 010 |
| 0 | 0 | 0 | 0 | 0 | 0 | 0 | 0 | 0 | 0 | 0 | 0 | 0 | 0 | 0 | 0 |

Bits 3 to 0

| MD 013 | MD 012 | MD 011 | Operation mode of channel 1 | Corresponding function | Count operation of TCR |
|---|-----------|-----------|--------------------------------|---|------------------------|
| 0 | 0 | 0 | Interval timer mode | Interval timer / Square wave output / Divider function / PWM output (master) | Counting down |
| 0 | 1 | 0 | Capture mode | Input pulse interval measurement | Counting up |
| 0 | 1 | 1 | Event counter mode | External event counter | Counting down |
| 1 | 0 | 0 | One-count mode | Delay counter / One-shot pulse output / PWM output (slave) | Counting down |
| 1 | 1 | 0 | Capture & one- count mode | Measurement of high-/low-level width of input signal | Counting up |
| Other than above | | | Setting prohibited | | |
| The operation of each mode varies depending on MD010 bit (see table below). | | | | | |

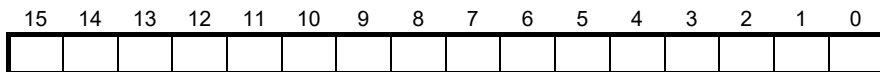
| Operation mode (Value set by the MD003 to MD001 bits (see table above)) | MD010 | Setting of starting counting and interrupt |
|---|----------|--|
| - Interval timer mode (0, 0, 0) - Capture mode (0, 1, 0) | 0 | Timer interrupt is not generated when counting is started (timer output does not change, either). |
| | 1 | Timer interrupt is generated when counting is started (timer output also changes). |
| - Event counter mode (0, 1, 1) | 0 | Timer interrupt is not generated when counting is started (timer output does not change, either). |
| - One-count mode (1, 0, 0) | 0 | Start trigger is invalid during counting operation. At that time, interrupt is not generated. |
| | 1 | Start trigger is valid during counting operation At that time, interrupt is generated. |
| - Capture & one-count mode (1, 1, 0) | 0 | Timer interrupt is not generated when counting is started (timer output does not change, either). Start trigger is invalid during counting operation. At that time, interrupt is not generated. |

Note: For details of register settings, refer to the RL78/G11 User's Manual: Hardware.

Setting interval timer period

- Timer data register 01 (TDR01)
Sets the interval timer compare value.

Symbol: TDR01



Timer interrupt (INTTM01) generation timing = (Set value of TDR01 + 1) x Count clock period

Enabling timer output

- Timer output enable register 0 (TOE0)
Enables/disables timer output of each channel

Symbol: TOE0

| | | | | | | | | | | | | | | | |
|----|----|----|----|----|----|---|---|-------|-------|-------|-------|-------|-------|----------|-------|
| 15 | 14 | 13 | 12 | 11 | 10 | 9 | 8 | 7 | 6 | 5 | 4 | 3 | 2 | 1 | 0 |
| 0 | 0 | 0 | 0 | 0 | 0 | 0 | 0 | TOE07 | TOE06 | TOE05 | TOE04 | TOE03 | TOE02 | TOE01 | TOE00 |
| 0 | 0 | 0 | 0 | 0 | 0 | 0 | 0 | x | x | x | x | x | x | 1 | x |

Bit 1

| TOE01 | Timer output enable/disable of channel 0 |
|-------|---|
| 0 | Timer output is disabled. Timer operation is not applied to the TO01 bit and the output is fixed. Writing to the TO01 bit is enabled and the level set in the TO01 bit is output from the TO01 pin. |
| 1 | Timer output is enabled. Timer operation is applied to the TO01 bit and an output waveform is generated. Writing to the TO01 bit is ignored. |

Note: For details of register settings, refer to the RL78/G11 User's Manual: Hardware.

5.7.10 Setting Interrupts

Figure 5.11 shows the flowchart for initial setting of the interrupts.

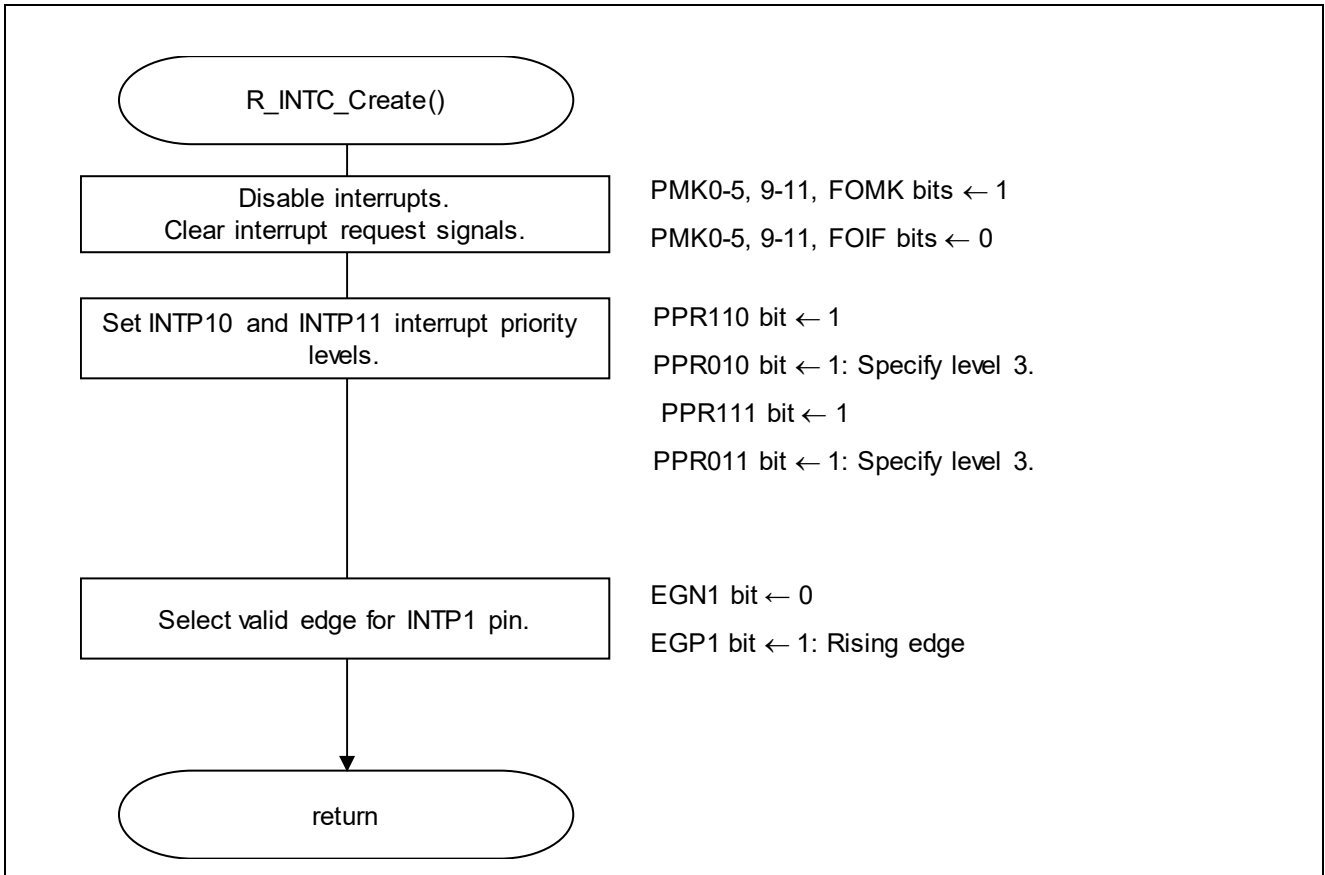


Figure 5.11 Setting Interrupts

Setting interrupt edge

- External interrupt rising edge enable register (EGP0)
- External interrupt falling edge enable register (EGN0)
Selects the valid edge.

Symbol: EGP0

| | | | | | | | |
|------|------|------|------|------|------|----------|------|
| 7 | 6 | 5 | 4 | 3 | 2 | 1 | 0 |
| EGP7 | EGP6 | EGP5 | EGP4 | EGP3 | EGP2 | EGP1 | EGP0 |
| 0 | 0 | 0 | 0 | 0 | 0 | 1 | 0 |

Symbol: EGN0

| | | | | | | | |
|------|------|------|------|------|------|----------|------|
| 7 | 6 | 5 | 4 | 3 | 2 | 1 | 0 |
| EGN7 | EGN6 | EGN5 | EGN4 | EGN3 | EGN2 | EGN1 | EGN0 |
| 0 | 0 | 0 | 0 | 0 | 0 | 0 | 0 |

| EGPn | EGNn | INTPn pin valid edge selection (n = 0 to 11) |
|----------|----------|--|
| 0 | 0 | Edge detection disabled |
| 0 | 1 | Falling edge |
| 1 | 0 | Rising edge |
| 1 | 1 | Both rising and falling edges |

Note: For details of register settings, refer to the RL78/G11 User's Manual: Hardware.

5.7.11 Main Function

Figure 5.12 shows the flowchart for the main function.

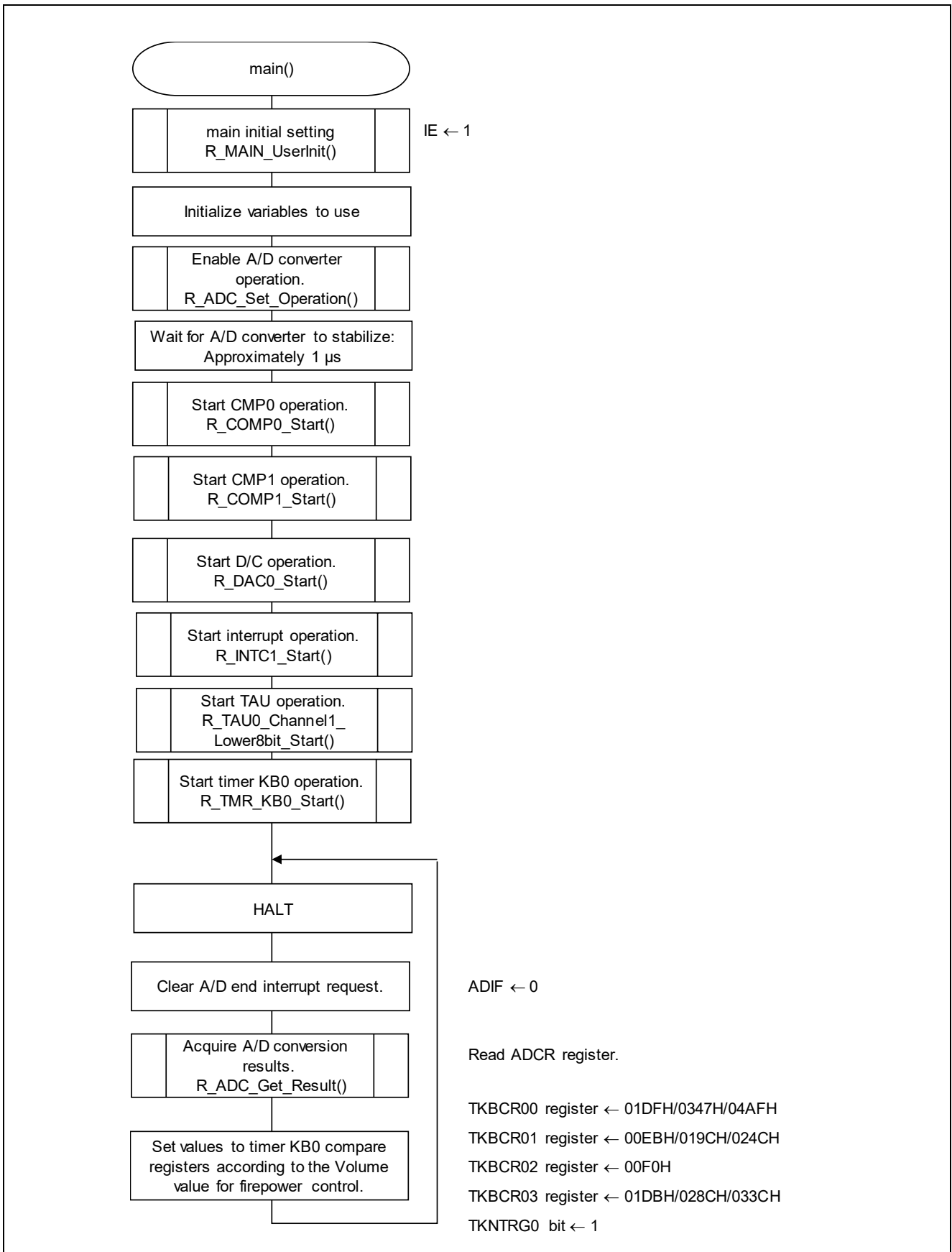


Figure 5.12 main Function

5.7.12 Initial Setting of main

Figure 5.13 shows the flowchart for initial setting of the main.

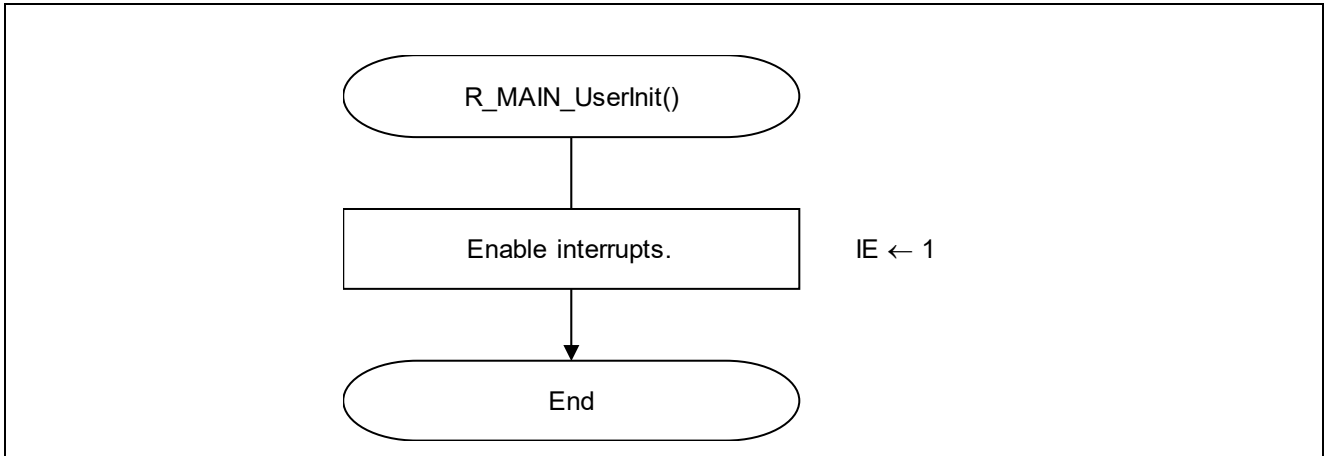


Figure 5.13 Initial Setting of main

5.7.13 Starting Comparator 0 Operation

Figure 5.14 shows the flowchart for starting comparator 0 operation.

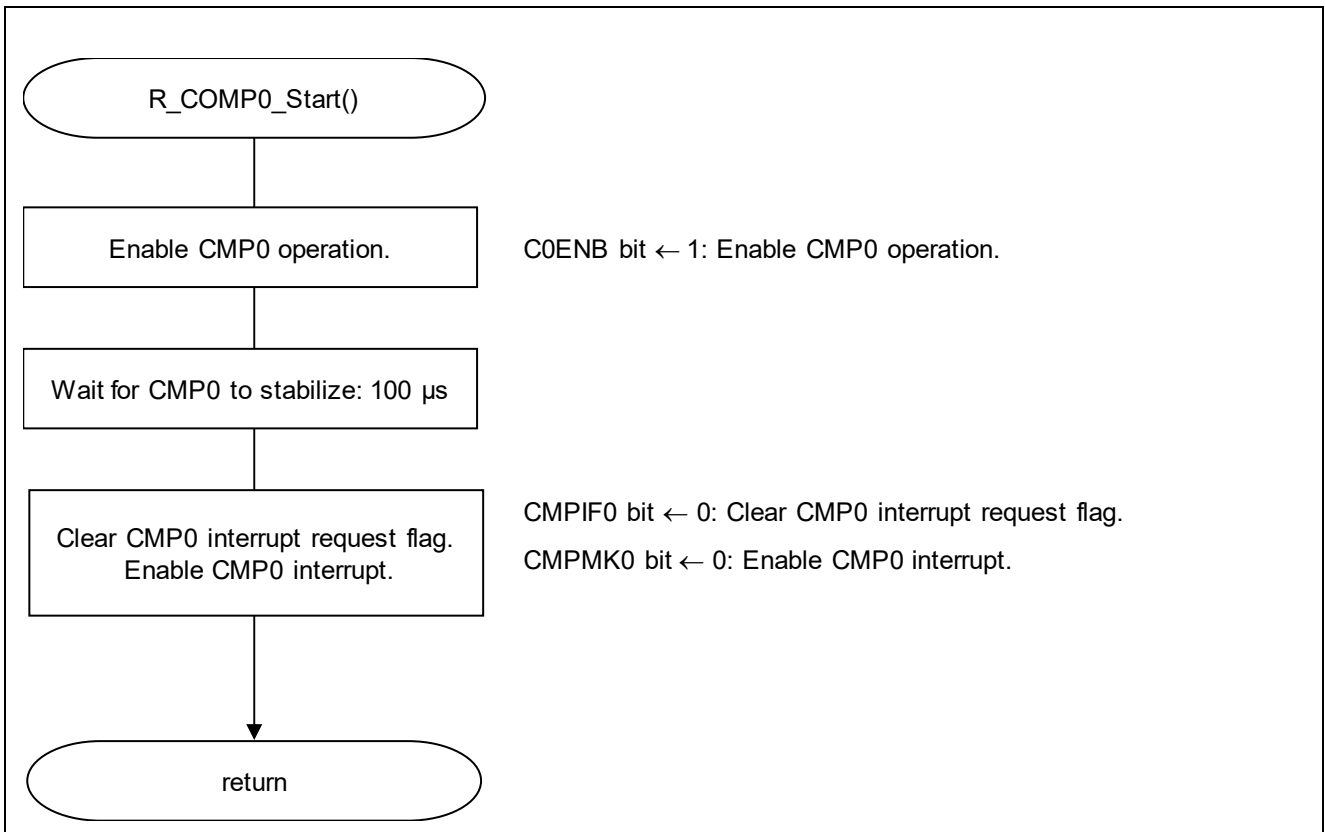


Figure 5.14 Starting Comparator 0 Operation

5.7.14 Starting Comparator 1 Operation

Figure 5.15 shows the flowchart for starting comparator 1 operation.

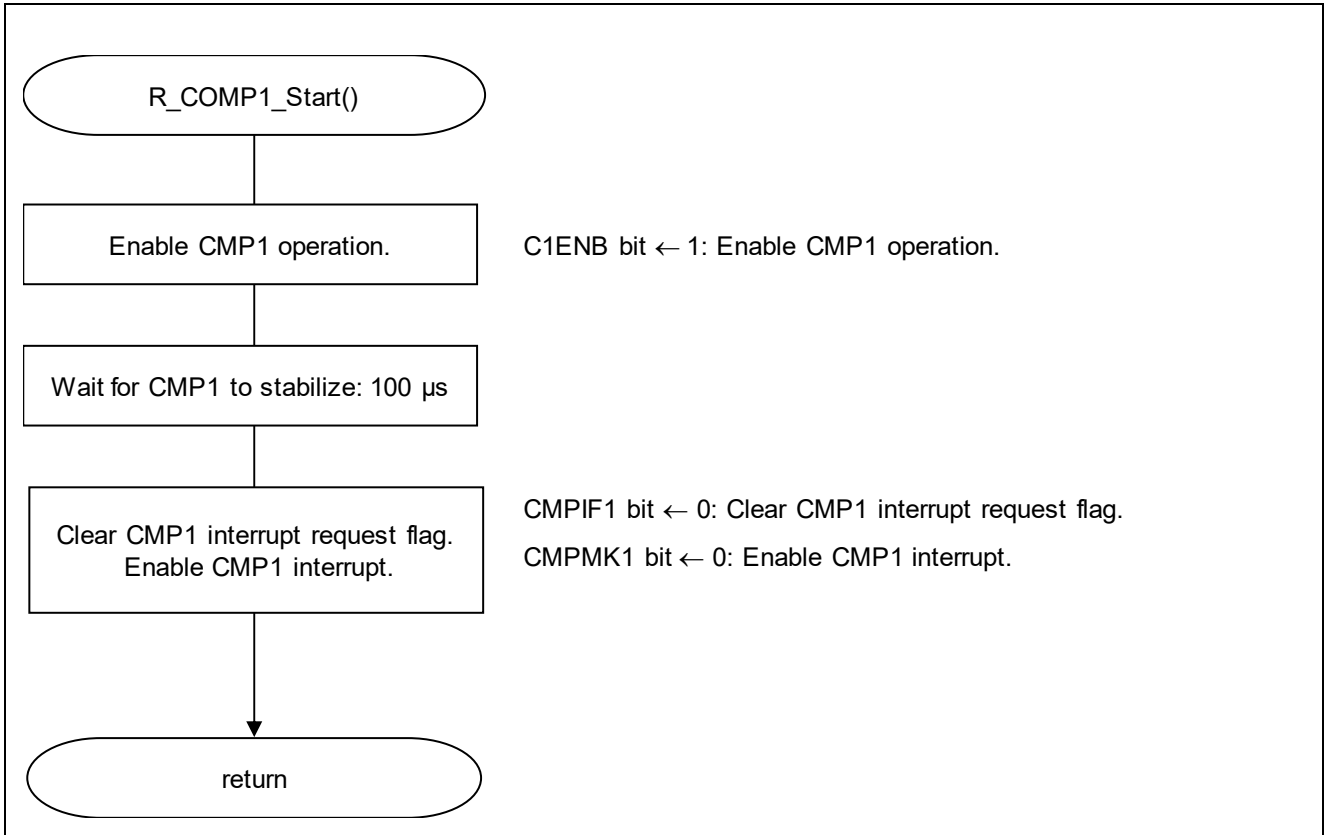


Figure 5.15 Starting Comparator 1 Operation

5.7.15 Starting D/A Converter Operation

Figure 5.16 shows the flowchart for starting D/A converter operation.

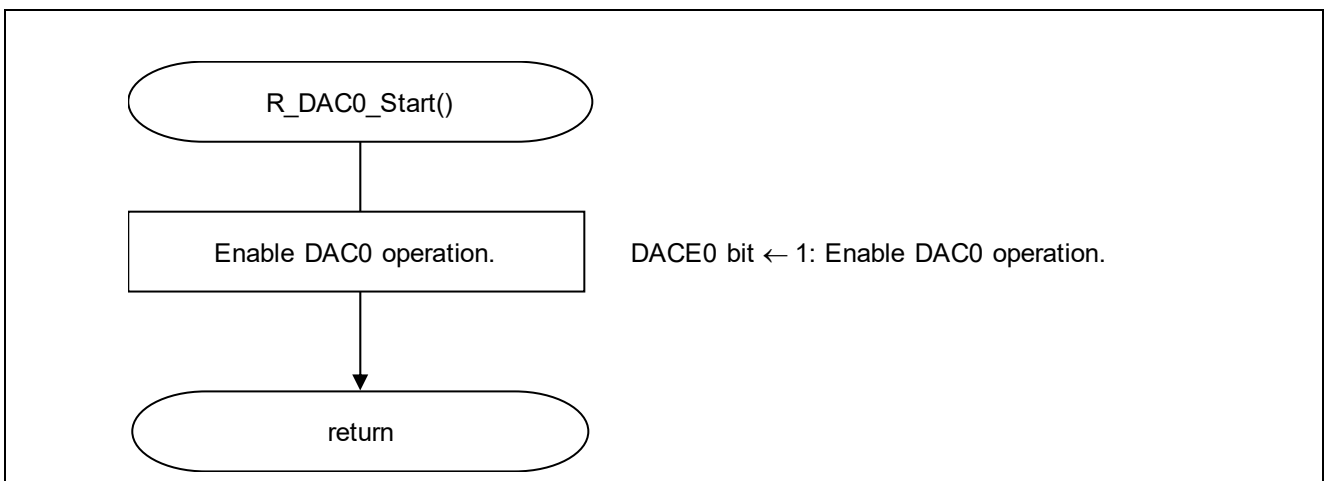


Figure 5.16 Starting D/A Converter Operation

5.7.16 Starting Interrupt Operation

Figure 5.17 shows the flowchart for starting interrupt operation.

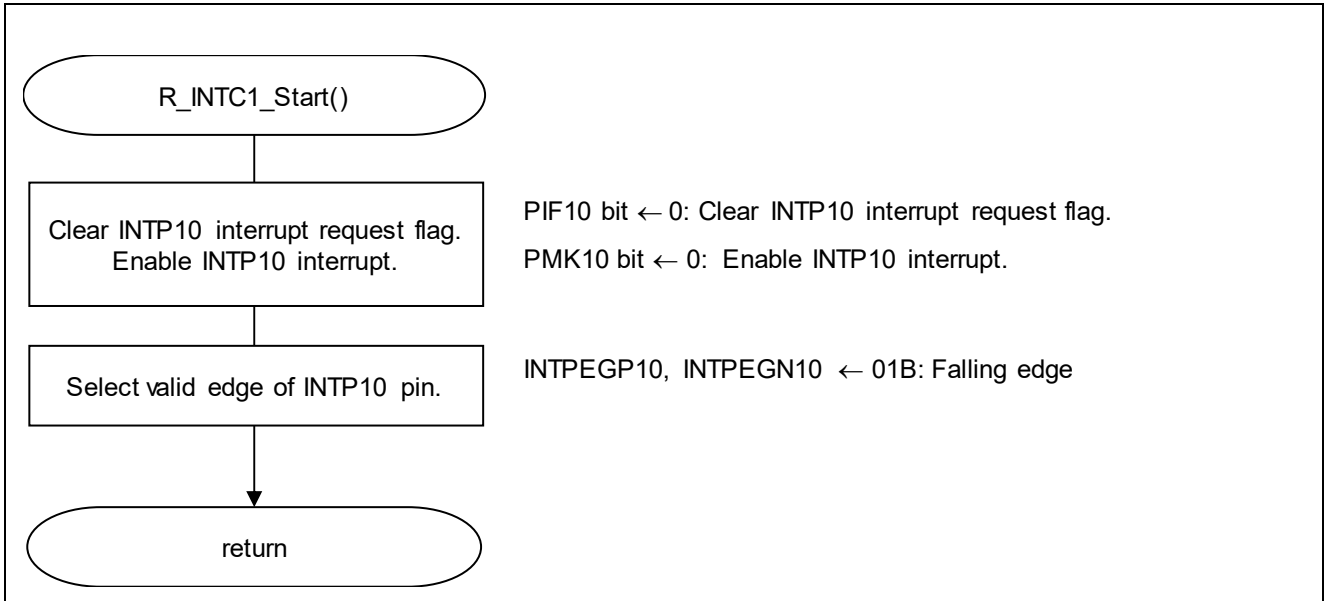


Figure 5.17 Starting Interrupt Operation

5.7.17 Starting TAU Operation

Figure 5.18 shows the flowchart for starting TAU operation.

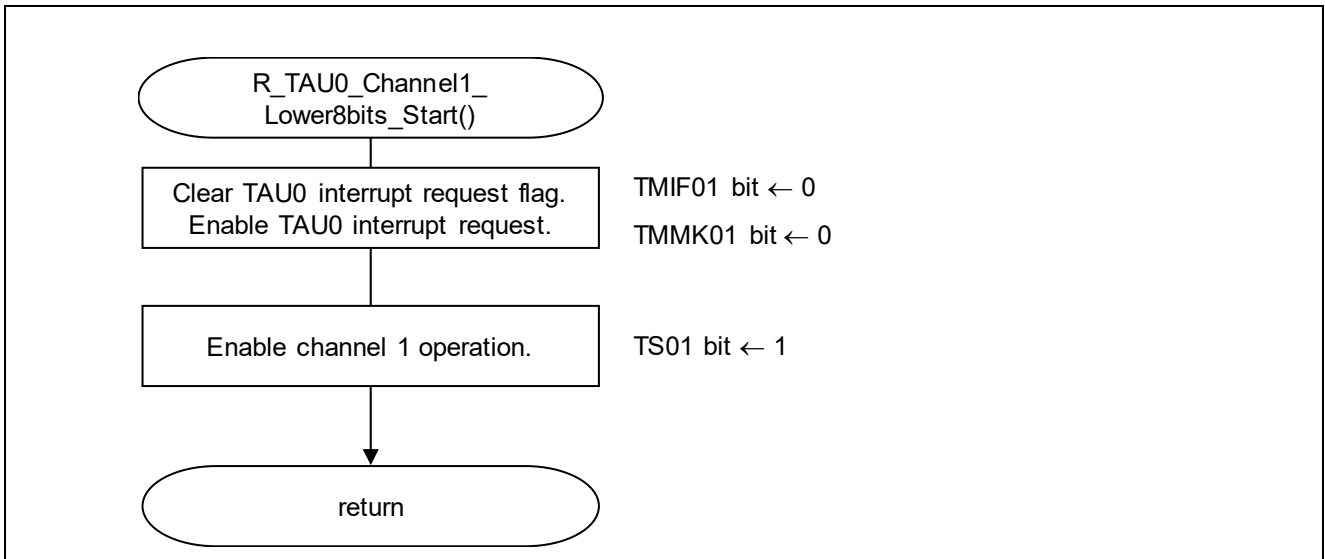


Figure 5.18 Starting TAU Operation

5.7.18 Starting Timer KB0 Operation

Figure 5.19 shows the flowchart for starting timer KB0 operation.

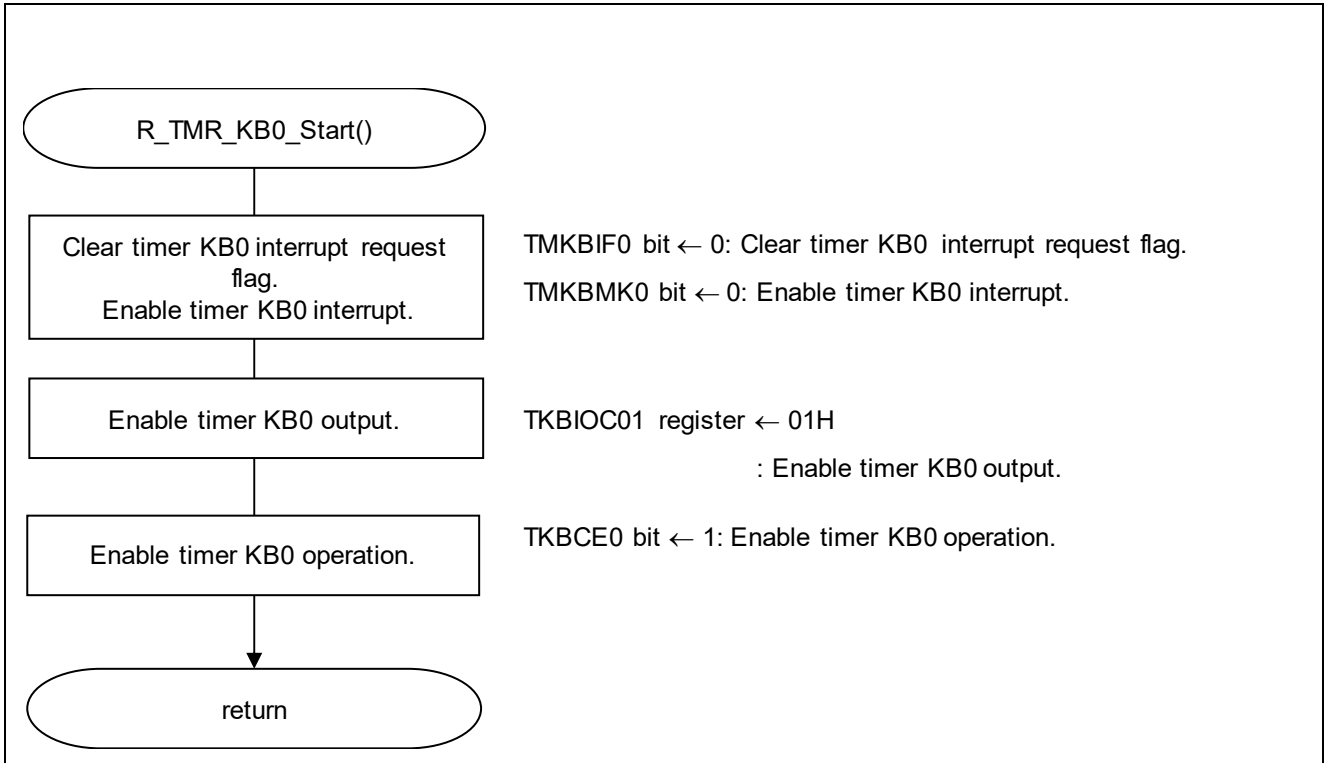


Figure 5.19 Starting Timer KB0 Operation

5.7.19 Enabling A/D Converter Operation

Figure 5.20 shows the flowchart for enabling A/D converter operation.

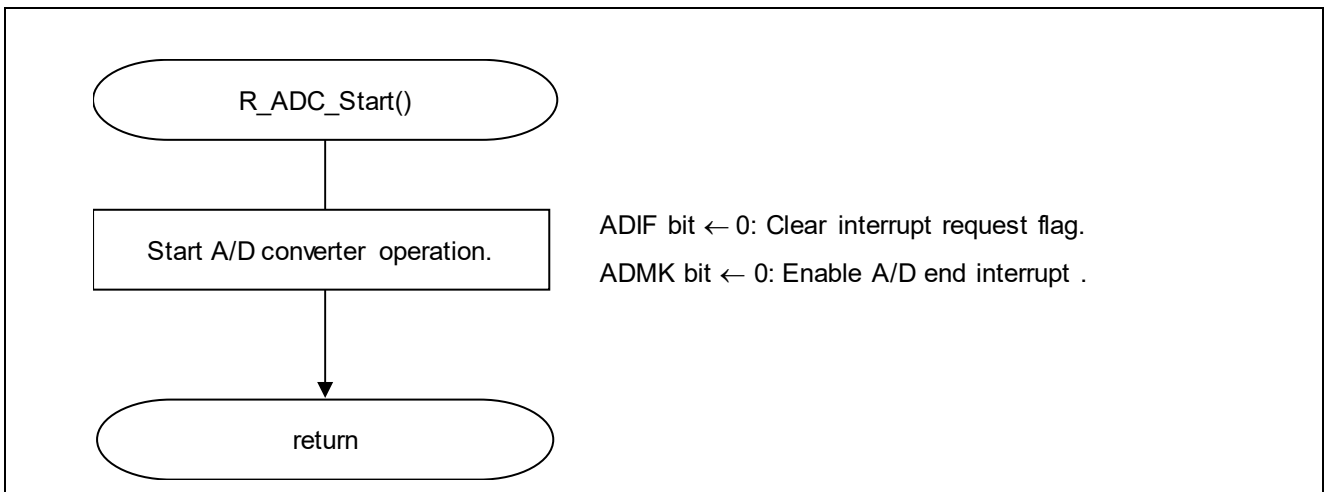


Figure 5.20 Enabling A/D Converter Operation

5.7.20 Starting A/D Conversion Trigger Wait

Figure 5.21 shows the flowchart for starting A/D conversion trigger wait.

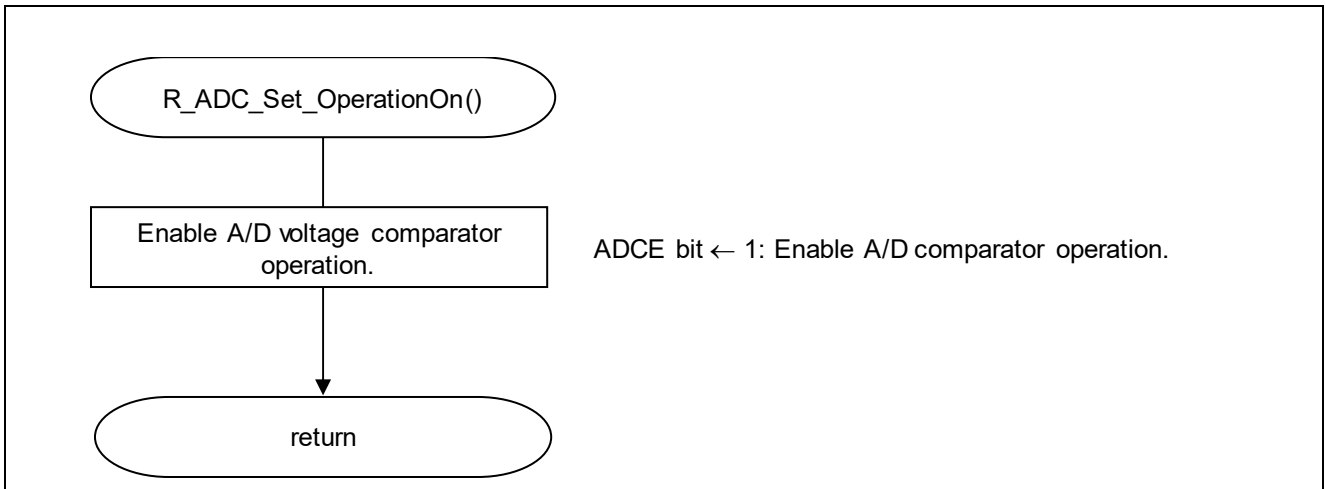


Figure 5.21 Starting A/D Conversion Trigger Wait

5.7.21 Processing TAU Operation End Interrupt

Figure 5.22 shows the flowchart for processing TAU operation end interrupt.

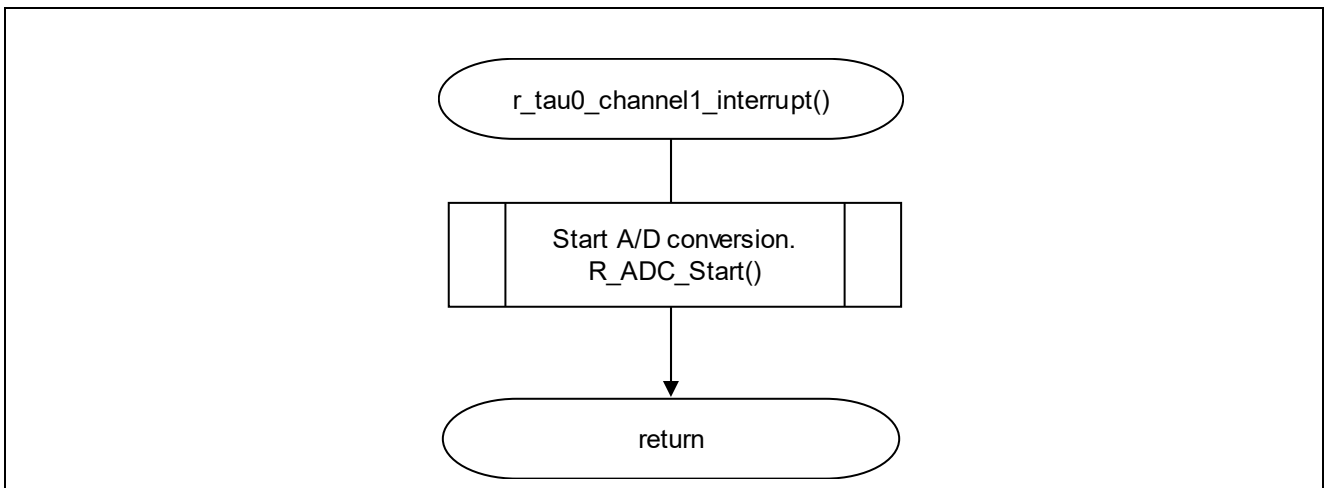


Figure 5.22 Processing TAU Operation End Interrupt

6. Sample Code

The user can get the sample code from the Renesas Electronics website.

7. Reference Documents

RL78/G11 User's Manual: Hardware (R01UH0637E)

RL78 Family User's Manual: Software (R01US0015E)

(Get the latest version from the Renesas Electronics website.)

Technical Updates/Technical News

(Get the latest information from the Renesas Electronics website.)

Website and Support

Renesas Electronics Website

<https://www.renesas.com/en-us/>

Inquiries

<https://www.renesas.com/en-us/support/contact.html>

| | |
|-------------------------|---|
| REVISION HISTORY | RL78/G11 IH Control using Timer KB0 CC-RL |
|-------------------------|---|

| Rev. | Date | Revision Contents | |
|------|---------------|-------------------|-----------------------|
| | | Page | Description |
| 1.00 | Mar. 24, 2017 | — | First edition issued. |
| 1.10 | Apr. 07, 2017 | 4, 7 | Fixed typo. |
| 1.20 | Jan. 31, 2019 | 37 | Fixed typo. |

General Precautions in the Handling of Microprocessing Unit and Microcontroller Unit Products

The following usage notes are applicable to all Microprocessing unit and Microcontroller unit products from Renesas. For detailed usage notes on the products covered by this document, refer to the relevant sections of the document as well as any technical updates that have been issued for the products.

1. Precaution against Electrostatic Discharge (ESD)

A strong electrical field, when exposed to a CMOS device, can cause destruction of the gate oxide and ultimately degrade the device operation. Steps must be taken to stop the generation of static electricity as much as possible, and quickly dissipate it when it occurs. Environmental control must be adequate. When it is dry, a humidifier should be used. This is recommended to avoid using insulators that can easily build up static electricity. Semiconductor devices must be stored and transported in an anti-static container, static shielding bag or conductive material. All test and measurement tools including work benches and floors must be grounded. The operator must also be grounded using a wrist strap. Semiconductor devices must not be touched with bare hands. Similar precautions must be taken for printed circuit boards with mounted semiconductor devices.

2. Processing at power-on

The state of the product is undefined at the time when power is supplied. The states of internal circuits in the LSI are indeterminate and the states of register settings and pins are undefined at the time when power is supplied. In a finished product where the reset signal is applied to the external reset pin, the states of pins are not guaranteed from the time when power is supplied until the reset process is completed. In a similar way, the states of pins in a product that is reset by an on-chip power-on reset function are not guaranteed from the time when power is supplied until the power reaches the level at which resetting is specified.

3. Input of signal during power-off state

Do not input signals or an I/O pull-up power supply while the device is powered off. The current injection that results from input of such a signal or I/O pull-up power supply may cause malfunction and the abnormal current that passes in the device at this time may cause degradation of internal elements. Follow the guideline for input signal during power-off state as described in your product documentation.

4. Handling of unused pins

Handle unused pins in accordance with the directions given under handling of unused pins in the manual. The input pins of CMOS products are generally in the high-impedance state. In operation with an unused pin in the open-circuit state, extra electromagnetic noise is induced in the vicinity of the LSI, an associated shoot-through current flows internally, and malfunctions occur due to the false recognition of the pin state as an input signal become possible.

5. Clock signals

After applying a reset, only release the reset line after the operating clock signal becomes stable. When switching the clock signal during program execution, wait until the target clock signal is stabilized. When the clock signal is generated with an external resonator or from an external oscillator during a reset, ensure that the reset line is only released after full stabilization of the clock signal. Additionally, when switching to a clock signal produced with an external resonator or by an external oscillator while program execution is in progress, wait until the target clock signal is stable.

6. Voltage application waveform at input pin

Waveform distortion due to input noise or a reflected wave may cause malfunction. If the input of the CMOS device stays in the area between V_{IL} (Max.) and V_{IH} (Min.) due to noise, for example, the device may malfunction. Take care to prevent chattering noise from entering the device when the input level is fixed, and also in the transition period when the input level passes through the area between V_{IL} (Max.) and V_{IH} (Min.).

7. Prohibition of access to reserved addresses

Access to reserved addresses is prohibited. The reserved addresses are provided for possible future expansion of functions. Do not access these addresses as the correct operation of the LSI is not guaranteed.

8. Differences between products

Before changing from one product to another, for example to a product with a different part number, confirm that the change will not lead to problems. The characteristics of a microprocessing unit or microcontroller unit products in the same group but having a different part number might differ in terms of internal memory capacity, layout pattern, and other factors, which can affect the ranges of electrical characteristics, such as characteristic values, operating margins, immunity to noise, and amount of radiated noise. When changing to a product with a different part number, implement a system-evaluation test for the given product.

Notice

1. Descriptions of circuits, software and other related information in this document are provided only to illustrate the operation of semiconductor products and application examples. You are fully responsible for the incorporation or any other use of the circuits, software, and information in the design of your product or system. Renesas Electronics disclaims any and all liability for any losses and damages incurred by you or third parties arising from the use of these circuits, software, or information.
2. Renesas Electronics hereby expressly disclaims any warranties against and liability for infringement or any other claims involving patents, copyrights, or other intellectual property rights of third parties, by or arising from the use of Renesas Electronics products or technical information described in this document, including but not limited to, the product data, drawings, charts, programs, algorithms, and application examples.
3. No license, express, implied or otherwise, is granted hereby under any patents, copyrights or other intellectual property rights of Renesas Electronics or others.
4. You shall not alter, modify, copy, or reverse engineer any Renesas Electronics product, whether in whole or in part. Renesas Electronics disclaims any and all liability for any losses or damages incurred by you or third parties arising from such alteration, modification, copying or reverse engineering.
5. Renesas Electronics products are classified according to the following two quality grades: "Standard" and "High Quality". The intended applications for each Renesas Electronics product depends on the product's quality grade, as indicated below.
 - "Standard": Computers; office equipment; communications equipment; test and measurement equipment; audio and visual equipment; home electronic appliances; machine tools; personal electronic equipment; industrial robots; etc.
 - "High Quality": Transportation equipment (automobiles, trains, ships, etc.); traffic control (traffic lights); large-scale communication equipment; key financial terminal systems; safety control equipment; etc.Unless expressly designated as a high reliability product or a product for harsh environments in a Renesas Electronics data sheet or other Renesas Electronics document, Renesas Electronics products are not intended or authorized for use in products or systems that may pose a direct threat to human life or bodily injury (artificial life support devices or systems; surgical implantations; etc.), or may cause serious property damage (space system; undersea repeaters; nuclear power control systems; aircraft control systems; key plant systems; military equipment; etc.). Renesas Electronics disclaims any and all liability for any damages or losses incurred by you or any third parties arising from the use of any Renesas Electronics product that is inconsistent with any Renesas Electronics data sheet, user's manual or other Renesas Electronics document.
6. When using Renesas Electronics products, refer to the latest product information (data sheets, user's manuals, application notes, "General Notes for Handling and Using Semiconductor Devices" in the reliability handbook, etc.), and ensure that usage conditions are within the ranges specified by Renesas Electronics with respect to maximum ratings, operating power supply voltage range, heat dissipation characteristics, installation, etc. Renesas Electronics disclaims any and all liability for any malfunctions, failure or accident arising out of the use of Renesas Electronics products outside of such specified ranges.
7. Although Renesas Electronics endeavors to improve the quality and reliability of Renesas Electronics products, semiconductor products have specific characteristics, such as the occurrence of failure at a certain rate and malfunctions under certain use conditions. Unless designated as a high reliability product or a product for harsh environments in a Renesas Electronics data sheet or other Renesas Electronics document, Renesas Electronics products are not subject to radiation resistance design. You are responsible for implementing safety measures to guard against the possibility of bodily injury, injury or damage caused by fire, and/or danger to the public in the event of a failure or malfunction of Renesas Electronics products, such as safety design for hardware and software, including but not limited to redundancy, fire control and malfunction prevention, appropriate treatment for aging degradation or any other appropriate measures. Because the evaluation of microcomputer software alone is very difficult and impractical, you are responsible for evaluating the safety of the final products or systems manufactured by you.
8. Please contact a Renesas Electronics sales office for details as to environmental matters such as the environmental compatibility of each Renesas Electronics product. You are responsible for carefully and sufficiently investigating applicable laws and regulations that regulate the inclusion or use of controlled substances, including without limitation, the EU RoHS Directive, and using Renesas Electronics products in compliance with all these applicable laws and regulations. Renesas Electronics disclaims any and all liability for damages or losses occurring as a result of your noncompliance with applicable laws and regulations.
9. Renesas Electronics products and technologies shall not be used for or incorporated into any products or systems whose manufacture, use, or sale is prohibited under any applicable domestic or foreign laws or regulations. You shall comply with any applicable export control laws and regulations promulgated and administered by the governments of any countries asserting jurisdiction over the parties or transactions.
10. It is the responsibility of the buyer or distributor of Renesas Electronics products, or any other party who distributes, disposes of, or otherwise sells or transfers the product to a third party, to notify such third party in advance of the contents and conditions set forth in this document.
11. This document shall not be reprinted, reproduced or duplicated in any form, in whole or in part, without prior written consent of Renesas Electronics.
12. Please contact a Renesas Electronics sales office if you have any questions regarding the information contained in this document or Renesas Electronics products.

(Note1) "Renesas Electronics" as used in this document means Renesas Electronics Corporation and also includes its directly or indirectly controlled subsidiaries.

(Note2) "Renesas Electronics product(s)" means any product developed or manufactured by or for Renesas Electronics.

(Rev.4.0-1 November 2017)

Corporate Headquarters

TOYOSU FORESIA, 3-2-24 Toyosu,
Koto-ku, Tokyo 135-0061, Japan
www.renesas.com

Contact information

For further information on a product, technology, the most up-to-date version of a document, or your nearest sales office, please visit:
www.renesas.com/contact/.

Trademarks

Renesas and the Renesas logo are trademarks of Renesas Electronics Corporation. All trademarks and registered trademarks are the property of their respective owners.