

Reference Design using the HC5503PRC SLIC and the Texas Instruments TP3057A Combined PCM CODEC and Filter

The network requirements of many countries require the Analog Subscriber Line Circuit (SLIC) to terminate the subscriber line with an impedance for voiceband frequencies which is complex, rather than resistive (e.g., 600Ω). This requires that the physical resistance that is situated between the SLIC and the subscriber line, comprised of protection and/or sensing resistors, and the output resistance of the SLIC itself, be adapted to present an impedance to the subscriber line that varies with frequency. This is accomplished using feedback around the SLIC.

The purpose of this application note is to show a means of accomplishing this task for the HC5503PRC and Texas Instruments TP3057A Combo.

Discussed in this application note is the following:

- 2-wire 600Ω impedance matching
- 2-wire complex impedance matching
- Receive gain (4-wire to 2-wire) and transmit gain (2-wire to 4-wire) calculations
- Transhybrid balance calculations
- Reference design for 600Ω 2-wire load
- Reference design for China complex 2-wire load

Impedance Matching

Impedance matching of the HC5503PRC to the subscriber load is important for optimization of 2 wire return loss, which in turn cuts down on echoes in the end to end voice communication path. It is also important for maintaining voice signal levels on long loops. Consider the equivalent circuit shown in Figure 1.

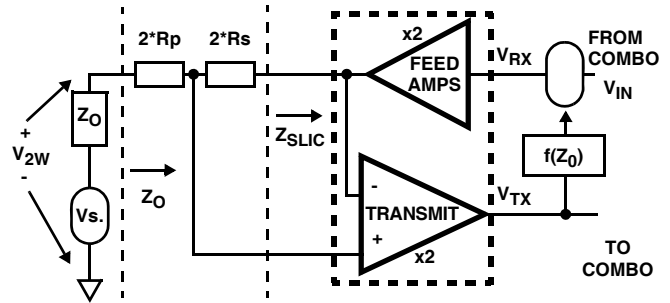


FIGURE 1. IMPEDANCE MATCHING BLOCK DIAGRAM

The circuitry inside the dotted box is representative of the SLIC feed and transmit amplifiers. The feed and transmit amplifiers pass the voice signals in the receive and transmit directions respectively. Without the feedback block $f(Z_0)$, the termination resistance at V_{2W} would equal the two protection resistors (R_P) and the two sense resistors (R_S), as the feed amplifiers present a very low output impedance to the subscriber line. The desired termination impedance at V_{2W} is Z_0 . The feedback block $f(Z_0)$ matches the SLICs output impedance (Z_{SLIC}) plus the two protection resistors (R_P) and the two sense resistors (R_S) to the load (Z_0).

Impedance matching of the HC5503PRC is accomplished by making the SLIC's impedance (Z_{SLIC} , Figure 2) equal to the desired terminating impedance Z_0 , minus the value of the protection and sense resistors. The desired impedance at the input to the SLIC is given in Equation 1.

$$Z_{SLIC} = Z_0 - 2 \times R_P - 2 \times R_S \tag{EQ. 1}$$

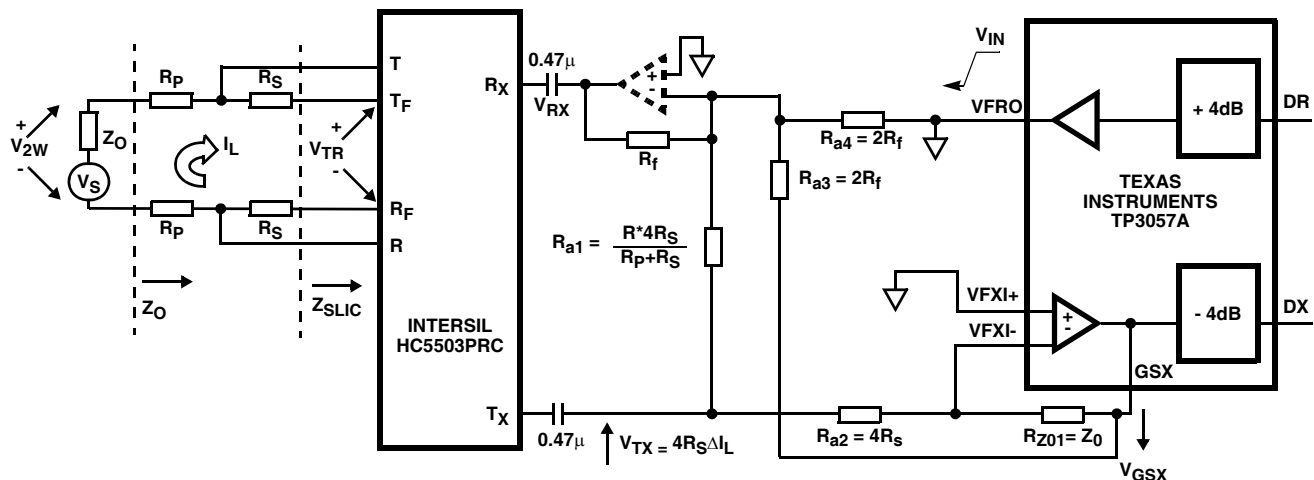


FIGURE 2. IMPEDANCE MATCHING

The AC loop current required to satisfy this condition is given in Equation 2.

$$\Delta I_L = \frac{V_{TR}}{(Z_0 - 2 \times R_P - 2 \times R_S)} \text{ at matching} \quad (\text{EQ. 2})$$

The current calculated in Equation 2 is used as feedback to match the impedance of the SLIC and both protection and sense resistors to the load Z_0 .

The output voltage of the SLIC (V_{TX}) is defined by design and given in Equation 3.

$$V_{TX} = 4R_S \Delta I_L \quad (\text{EQ. 3})$$

Substituting for ΔI_L from Equation 2 into Equation 3 results in the voltage at the V_{TX} output that will be used to generate the required feedback.

$$V_{TX} = \frac{4R_S \times V_{TR}}{(Z_0 - 2 \times R_P - 2 \times R_S)} \quad (\text{EQ. 4})$$

By design, V_{TR} is equal to 2 times the voltage at the receive input (R_X) Figure 2.

$$V_{TR} = 2 \times V_{RX} \quad (\text{EQ. 5})$$

Substituting Equation 5 into Equation 4.

$$V_{TX} = \frac{4R_S \times 2 \times V_{RX}}{(Z_0 - 2 \times R_P - 2 \times R_S)} \quad (\text{EQ. 6})$$

Solving Equation 6 for the voltage at V_{RX} as a function of V_{TX} (when matching the Z_{SLIC} , the two protection resistors (R_P) and the two sense resistors (R_S) to the load Z_0) is given in Equation 7.

$$\frac{V_{RX}}{V_{TX}} = \frac{(Z_0 - 2 \times R_P - 2 \times R_S)}{8 \times R_S} \quad (\text{EQ. 7})$$

Equation 7 is the gain of the feedback circuit (output/input = V_{RX}/V_{TX}) used to match the impedance of the SLIC and both protection and sense resistors. Note: In Equation 7 it seemed logical to simplify the numerator by trying to combine Z_0 and the two subsequent terms together. In practice however, the impedance of the network you want to match (Z_0) cannot easily have $2 \times R_P$ and $2 \times R_S$ subtracted from it since the sum of these resistors is often larger than the value of the series resistance of the complex network.

Equation 7 is therefore rewritten in Equation 8.

$$\frac{V_{RX}}{V_{TX}} = \frac{Z_0}{8 \times R_S} - \frac{2 \times (R_P + R_S)}{8 \times R_S} \quad (\text{EQ. 8})$$

Analysis of Equation 8 yields a 2 op amp feedback network. The first term has Z_0 and no phase inversion. This requires the path to flow through 2 op amps and makes the matching of different complex loads easy. (i.e., can set Z_0 in feedback network equal to the Z_0 you want to match). The second term has a phase inversion and requires only one op amp in the feedback path.

Figure 2 shows the circuit required to achieve matching of the SLIC's impedance to the load Z_0 . The voltage at V_{RX} is a function of V_{TX} , V_{GSX} ($V_{TX}R_{ZO1}/R_{a2}$) and V_{IN} .

The voltage at V_{RX} is determined via superposition. The circuit equation for the feedback network is given in Equation 9.

$$V_{RX} = -V_{TX} \frac{R_f}{R_{a1}} + \frac{V_{TX} R_{ZO1} R_f}{R_{a2} R_{a3}} - \frac{V_{IN} R_f}{R_{a4}} \quad (\text{EQ. 9})$$

For impedance matching of the two wire side, we set V_{IN} equal to zero. This reduces Equation 9 to that shown in Equation 10.

$$V_{RX} = -V_{TX} \frac{R_f}{R_{a1}} + \frac{V_{TX} R_{ZO1} R_f}{R_{a2} R_{a3}} \quad (\text{EQ. 10})$$

To achieve the desired matching of the circuit to the line impedance Z_0 , we set our design Equation 8 equal to our circuit Equation 10. By inspection of the correct phase in Equations 8 and 10, we have Equations 11 and 12.

$$\frac{Z_0}{8 \times R_S} = \frac{R_{ZO1} R_f}{R_{a2} R_{a3}} \quad (\text{EQ. 11})$$

$$\frac{2 \times (R_P + R_S)}{8 \times R_S} = \frac{R_f}{R_{a1}} \quad (\text{EQ. 12})$$

Given: $R_f = R$, $R_{a3} = 2R$, $R_{ZO1} = Z_0$ Note: by making $R_{a3} = 2R_f$, the value of R_{a2} becomes $4R_S$ (Equation 13). This results in the 2-wire to 4-wire gain being equal to 1 (Equation 24 and Equation 25)

From Equation 11.

$$R_{a2} = 4R_S \quad (\text{EQ. 13})$$

From Equation 12.

$$R_{a1} = \frac{R \times 4R_S}{R_P + R_S} \quad (\text{EQ. 14})$$

Receive Gain (V_{IN} to V_{2W})

4-wire to 2-wire gain is equal to the V_{2W} divided by the input voltage V_{IN} , reference Figure 3. The gains through the CODEC are not considered at this point.

$$A_{4W-2W} = \frac{V_{2W}}{V_{IN}} \quad (\text{EQ. 15})$$

The 2-wire voltage V_{2W} is determined by a loop equation and is given in Equation 16.

$$V_{2W} = (2R_P + 2R_S)\Delta I_L + V_{TR} \quad (\text{EQ. 16})$$

Combining Equation 5 and Equation 9, gives an expression for V_{TR} in terms of V_{RX} , as shown in Equation 17.

$$V_{TR} = 2V_{RX} = 2\left(-V_{TX}\frac{R_f}{R_{a1}} + \frac{V_{TX}R_{Z01}R_f}{R_{a2}R_{a3}} - \frac{V_{IN}R_f}{R_{a4}}\right) \quad (\text{EQ. 17})$$

The voltage at V_{TR} is therefore a function of V_{TX} and V_{IN} . Note: Contribution from V_{GSX} (middle term in Equation 17) is zero due to the transhybrid circuit, reference section titled "Transhybrid Balance G(4-4)".

This reduces Equation 17 to Equation 18.

$$V_{TR} = 2V_{RX} = -2\left(V_{TX}\frac{R_f}{R_{a1}} + \frac{V_{IN}R_f}{R_{a4}}\right) \quad (\text{EQ. 18})$$

Substituting $4R_S\Delta I_L$ (Equation 3) for V_{TX} in Equation 18 and combining this with Equation 16, results in an equation for V_{2W} in terms of: ΔI_L , the external resistors and the input voltage V_{IN} (Equation 19).

$$V_{2W} = (2R_P + 2R_S)\Delta I_L - 8R_S\Delta I_L\frac{R_f}{R_{a1}} - 2\frac{V_{IN}R_f}{R_{a4}} \quad (\text{EQ. 19})$$

Ohms law defines ΔI_L as being equal to $-V_{2W}/Z_O$. Substituting $-V_{2W}/Z_O$ for ΔI_L in Equation 19 gives Equation 20.

$$V_{2W} = -(2R_P + 2R_S)\frac{V_{2W}}{Z_O} + 8R_S\frac{V_{2W}}{Z_O}\frac{R_f}{R_{a1}} - 2\frac{V_{IN}R_f}{R_{a4}} \quad (\text{EQ. 20})$$

Equation 20 can be rearranged to solve for the 4-wire to 2-wire gain V_{2W}/V_{IN} , as shown in Equation 21.

$$A_{4W-2W} = \frac{V_{2W}}{V_{IN}} = -\left(\frac{2R_f}{R_{a4}}\right) \times \frac{R_{a1}Z_O}{R_{a1}(2R_P + 2R_S) + R_{a1}Z_O - 8R_S R_f} \quad (\text{EQ. 21})$$

Given: $R_f=100k\Omega$, $R_{a4}=200k\Omega$, $R_{a1}=267k\Omega$, $Z_O=600\Omega$, $R_S=100\Omega$, $R_P=50\Omega$.

Note: By making R_{a4} equal to $2R_f$ the 4-wire to 2-wire gain becomes -1.

Transmit Gain across HC5503PRC (V_{2W} to V_{TX})

The output voltage of the SLIC (V_{TX}) was defined in Equation 3 as being equal to $4R_S\Delta I_L$. ΔI_L is equal to twice the input voltage ($2V_{RX}$) divided by the total loop resistance as shown in Figure 4. If the load impedance is 600Ω , then the gain across the HC5503PRC is 2/3 the input voltage V_{RX} . Likewise, if the load impedance is 811Ω , (next example with a complex load) then the gain across the HC5503PRC is $400/811$ times the input voltage V_{RX} .

Transmit Gain (V_{2W} to V_{GSX})

2-wire to 4-wire gain is equal to the V_{GSX} voltage divided by the 2-wire voltage V_{2W} , reference Figure 3.

$$A_{2W-4W} = \frac{V_{GSX}}{V_{2W}} \quad (\text{EQ. 22})$$

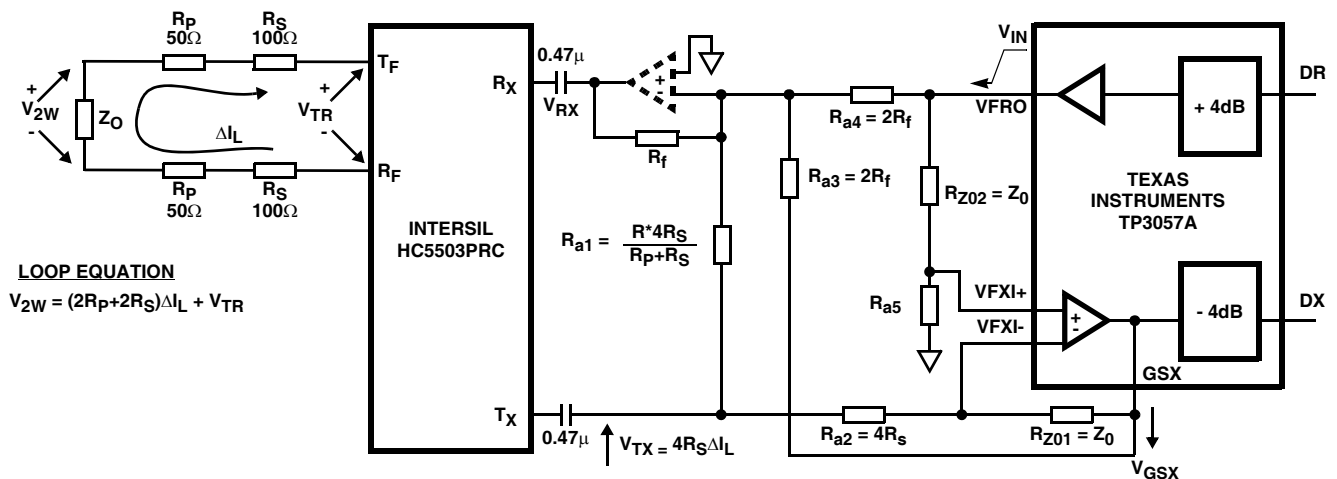


FIGURE 3. RECEIVE GAIN G(4-2), TRANSMIT GAIN (2-4) AND TRANSHYBRID BALANCE (FEEDBACK CIRCUIT ONLY)

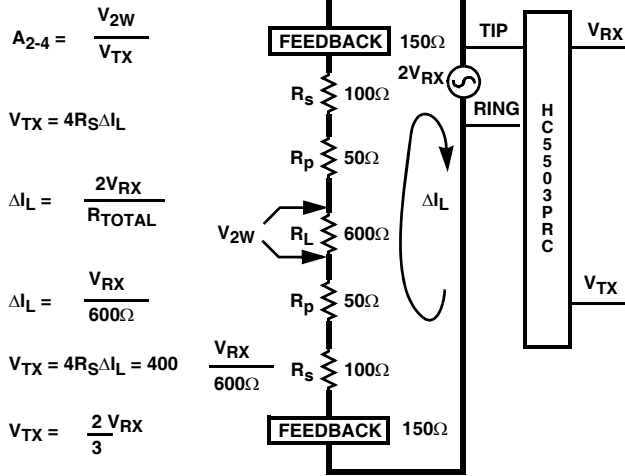


FIGURE 4. TRANSMIT GAIN ACROSS HC5503PRC (V_{2W} to V_{TX})

V_{GSX} is only a function of V_{TX} and the feedback resistors R_{a2} and R_{ZO1} Equation 23. This is because V_{IN} is considered ground for this analysis, thereby effectively grounding the positive terminal of the GSX OpAmp.

$$V_{GSX} = -V_{TX} \frac{R_{ZO1}}{R_{a2}} \quad (\text{EQ. 23})$$

Substituting Equation 3 for V_{TX} and ΔI_L for $-V_{2W}/Z_O$ into Equation 23, V_{GSX} equals:

$$V_{GSX} = 4R_S \frac{V_{2W}}{Z_O} \left(\frac{R_{ZO1}}{R_{a2}} \right) \quad (\text{EQ. 24})$$

Z_O is equal to R_{ZO1} (actual values of R_{ZO1} and R_{a2} were multiplied by 1000 to reduce loading effects on the opamps). Simplifying Equation 24 and assuming $R_{a2}=4R_S$ from Equation 13 results in Equation 25.

$$A_{2W-4W} = \frac{V_{GSX}}{V_{2W}} = \left(\frac{4R_S}{4R_S} \right) = 1 \quad (\text{EQ. 25})$$

The transmit gain 2-wire to 4-wire is equal to one.

Transhybrid Balance G(4-4)

Transhybrid balance is a measure of how well the input signal is canceled (that being received by the SLIC) from the transmit signal (that being transmitted from the SLIC to the CODEC). Without this function, voice communication would be difficult because of the echo.

The signals at V_{IN} and V_{TX} (Figure 3) are in phase. If V_{IN} and V_{TX} are summed together with the correct magnitudes at the input to the Combo transmit GSX OpAmp, they will cancel out and not be present at the V_{GSX} output.

The circuit in Figure 5 has been set up so that the SLIC matches the load impedance and that both G(4-2) and G(2-4) are adjusted to be 1.0 and flat over frequency.

The GSX OpAmp in the CODEC is configured as a differential amplifier with its output defined in Equation 26.

$$V_{GSX} = V_{IN} \frac{R_{a5}}{R_{a5} + R_{ZO2}} \left(\frac{R_{a2} + R_{ZO1}}{R_{a2}} \right) - V_{TX} \frac{R_{ZO1}}{R_{a2}} \quad (\text{EQ. 26})$$

The values of R_{a2} , R_{a5} , R_{ZO1} and R_{ZO2} should be scaled by 1000 to minimize the effects of parallel resistance on the gain adjustment resistor R2 (Figure 5). Resistors R1 and R2 adjust the gain of the input signal from the TP3057A to account for the +4dB gain in the receive path. Scaling of a complex load is shown in EQ 27.

$$R_{ZO1} \text{ or } R_{ZO2} = 100(\text{Resistive}) + \frac{\text{Reactive}}{100} \quad (\text{EQ. 27})$$

Note: When matching a complex impedance some impedance models (900+2.15μF, K=100) will cause the OpAmp feedback to be open at DC currents, bringing the OpAmp to an output rail. A resistor with a value of about 10 times the reactance of the capacitor (21.6nF) at the low frequency of interest (200Hz for example) can be placed in parallel with the capacitor in order to solve the problem (368kΩ for a 21.6nF capacitor).

Reference Design of the HC5503PRC and the TP3057A with a 600Ω Load Impedance

The design criteria is as follows:

- 4-wire to 2-wire gain (DR to V_{2W}) equal 0dB
- 2-wire to 4-wire gain (V_{2W} to D_X) equal 0dB
- Two Wire Return Loss greater than -30dB (200Hz to 4kHz)

$R_p = 50$, $R_s = 100$.

Figure 5 gives the reference design using the Intersil HC5503PRC SLIC and the Texas Instruments TP3057A combined PCM CODEC and filter. Also shown in Figure 5 are the voltage levels at specific points in the circuit. These voltages will be used to adjust the gains of the network.

Impedance Matching

For impedance matching of the 2-wire side we set the input voltage at DR equal to zero. This effectively grounds the V_{FXI+} input of the GSX amplifier. To achieve a 2-wire to 4-wire gain (V_{2W} to D_X) of 0dB we need to increase the gain of the GSX amplifier to overcome the -4dB loss in the TP3057A. The required gain is found by using Equation 24, repeated here for convenience in Equation 28.

$$V_{GSX} = 4R_S \frac{V_{2W}}{Z_O} \left(\frac{R_{ZO1}}{R_{a2}} \right) \quad (\text{EQ. 28})$$

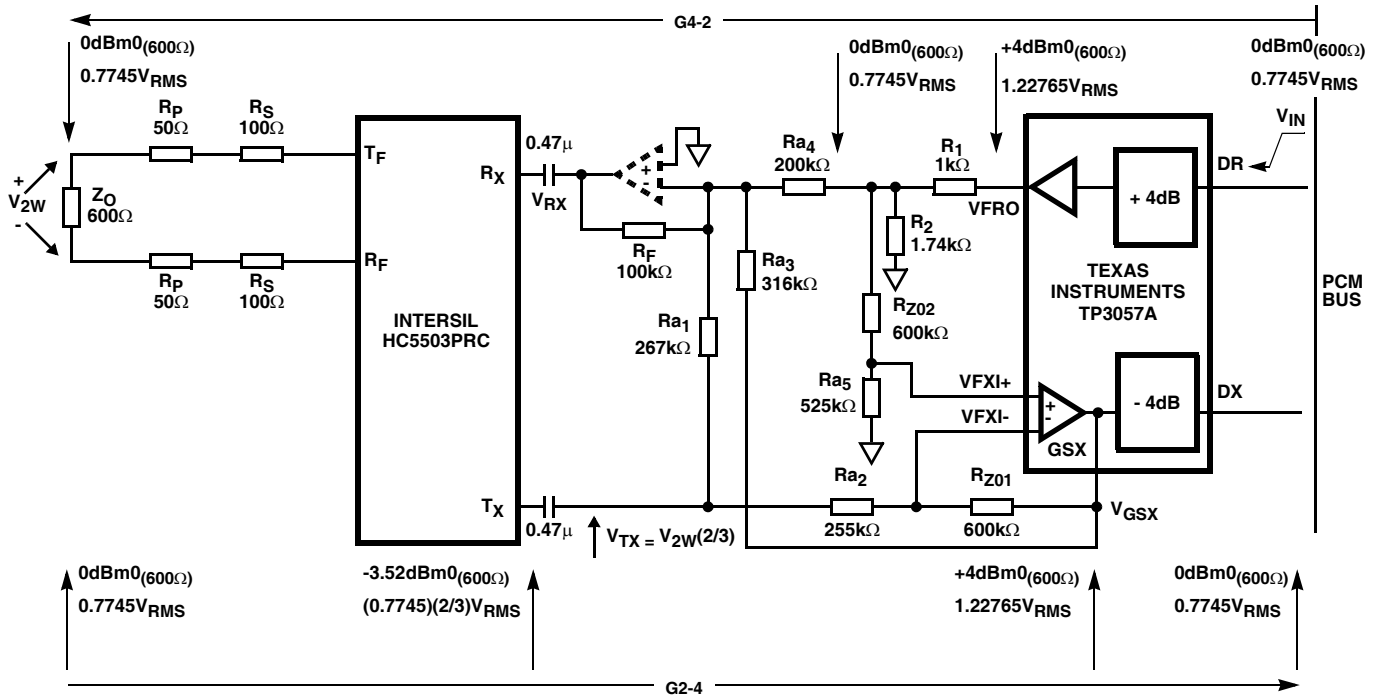


FIGURE 5. REFERENCE DESIGN OF THE HC5503PRC AND THE TP3057A WITH A 600Ω LOAD IMPEDANCE

Substituting the required voltage levels (Figure 5) for V_{GSX} (1.2276) and V_{2W} (0.7745) and rearranging to solve for R_{a2} results in Equation 29. Where: $V_{GSX} / V_{2W} = 1.585$, and $Z_0 = R_{Z01}$

$$R_{a2} = \frac{400}{1.585} = 252.3 \quad (\text{EQ. 29})$$

The value of R_{a2} needs to be scaled by 1000 to minimize the effects of the parallel resistance R_{Z02} and R_{a5} on the gain adjustment resistor R_2 .

The nearest standard value for R_{a2} is 255kΩ.

R_{a3} needs to increase by (1.585) to maintain the same feedback for impedance matching Equation 30.

$$R_{a3} = (200\text{k}\Omega)(1.585) = 317\text{k}\Omega \quad (\text{EQ. 30})$$

The closest standard value is for R_{a3} is 316kΩ.

To achieve a 4-wire to 2-wire gain (DR to V_{2W}) equal to 0dB we need to decrease the input to the feedback circuit from the VFRO pin to account for the +4dB increase in the TP3057A. A simple voltage divider will decrease the 1.2276 volt input down to the required 0.7745 volts Equation 31.

$$0.7745 = \frac{R_2}{R_2 + R_1} 1.2276 \quad (\text{EQ. 31})$$

Rearranging to solve for R_2 results in Equation 32.

$$R_2 = R_1(1.709) \quad (\text{EQ. 32})$$

If R_1 equals 1kΩ then R_2 equals 1.709kΩ. The closest standard value for R_2 is 1.74kΩ.

Transhybrid Balance ($Z_L = 600\Omega$)

The internal GSX amplifier of the TP3057A is used to perform the transhybrid balance function. For discussion purpose, the GSX amplifier is redrawn with the external resistors in Figure 6. The transfer function of the amplifier is given in Equation 33 and Equation 34.

$$V_{OUT} = V_2 \frac{R_{a5}}{R_{a5} + R_{Z02}} \left(\frac{R_{Z01} + R_{a2}}{R_{a2}} \right) - V_1 \frac{R_{Z01}}{R_{a2}} \quad (\text{EQ. 33})$$

$$V_{OUT} = V_2 \frac{R_{a5}}{R_{a5} + 600\text{k}\Omega} \left(\frac{600\text{k}\Omega + 255\text{k}\Omega}{255\text{k}\Omega} \right) - V_1 \frac{600\text{k}\Omega}{255\text{k}\Omega} \quad (\text{EQ. 34})$$

V_1 is equal to $(0.7745V_{RMS})(2/3)$. V_2 is equal to $0.7745V_{RMS}$ ($0\text{dBm}_{0(600\Omega)}$). V_{OUT} is equal to zero. The results of rearranging Equation 34 to solve for R_{a5} and substituting in the values for V_1 and V_2 are shown in Equation 35.

$$R_{a5} = \frac{941.17\text{k}\Omega}{(3.352 - 1.568)} = 527.47\text{k}\Omega \quad (\text{EQ. 35})$$

Closest standard value for R_{a5} is 525kΩ.

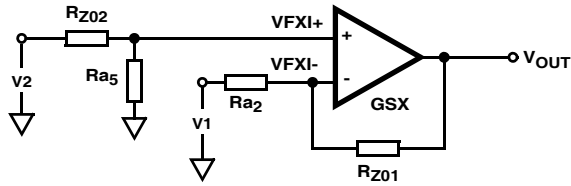


FIGURE 6. TRANSHYBRID BALANCE CIRCUIT

Specific Implementation for China

The design criteria for a China specific solution are as follows:

- Desired line circuit impedance is $200 + 680/0.1\mu\text{F}$
- Receive gain (V_{2W}/V_{DR}) is -3.5dB
- Transmit gain (V_{DX}/V_{2W}) is 0dB
- 0dBm0 is defined as 1mW into the complex impedance at 1020Hz

$R_p = 50$, $R_s = 100$.

Figure 7 gives the reference design using the Intersil HC5503PRC SLIC and the Texas Instruments TP3057A combined PCM CODEC and filter. Also shown in Figure 7 are the voltage levels at specific points in the circuit. These voltages will be used to adjust the gains of the network.

Adjustment to get -3.5dBm0 at the Load Referenced to 600Ω

The voltage equivalent to 0dBm0 into 811Ω ($0\text{dBm0}_{(811\Omega)}$) is calculated using Equation 36. China complex load @ 1020Hz is equal to 811Ω .

$$0\text{dBm0}_{(811\Omega)} = 10\log \frac{V^2}{811(0.001)} = 0.90055V_{\text{RMS}} \quad (\text{EQ. 36})$$

The gain referenced back to 0dBm0(600Ω) is equal to:

$$\text{GAIN} = 20\log \frac{0.90055V_{\text{RMS}}}{0.7745V_{\text{RMS}}} = 1.309\text{dB} \quad (\text{EQ. 37})$$

The adjustment to get -3.5dBm0 at the load referenced to 600Ω is:

$$\text{Adjustment} = -3.5\text{dBm0} + 1.309\text{dBm0} = -2.19\text{dB} \quad (\text{EQ. 38})$$

The voltage at the load (referenced to 600Ω) is given in Equation 39.

$$-2.19\text{dBm0}_{(600\Omega)} = 10\log \frac{V^2}{600(0.001)} = 0.60196V_{\text{RMS}} \quad (\text{EQ. 39})$$

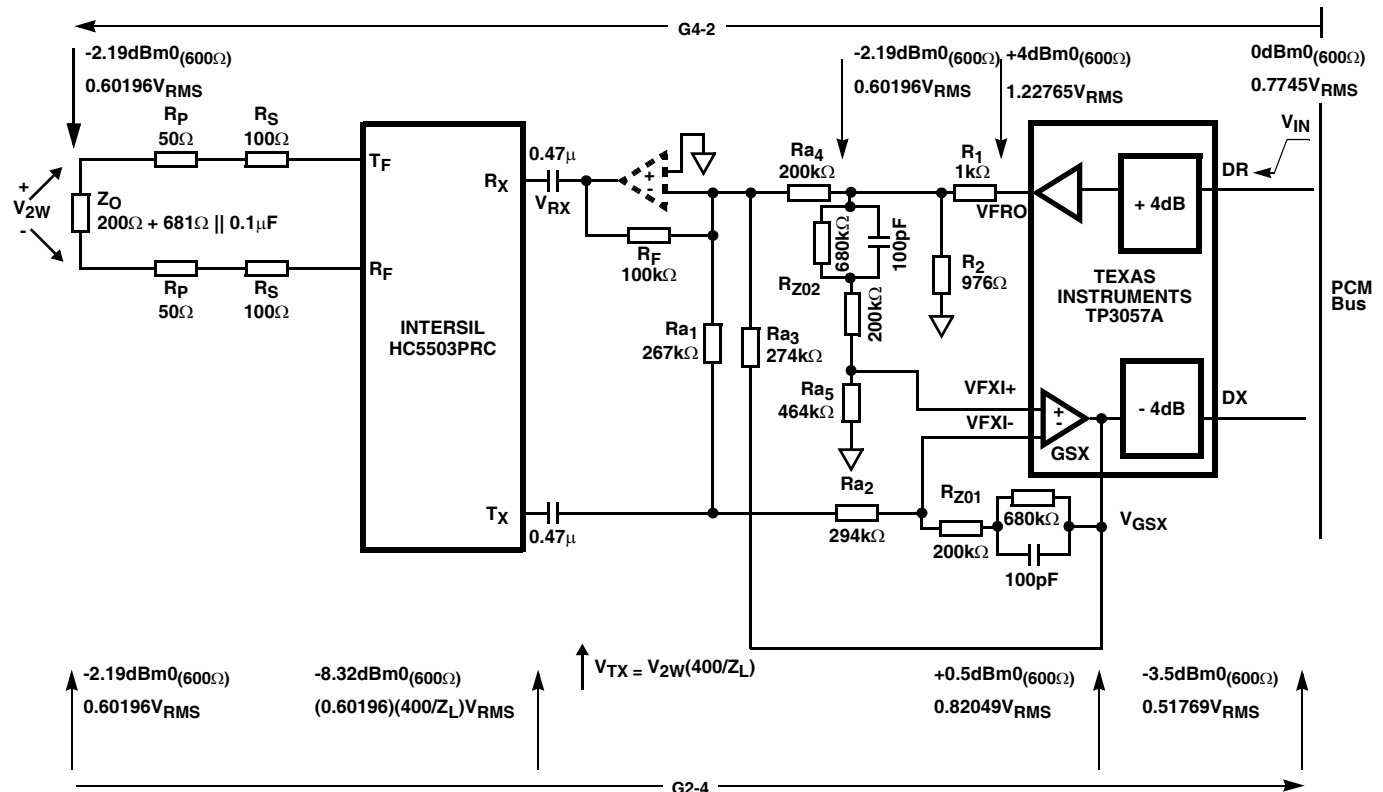


FIGURE 7. REFERENCE DESIGN OF THE HC5503PRC AND THE TP3057A WITH CHINA COMPLEX LOAD IMPEDANCE

Impedance Matching

For impedance matching of the 2-wire side we set the input voltage at DR equal to zero. This effectively grounds the VFXI+ input of the GSX amplifier. To achieve a 2-wire to 4-wire gain (V_{2W} to DX) of 0dB we need to increase the gain of the GSX amplifier to overcome the -4dB loss in the TP3057A. The required gain is found by using Equation 24, repeated here for convenience in Equation 40.

$$V_{GSX} = 4R_S \frac{V_{2W}}{Z_O} \left(\frac{R_{Z01}}{R_{a2}} \right) \quad (\text{EQ. 40})$$

Substituting the required voltage levels (Figure 7) for V_{GSX} (0.82049) and V_{2W} (0.60196) and rearranging to solve for R_{a2} results in Equation 41. Where: $V_{GSX} / V_{2W} = 1.363$, and $Z_O = R_{Z01}$:

$$R_{a2} = \frac{400}{1.363} = 293.47 \quad (\text{EQ. 41})$$

The value of R_{a2} needs to be scaled by 1000 to minimize the effects of parallel resistance on the gain adjustment resistor R2. The nearest standard value for R_{a2} is 294k Ω .

R_{a3} needs to increase by (1.363) to maintain the same feedback for impedance matching Equation 42.

$$R_{a3} = (200\text{k}\Omega)(1.363) = 272.6\text{k}\Omega \quad (\text{EQ. 42})$$

The closest standard value is for R_{a3} is 274k Ω .

To achieve a 4-wire to 2-wire gain (DR to V_{2W}) equal to 0dB we need to decrease the input to the feedback circuit from the VFRO pin to account for the +4dB increase in the TP3057A. A simple voltage divider will decrease the 1.2276 volt input down to the required 0.60196 volts Equation 43.

$$0.60196 = \frac{R_2}{R_2 + R_1} 1.2276 \quad (\text{EQ. 43})$$

Rearranging to solve for R_2 results in Equation 44.

$$R_2 = R_1(0.9621) \quad (\text{EQ. 44})$$

If R_1 equals 1k Ω then R_2 equals 962.1 Ω .

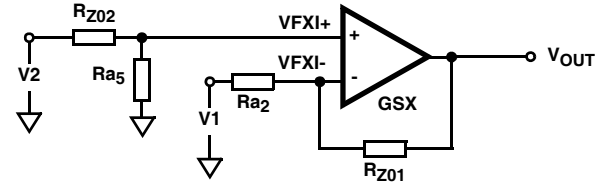


FIGURE 8. TRANSHYBRID BALANCE CIRCUIT

The closest standard value for R_2 is 976 Ω .

Transhybrid Balance ($Z_L = 200 + 680/j0.1\mu F$)

The internal GSX amplifier of the TP3057A is used to perform the transhybrid balance function. For discussion purpose, the GSX amplifier is redrawn with the external resistors in Figure 8. The transfer function of the amplifier is given in Equation 45.

$$V_{OUT} = V_2 \frac{R_{a5}}{R_{a5} + R_{Z02}} \left(\frac{R_{Z01} + R_{a2}}{R_{a2}} \right) - V_1 \frac{R_{Z01}}{R_{a2}} \quad (\text{EQ. 45})$$

The impedance of the series parallel complex China load is equal to (multiplied by 1000):

$$R_{Z01} = R_{Z02} = 771\text{k} - j249\text{k} \quad (\text{EQ. 46})$$

Setting V_{OUT} equal to zero, best transhybrid balance, and rearranging the equation we get Equation 47.

$$V_2 \frac{R_{a5}}{R_{a5} + 771\text{k} - j249\text{k}} \left(\frac{771\text{k} - j249\text{k} + 294\text{k}\Omega}{294\text{k}\Omega} \right) = V_1 \frac{771\text{k} - j249\text{k}}{294\text{k}\Omega} \quad (\text{EQ. 47})$$

V_1 is equal to $(0.60196V_{RMS})(400/811)$ and V_2 is equal to $0.60196V_{RMS}$. The results of rearranging Equation 47 to solve for R_{a5} and substituting in the values for V_1 and V_2 is shown in Equation 48.

$$R_{a5} = \frac{273\text{k} - j114\text{k}}{0.636 - j0.0302} = 420\text{k} - j199\text{k} = 465\text{k}\angle -25.3^\circ \quad (\text{EQ. 48})$$

Closest standard value for R_{a5} is 464k Ω .

Specific Implementation for Australia

The design criteria for a Australia specific solution are as follows:

- Desired line circuit impedance is $220 + 820//120nF$
- Receive gain (V_{2W}/V_{DR}) is -3.5dB
- Transmit gain (V_{DX}/V_{2W}) is 0dB
- 0dBm0 is defined as 1mW into the complex impedance at 1020Hz

$R_p = 50, R_s = 100.$

Figure 9 gives the reference design using the Intersil HC5503PRC SLIC and the Texas Instruments TP3057A combined PCM CODEC and filter. Also shown in Figure 9 are the voltage levels at specific points in the circuit. These voltages will be used to adjust the gains of the network.

Adjustment to get -3.5dBm0 at the Load Referenced to 600Ω

The voltage equivalent to 0dBm0 into 887Ω ($0dBm0_{(887\Omega)}$) is calculated using Equation 49. Australia complex load @ 1020Hz is equal to 887Ω .

$$0dBm_{(887\Omega)} = 10\log\frac{V^2}{887(0.001)} = 0.936483V_{RMS} \quad (EQ. 49)$$

The gain referenced back to 0dBm0(600Ω) is equal to:

$$GAIN = 20\log\frac{0.936483V_{RMS}}{0.7745V_{RMS}} = 1.64957dB \quad (EQ. 50)$$

The adjustment to get -3.5dBm0 at the load referenced to 600Ω is:

$$Adjustment = -3.5dBm0 + 1.649dBm0 = -1.85dB \quad (EQ. 51)$$

The voltage at the load (referenced to 600Ω) is given in Equation 52.

$$-1.85dBm_{(600\Omega)} = 10\log\frac{V^2}{600(0.001)} = 0.625971V_{RMS} \quad (EQ. 52)$$

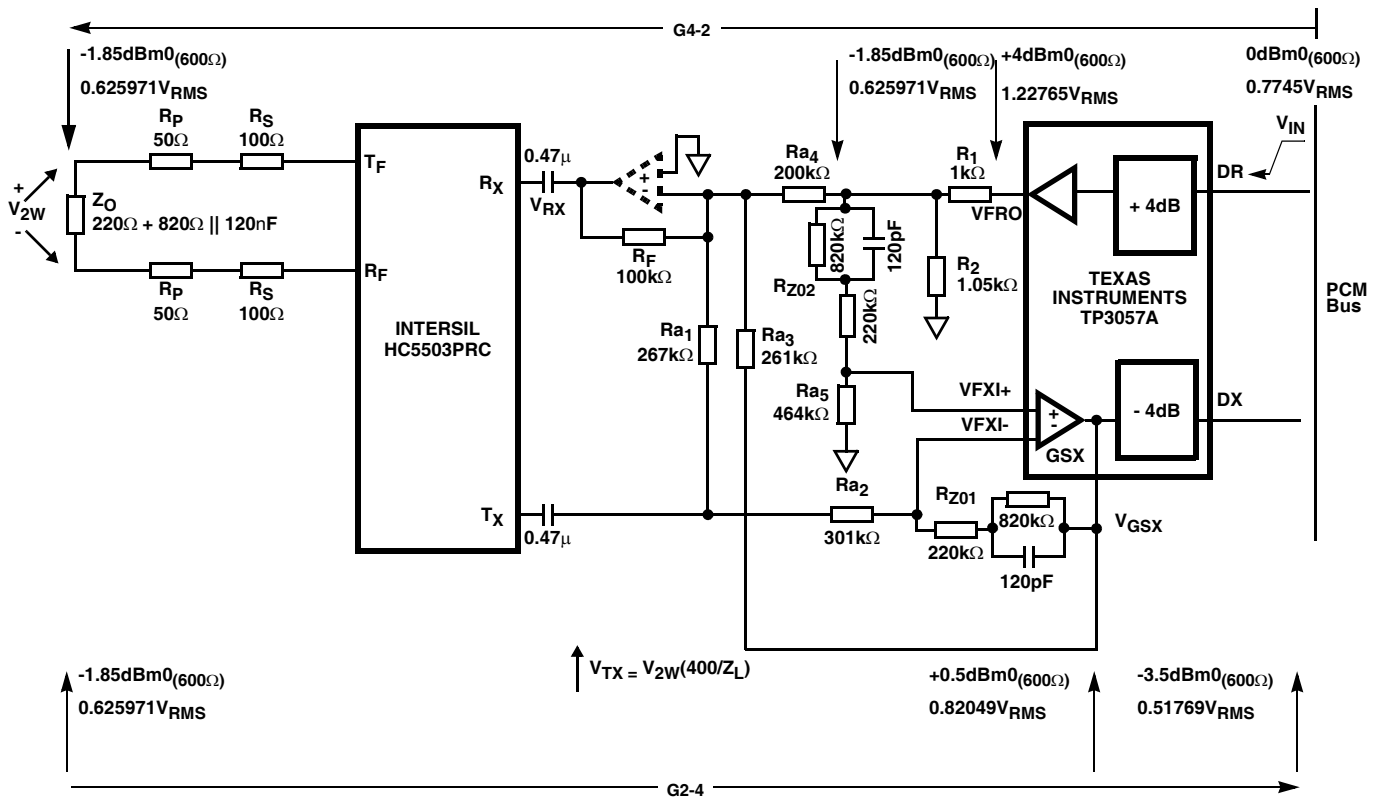


FIGURE 9. REFERENCE DESIGN OF THE HC5503PRC AND THE TP3057A WITH Australia COMPLEX LOAD IMPEDANCE

Impedance Matching

For impedance matching of the 2-wire side we set the input voltage at DR equal to zero. This effectively grounds the VFXI+ input of the GSX amplifier. To achieve a 2-wire to 4-wire gain (V_{2W} to DX) of 0dB we need to increase the gain of the GSX amplifier to overcome the -4dB loss in the TP3057A. The required gain is found by using Equation 24, repeated here for convenience in Equation 53.

$$V_{GSX} = 4R_S \frac{V_{2W}}{Z_O} \left(\frac{R_{ZO1}}{R_{a2}} \right) \quad (\text{EQ. 53})$$

Substituting the required voltage levels (Figure 9) for V_{GSX} (0.82049) and V_{2W} (0.625971) and rearranging to solve for R_{a2} results in Equation 54. Where: $V_{GSX} / V_{2W} = 1.311$, and $Z_O = R_{ZO1}$:

$$R_{a2} = \frac{400}{1.311} = 305.17 \quad (\text{EQ. 54})$$

The value of R_{a2} needs to be scaled by 1000 to minimize the effects of parallel resistance on the gain adjustment resistor R_2 . The nearest standard value for R_{a2} is 301k Ω .

R_{a3} needs to increase by (1.311) to maintain the same feedback for impedance matching Equation 55.

$$R_{a3} = (200\text{k}\Omega)(1.311) = 262.2\text{k}\Omega \quad (\text{EQ. 55})$$

The closest standard value is for R_{a3} is 261k Ω .

To achieve a 4-wire to 2-wire gain (DR to V_{2W}) equal to 0dB we need to decrease the input to the feedback circuit from the VFRO pin to account for the +4dB increase in the TP3057A. A simple voltage divider will decrease the 1.2276 volt input down to the required 0.625971 volts Equation 56.

$$0.625971 = \frac{R_2}{R_2 + R_1} 1.2276 \quad (\text{EQ. 56})$$

Rearranging to solve for R_2 results in Equation 44.

$$R_2 = R_1(1.04037) \quad (\text{EQ. 57})$$

If R_1 equals 1k Ω then R_2 equals 1.04k Ω .

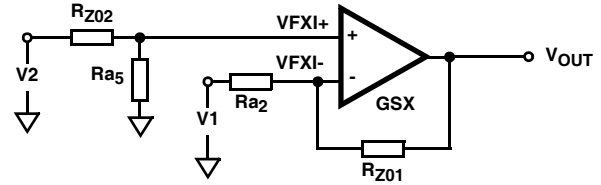


FIGURE 10. TRANSHYBRID BALANCE CIRCUIT

The closest standard value for R_2 is 1.05k Ω .

Transhybrid Balance ($Z_L = 220 + 820/j120\text{nF}$)

The internal GSX amplifier of the TP3057A is used to perform the transhybrid balance function. For discussion purpose, the GSX amplifier is redrawn with the external resistors in Figure 10. The transfer function of the amplifier is given in Equation 58.

$$V_{OUT} = V_2 \frac{R_{a5}}{R_{a5} + R_{ZO2}} \left(\frac{R_{ZO1} + R_{a2}}{R_{a2}} \right) - V_1 \frac{R_{ZO1}}{R_{a2}} \quad (\text{EQ. 58})$$

The impedance of the series parallel complex Australia load is equal to (multiplied by 1000):

$$R_{ZO1} = R_{ZO2} = 807\text{k} - j370\text{k} \quad (\text{EQ. 59})$$

Setting V_{OUT} equal to zero, best transhybrid balance, and rearranging the equation we get Equation 60.

$$V_2 \frac{R_{a5}}{R_{a5} + 807\text{k} - j370\text{k}} \left(\frac{807\text{k} - j370\text{k} + 301\text{k}\Omega}{301\text{k}\Omega} \right) = V_1 \frac{807\text{k} - j370\text{k}}{301\text{k}\Omega} \quad (\text{EQ. 60})$$

V_1 is equal to $(0.625971V_{RMS})(400/887)$ and V_2 is equal to $0.625971V_{RMS}$. The results of rearranging Equation 60 to solve for R_{a5} and substituting in the values for V_1 and V_2 is shown in Equation 61.

$$R_{a5} = \frac{261\text{k} - j156\text{k}}{0.659 - j0.0368} = 382\text{k} - j258\text{k} = 461\text{k}\angle -34^\circ \quad (\text{EQ. 61})$$

Closest standard value for R_{a5} is 464k Ω .

Notice

1. Descriptions of circuits, software and other related information in this document are provided only to illustrate the operation of semiconductor products and application examples. You are fully responsible for the incorporation or any other use of the circuits, software, and information in the design of your product or system. Renesas Electronics disclaims any and all liability for any losses and damages incurred by you or third parties arising from the use of these circuits, software, or information.
2. Renesas Electronics hereby expressly disclaims any warranties against and liability for infringement or any other claims involving patents, copyrights, or other intellectual property rights of third parties, by or arising from the use of Renesas Electronics products or technical information described in this document, including but not limited to, the product data, drawings, charts, programs, algorithms, and application examples.
3. No license, express, implied or otherwise, is granted hereby under any patents, copyrights or other intellectual property rights of Renesas Electronics or others.
4. You shall not alter, modify, copy, or reverse engineer any Renesas Electronics product, whether in whole or in part. Renesas Electronics disclaims any and all liability for any losses or damages incurred by you or third parties arising from such alteration, modification, copying or reverse engineering.
5. Renesas Electronics products are classified according to the following two quality grades: "Standard" and "High Quality". The intended applications for each Renesas Electronics product depends on the product's quality grade, as indicated below.
"Standard": Computers; office equipment; communications equipment; test and measurement equipment; audio and visual equipment; home electronic appliances; machine tools; personal electronic equipment; industrial robots; etc.
"High Quality": Transportation equipment (automobiles, trains, ships, etc.); traffic control (traffic lights); large-scale communication equipment; key financial terminal systems; safety control equipment; etc.
Unless expressly designated as a high reliability product or a product for harsh environments in a Renesas Electronics data sheet or other Renesas Electronics document, Renesas Electronics products are not intended or authorized for use in products or systems that may pose a direct threat to human life or bodily injury (artificial life support devices or systems; surgical implantations; etc.), or may cause serious property damage (space system; undersea repeaters; nuclear power control systems; aircraft control systems; key plant systems; military equipment; etc.). Renesas Electronics disclaims any and all liability for any damages or losses incurred by you or any third parties arising from the use of any Renesas Electronics product that is inconsistent with any Renesas Electronics data sheet, user's manual or other Renesas Electronics document.
6. When using Renesas Electronics products, refer to the latest product information (data sheets, user's manuals, application notes, "General Notes for Handling and Using Semiconductor Devices" in the reliability handbook, etc.), and ensure that usage conditions are within the ranges specified by Renesas Electronics with respect to maximum ratings, operating power supply voltage range, heat dissipation characteristics, installation, etc. Renesas Electronics disclaims any and all liability for any malfunctions, failure or accident arising out of the use of Renesas Electronics products outside of such specified ranges.
7. Although Renesas Electronics endeavors to improve the quality and reliability of Renesas Electronics products, semiconductor products have specific characteristics, such as the occurrence of failure at a certain rate and malfunctions under certain use conditions. Unless designated as a high reliability product or a product for harsh environments in a Renesas Electronics data sheet or other Renesas Electronics document, Renesas Electronics products are not subject to radiation resistance design. You are responsible for implementing safety measures to guard against the possibility of bodily injury, injury or damage caused by fire, and/or danger to the public in the event of a failure or malfunction of Renesas Electronics products, such as safety design for hardware and software, including but not limited to redundancy, fire control and malfunction prevention, appropriate treatment for aging degradation or any other appropriate measures. Because the evaluation of microcomputer software alone is very difficult and impractical, you are responsible for evaluating the safety of the final products or systems manufactured by you.
8. Please contact a Renesas Electronics sales office for details as to environmental matters such as the environmental compatibility of each Renesas Electronics product. You are responsible for carefully and sufficiently investigating applicable laws and regulations that regulate the inclusion or use of controlled substances, including without limitation, the EU RoHS Directive, and using Renesas Electronics products in compliance with all these applicable laws and regulations. Renesas Electronics disclaims any and all liability for damages or losses occurring as a result of your noncompliance with applicable laws and regulations.
9. Renesas Electronics products and technologies shall not be used for or incorporated into any products or systems whose manufacture, use, or sale is prohibited under any applicable domestic or foreign laws or regulations. You shall comply with any applicable export control laws and regulations promulgated and administered by the governments of any countries asserting jurisdiction over the parties or transactions.
10. It is the responsibility of the buyer or distributor of Renesas Electronics products, or any other party who distributes, disposes of, or otherwise sells or transfers the product to a third party, to notify such third party in advance of the contents and conditions set forth in this document.
11. This document shall not be reprinted, reproduced or duplicated in any form, in whole or in part, without prior written consent of Renesas Electronics.
12. Please contact a Renesas Electronics sales office if you have any questions regarding the information contained in this document or Renesas Electronics products.
(Note 1) "Renesas Electronics" as used in this document means Renesas Electronics Corporation and also includes its directly or indirectly controlled subsidiaries.
(Note 2) "Renesas Electronics product(s)" means any product developed or manufactured by or for Renesas Electronics.

(Rev.4.0-1 November 2017)



SALES OFFICES

Renesas Electronics Corporation

<http://www.renesas.com>

Refer to "<http://www.renesas.com/>" for the latest and detailed information.

Renesas Electronics America Inc.
1001 Murphy Ranch Road, Milpitas, CA 95035, U.S.A.
Tel: +1-408-432-8888, Fax: +1-408-434-5351

Renesas Electronics Canada Limited
9251 Yonge Street, Suite 8309 Richmond Hill, Ontario Canada L4C 9T3
Tel: +1-905-237-2004

Renesas Electronics Europe Limited
Dukes Meadow, Millboard Road, Bourne End, Buckinghamshire, SL8 5FH, U.K
Tel: +44-1628-651-700, Fax: +44-1628-651-804

Renesas Electronics Europe GmbH
Arcadiastrasse 10, 40472 Düsseldorf, Germany
Tel: +49-211-6503-0, Fax: +49-211-6503-1327

Renesas Electronics (China) Co., Ltd.
Room 1709 Quantum Plaza, No.27 ZhichunLu, Haidian District, Beijing, 100191 P. R. China
Tel: +86-10-8235-1155, Fax: +86-10-8235-7679

Renesas Electronics (Shanghai) Co., Ltd.
Unit 301, Tower A, Central Towers, 555 Langao Road, Putuo District, Shanghai, 200333 P. R. China
Tel: +86-21-2226-0888, Fax: +86-21-2226-0999

Renesas Electronics Hong Kong Limited
Unit 1601-1611, 16/F., Tower 2, Grand Century Place, 193 Prince Edward Road West, Mongkok, Kowloon, Hong Kong
Tel: +852-2265-6688, Fax: +852-2886-9022

Renesas Electronics Taiwan Co., Ltd.
13F, No. 363, Fu Shing North Road, Taipei 10543, Taiwan
Tel: +886-2-8175-9600, Fax: +886-2-8175-9670

Renesas Electronics Singapore Pte. Ltd.
80 Bendemeer Road, Unit #06-02 Hyflux Innovation Centre, Singapore 339949
Tel: +65-6213-0200, Fax: +65-6213-0300

Renesas Electronics Malaysia Sdn.Bhd.
Unit 1207, Block B, Menara Amcorp, Amcorp Trade Centre, No. 18, Jln Persiaran Barat, 46050 Petaling Jaya, Selangor Darul Ehsan, Malaysia
Tel: +60-3-7955-9390, Fax: +60-3-7955-9510

Renesas Electronics India Pvt. Ltd.
No.777C, 100 Feet Road, HAL 2nd Stage, Indiranagar, Bangalore 560 038, India
Tel: +91-80-67208700, Fax: +91-80-67208777

Renesas Electronics Korea Co., Ltd.
17F, KAMCO Yangjae Tower, 262, Gangnam-daero, Gangnam-gu, Seoul, 06265 Korea
Tel: +82-2-558-3737, Fax: +82-2-558-5338