

Introduction

Sync signals are a necessary part of video systems, but it seems like they are often there when you don't want them, and conspicuously absent when you need one. Thus, two common functions required for processing analog video signals are sync strippers, to remove unwanted sync signals, and sync inserters to combine separate video and sync signals into one "composite" video signal. An ideal sync stripper or inserter should perform the desired function and drive at least one double terminated video load without degrading the video signal.

Sync Stripper

In video systems it is frequently necessary to remove the sync pulse from a video signal, while passing the active video information. A familiar application for this is the scrambling of premium channels by cable operators so that they may only be viewed by authorized subscribers. The removal of the sync pulse makes it impossible for the television receiver to lock onto the video signal thus producing a highly distorted picture. Sync strippers are also useful for removing the sync pulse from video signals preceding A/D conversion. After removal of the sync pulse, the active video portion of the signal may be gained up to the full scale input range of the converter for better resolution.

Figure 1 shows a composite video sync stripper composed of an Output Limiting Op Amp (U₁) and a Programmable Gain, Output Limiting Buffer (U₂). U₂ is the video amplifier/driver, and is configured in a gain of 2 in order to provide an overall unity gain while driving a double terminated 75Ω cable. Using the HFA1115 for U₂ (an HFA1113 may be used if higher bandwidth is needed for component video applications), rather than an op amp, saves board space because the gain setting resistors are inside the IC. U₁ is configured as a comparator and performs the sync detect function. The Sync Detect adjustment is nominally set for a comparator threshold of -0.2V, which sets it below the level of the active video information, but within the normal level for sync signals.

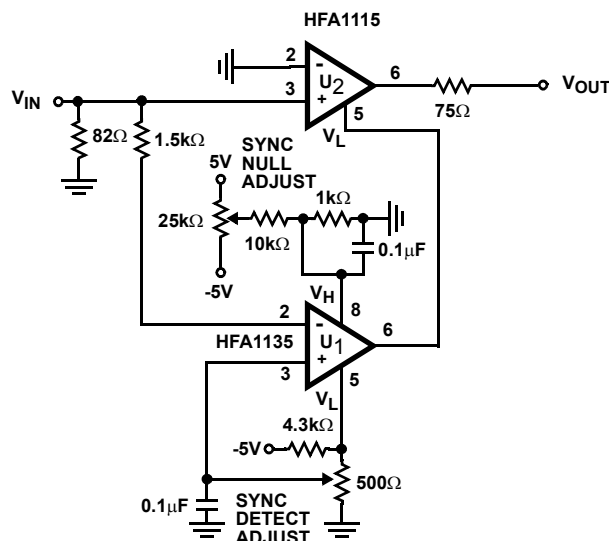


FIGURE 1. COMPOSITE VIDEO SYNC STRIPPER

During a sync pulse, the output of the comparator (U₁) swings to the voltage set on its V_H pin (approximately 0V in this case). The output of U₁ drives the V_L input of U₂, so the video output (V_{OUT}) is prevented from swinging below GND, thereby removing the sync pulse. The Sync Null potentiometer sets the V_H level of the comparator, and is adjusted for a 0V output from U₂ during the sync interval. This adjustment compensates for offset errors in the limiting circuitry of U₁ and U₂.

Figure 2 shows a comparison of the input (a composite NTSC test signal) and output waveforms of the sync stripper circuit. Note that the active portion of the composite video signal crosses below the blanking level (0V in this case). This is why a simple half wave rectifier, or a component video sync stripper (see HFA1103 data sheet and App Note AN9514) cannot be used as a composite video sync stripper. The circuit in Figure 1 removes the sync pulse while preserving the full range of the active video portion of the signal. During this active video, the comparator's output swings to the voltage defined by its V_L input (approximately -2.5V), so no low limiting is applied to U₂. Thus the video signal is passed by U₂ with no limiting distortion.

This circuit does produce glitches at the sync edges that are a few nanoseconds wide, but most receivers will not recognize these glitches as sync pulses. In sensitive applications, these glitches can be reduced by a low pass filter.

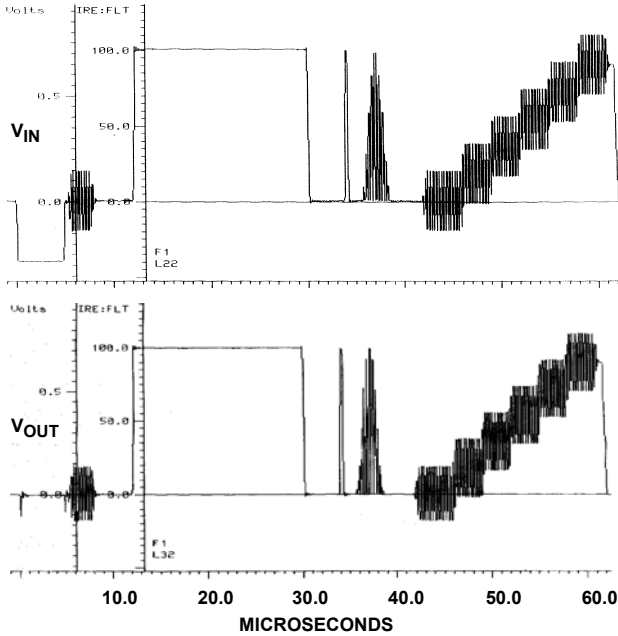


FIGURE 2. COMPOSITE VIDEO INPUT AND SYNC STRIPPER OUTPUT

Sync Inserter

In video distribution systems or video switchers, cost usually prevents assigning channels solely for sync signals. Therefore, sync signals are usually added to an active video channel, before running through the switcher or router, via a sync inserter circuit.

A simple variation of the circuit in Figure 1 may be used to insert sync pulses in video signals. If a properly timed TTL level pulse is applied to the Sync Input during the horizontal or vertical blanking interval, the circuit in Figure 3 inserts a negative sync pulse into the video signal applied at the Video Input.

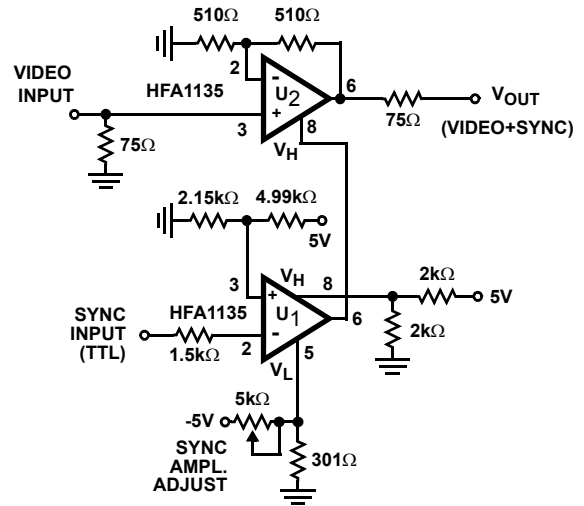


FIGURE 3. SYNC INSERTION CIRCUIT

On the positive transition of the Sync Input signal, the comparator's (U₁) output swings to the voltage defined at its V_L input (approximately -0.8V). This drives the video amplifier's (U₂) V_H input to -0.8V (approximately), which forces its output to approximately -0.6V, and yields a -300mV sync signal at the output of a double terminated cable (V_{OUT}). The Sync Amplitude potentiometer can be adjusted to set the sync tip to the desired voltage.

Once the Sync Input returns to GND, the comparator output swings to 2.5V, as defined by its V_H input, and the video amplifier is once again ready to pass the active video information.

Figure 4 shows the output of the Sync Inserter which used the sync stripped output from Figure 2 as its video input, and a positive TTL level pulse for its sync input.

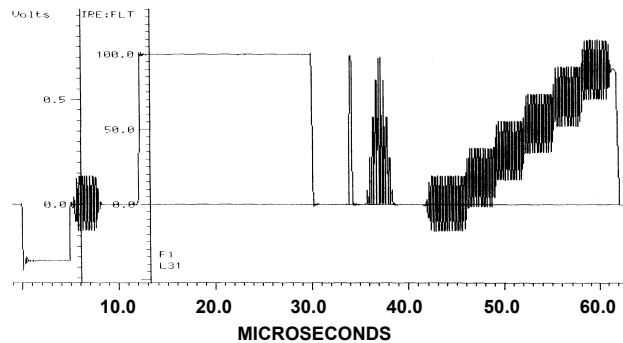


FIGURE 4. OUTPUT FROM SYNC INSERTER CIRCUIT

If the Sync Input signal is an inverted TTL pulse, move the reference divider network from the noninverting to the inverting input, and connect the Sync Input (sans the 1.5k resistor) to the noninverting input.

Notice

1. Descriptions of circuits, software and other related information in this document are provided only to illustrate the operation of semiconductor products and application examples. You are fully responsible for the incorporation or any other use of the circuits, software, and information in the design of your product or system. Renesas Electronics disclaims any and all liability for any losses and damages incurred by you or third parties arising from the use of these circuits, software, or information.
2. Renesas Electronics hereby expressly disclaims any warranties against and liability for infringement or any other claims involving patents, copyrights, or other intellectual property rights of third parties, by or arising from the use of Renesas Electronics products or technical information described in this document, including but not limited to, the product data, drawings, charts, programs, algorithms, and application examples.
3. No license, express, implied or otherwise, is granted hereby under any patents, copyrights or other intellectual property rights of Renesas Electronics or others.
4. You shall not alter, modify, copy, or reverse engineer any Renesas Electronics product, whether in whole or in part. Renesas Electronics disclaims any and all liability for any losses or damages incurred by you or third parties arising from such alteration, modification, copying or reverse engineering.
5. Renesas Electronics products are classified according to the following two quality grades: "Standard" and "High Quality". The intended applications for each Renesas Electronics product depends on the product's quality grade, as indicated below.
"Standard": Computers; office equipment; communications equipment; test and measurement equipment; audio and visual equipment; home electronic appliances; machine tools; personal electronic equipment; industrial robots; etc.
"High Quality": Transportation equipment (automobiles, trains, ships, etc.); traffic control (traffic lights); large-scale communication equipment; key financial terminal systems; safety control equipment; etc.
Unless expressly designated as a high reliability product or a product for harsh environments in a Renesas Electronics data sheet or other Renesas Electronics document, Renesas Electronics products are not intended or authorized for use in products or systems that may pose a direct threat to human life or bodily injury (artificial life support devices or systems; surgical implantations; etc.), or may cause serious property damage (space system; undersea repeaters; nuclear power control systems; aircraft control systems; key plant systems; military equipment; etc.). Renesas Electronics disclaims any and all liability for any damages or losses incurred by you or any third parties arising from the use of any Renesas Electronics product that is inconsistent with any Renesas Electronics data sheet, user's manual or other Renesas Electronics document.
6. When using Renesas Electronics products, refer to the latest product information (data sheets, user's manuals, application notes, "General Notes for Handling and Using Semiconductor Devices" in the reliability handbook, etc.), and ensure that usage conditions are within the ranges specified by Renesas Electronics with respect to maximum ratings, operating power supply voltage range, heat dissipation characteristics, installation, etc. Renesas Electronics disclaims any and all liability for any malfunctions, failure or accident arising out of the use of Renesas Electronics products outside of such specified ranges.
7. Although Renesas Electronics endeavors to improve the quality and reliability of Renesas Electronics products, semiconductor products have specific characteristics, such as the occurrence of failure at a certain rate and malfunctions under certain use conditions. Unless designated as a high reliability product or a product for harsh environments in a Renesas Electronics data sheet or other Renesas Electronics document, Renesas Electronics products are not subject to radiation resistance design. You are responsible for implementing safety measures to guard against the possibility of bodily injury, injury or damage caused by fire, and/or danger to the public in the event of a failure or malfunction of Renesas Electronics products, such as safety design for hardware and software, including but not limited to redundancy, fire control and malfunction prevention, appropriate treatment for aging degradation or any other appropriate measures. Because the evaluation of microcomputer software alone is very difficult and impractical, you are responsible for evaluating the safety of the final products or systems manufactured by you.
8. Please contact a Renesas Electronics sales office for details as to environmental matters such as the environmental compatibility of each Renesas Electronics product. You are responsible for carefully and sufficiently investigating applicable laws and regulations that regulate the inclusion or use of controlled substances, including without limitation, the EU RoHS Directive, and using Renesas Electronics products in compliance with all these applicable laws and regulations. Renesas Electronics disclaims any and all liability for damages or losses occurring as a result of your noncompliance with applicable laws and regulations.
9. Renesas Electronics products and technologies shall not be used for or incorporated into any products or systems whose manufacture, use, or sale is prohibited under any applicable domestic or foreign laws or regulations. You shall comply with any applicable export control laws and regulations promulgated and administered by the governments of any countries asserting jurisdiction over the parties or transactions.
10. It is the responsibility of the buyer or distributor of Renesas Electronics products, or any other party who distributes, disposes of, or otherwise sells or transfers the product to a third party, to notify such third party in advance of the contents and conditions set forth in this document.
11. This document shall not be reprinted, reproduced or duplicated in any form, in whole or in part, without prior written consent of Renesas Electronics.
12. Please contact a Renesas Electronics sales office if you have any questions regarding the information contained in this document or Renesas Electronics products.
(Note 1) "Renesas Electronics" as used in this document means Renesas Electronics Corporation and also includes its directly or indirectly controlled subsidiaries.
(Note 2) "Renesas Electronics product(s)" means any product developed or manufactured by or for Renesas Electronics.

(Rev.4.0-1 November 2017)



SALES OFFICES

Renesas Electronics Corporation

<http://www.renesas.com>

Refer to "<http://www.renesas.com/>" for the latest and detailed information.

Renesas Electronics America Inc.
1001 Murphy Ranch Road, Milpitas, CA 95035, U.S.A.
Tel: +1-408-432-8888, Fax: +1-408-434-5351

Renesas Electronics Canada Limited
9251 Yonge Street, Suite 8309 Richmond Hill, Ontario Canada L4C 9T3
Tel: +1-905-237-2004

Renesas Electronics Europe Limited
Dukes Meadow, Millboard Road, Bourne End, Buckinghamshire, SL8 5FH, U.K
Tel: +44-1628-651-700, Fax: +44-1628-651-804

Renesas Electronics Europe GmbH
Arcadiastrasse 10, 40472 Düsseldorf, Germany
Tel: +49-211-6503-0, Fax: +49-211-6503-1327

Renesas Electronics (China) Co., Ltd.
Room 1709 Quantum Plaza, No.27 ZhichunLu, Haidian District, Beijing, 100191 P. R. China
Tel: +86-10-8235-1155, Fax: +86-10-8235-7679

Renesas Electronics (Shanghai) Co., Ltd.
Unit 301, Tower A, Central Towers, 555 Langao Road, Putuo District, Shanghai, 200333 P. R. China
Tel: +86-21-2226-0888, Fax: +86-21-2226-0999

Renesas Electronics Hong Kong Limited
Unit 1601-1611, 16/F., Tower 2, Grand Century Place, 193 Prince Edward Road West, Mongkok, Kowloon, Hong Kong
Tel: +852-2265-6688, Fax: +852-2886-9022

Renesas Electronics Taiwan Co., Ltd.
13F, No. 363, Fu Shing North Road, Taipei 10543, Taiwan
Tel: +886-2-8175-9600, Fax: +886-2-8175-9670

Renesas Electronics Singapore Pte. Ltd.
80 Bendemeer Road, Unit #06-02 Hyflux Innovation Centre, Singapore 339949
Tel: +65-6213-0200, Fax: +65-6213-0300

Renesas Electronics Malaysia Sdn.Bhd.
Unit 1207, Block B, Menara Amcorp, Amcorp Trade Centre, No. 18, Jln Persiaran Barat, 46050 Petaling Jaya, Selangor Darul Ehsan, Malaysia
Tel: +60-3-7955-9390, Fax: +60-3-7955-9510

Renesas Electronics India Pvt. Ltd.
No.777C, 100 Feet Road, HAL 2nd Stage, Indiranagar, Bangalore 560 038, India
Tel: +91-80-67208700, Fax: +91-80-67208777

Renesas Electronics Korea Co., Ltd.
17F, KAMCO Yangjae Tower, 262, Gangnam-daero, Gangnam-gu, Seoul, 06265 Korea
Tel: +82-2-558-3737, Fax: +82-2-558-5338