

Overcoming Common Mode Range Issues when Using Renesas Integrating Converters

Introduction

Some applications which utilize Intersil’s integrating analog to digital converters may require a way to overcome Common Mode Range (CMR) issues that may arise. Intersil’s integrating analog to digital converters such as those listed in Table 1 operate consistently with an input which is within the CMR and the full-scale voltage set by the user. As a result, the converter’s full scale range may vary from 200mV to as much as 2V.

TABLE 1. INTERSIL INTEGRATING CONVERTERS

ICL7106	3 <sup>1</sup> / <sub>2</sub> Digit LCD Display ADC
ICL7107	3 <sup>1</sup> / <sub>2</sub> Digit LED Display ADC
ICL7136	3 <sup>1</sup> / <sub>2</sub> Digit LCD Low Power Display ADC with Overrange Recovery

Applications

Figure 1 illustrates a typical application for the ICL7107, 3<sup>1</sup>/<sub>2</sub> Digit LED Display ADC, using a single 5V supply and full scale range set to 200mV. Here, the IN LO input is tied to analog COMMON, and the differential input is measured with respect to it. Analog COMMON sets a voltage which is approximately 2.8V less than the positive supply, V+, when V+ to V- ≥ 6.8V. Here, V+ to V- = 5V, so a fixed 1.2V reference is used. The CMR is defined as:  $(V- + 1.0V) < V_{IN} < (V+ - 0.5V)$ . Not only does the input need to be within the common mode range, but also the full-scale range as well.

When operating these converters from a single supply and with an input voltage referenced to ground instead of COMMON, the designer can quickly run out of common mode range with which to work. In Figure 1, V+ = 5V and V- = 0V. V<sub>IN</sub> is limited to a common mode range of +1V to +4.5V, but has a full scale of 200mV. The 200mV full scale is below the common mode range of the device. Even if full-scale is adjusted to 2V, the full scale range of the device is limited to a 1V swing ranging from 1 to 2V.

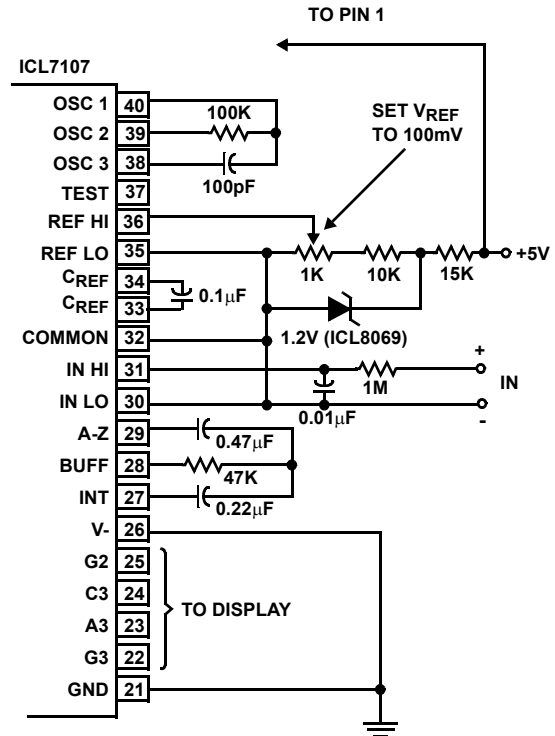


FIGURE 1. ICL7107 OPERATED FROM A SINGLE +5V SUPPLY

One solution is to separate COMMON and IN LO and tie IN LO to ground. The problem here is that gross errors can occur if IN LO is pulled too far from COMMON. A much better solution is to use a simple, non-inverting amplifier adder circuit as seen in Figure 2. A Intersil CA3130 operational amplifier was chosen because it operates from a single 5V supply, has rail-to-rail output swing and an input range that includes ground.

### Measuring the Supply Rail

In battery applications where a designer wishes to not only power the converter from a single supply, but also monitor and display the battery voltage, common mode range issues again arise. From the CMR equation we note that:

$$1V < V_{IN} < (V+ - 0.5V)$$

At first glance, it may seem that an easy solution would be to use a simple resistor voltage divider and reduce  $V_{IN}$  by a factor of 10, set full-scale to 2V and supply this to the ADC. For common battery voltages of 6V to 12V, the corresponding input voltages would be 0.6 to 1.2V. However, if we go back to the above common mode range equation, it states that  $V_{IN}$  must be greater than 1V. Figure 3 illustrates another operational amplifier configuration to solve this problem. Again a CA3130 was chosen because of its characteristics.

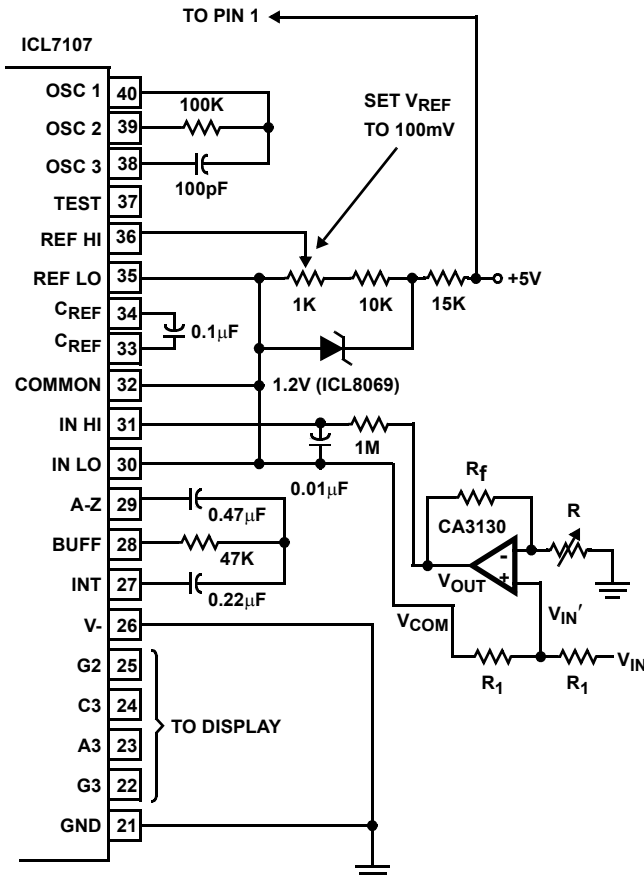


FIGURE 2. SIMPLE SUMMING AMP TO RESOLVE CMR PROBLEM

By analyzing the circuit in Figure 2, we see that:

$$V_{OUT} = \left(1 + \frac{R_f}{R}\right) \times V_{IN'} \quad (\text{EQ. 1})$$

where

$$V_{IN'} = \frac{1}{2}(V_{IN} + V_{COM}) \quad (\text{EQ. 2})$$

to define the operational amplifier output.

Substituting equation 2 into equation 1, and setting  $R_f = R$  yields:

$$V_{OUT} = 2 \left(\frac{1}{2}(V_{IN} + V_{COM})\right) = V_{IN} + V_{COM} \quad (\text{EQ. 3})$$

Using this circuit, the operational amplifier's output signal ( $V_{OUT}$ ) is now the sum of the incoming signal ( $V_{IN}$ ) and COMMON. In other words,  $V_{IN}$  is now referenced with respect to COMMON and not ground. With a single 5V supply, an external voltage reference must be used because the internal reference is only active when  $V+ \text{ to } V- \geq 6.8V$ , and  $V_{COM} = \text{COMMON} \cong V+ - 1.2V = 3.8V$ . The signal input to the ICL7107 will now be offset by 3.8V, which is well within the common mode range of the device. Even if  $V+$  changes, as in battery applications, COMMON will keep the signal within the common mode range of the converter.

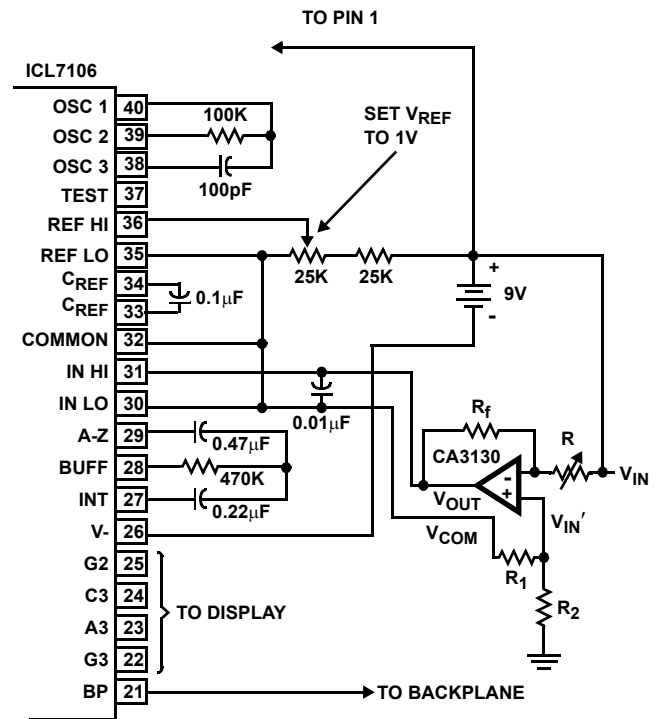


FIGURE 3. SIMPLE OP AMP CIRCUIT TO MEASURE SUPPLY RAIL (V+)

Here an ICL7106,  $3\frac{1}{2}$  Digit LCD Display ADC with full scale set to 2V is shown. In this circuit, the operational amplifier is set in an inverting gain configuration, because gains of 0.1 are desirable, and because we are only concerned with positive input voltages.

Again analyzing the operational amplifier configuration, we note that:

$$\frac{(V_{IN'} - V_{IN})}{R} = \frac{(V_{OUT} - V_{IN'})}{R_F} \quad (\text{EQ. 4})$$

and that:

$$V_{IN'} = V_{COM} \left( \frac{R_2}{R_1 + R_2} \right) \quad (\text{EQ. 5})$$

Setting  $R = 10R_F$ ,  $R_F = R_1$  and  $R_2 = 10R_1$ , the equations can be reduced to:

$$V_{IN'} - V_{IN} = 10(V_{OUT} - V_{IN'}) \quad (\text{EQ. 6})$$

and

$$V_{IN'} = \left( \frac{(10 \times V_{COM} \times R_1)}{11R_1} \right) = \frac{10V_{COM}}{11} \quad (\text{EQ. 7})$$

Combining equations 6 and 7 reveals that:

$$V_{OUT} = V_{COM} - \frac{V_{IN}}{10} \quad (\text{EQ. 8})$$

The output of the operational amplifier ( $V_{OUT}$ ), which is the input of the ADC, is now  $-0.1V_{IN}$  with respect to COMMON, and since  $V_{IN} = V_+$ , the ADC will measure -10% of the supply. Simply driving the proper decimal point and not driving the sign indicator will display the proper voltage. For example, a battery voltage of 11.6V will be measured as -1.16V and can easily be displayed as 11.60V on a  $3\frac{1}{2}$  Digit Display.

For more information on Intersil integrating analog to digital converters, please refer to the following data sheets:

**TABLE 2**

DEVICE	DESCRIPTION
ICL7106	$3\frac{1}{2}$ Digit LCD/LED Display ADC
ICL7107	$3\frac{1}{2}$ Digit LCD/LED Display ADC
ICL7136	$3\frac{1}{2}$ Digit LCD/LED Low Power Display ADC with Overrange Recovery

## Notice

1. Descriptions of circuits, software and other related information in this document are provided only to illustrate the operation of semiconductor products and application examples. You are fully responsible for the incorporation or any other use of the circuits, software, and information in the design of your product or system. Renesas Electronics disclaims any and all liability for any losses and damages incurred by you or third parties arising from the use of these circuits, software, or information.
2. Renesas Electronics hereby expressly disclaims any warranties against and liability for infringement or any other claims involving patents, copyrights, or other intellectual property rights of third parties, by or arising from the use of Renesas Electronics products or technical information described in this document, including but not limited to, the product data, drawings, charts, programs, algorithms, and application examples.
3. No license, express, implied or otherwise, is granted hereby under any patents, copyrights or other intellectual property rights of Renesas Electronics or others.
4. You shall not alter, modify, copy, or reverse engineer any Renesas Electronics product, whether in whole or in part. Renesas Electronics disclaims any and all liability for any losses or damages incurred by you or third parties arising from such alteration, modification, copying or reverse engineering.
5. Renesas Electronics products are classified according to the following two quality grades: "Standard" and "High Quality". The intended applications for each Renesas Electronics product depends on the product's quality grade, as indicated below.  
"Standard": Computers; office equipment; communications equipment; test and measurement equipment; audio and visual equipment; home electronic appliances; machine tools; personal electronic equipment; industrial robots; etc.  
"High Quality": Transportation equipment (automobiles, trains, ships, etc.); traffic control (traffic lights); large-scale communication equipment; key financial terminal systems; safety control equipment; etc.  
Unless expressly designated as a high reliability product or a product for harsh environments in a Renesas Electronics data sheet or other Renesas Electronics document, Renesas Electronics products are not intended or authorized for use in products or systems that may pose a direct threat to human life or bodily injury (artificial life support devices or systems; surgical implantations; etc.), or may cause serious property damage (space system; undersea repeaters; nuclear power control systems; aircraft control systems; key plant systems; military equipment; etc.). Renesas Electronics disclaims any and all liability for any damages or losses incurred by you or any third parties arising from the use of any Renesas Electronics product that is inconsistent with any Renesas Electronics data sheet, user's manual or other Renesas Electronics document.
6. When using Renesas Electronics products, refer to the latest product information (data sheets, user's manuals, application notes, "General Notes for Handling and Using Semiconductor Devices" in the reliability handbook, etc.), and ensure that usage conditions are within the ranges specified by Renesas Electronics with respect to maximum ratings, operating power supply voltage range, heat dissipation characteristics, installation, etc. Renesas Electronics disclaims any and all liability for any malfunctions, failure or accident arising out of the use of Renesas Electronics products outside of such specified ranges.
7. Although Renesas Electronics endeavors to improve the quality and reliability of Renesas Electronics products, semiconductor products have specific characteristics, such as the occurrence of failure at a certain rate and malfunctions under certain use conditions. Unless designated as a high reliability product or a product for harsh environments in a Renesas Electronics data sheet or other Renesas Electronics document, Renesas Electronics products are not subject to radiation resistance design. You are responsible for implementing safety measures to guard against the possibility of bodily injury, injury or damage caused by fire, and/or danger to the public in the event of a failure or malfunction of Renesas Electronics products, such as safety design for hardware and software, including but not limited to redundancy, fire control and malfunction prevention, appropriate treatment for aging degradation or any other appropriate measures. Because the evaluation of microcomputer software alone is very difficult and impractical, you are responsible for evaluating the safety of the final products or systems manufactured by you.
8. Please contact a Renesas Electronics sales office for details as to environmental matters such as the environmental compatibility of each Renesas Electronics product. You are responsible for carefully and sufficiently investigating applicable laws and regulations that regulate the inclusion or use of controlled substances, including without limitation, the EU RoHS Directive, and using Renesas Electronics products in compliance with all these applicable laws and regulations. Renesas Electronics disclaims any and all liability for damages or losses occurring as a result of your noncompliance with applicable laws and regulations.
9. Renesas Electronics products and technologies shall not be used for or incorporated into any products or systems whose manufacture, use, or sale is prohibited under any applicable domestic or foreign laws or regulations. You shall comply with any applicable export control laws and regulations promulgated and administered by the governments of any countries asserting jurisdiction over the parties or transactions.
10. It is the responsibility of the buyer or distributor of Renesas Electronics products, or any other party who distributes, disposes of, or otherwise sells or transfers the product to a third party, to notify such third party in advance of the contents and conditions set forth in this document.
11. This document shall not be reprinted, reproduced or duplicated in any form, in whole or in part, without prior written consent of Renesas Electronics.
12. Please contact a Renesas Electronics sales office if you have any questions regarding the information contained in this document or Renesas Electronics products.  
(Note 1) "Renesas Electronics" as used in this document means Renesas Electronics Corporation and also includes its directly or indirectly controlled subsidiaries.  
(Note 2) "Renesas Electronics product(s)" means any product developed or manufactured by or for Renesas Electronics.

(Rev.4.0-1 November 2017)



### SALES OFFICES

Renesas Electronics Corporation

<http://www.renesas.com>

Refer to "<http://www.renesas.com/>" for the latest and detailed information.

**Renesas Electronics America Inc.**  
1001 Murphy Ranch Road, Milpitas, CA 95035, U.S.A.  
Tel: +1-408-432-8888, Fax: +1-408-434-5351

**Renesas Electronics Canada Limited**  
9251 Yonge Street, Suite 8309 Richmond Hill, Ontario Canada L4C 9T3  
Tel: +1-905-237-2004

**Renesas Electronics Europe Limited**  
Dukes Meadow, Millboard Road, Bourne End, Buckinghamshire, SL8 5FH, U.K.  
Tel: +44-1628-651-700, Fax: +44-1628-651-804

**Renesas Electronics Europe GmbH**  
Arcadiastrasse 10, 40472 Düsseldorf, Germany  
Tel: +49-211-6503-0, Fax: +49-211-6503-1327

**Renesas Electronics (China) Co., Ltd.**  
Room 1709 Quantum Plaza, No.27 ZhichunLu, Haidian District, Beijing, 100191 P. R. China  
Tel: +86-10-8235-1155, Fax: +86-10-8235-7679

**Renesas Electronics (Shanghai) Co., Ltd.**  
Unit 301, Tower A, Central Towers, 555 Langao Road, Putuo District, Shanghai, 200333 P. R. China  
Tel: +86-21-2226-0888, Fax: +86-21-2226-0999

**Renesas Electronics Hong Kong Limited**  
Unit 1601-1611, 16/F., Tower 2, Grand Century Place, 193 Prince Edward Road West, Mongkok, Kowloon, Hong Kong  
Tel: +852-2265-6688, Fax: +852-2886-9022

**Renesas Electronics Taiwan Co., Ltd.**  
13F, No. 363, Fu Shing North Road, Taipei 10543, Taiwan  
Tel: +886-2-8175-9600, Fax: +886-2-8175-9670

**Renesas Electronics Singapore Pte. Ltd.**  
80 Bendemeer Road, Unit #06-02 Hyflux Innovation Centre, Singapore 339949  
Tel: +65-6213-0200, Fax: +65-6213-0300

**Renesas Electronics Malaysia Sdn.Bhd.**  
Unit 1207, Block B, Menara Amcorp, Amcorp Trade Centre, No. 18, Jln Persiaran Barat, 46050 Petaling Jaya, Selangor Darul Ehsan, Malaysia  
Tel: +60-3-7955-9390, Fax: +60-3-7955-9510

**Renesas Electronics India Pvt. Ltd.**  
No.777C, 100 Feet Road, HAL 2nd Stage, Indiranagar, Bangalore 560 038, India  
Tel: +91-80-67208700, Fax: +91-80-67208777

**Renesas Electronics Korea Co., Ltd.**  
17F, KAMCO Yangjae Tower, 262, Gangnam-daero, Gangnam-gu, Seoul, 06265 Korea  
Tel: +82-2-558-3737, Fax: +82-2-558-5338