

Introduction

The purpose of this application note is to inform the system designer how to use the HI7190 with a multiplexer. This will enable the designer to perform a high precision 24-bit analog to digital conversion using one sigma delta converter with four fully differential inputs which are individually selectable. Each channel may have a unique gain and filter response as defined by the HI7190 Control Register (CR). Refer to [1] for a complete HI7190 description.

Functional Description

The HI7190 multiplexing circuit is shown in Figure 2. This includes a HI539 4 channel differential multiplexer, two HA5127 single channel ultra-low noise operational amplifiers (op amps) and the HI7190 Sigma-Delta A/D converter.

A fully differential circuit was used to offer the greatest amount of noise immunity and common mode rejection. This type of circuit will only measure the difference between the HI and LO inputs. Noise voltage which is common to both signal lines will cancel out in this balanced differential amplifier. In addition, common mode voltages appearing at the inputs will also be rejected based on the amplifiers Common Mode Rejection Ratio (CMRR). Although differential inputs minimize the effects of noise, proper signal conditioning should be performed (i.e., twisted-pair, isolation, filtering).

The inputs of this circuit begin at the HI539 which is a 4 channel differential multiplexer that has been optimized for low level differential signals. The user selects one of the 4 input channels, labeled CH1 to CH4, based on the multiplexer address A₀ and A₁ (see Table 1 for the address decode). The differential multiplexer outputs labeled OUTA and OUTB are then connected to the non inverting inputs to the HA5127 operational amplifiers. The op amps are used in unity gain to buffer the inputs of the HI7190 and to reduce the loading of the differential input signals being measured. The op amp has been designed for ultra-noise (3nV/√Hz) applications and a high CMRR (126dB).

TABLE 1. CHANNEL DECODE

A ₁	A ₀	SELECTED CHANNEL
0	0	1
0	1	2
1	0	3
1	1	4

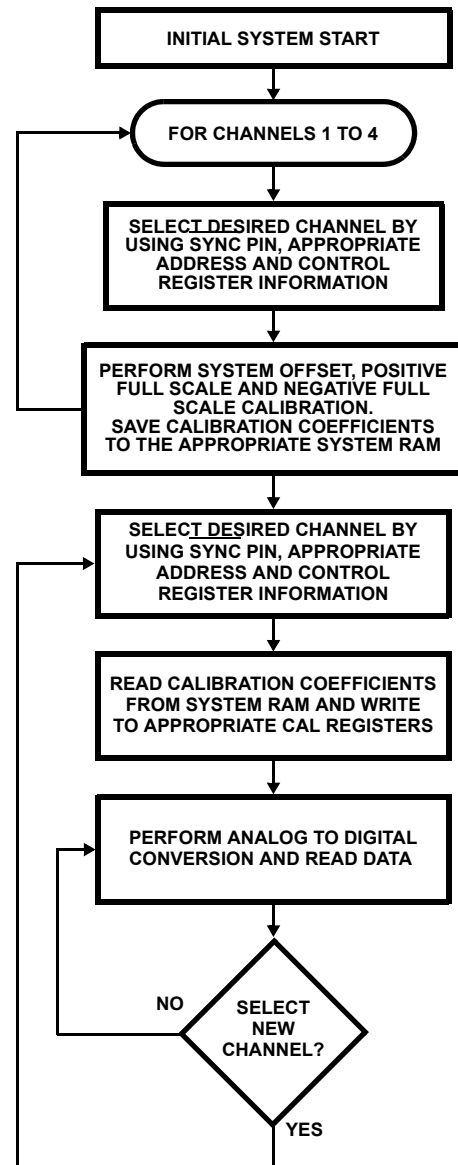


FIGURE 1. SYSTEM FLOW CHART

NOTE: Any change in ambient temperature, supply voltage or channel programming (outside of original channel calibration) the user should begin at the "initial system start" block.

Power Supplies

This application circuit is designed to use $\pm 5V$ for the HI7190 supply and $\pm 10V$ for the multiplexer and op amps. With these increased op amp supplies, care should be taken to ensure the inputs of the HI7190 do not exceed the HI7190 supplies, or permanent damage may occur.

System Flow and Control

The system flow chart is shown in Figure 1. The details of calibration and channel selection are described in the following sections.

Calibration

The HI7190 has the ability to null any system offset errors and generate the positive and negative gain slope factors for the transfer function of the converter. The system offset and gain errors are nulled by performing a three point calibration which involves recording conversion results for three different input conditions - "zero-scale," "positive full-scale," and "negative full-scale".

Calibration should be performed for EACH of the four channels to null out the individual channel errors with the results stored in the microprocessor memory. When the user switches channels during normal conversions, the calibration coefficients should be read from the microprocessor memory and written back to the HI7190. In addition, the user may have unique gain and filter performance for each channel and restore during the switch. A calibration routine should be initiated whenever there is a change in the ambient operating temperature, supply voltage or any change in the gain, bipolar, or unipolar input range.

Conversion Time

The throughput of the multiplexing application is dependent upon many factors including the programmed notch frequency, input level, settling time of the multiplexer and op amps, serial interface clock and the SYNC pin. The SYNC pin guarantees a maximum settling time of 3 conversion periods when switching channels of the multiplexer.

The programmed notch frequency defines the number of possible conversions per second. With the default 10MHz crystal the possible notch frequency/conversion rate is 10 to 2000 per second. The input level greatly effects the settling time of the multiplexer, op amps and HI7190. As described in the HI539 and HA5127 datasheets, the multiplexer settles in $0.9\mu s$ (0.01%) and op amps settle in $1.5\mu s$ (0.1%). The serial interface clock (SCLK) will define the speed of the bit transfer when reading the Control Register and calibration coefficients back to the HI7190 for EACH channel. An active low on the SYNC pin is used to reset the modulator and place it in a stand-by mode (not converting) until the pin is returned to high state.

Control/Timing Sequence

To maximize the conversion throughput of this application the user would apply an active low to the SYNC pin, change the multiplexer address, write the new channel Control Register and calibration coefficients and return the SYNC pin high. Please refer to Figure 3. Below are examples of minimum and maximum conversion rates, assuming a constant channel switching.

Example 1

The notch frequency is programmed for 10Hz, each channel has a unique Control Register (CR), SCLK is in the internal mode of 1.25MHz. The user applies an active low to the SYNC pin and changes the multiplexer address. To obtain the new channel information the following bits are transferred from the microprocessor memory. Please refer to the HI7190 datasheet for details of the Serial Interface.

NUMBER OF BITS	REGISTER	COMMENTS
8	IR	Defines pending 3 byte CR write
24	CR	Reprograms the HI7190
8	IR	Defines pending 3 byte offset calibration RAM write
24	OC RAM	Offset calibration coefficients
8	IR	Defines pending 3 byte FS + calibration RAM write
24	FS + RAM	Full scale calibration coefficients
8	IR	Defines pending 3 byte FS - calibration RAM write
24	FS + RAM	Full scale calibration coefficients
128		Total

Given a 1.25MHz SCLK, the bit transfer = $1/SCLK = 800ns$. The "reprogramming" would take $800ns \times 128 \text{ bits} = 102\mu s$. The SYNC pin can then be returned high since the multiplexer and op amps only needed $0.75\mu s$ to switch and $2.4\mu s$ to settle but are provided $102\mu s$.

The potential programmed conversion rate of 10Hz equates to 10 conversions per second or one conversion every 100ms; thus implies the $102\mu s$ to settle the multiplexer, op amp and reprogramming are negligible. With three conversions needed to stabilize the HI7190, valid results would be available after 300ms. The conversion rate is then 1/300ms or 3.3 conversions per second.

Example 2

The notch frequency is programmed for 2kHz, each channel has a unique Control Register, SCLK is in the external mode with the maximum of 5MHz. The user applies an active low to the SYNC pin and changes the multiplexer address. To obtain the new channel information the same 128 bits as described in example 1 are transferred from the microprocessor memory.

Given a 5MHz SCLK the bit transfer = $1/SCLK = 200ns$. The "reprogramming" would take $200ns \times 128 \text{ bits} = 26\mu s$. The SYNC pin can then be returned high since the multiplexer and op amps only need $0.75\mu s$ to switch and $2.4\mu s$ to settle but are provided $26\mu s$.

The potential programmed conversion rate of 2kHz equates to 2000 conversions per second or one conversion every $500\mu s$, again implies the $26\mu s$ to settle the multiplexer, op amp and reprogramming is negligible.

With three conversions needed to stabilize the HI7190, valid results would be available after 1.5ms. The conversion rate is then 1/1.5ms or 667 conversions per second.

Reference

[1] HI7190 Data Sheet, FN3612, Intersil Corporation

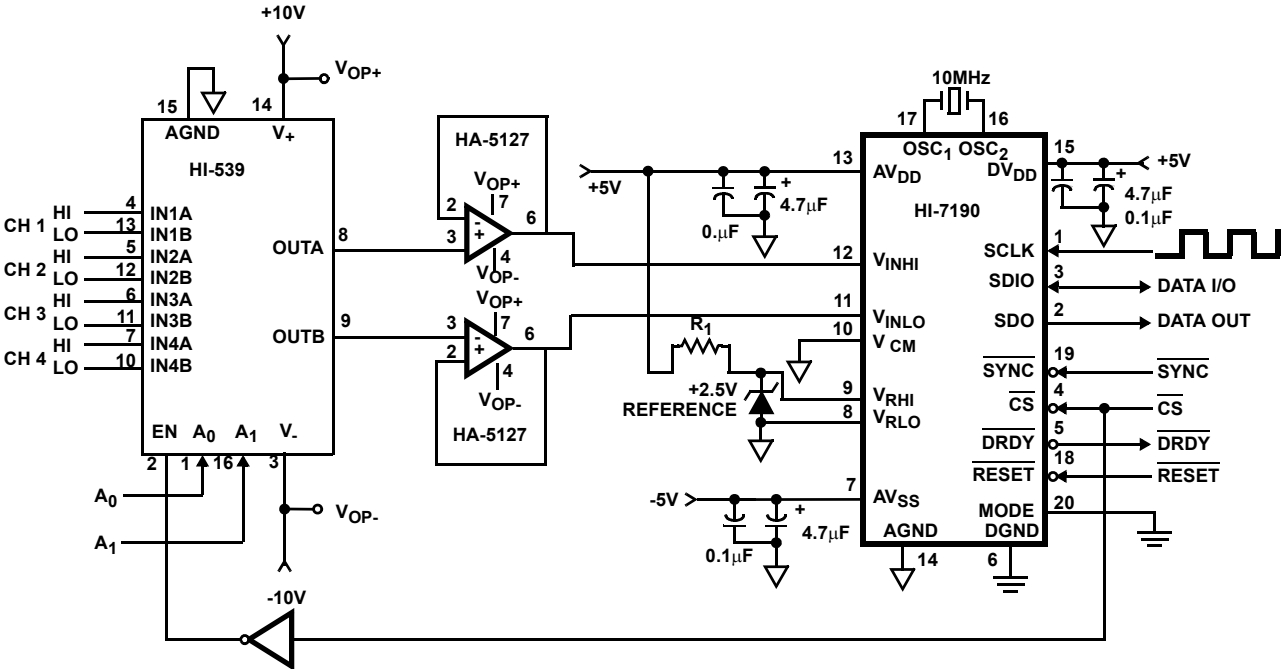


FIGURE 2. MULTIPLEXING CIRCUIT

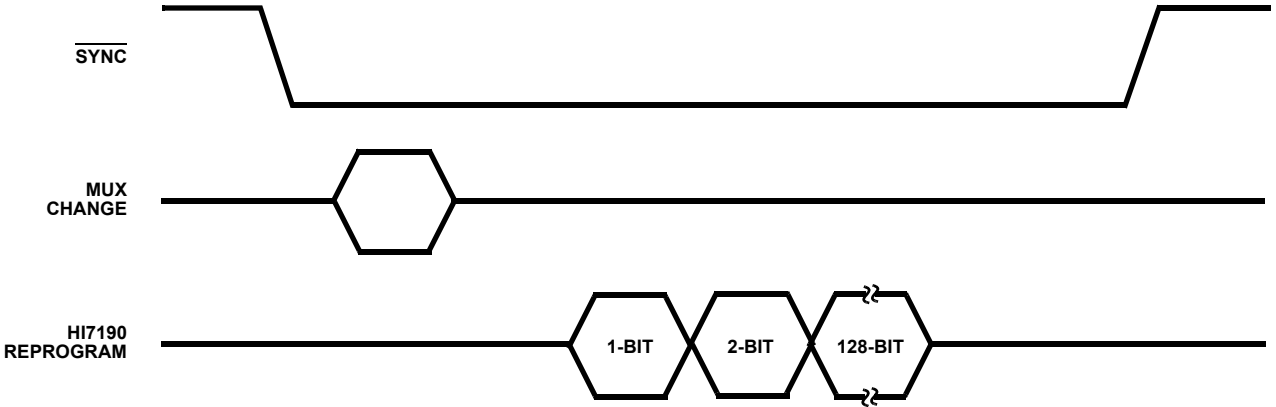


FIGURE 3. CONTROL SEQUENCE

Notice

1. Descriptions of circuits, software and other related information in this document are provided only to illustrate the operation of semiconductor products and application examples. You are fully responsible for the incorporation or any other use of the circuits, software, and information in the design of your product or system. Renesas Electronics disclaims any and all liability for any losses and damages incurred by you or third parties arising from the use of these circuits, software, or information.
2. Renesas Electronics hereby expressly disclaims any warranties against and liability for infringement or any other claims involving patents, copyrights, or other intellectual property rights of third parties, by or arising from the use of Renesas Electronics products or technical information described in this document, including but not limited to, the product data, drawings, charts, programs, algorithms, and application examples.
3. No license, express, implied or otherwise, is granted hereby under any patents, copyrights or other intellectual property rights of Renesas Electronics or others.
4. You shall not alter, modify, copy, or reverse engineer any Renesas Electronics product, whether in whole or in part. Renesas Electronics disclaims any and all liability for any losses or damages incurred by you or third parties arising from such alteration, modification, copying or reverse engineering.
5. Renesas Electronics products are classified according to the following two quality grades: "Standard" and "High Quality". The intended applications for each Renesas Electronics product depends on the product's quality grade, as indicated below.
"Standard": Computers; office equipment; communications equipment; test and measurement equipment; audio and visual equipment; home electronic appliances; machine tools; personal electronic equipment; industrial robots; etc.
"High Quality": Transportation equipment (automobiles, trains, ships, etc.); traffic control (traffic lights); large-scale communication equipment; key financial terminal systems; safety control equipment; etc.
Unless expressly designated as a high reliability product or a product for harsh environments in a Renesas Electronics data sheet or other Renesas Electronics document, Renesas Electronics products are not intended or authorized for use in products or systems that may pose a direct threat to human life or bodily injury (artificial life support devices or systems; surgical implantations; etc.), or may cause serious property damage (space system; undersea repeaters; nuclear power control systems; aircraft control systems; key plant systems; military equipment; etc.). Renesas Electronics disclaims any and all liability for any damages or losses incurred by you or any third parties arising from the use of any Renesas Electronics product that is inconsistent with any Renesas Electronics data sheet, user's manual or other Renesas Electronics document.
6. When using Renesas Electronics products, refer to the latest product information (data sheets, user's manuals, application notes, "General Notes for Handling and Using Semiconductor Devices" in the reliability handbook, etc.), and ensure that usage conditions are within the ranges specified by Renesas Electronics with respect to maximum ratings, operating power supply voltage range, heat dissipation characteristics, installation, etc. Renesas Electronics disclaims any and all liability for any malfunctions, failure or accident arising out of the use of Renesas Electronics products outside of such specified ranges.
7. Although Renesas Electronics endeavors to improve the quality and reliability of Renesas Electronics products, semiconductor products have specific characteristics, such as the occurrence of failure at a certain rate and malfunctions under certain use conditions. Unless designated as a high reliability product or a product for harsh environments in a Renesas Electronics data sheet or other Renesas Electronics document, Renesas Electronics products are not subject to radiation resistance design. You are responsible for implementing safety measures to guard against the possibility of bodily injury, injury or damage caused by fire, and/or danger to the public in the event of a failure or malfunction of Renesas Electronics products, such as safety design for hardware and software, including but not limited to redundancy, fire control and malfunction prevention, appropriate treatment for aging degradation or any other appropriate measures. Because the evaluation of microcomputer software alone is very difficult and impractical, you are responsible for evaluating the safety of the final products or systems manufactured by you.
8. Please contact a Renesas Electronics sales office for details as to environmental matters such as the environmental compatibility of each Renesas Electronics product. You are responsible for carefully and sufficiently investigating applicable laws and regulations that regulate the inclusion or use of controlled substances, including without limitation, the EU RoHS Directive, and using Renesas Electronics products in compliance with all these applicable laws and regulations. Renesas Electronics disclaims any and all liability for damages or losses occurring as a result of your noncompliance with applicable laws and regulations.
9. Renesas Electronics products and technologies shall not be used for or incorporated into any products or systems whose manufacture, use, or sale is prohibited under any applicable domestic or foreign laws or regulations. You shall comply with any applicable export control laws and regulations promulgated and administered by the governments of any countries asserting jurisdiction over the parties or transactions.
10. It is the responsibility of the buyer or distributor of Renesas Electronics products, or any other party who distributes, disposes of, or otherwise sells or transfers the product to a third party, to notify such third party in advance of the contents and conditions set forth in this document.
11. This document shall not be reprinted, reproduced or duplicated in any form, in whole or in part, without prior written consent of Renesas Electronics.
12. Please contact a Renesas Electronics sales office if you have any questions regarding the information contained in this document or Renesas Electronics products.
(Note 1) "Renesas Electronics" as used in this document means Renesas Electronics Corporation and also includes its directly or indirectly controlled subsidiaries.
(Note 2) "Renesas Electronics product(s)" means any product developed or manufactured by or for Renesas Electronics.

(Rev.4.0-1 November 2017)



SALES OFFICES

Renesas Electronics Corporation

<http://www.renesas.com>

Refer to "<http://www.renesas.com/>" for the latest and detailed information.

Renesas Electronics America Inc.
1001 Murphy Ranch Road, Milpitas, CA 95035, U.S.A.
Tel: +1-408-432-8888, Fax: +1-408-434-5351

Renesas Electronics Canada Limited
9251 Yonge Street, Suite 8309 Richmond Hill, Ontario Canada L4C 9T3
Tel: +1-905-237-2004

Renesas Electronics Europe Limited
Dukes Meadow, Millboard Road, Bourne End, Buckinghamshire, SL8 5FH, U.K
Tel: +44-1628-651-700, Fax: +44-1628-651-804

Renesas Electronics Europe GmbH
Arcadiastrasse 10, 40472 Düsseldorf, Germany
Tel: +49-211-6503-0, Fax: +49-211-6503-1327

Renesas Electronics (China) Co., Ltd.
Room 1709 Quantum Plaza, No.27 ZhichunLu, Haidian District, Beijing, 100191 P. R. China
Tel: +86-10-8235-1155, Fax: +86-10-8235-7679

Renesas Electronics (Shanghai) Co., Ltd.
Unit 301, Tower A, Central Towers, 555 Langao Road, Putuo District, Shanghai, 200333 P. R. China
Tel: +86-21-2226-0888, Fax: +86-21-2226-0999

Renesas Electronics Hong Kong Limited
Unit 1601-1611, 16/F., Tower 2, Grand Century Place, 193 Prince Edward Road West, Mongkok, Kowloon, Hong Kong
Tel: +852-2265-6688, Fax: +852-2886-9022

Renesas Electronics Taiwan Co., Ltd.
13F, No. 363, Fu Shing North Road, Taipei 10543, Taiwan
Tel: +886-2-8175-9600, Fax: +886-2-8175-9670

Renesas Electronics Singapore Pte. Ltd.
80 Bendemeer Road, Unit #06-02 Hyflux Innovation Centre, Singapore 339949
Tel: +65-6213-0200, Fax: +65-6213-0300

Renesas Electronics Malaysia Sdn.Bhd.
Unit 1207, Block B, Menara Amcorp, Amcorp Trade Centre, No. 18, Jln Persiaran Barat, 46050 Petaling Jaya, Selangor Darul Ehsan, Malaysia
Tel: +60-3-7955-9390, Fax: +60-3-7955-9510

Renesas Electronics India Pvt. Ltd.
No.777C, 100 Feet Road, HAL 2nd Stage, Indiranagar, Bangalore 560 038, India
Tel: +91-80-67208700, Fax: +91-80-67208777

Renesas Electronics Korea Co., Ltd.
17F, KAMCO Yangjae Tower, 262, Gangnam-daero, Gangnam-gu, Seoul, 06265 Korea
Tel: +82-2-558-3737, Fax: +82-2-558-5338