

Introduction

The ISL55016 Silicon Bipolar amplifier can match a 75Ω single-ended source to a 100Ω differential load. This feature makes the ISL55016 ideal for a radios where the tuner chip has a differential input, such as Satellite TV. Here we will introduce the application circuit and discuss the advantages of this part. Specifically, the differential nature of the output removes the need for a balun, which improves both board area and frequency response.

The ISL55012 is a predecessor to the ISL55016. It has similar functions with the exception of the output, which is limited to single-ended operation. We will discuss using the ISL55016 to substitute for the ISL55012 with a balun structure.

Balun

A balun is a passive structure which converts between balanced and unbalanced electrical signals (Figure 1). Some normal balun structures include classical transformers, transmission line baluns and 180° power divider/combiners.

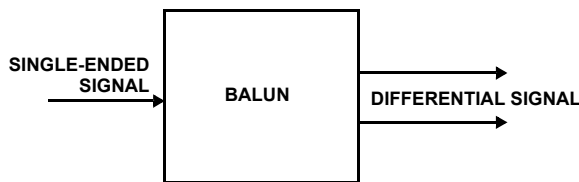


FIGURE 1. BLOCK DIAGRAM OF A BALUN

Typical Application Circuit

The ISL55016 is a true differential amplifier and doesn't need a balun. Figure 2 shows the typical application circuit of ISL55016.

The ISL55016 can be used as a single-ended input. Pin 2 and Pin 3 are equivalent. Either one can be used as the input; the other one needs to be connected to an AC Ground. The input is internally matched to 75Ω single-ended and the output is matched to 50Ω single-ended or 100Ω differentially.

The ISL55016 can be used as differential-in and differential-out as well since Pin 2 and Pin 3 are equivalent, balanced inputs.

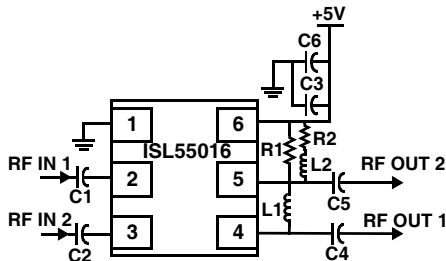


FIGURE 2. APPLICATION CIRCUIT

Impact of Balun on Layout

In contrast with the ISL55016 is its predecessor, the ISL55012. The amplifier will be followed with a Balun structure to transfer the single-ended signal to a differential tuner. The ISL55016 can be used to substitute the Balun Structure and LNA to save PCB space and components (Figure 3). The differential capabilities of the ISL55016 allow a reduction in excess of 50%.

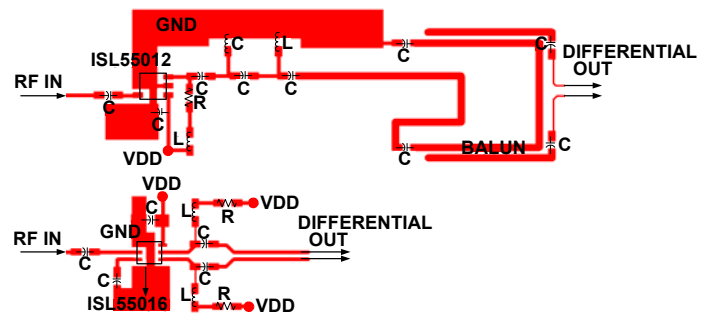


FIGURE 3. COMPARISON OF THE LAYOUTS OF HE ISL55012 WITH A BALUN AND THE ISL55016 (RELATIVE SIZE)

Figure 4 shows gain measured for the ISL55016 and ISL55012 with a transmission line balun on a customer board as shown in Figure 3. One of the design goals of the ISL55016 is to provide gain no less than the ISL55012 at 0.5GHz to 2GHz. Also the ISL55016 can be used at low frequency down to 50MHz, where the ISL55012 can not work well.

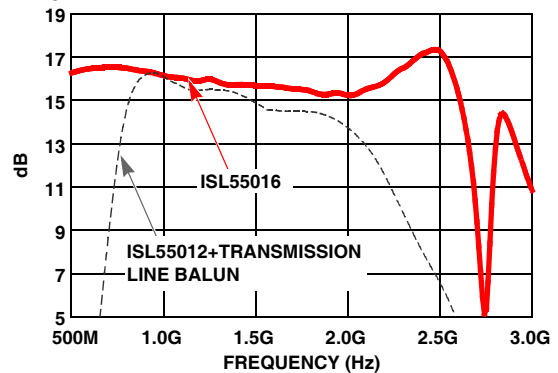


FIGURE 4. GAIN OF ISL55012 WITH A TRANSMISSION LINE BALUN vs ISL55016

The ISL55016 shows a little higher gain than the ISL55012 with balun structure. In this way, Figure 4 shows the realization of the ISL55016 as a single-ended to differential converter.

Trade-off Between Power and OIP2

Once the signal is truly balanced, even order distortion drops to zero. The ISL55016 converts the signal to differential early in its signal path thus reducing second order distortion and boosting OIP2. Nevertheless, the ISL55016 does generate

some even order distortion because of the asymmetric loading of its input and improving the device linearity will improve OIP2. The values of R1 and R2 (Figure 1) have been characterized for two options, 27Ω and 0Ω. Decreasing the R1 and R2 value will increase the voltage across the output transistor leading to an increase in the dissipation power. At the same time, it will increase the amplitude of the compression and OIP2, OIP3. This allows a trade-off between the power dissipation and the distortion.

Matching at the Input and Output

In PCB layout design, a matching network is needed, especially at the input. The Figure 5 shows the matching network used for the ISL55016 Evaluation Board. 12mm of 100Ω trace and 8mm of 50Ω trace are used to form the input matching network while 4mm of 100Ω trace forms the output matching network on the FR4 material.

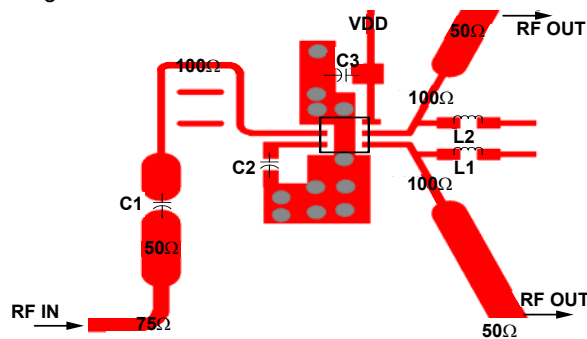


FIGURE 5. PCB LAYOUT OF MATCHING NETWORK

Figure 6 shows the improvement in input matching (S11) provided by this network of traces. At 2GHz, the input match is improved 3dB and remains below a -10dB level.

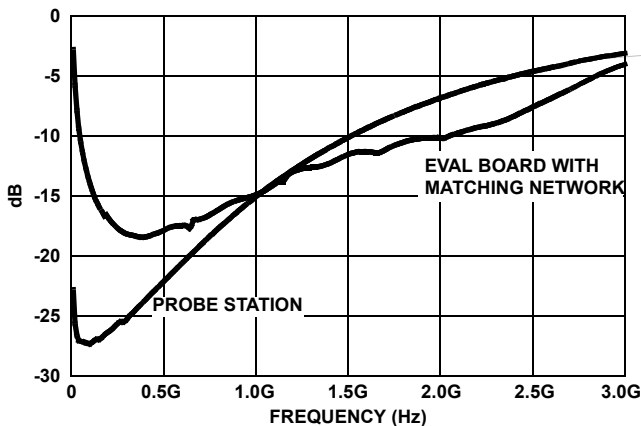


FIGURE 6. |S11| vs FREQUENCY

Thermal Management

The power dissipation of ISL55016 is about 500mW. The PCB layout shown in Figure 5 provides the good thermal connectivity between the device back plate and the main ground plane, hence the copper and vias holes are needed on either side of the chip. So via holes have two functions to perform, providing a good RF ground for C2, C3 and back plate and providing a low thermal conductivity to the ground plane which dispenses the heat.

Choices of Components

ISL55016 is designed for wide bandwidth Applications, 50MHz-3GHz. The decoupling and RF choke components should be chosen carefully for different frequency applications. Tables 1 and 2 list the component information for the Evaluation Board.

TABLE 1. LIST OF COMPONENTS (50MHz~300MHz)

FREQUENCY BAND	VALUE	DESCRIPTION/DIMENSIONS
C1, C2	2200pF	0603
C4, C5	2200pF	0603
L1, L2	2.2μH	Multilayer Ferrite/0603
C3	1nF	0603
C6	0.1μF	1206
R1, R2	27Ω/0Ω	0402

TABLE 2. LIST OF COMPONENTS (300MHz~3GHz)

FREQUENCY BAND	VALUE	DESCRIPTION/DIMENSIONS
C1, C2	100pF	0603
C4, C5	100pF	0603
L1, L2	100nH	Surface Mount/0402
C3	100pF	0603
C6	0.1μF	1206
R1, R2	27Ω/0Ω	0402

Notice

1. Descriptions of circuits, software and other related information in this document are provided only to illustrate the operation of semiconductor products and application examples. You are fully responsible for the incorporation or any other use of the circuits, software, and information in the design of your product or system. Renesas Electronics disclaims any and all liability for any losses and damages incurred by you or third parties arising from the use of these circuits, software, or information.
2. Renesas Electronics hereby expressly disclaims any warranties against and liability for infringement or any other claims involving patents, copyrights, or other intellectual property rights of third parties, by or arising from the use of Renesas Electronics products or technical information described in this document, including but not limited to, the product data, drawings, charts, programs, algorithms, and application examples.
3. No license, express, implied or otherwise, is granted hereby under any patents, copyrights or other intellectual property rights of Renesas Electronics or others.
4. You shall not alter, modify, copy, or reverse engineer any Renesas Electronics product, whether in whole or in part. Renesas Electronics disclaims any and all liability for any losses or damages incurred by you or third parties arising from such alteration, modification, copying or reverse engineering.
5. Renesas Electronics products are classified according to the following two quality grades: "Standard" and "High Quality". The intended applications for each Renesas Electronics product depends on the product's quality grade, as indicated below.
"Standard": Computers; office equipment; communications equipment; test and measurement equipment; audio and visual equipment; home electronic appliances; machine tools; personal electronic equipment; industrial robots; etc.
"High Quality": Transportation equipment (automobiles, trains, ships, etc.); traffic control (traffic lights); large-scale communication equipment; key financial terminal systems; safety control equipment; etc.
Unless expressly designated as a high reliability product or a product for harsh environments in a Renesas Electronics data sheet or other Renesas Electronics document, Renesas Electronics products are not intended or authorized for use in products or systems that may pose a direct threat to human life or bodily injury (artificial life support devices or systems; surgical implantations; etc.), or may cause serious property damage (space system; undersea repeaters; nuclear power control systems; aircraft control systems; key plant systems; military equipment; etc.). Renesas Electronics disclaims any and all liability for any damages or losses incurred by you or any third parties arising from the use of any Renesas Electronics product that is inconsistent with any Renesas Electronics data sheet, user's manual or other Renesas Electronics document.
6. When using Renesas Electronics products, refer to the latest product information (data sheets, user's manuals, application notes, "General Notes for Handling and Using Semiconductor Devices" in the reliability handbook, etc.), and ensure that usage conditions are within the ranges specified by Renesas Electronics with respect to maximum ratings, operating power supply voltage range, heat dissipation characteristics, installation, etc. Renesas Electronics disclaims any and all liability for any malfunctions, failure or accident arising out of the use of Renesas Electronics products outside of such specified ranges.
7. Although Renesas Electronics endeavors to improve the quality and reliability of Renesas Electronics products, semiconductor products have specific characteristics, such as the occurrence of failure at a certain rate and malfunctions under certain use conditions. Unless designated as a high reliability product or a product for harsh environments in a Renesas Electronics data sheet or other Renesas Electronics document, Renesas Electronics products are not subject to radiation resistance design. You are responsible for implementing safety measures to guard against the possibility of bodily injury, injury or damage caused by fire, and/or danger to the public in the event of a failure or malfunction of Renesas Electronics products, such as safety design for hardware and software, including but not limited to redundancy, fire control and malfunction prevention, appropriate treatment for aging degradation or any other appropriate measures. Because the evaluation of microcomputer software alone is very difficult and impractical, you are responsible for evaluating the safety of the final products or systems manufactured by you.
8. Please contact a Renesas Electronics sales office for details as to environmental matters such as the environmental compatibility of each Renesas Electronics product. You are responsible for carefully and sufficiently investigating applicable laws and regulations that regulate the inclusion or use of controlled substances, including without limitation, the EU RoHS Directive, and using Renesas Electronics products in compliance with all these applicable laws and regulations. Renesas Electronics disclaims any and all liability for damages or losses occurring as a result of your noncompliance with applicable laws and regulations.
9. Renesas Electronics products and technologies shall not be used for or incorporated into any products or systems whose manufacture, use, or sale is prohibited under any applicable domestic or foreign laws or regulations. You shall comply with any applicable export control laws and regulations promulgated and administered by the governments of any countries asserting jurisdiction over the parties or transactions.
10. It is the responsibility of the buyer or distributor of Renesas Electronics products, or any other party who distributes, disposes of, or otherwise sells or transfers the product to a third party, to notify such third party in advance of the contents and conditions set forth in this document.
11. This document shall not be reprinted, reproduced or duplicated in any form, in whole or in part, without prior written consent of Renesas Electronics.
12. Please contact a Renesas Electronics sales office if you have any questions regarding the information contained in this document or Renesas Electronics products.
(Note 1) "Renesas Electronics" as used in this document means Renesas Electronics Corporation and also includes its directly or indirectly controlled subsidiaries.
(Note 2) "Renesas Electronics product(s)" means any product developed or manufactured by or for Renesas Electronics.

(Rev.4.0-1 November 2017)



SALES OFFICES

Renesas Electronics Corporation

<http://www.renesas.com>

Refer to "<http://www.renesas.com/>" for the latest and detailed information.

Renesas Electronics America Inc.

1001 Murphy Ranch Road, Milpitas, CA 95035, U.S.A.
Tel: +1-408-432-8888, Fax: +1-408-434-5351

Renesas Electronics Canada Limited

9251 Yonge Street, Suite 8309 Richmond Hill, Ontario Canada L4C 9T3
Tel: +1-905-237-2004

Renesas Electronics Europe Limited

Dukes Meadow, Millboard Road, Bourne End, Buckinghamshire, SL8 5FH, U.K
Tel: +44-1628-651-700, Fax: +44-1628-651-804

Renesas Electronics Europe GmbH

Arcadiastrasse 10, 40472 Düsseldorf, Germany
Tel: +49-211-6503-0, Fax: +49-211-6503-1327

Renesas Electronics (China) Co., Ltd.

Room 1709 Quantum Plaza, No.27 ZhichunLu, Haidian District, Beijing, 100191 P. R. China
Tel: +86-10-8235-1155, Fax: +86-10-8235-7679

Renesas Electronics (Shanghai) Co., Ltd.

Unit 301, Tower A, Central Towers, 555 Langao Road, Putuo District, Shanghai, 200333 P. R. China
Tel: +86-21-2226-0888, Fax: +86-21-2226-0999

Renesas Electronics Hong Kong Limited

Unit 1601-1611, 16/F., Tower 2, Grand Century Place, 193 Prince Edward Road West, Mongkok, Kowloon, Hong Kong
Tel: +852-2265-6688, Fax: +852 2886-9022

Renesas Electronics Taiwan Co., Ltd.

13F, No. 363, Fu Shing North Road, Taipei 10543, Taiwan
Tel: +886-2-8175-9600, Fax: +886 2-8175-9670

Renesas Electronics Singapore Pte. Ltd.

80 Bendemeer Road, Unit #06-02 Hyflux Innovation Centre, Singapore 339949
Tel: +65-6213-0200, Fax: +65-6213-0300

Renesas Electronics Malaysia Sdn.Bhd.

Unit 1207, Block B, Menara Amcorp, Amcorp Trade Centre, No. 18, Jln Persiaran Barat, 46050 Petaling Jaya, Selangor Darul Ehsan, Malaysia
Tel: +60-3-7955-9390, Fax: +60-3-7955-9510

Renesas Electronics India Pvt. Ltd.

No.777C, 100 Feet Road, HAL 2nd Stage, Indiranagar, Bangalore 560 038, India
Tel: +91-80-67208700, Fax: +91-80-67208777

Renesas Electronics Korea Co., Ltd.

17F, KAMCO Yangjae Tower, 262, Gangnam-daero, Gangnam-gu, Seoul, 06265 Korea
Tel: +82-2-558-3737, Fax: +82-2-558-5338