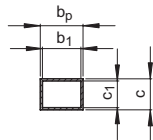
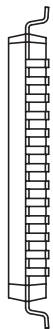
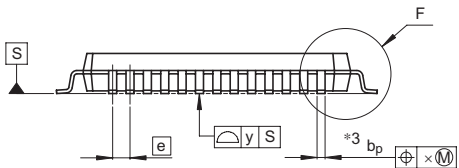
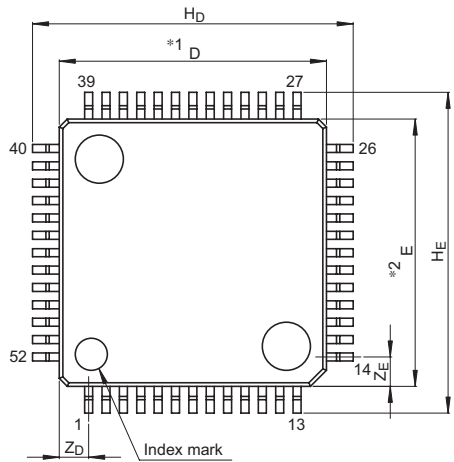
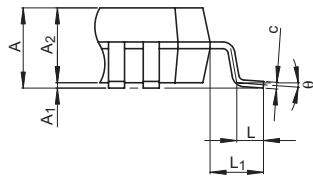


JEITA Package Code	RENESAS Code	Previous Code	MASS[Typ.]
P-LQFP52-10x10-0.65	PLQP0052JA-A	52P6A-A/-	0.3g



Terminal cross section



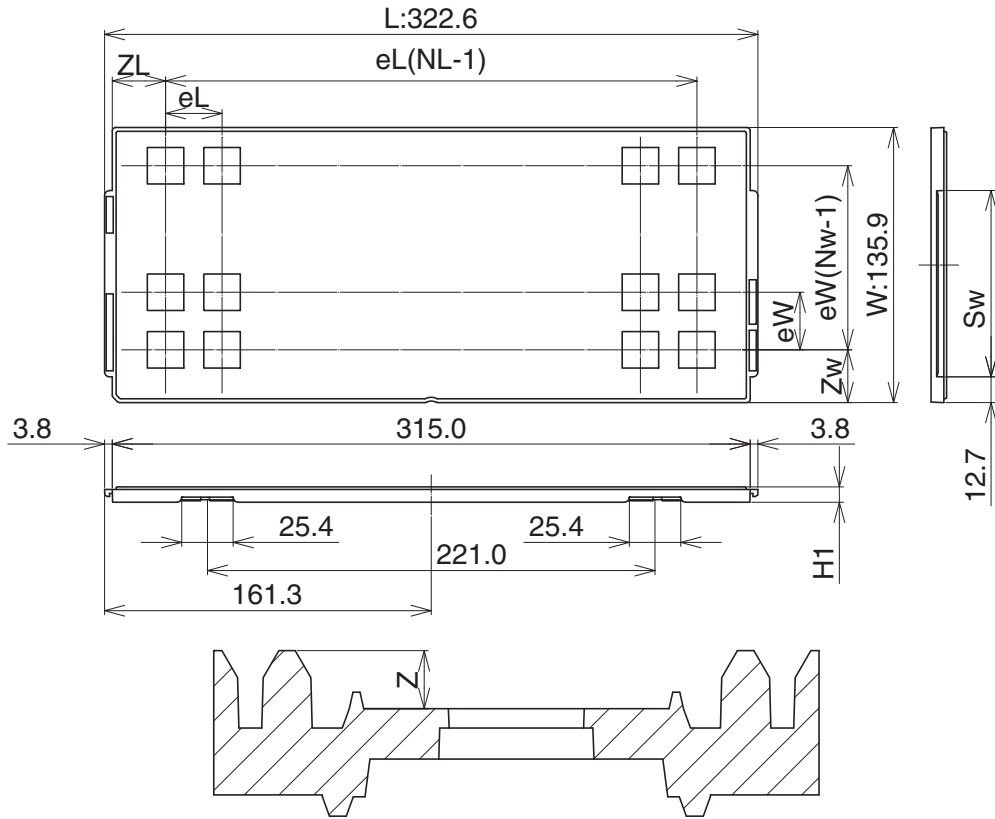
Detail F

- NOTE)
1. DIMENSIONS $*1$ " AND $*2$ " DO NOT INCLUDE MOLD FLASH.
 2. DIMENSION $*3$ " DOES NOT INCLUDE TRIM OFFSET.

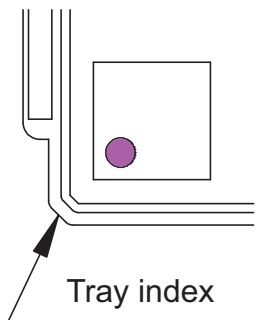
Reference Symbol	Dimension in Millimeters		
	Min	Nom	Max
D	9.9	10.0	10.1
E	9.9	10.0	10.1
A ₂	—	1.4	—
H _D	11.8	12.0	12.2
H _E	11.8	12.0	12.2
A	—	—	1.7
A ₁	0.05	0.1	0.15
b _p	0.27	0.32	0.37
b ₁	—	0.30	—
c	0.09	0.145	0.20
c ₁	—	0.125	—
θ	0°	—	8°
e	—	0.65	—
x	—	—	0.13
y	—	—	0.10
Z _D	—	1.1	—
Z _E	—	1.1	—
L	0.35	0.5	0.65
L ₁	—	1.0	—

Packing Specification
Tray Outline Drawing
LQFP10x10x1.4

Unit: mm



The pin1 is located in the hatching portion.



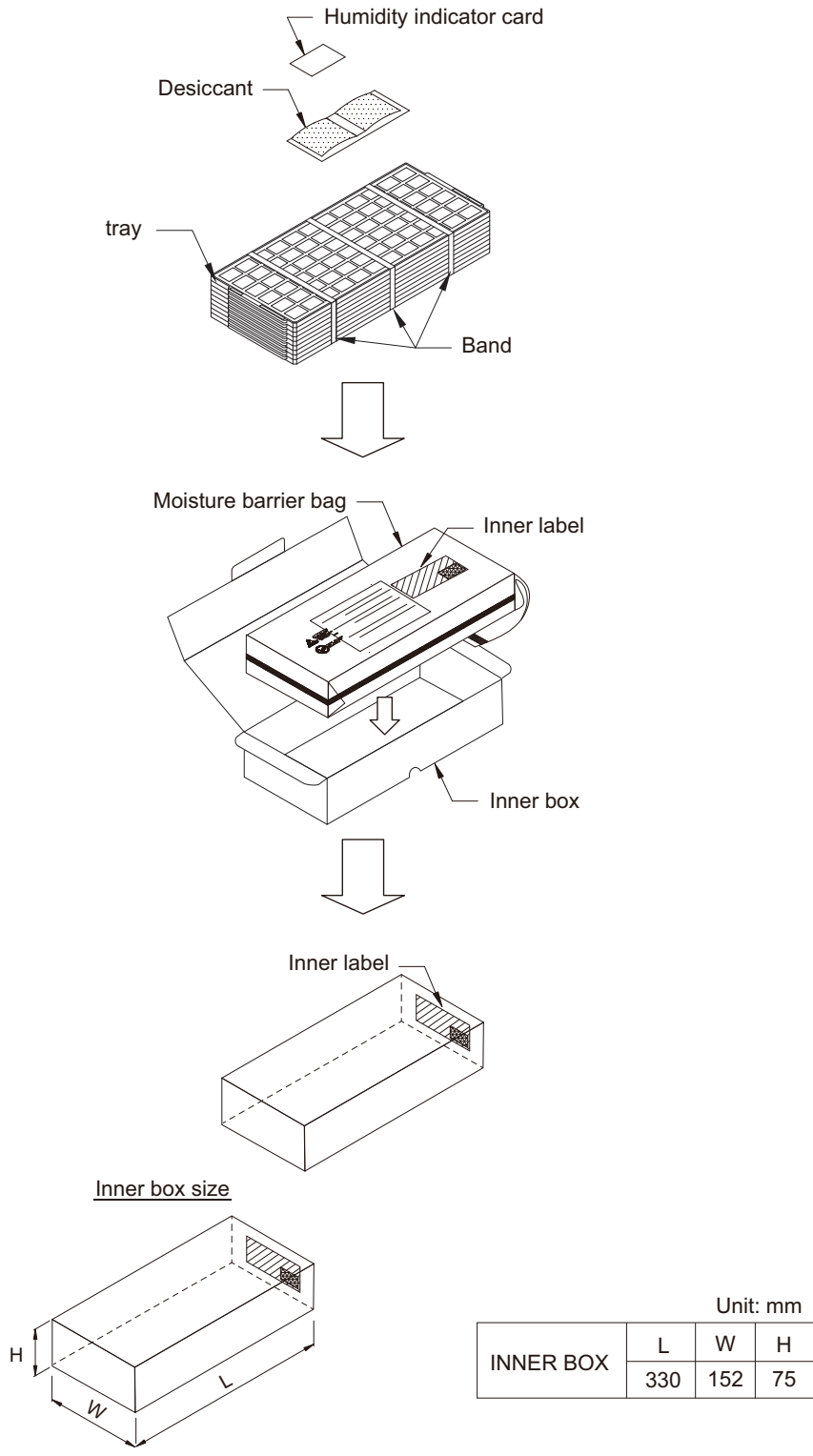
Tray Code		LQFP10x10x1.4
Position dimension of cells	Z	1.5
	Zw	13.0
	ZL	13.1
	eW	15.7
	eL	15.2
	Sw	92.1
Thickness (mm)	H1	7.62
Number of cells	Nw	8
	NL	20
Maximum storage No. IC/Tray		160
Maximum storage No. IC/Inner box		1280
Material		Carbon PPE
Heat resistant temperature		135°C MAX
JEDEC or Custom		JEDEC
Surface resistance		Less than $1 \times 10^{11} \Omega/\square$

RDH-H-000714

Packing Specification

Tray Packing

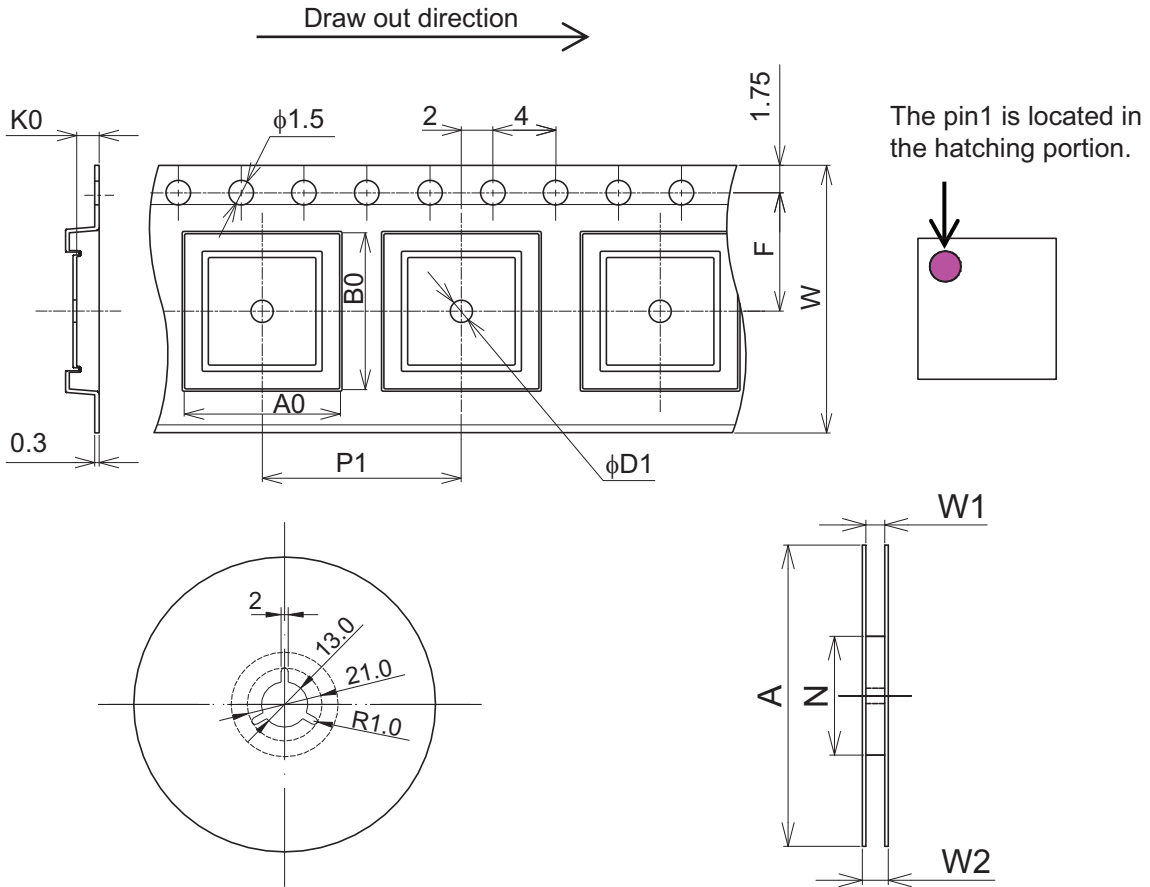
(Tray dry pack)



H-000531

**Packing Specification
Tape & Reel Outline Drawing
E2416Q10RA**

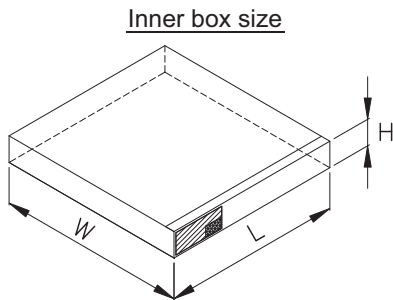
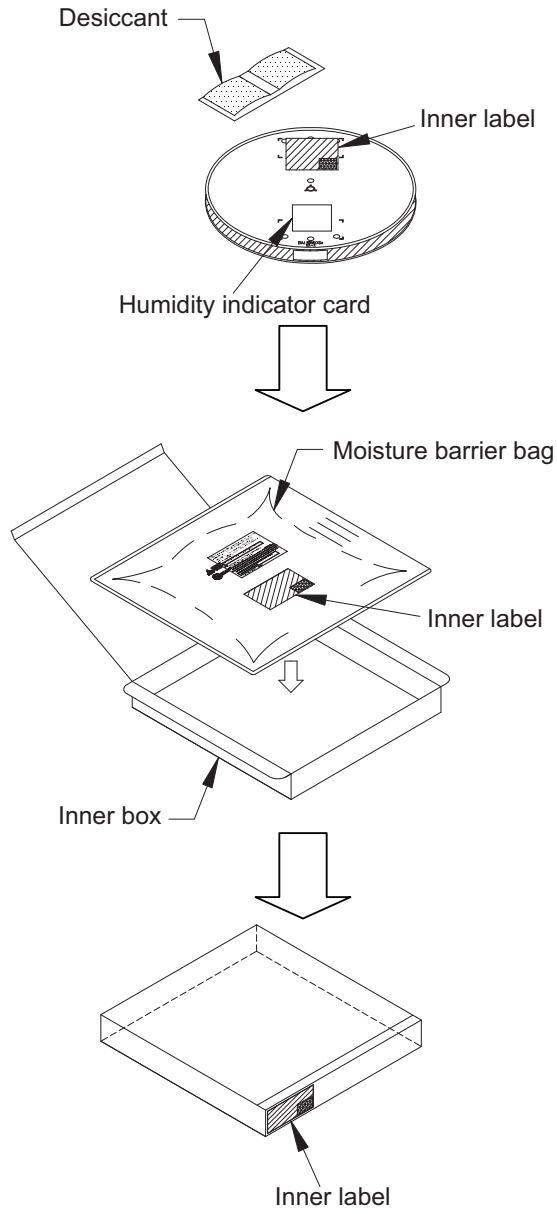
Unit: mm



Tape Code		E2416Q10RA
Tape Dimensions (mm)	W	24.0
	P1	16.0
	A0	12.5
	B0	12.5
	K0	1.4
	F	11.50
	D1	1.5
Reel Dimensions (mm)	A	330
	N	100
	W1	25.4
	W2	29.4
Maximum storage Pcs. IC/ Reel		1500
Material		Carbon PS
Surface resistance		Less than $1 \times 10^{11} \Omega/\square$

H-001567

Packing Specification
Tape & Reel Packing
(Tape dry pack)



Unit: mm

L	W	H
347	368	54

H-000248