

RENESAS TECHNICAL UPDATE

TOYOSU FORESIA, 3-2-24, Toyosu, Koto-ku, Tokyo 135-0061, Japan
Renesas Electronics Corporation

Product Category	MPU/MCU		Document No.	TN-RX*-A0231A/E	Rev.	1.00
Title	Errata to User's Manual: Hardware Regarding the I ² C-bus Interface (RIIC)		Information Category	Technical Notification		
Applicable Product	RX210 Group, RX220 Group, RX62G Group, RX62T Group	Lot No.	Reference Document	RX210 Group User's Manual: Hardware Rev.1.50 (R01UH0037EJ0150) RX220 Group User's Manual: Hardware Rev.1.10 (R01UH0292EJ0110) RX62T Group, RX62G Group User's Manual: Hardware Rev.2.00 (R01UH0034EJ0200)		
		All				

This document describes corrections to the "I²C Bus Interface (RIIC)" chapter in User's Manual: Hardware for the applicable products.

Page and section numbers are based on those of the manual for the RX210 Group. Refer to the table on the last page for the corresponding page and section numbers in the other groups.

•Page 1106 of 1630

The first paragraph of the description for the NACK bit in section 30.2.6, I²C Bus Function Enable Register (ICFER) is corrected as follows.

Before correction

This bit is used to specify whether to continue or discontinue the transfer operation when NACK is received **from the slave device** in transmit mode. Normally, set this bit to 1.

After correction

This bit is used to specify whether to continue or discontinue the data transfer when NACK is received in transmit mode. Normally, set this bit to 1.

•Page 1114 of 1630

The second paragraph of the description for the AL flag in section 30.2.10, I²C Bus Status Register 2 (ICSR2) is corrected as follows.

Before correction

The RIIC can also set the flag to indicate the detection of loss of arbitration during NACK transmission **in master mode** or during data transmission in slave mode.

After correction

The RIIC can also detect loss of arbitration during NACK transmission **in receive mode** or during data transmission in slave mode.

•Page 1117 of 1630

The note for the TDRE flag in section 30.2.10, I²C Bus Status Register 2 (ICSR2) is corrected as follows.

Before correction

Note: When the NACKF flag is set to 1 while the NACKE bit in ICFER is 1, the RIIC suspends data transmission/reception. Here, if the TDRE flag is 0 (next transmit data has been written), data is transferred to the ICDRS register and the ICDRT register becomes empty at the rising edge of the ninth clock cycle, but the TDRE flag is not set to 1.

After correction

Note: The NACKF flag becoming 1 while the ICFER.NACKE bit is 1 suspends data transmission and reception by the RIIC. Even if the next data for transmission has already been written to the ICDRT register (the TDRE flag is 0), the data in the ICDRT register is retained but not transferred to the ICDRS register. At this point, the TDRE flag does not become 1.

• Page 1150 of 1630

Figure 30.28 in section 30.7.3, Device-ID Address Detection is corrected as follows.

Before correction

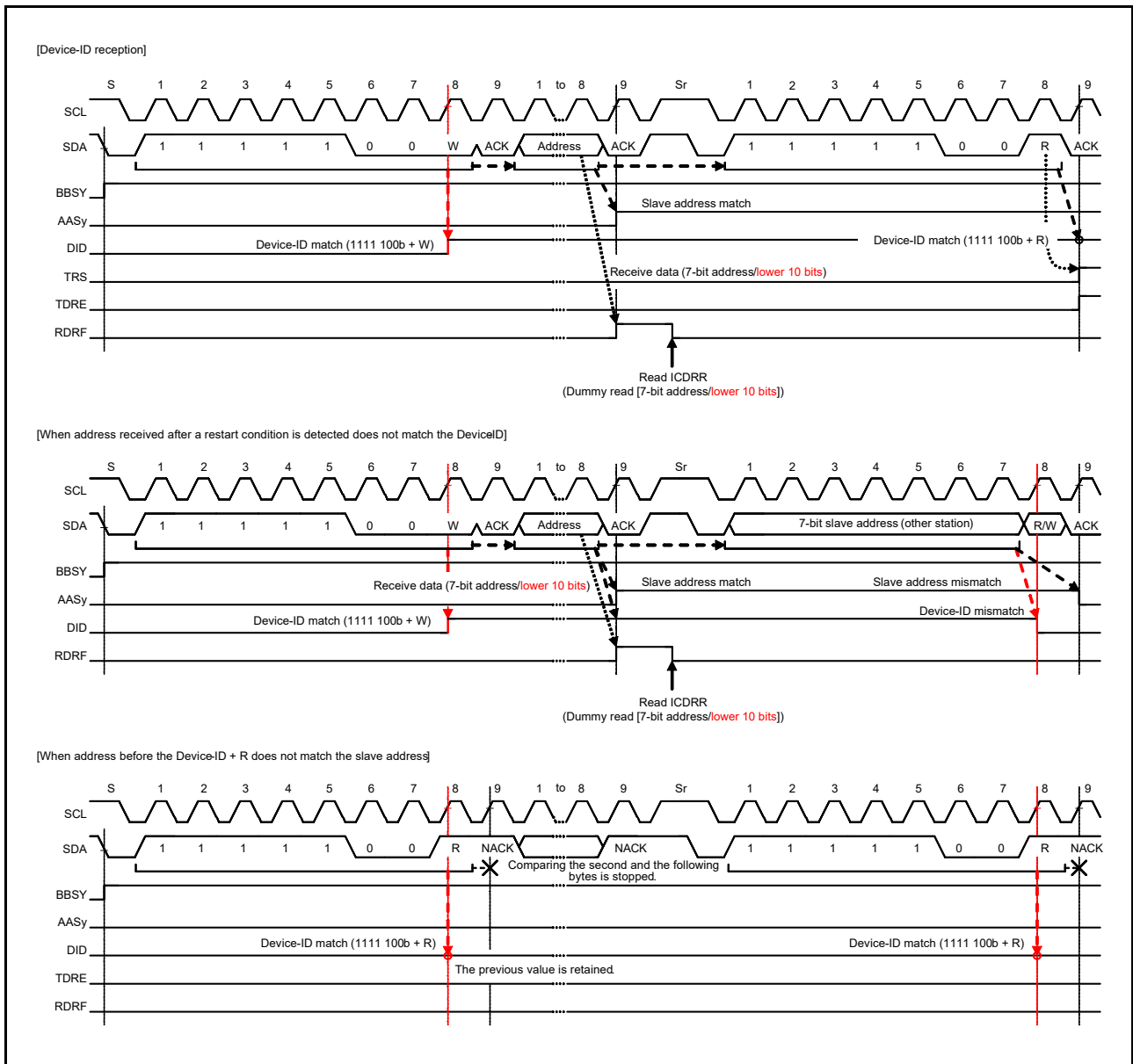


Figure 30.28 AASy/DID Flag Set/Clear Timing during Reception of Device-ID

After correction

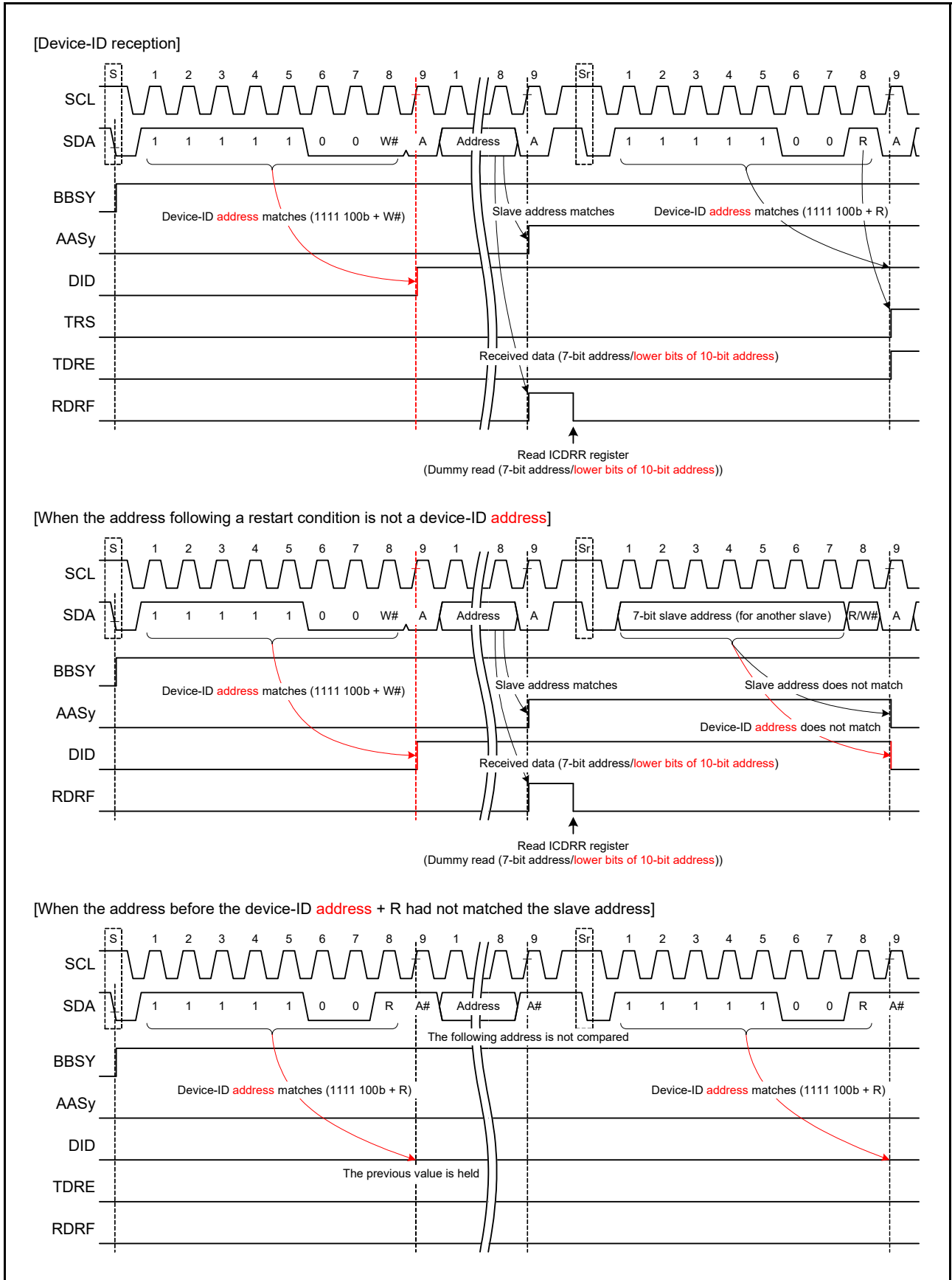


Figure 30.28 Set/Clear Timing of the AASy and DID Flags during Reception of Device-ID Address

• Page 1153 of 1630

The second paragraph in section 30.8.2, NACK Reception Transfer Suspension Function is corrected as follows.

Before correction

If the transfer operation is suspended by this function (NACKF flag = 1 in ICSR2), transmit operation and receive operation are discontinued. To restore transmit/receive operation, be sure to clear the NACKF flag to 0. **In master transmit mode, clear the NACKF flag to 0, issue a restart or stop condition, and then issue a start condition again.**

After correction

If the data transmission is suspended (ICSR2.NACKF flag is 1) by this function, the following data transmission and data reception are not started. To resume data transfer, set the NACKF flag to 0. **In master transmit mode, restart data transfer by setting the NACKF flag to 0 after generating a restart condition, or restart data transfer from a start condition after generating a stop condition then setting the NACKF flag to 0.**

• Page 1153 of 1630

Figure 30.31 in section 30.8.2, NACK Reception Transfer Suspension Function is corrected as follows.

Before correction

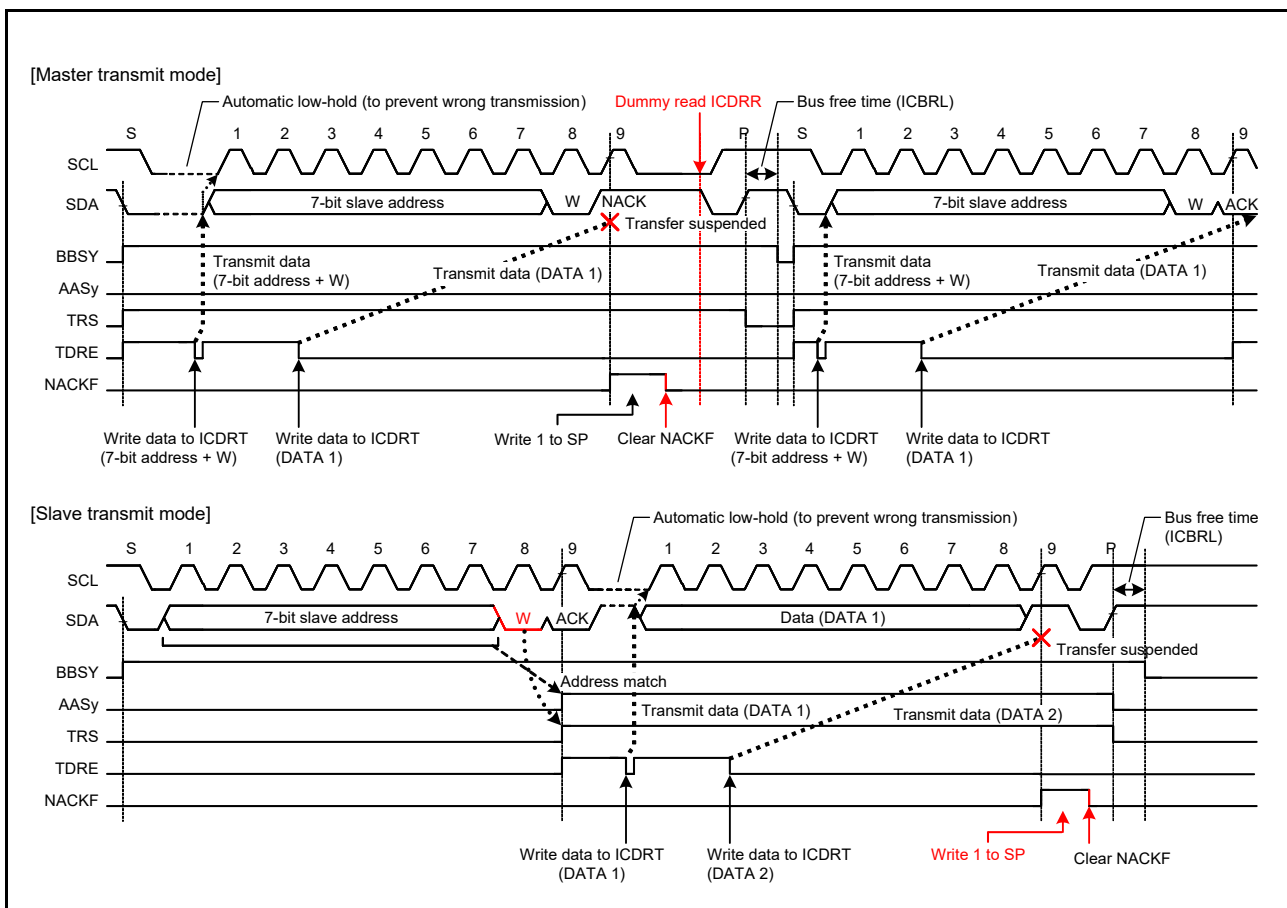


Figure 30.31 Suspension of Data Transfer when NACK is Received (NACKF = 1)

After correction

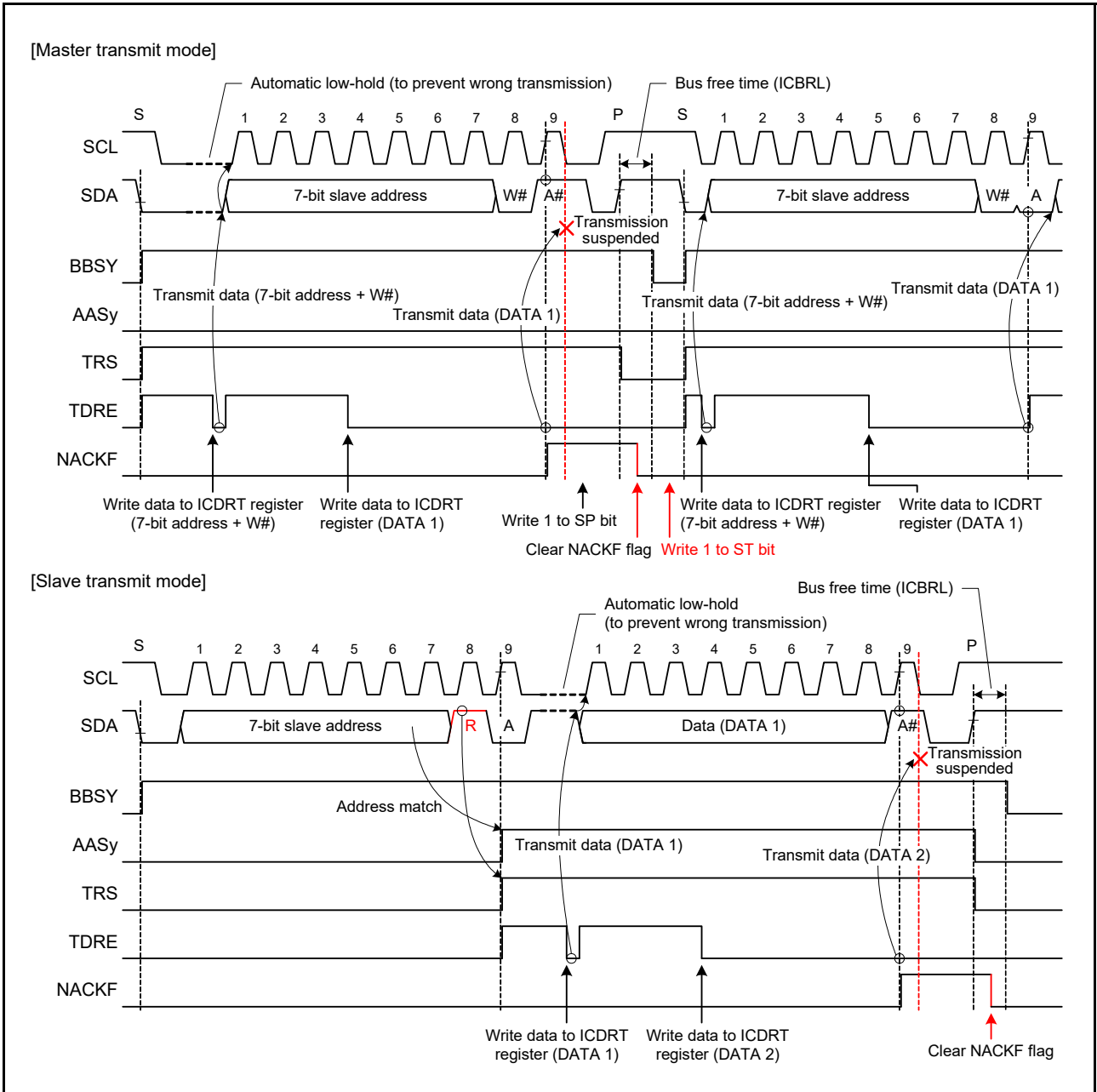


Figure 30.31 Suspension of Data Transmission When NACK is Received (NACKF = 1)

• Page 1163 of 1630

The third paragraph in section 30.11.2, Extra SCL Clock Cycle Output Function is modified as follows.

Before correction

When the CLO bit in ICCR1 is set to 1 in master mode, a single cycle of the SCL clock at the frequency corresponding to the transfer rate settings (settings of the CKS[2:0] bits in ICMR1, and of the ICBRH and ICBRL registers) is output as an extra clock cycle. After output of this single cycle of the SCL clock, the CLO bit is automatically cleared to 0. Therefore, further extra clock cycles can be output consecutively by the software program writing 1 to the CLO bit after having read CLO = 0.

After correction

When the ICCR1.CLO bit is set to 1, an additional clock pulse at the frequency set by the ICMR1.CKS[2:0] bits and the ICBRH and ICBRL registers is output from the SCL pin. After output of this clock pulse, the CLO bit automatically becomes 0. **The SCL pin is held low when the ICCR2.BBSY flag is 1 and held high when the BBSY flag is 0.** Consecutive additional clock pulses can be output by writing 1 to the CLO bit after confirming the CLO bit to be 0.

• Page 1163 of 1630

The second sentence in the fifth paragraph of section 30.11.2, Extra SCL Clock Cycle Output Function is deleted as follows.

Before correction

Use this facility with the MALE bit (master arbitration-lost detection disabled) in ICFER cleared to 0. **If the MALE bit is set to 1 (master arbitration-lost detection enabled), arbitration is lost when the value of the SDAO bit in ICCR1 does not match the state of the SDA line, so take care on this point.**

After correction

Use this function with the ICFER.MALE bit set to 0 (master arbitration-lost detection is disabled).

• Page 1163 of 1630

Figure 30.40 in section 30.11.2, Extra SCL Clock Cycle Output Function is corrected as follows.

Before correction

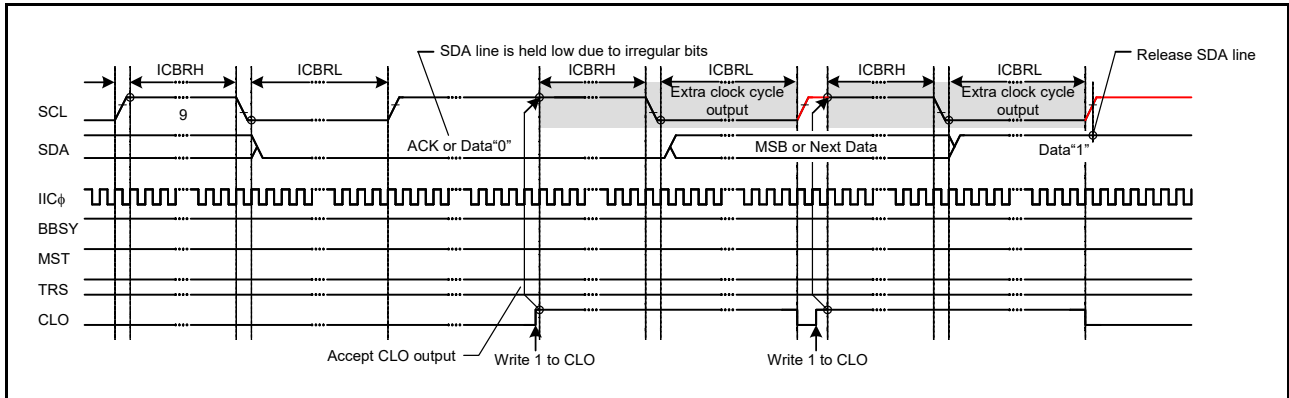


Figure 30.40 Extra SCL Clock Cycle Output Function (CLO Bit)

After correction

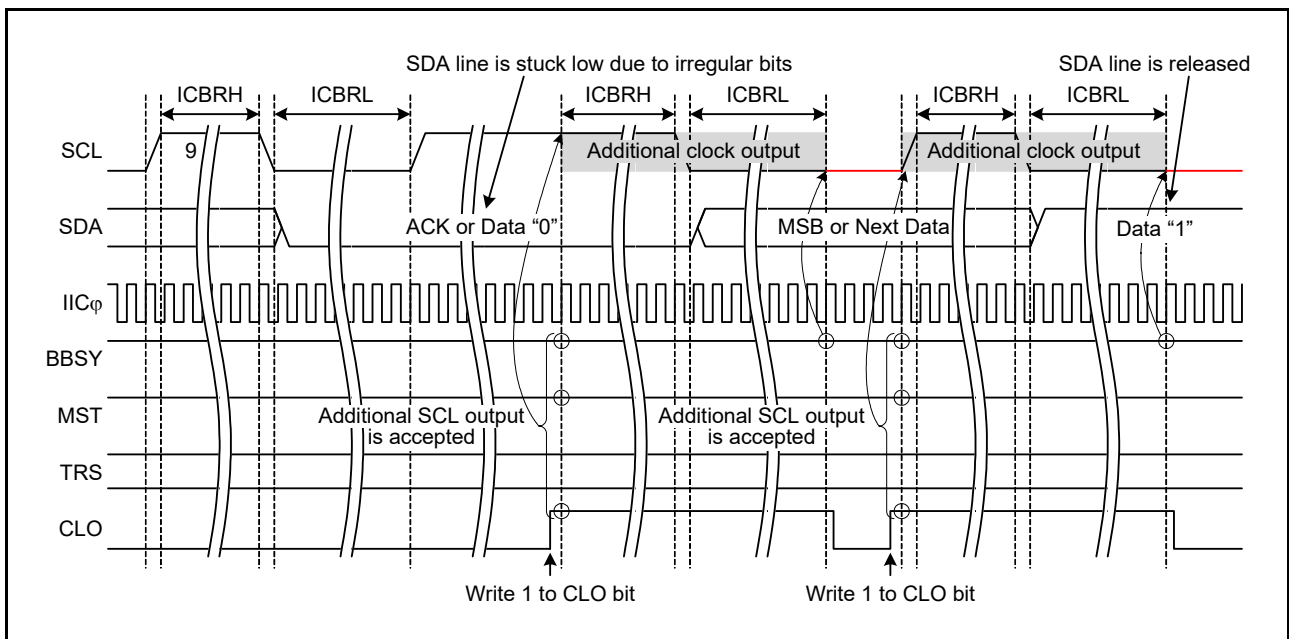


Figure 30.40 Additional SCL Output Function (CLO Bit)

• Page 1169 of 1630

Table 30.8 in section 30.14, Reset States is corrected as follows.

Before correction

Table 30.8 Reset Conditions

		Chip Reset	RIIC Reset (ICE = 0, IICRST = 1)	Internal Reset (ICE = 1, IICRST = 1)	Start Condition/ Restart Condition Detection	Stop Condition Detection	
ICCR1	ICE, IICRST	At a reset	Retained	Retained	Operation (retained)	Operation (retained)	
	SCLO, SDAO		At a reset	At a reset			
	Others			Retained			
ICCR2	BBSY	At a reset	At a reset	Operation	Operation	Operation	
	ST			At a reset			At a reset
	Others						At a reset
ICMR1	BC[2:0]	At a reset	At a reset	At a reset	At a reset	Operation (retained)	
	Others			Retained			Operation (retained)
ICMR2		At a reset	At a reset	Retained	Operation (retained)	Operation (retained)	
ICMR3		At a reset	At a reset	Retained	Operation (retained)	Operation (retained)	
ICFER		At a reset	At a reset	Retained	Operation (retained)	Operation (retained)	
ICSER		At a reset	At a reset	Retained	Operation (retained)	Operation (retained)	
ICIER		At a reset	At a reset	Retained	Operation (retained)	Operation (retained)	
ICSR1		At a reset	At a reset	At a reset	Operation (retained)	At a reset	
ICSR2	TDRE, TEND	At a reset	At a reset	At a reset	Operation (retained)	At a reset	
	START				Operation		
	STOP				Operation (retained)		Operation
	Others						Operation (retained)
SARL0, 1, 2 SARU0, 1, 2		At a reset	At a reset	Retained	Operation (retained)	Operation (retained)	
ICBRH, ICBRL		At a reset	At a reset	Retained	Operation (retained)	Operation (retained)	
ICDRT		At a reset	At a reset	Retained	Operation (retained)	Operation (retained)	
ICDRR		At a reset	At a reset	Retained	Operation (retained)	Operation (retained)	
ICDRS		At a reset	At a reset	At a reset	Operation (retained)	Operation (retained)	
Timeout function		At a reset	At a reset	Operation	Operation	Operation	
Bus free time measurement		At a reset	At a reset	Operation	Operation	Operation	

After correction

Table 30. Reset States of Registers and Functions When a Reset is Applied or a Condition is Detected

		MCU Reset	RIIC Reset (ICE = 0, IICRST = 1)	Internal Reset (ICE = 1, IICRST = 1)	Start Condition/ Restart Condition Detection	Stop Condition Detection
ICCR1	SDAO, SCLO	To be reset	To be reset	To be reset	Retained	Retained
	IICRST, ICE		Retained	Retained		
	Others		To be reset			
ICCR2	ST, RS	To be reset	To be reset	To be reset	To be reset	Retained
	SP					To be reset
	TRS					See note 1
	MST					See note 1
	BBSY				Retained	Becomes 1
ICMR1	BC[2:0]	To be reset	To be reset	To be reset	To be reset	Retained
	Others			Retained		
ICMR2		To be reset	To be reset	Retained	Retained	Retained
ICMR3	ACKBT	To be reset	To be reset	Retained	Retained	To be reset
	Others					Retained
ICFER		To be reset	To be reset	Retained	Retained	Retained
ICSER		To be reset	To be reset	Retained	Retained	Retained
ICIER		To be reset	To be reset	Retained	Retained	Retained
ICSR1		To be reset	To be reset	To be reset	Retained	To be reset
ICSR2	START	To be reset	To be reset	To be reset	Becomes 1	To be reset
	STOP				Retained	Becomes 1
	TEND					To be reset
	TDRE				See note 1	
	Others				Retained	Retained
SARL0, SARL1, SARL2, SARU0, SARU1, SARU2		To be reset	To be reset	Retained	Retained	Retained
ICBRH, ICBRL		To be reset	To be reset	Retained	Retained	Retained
ICDRT		To be reset	To be reset	Retained	Retained	Retained
ICDRR		To be reset	To be reset	Retained	Retained	Retained
ICDRS		To be reset	To be reset	To be reset	Retained	Retained
Timeout function		To be reset	To be reset	To be reset	Operation	Operation
Bus free time measurement		To be reset	To be reset	Operation	Operation	Operation

Note 1. This bit is not reset. This bit becomes 0 or 1 in accordance with the conditions.

Page Number, Section/Figure/Table Number

Item	Page Number, Section/Figure/Table Number		
	RX210 Group	RX220 Group	RX62T Group, RX62G Group
Descriptions of the ICFER.NACK bit	Page 1106 30.2.6	Page 863 29.2.6	Page 1007 24.2.6
Descriptions of the ICSR2.AL flag	Page 1114 30.2.10	Page 871 29.2.10	Page 1016 24.2.10
Note for the ICSR2.TDRE flag	Page 1117 30.2.10	Page 874 29.2.10	Page 1018 24.2.10
Figure of the device-ID address detection	Page 1150 Figure 30.28	Page 907 Figure 29.28	Page 1051 Figure 24.28
Descriptions for NACK reception transfer suspension	Page 1153 30.8.2	Page 910 29.8.2	Page 1054 24.8.2
Figure of NACK reception transfer suspension	Page 1153 Figure 30.31	Page 910 Figure 29.31	Page 1054 Figure 24.31
The third paragraph of the extra SCL output function	Page 1163 30.11.2	Page 920 29.11.2	Page 1065 24.11.2
The fifth paragraph of the extra SCL output function	Page 1163 30.11.2	Page 920 29.11.2	Page 1065 24.11.2
Figure of the extra SCL output function	Page 1163 Figure 30.40	Page 920 Figure 29.40	Page 1065 Figure 24.40
Table of the reset states	Page 1169 Table 30.8	Page 926 Table 29.8	Page 1070 Table 24.8