
[Upgrade to revision]

R20TS0389EJ0100

Rev.1.00

Jan. 16, 2019

Programming GUI "FP6 Terminal"

for PG-FP6 Flash Memory Programmer V1.03.00

Outline

We have updated the "FP6 Terminal" programming GUI for the PG-FP6 flash memory programmer from V1.02.01 to V1.03.00. For an overview of the PG-FP6, refer to the URL below.

<https://www.renesas.com/pg-fp6>

1. Description of Update

1.1 Addition of Supported MCUs

Support has been added for the following MCUs.

(1) Renesas Synergy MCUs

Group	Part number
S5D3	R7FS5D37A

(2) Power Management

Group	Part number
Battery Management	RAJ240047, RAJ240071, RAJ240075

(3) Renesas USB Power Delivery Family

Group	Part number
C30	R9J02G012

(4) 78K Family

Group	Part number
78K0/LC3	UPD78F0400, UPD78F0401, UPD78F0402, UPD78F0410, UPD78F0411, UPD78F0412
78K0/LD3	UPD78F0420, UPD78F0421, UPD78F0422, UPD78F0430, UPD78F0431, UPD78F0432
78K0/LE3	UPD78F0441, UPD78F0442, UPD78F0451, UPD78F0452, UPD78F0461, UPD78F0462
78K0/LF3	UPD78F0471, UPD78F0472, UPD78F0481, UPD78F0482, UPD78F0491, UPD78F0492
78K0/KD2	UPD78F0527
78K0/KE2	UPD78F0537, UPD78F0537D
78K0/KF2	UPD78F0547, UPD78F0547D
78K0R/KC3-L	UPD78F1000, UPD78F1001, UPD78F1002
78K0R/KD3-L	UPD78F1004, UPD78F1005
78K0R/KE3-L	UPD78F1007, UPD78F1008
78K0R/KF3-L	UPD78F1011
78K0R/KG3-L	UPD78F1013
78K0R/IB3	UPD78F1203
78K0R/IC3	UPD78F1213, UPD78F1214
78K0R/ID3	UPD78F1223, UPD78F1224
78K0R/IE3	UPD78F1233, UPD78F1234
78K0R/KF3-C	UPD78F1846A
78K0R/KG3-C	UPD78F1848A
78K0R/KE3-A	UPD78F1017
78K0R/KC3-L(USB)	UPD78F1023
78K0R/KE3-L(USB)	UPD78F1025

(5) V850 Family

Group	Part number
V850E/MA3	UPD70F3134B
V850E/SJ3-H	UPD70F3474A, UPD70F3475, UPD70F3475A, PD70F3476, UPD70F3476A, UPD70F3931B, UPD70F3932B, UPD70F3933B, UPD70F3934B, UPD70F3935B, UPD70F3936A, UPD70F3936B
V850E/SK3-H	UPD70F3486A, UPD70F3487A, UPD70F3488A
V850ES/JC3-L	UPD70F3801, UPD70F3803
V850ES/JE3-L	UPD70F3805, UPD70F3806, UPD70F3807, UPD70F3808
V850ES/JF3-L	UPD70F3735
V850ES/JG3-L	UPD70F3737, UPD70F3792, UPD70F3794, UPD70F3795, UPD70F3841
V850ES/JC3-H	UPD70F3814, UPD70F3815, UPD70F3816, UPD70F3817, UPD70F3818, UPD70F3819
V850ES/JE3-H	UPD70F3820, UPD70F3821, UPD70F3822, UPD70F3823, UPD70F3824, UPD70F3825
V850ES/JE3-E	UPD70F3826, UPD70F3827, UPD70F3828, UPD70F3829
V850ES/JG3-E	UPD70F3834, UPD70F3835, UPD70F3836, UPD70F3837
V850ES/JH3-E	UPD70F3778, UPD70F3780, UPD70F3782, UPD70F3783
V850ES/JJ3-E	UPD70F3784, UPD70F3785, UPD70F3786
V850ES/FJ3	UPD70F3381
V850ES/FK3	UPD70F3384
V850ES/FE3-L	UPD70F3611, UPD70F3613
V850ES/FF3-L	UPD70F3616, UPD70F3618
V850E2/PG4	UPD70F3505A
V850E2/PJ4	UPD70F3506, UPD70F3507M1, UPD70F3507M2, UPD70F3508, UPD70F3509M1, UPD70F3509M2
V850E2/PG4-L	UPD70F4154, UPD70F4155
V850E2/PG4-S	UPD70F4159
V850E2/SK4-H	UPD70F4018
V850E/DJ3	UPD70F3422, UPD70F3423, UPD70F3424, UPD70F3425
V850E/PG2	UPD70F3413, UPD70F3414
V850E/PHO3	UPD70F3441

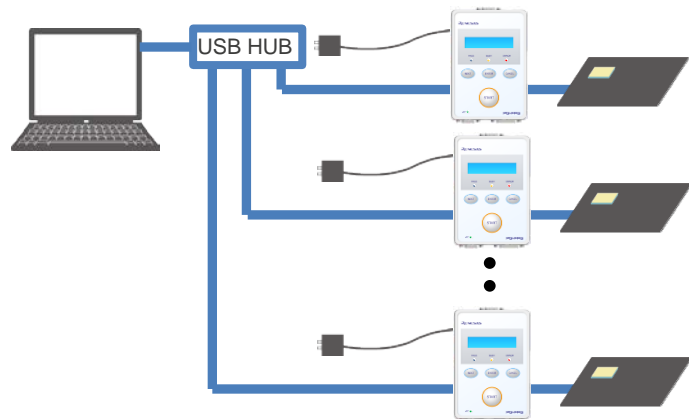
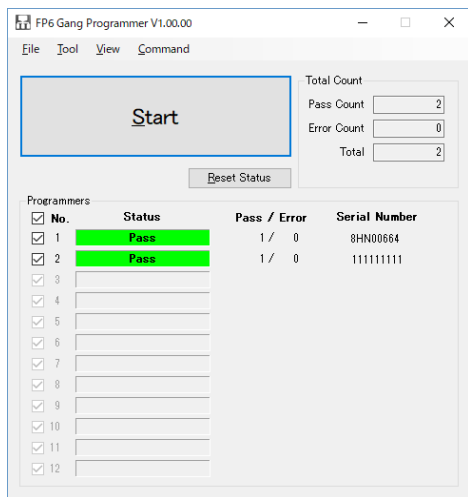
1.2 New Features

We have added/improved the following features.

(1) Addition of gang programming function

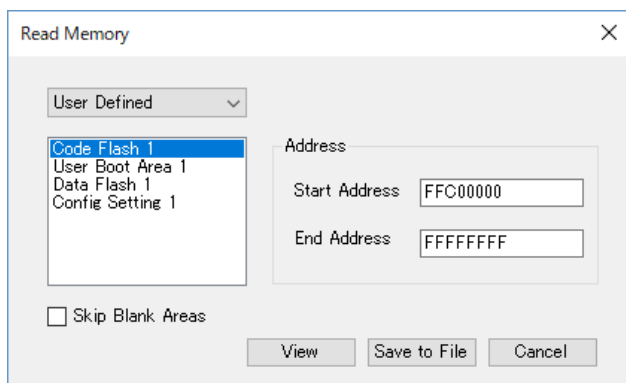
A new Programming GUI “FP6 Gang Programmer,” which enables simultaneous programming using multiple PG-PF6s, has been added to the Programming GUI “FP6 Terminal.” You can operate multiple PG-FP6s to program multiple target MCUs simultaneously.

- Control up to 12 PG-FP6s from one PC for simultaneous programming, thereby reducing time for high-volume programming.
- Easy setup by downloading a set of setting file and program file to multiple PG-FP6s at once.
- GUI panel where you can see programming status and pass/error of each PG-FP6.



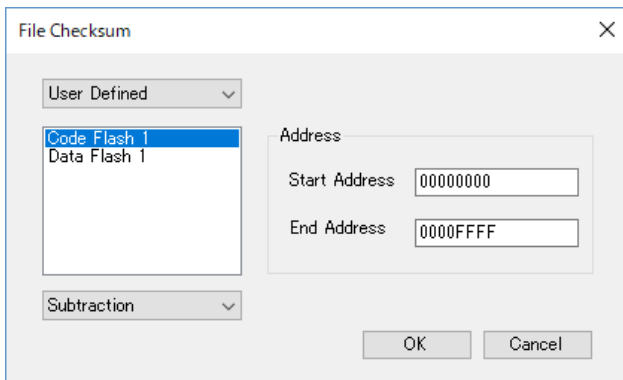
(2) Improvement of Read function

In addition to the existing function for reading all flash memory areas, you can now read flash memory of the specified address range by using the following dialog box.



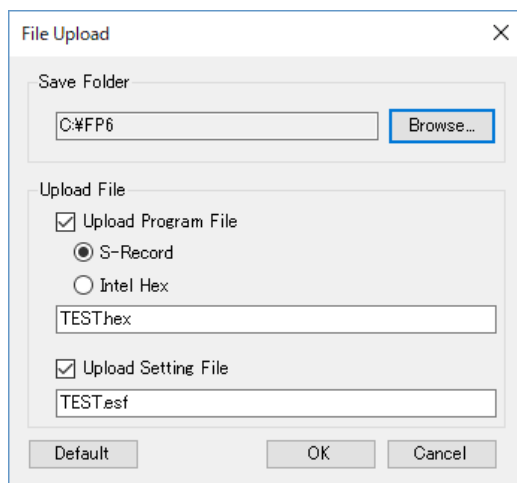
(3) Improvement of File Checksum function

In addition to the existing function for calculating the file checksum of all flash area, it is now possible to specify address range and calculation method for calculating the checksum by using the following dialog box.



(4) Improvement of Upload Files function

In addition to selecting the folder in which a program file is saved, you can now specify a file format and file name of the upload file.



(5) Other improvements

- The [Import Setup File] and [Open Setup File] menus have been integrated into [Open Setting File].
- A function for supplying clocks to the target MCU from the PG-FP6 has been added.
- A function for clearing the console window and status bar on the GUI and the status LED on the main unit has been added.
- A function for not deleting the programming area before downloading a program file has been added.

1.3 Items Revised

The following point for caution has been corrected.

-RENESAS TOOLNEWS, Document No. R20TS0388EJ0100

1. RH850/F1K group, RH850/F1KM-S1 group and RH850/F1KM-S4 group

For details about the problem, refer to the URL below.

<https://www.renesas.com/search/keyword-search.html#genre=document&q=r20ts0388>

2. Updating Your Product

Online update of the FP6 Terminal is provided free of charge. Download the installer from the following URL for an installation. (The installer is scheduled to be released on January 21.)

<https://www.renesas.com/pg-fp6#downloads>

Revision History

Rev.	Date	Description	
		Page	Summary
1.00	Jan. 16, 2019	-	First edition issued

TOYOSU FORESIA, 3-2-24 Toyosu, Koto-ku, Tokyo 135-0061 Japan
 Renesas Electronics Corporation

■Inquiry

<https://www.renesas.com/contact/>

Renesas Electronics has used reasonable care in preparing the information included in this document, but Renesas Electronics does not warrant that such information is error free. Renesas Electronics assumes no liability whatsoever for any damages incurred by you resulting from errors in or omissions from the information included herein.

The past news contents have been based on information at the time of publication. Now changed or invalid information may be included.

The URLs in the Tool News also may be subject to change or become invalid without prior notice.

All trademarks and registered trademarks are the property of their respective owners.