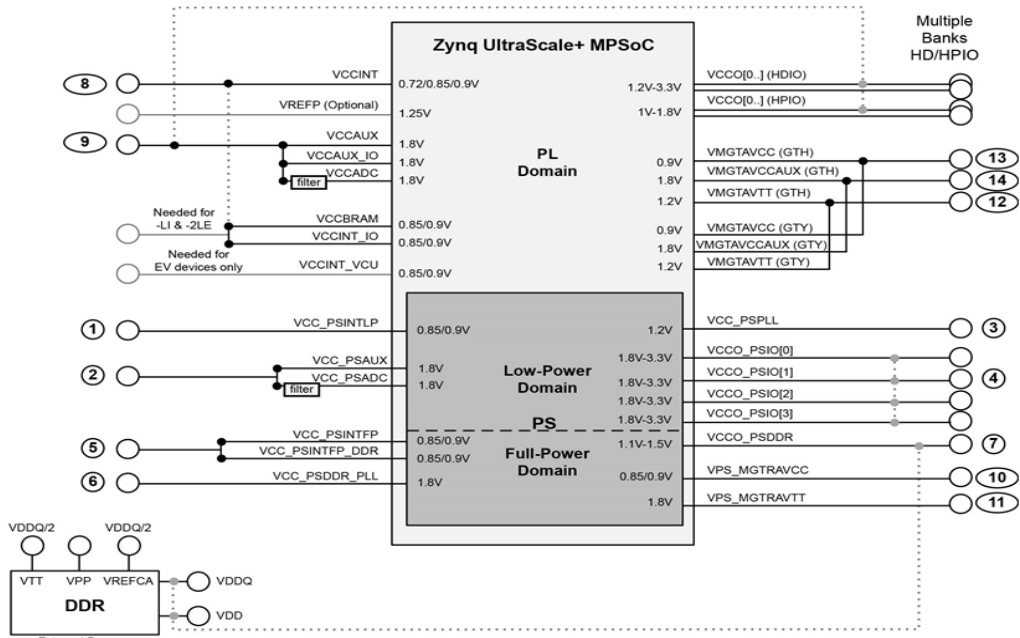
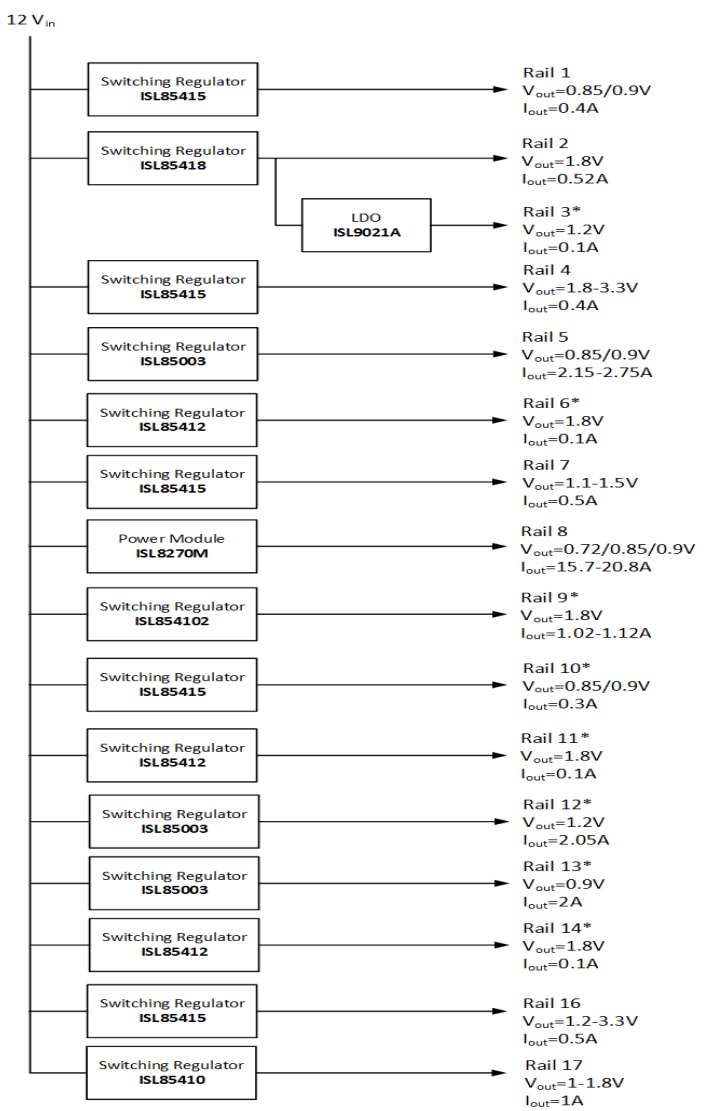


USECASE 4 #3



© Copyright 2013-2017 Xilinx, Inc.
All Rights Reserved.

Rail	Voltage	Power Supply Rails
Rail 1	0.85V	VCC_PSINTLP
Rail 2	1.8V	VCC_PSAUX, VCC_PSADC
Rail 3*	1.2V*	VCC_PSPLL
Rail 4	1.8-3.3V	VCCO_PSIQ
Rail 5	0.85/0.9V	VCC_PSINTFP, VCC_PSINTFP_DDR
Rail 6*	1.8V*	VCC_PSDDR_PLL
Rail 7	1.1-1.5V	VCCO_PSDDR
Rail 8*	0.85V	VCCINT_VCU, VCCINT, VCCINT_I, VCBRAM
Rail 9*	1.8V	VCCAUX, VCCAUX_IO, VCCADC, DDR_VPP1
Rail 10*	0.85V*	VPS_MGTRAVCC
Rail 11*	1.8V*	VPS_MGTRAVTT
Rail 12*	1.2V	VMGTAVTT(GTH), VMGTAVTT(GTY)
Rail 13*	0.9V	VMGTAVCC(GTH), VMGTAVCC(GTY)
Rail 14*	1.8V	VMGTAVCCAUX(GTH), VMGTAVCCAUX(GTY)
Rail 16	1.2-3.3V	HDIO_VCCO
Rail 17	1-1.8V	HPPIO_VCCO



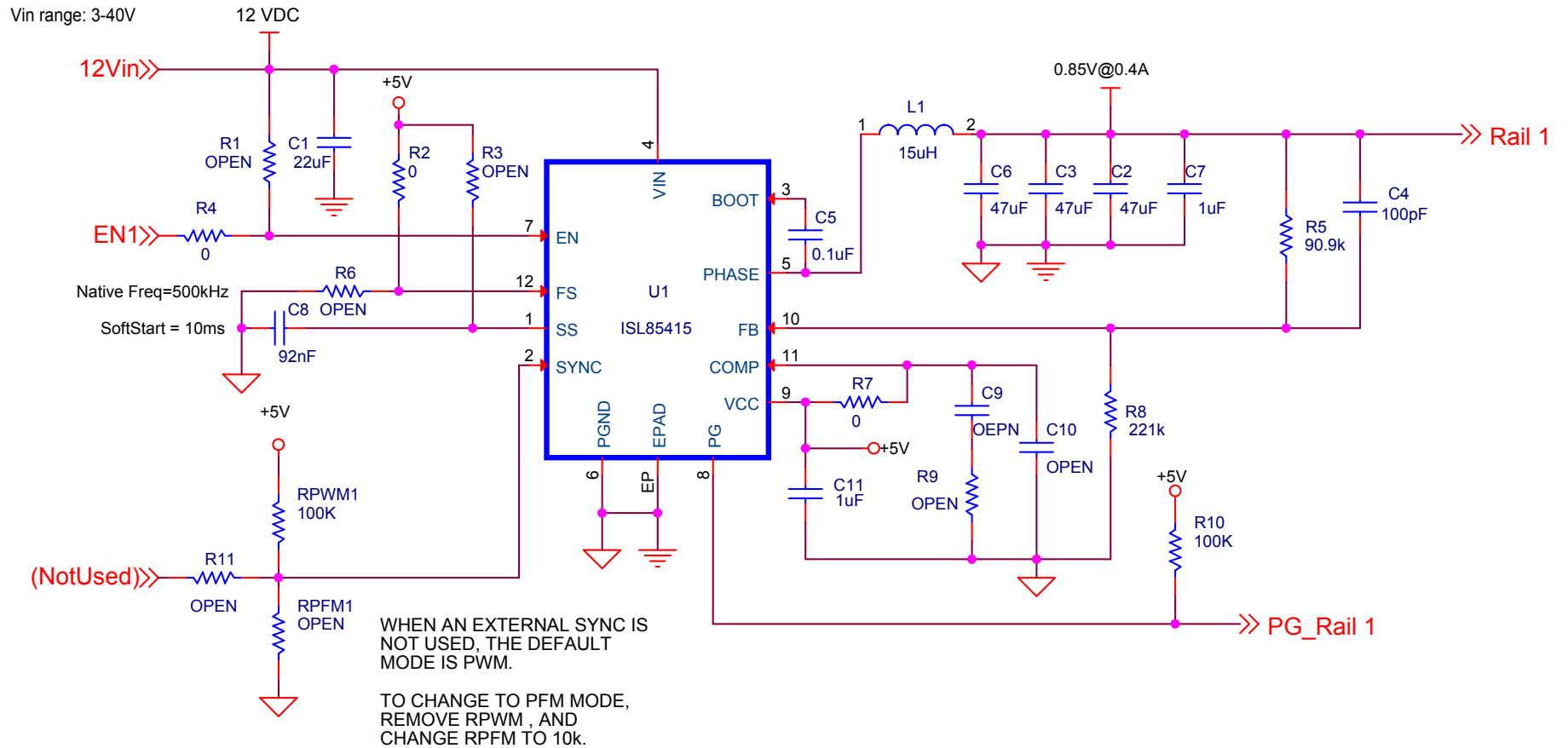
intersil

Title: ZYNQ US+ MPSoC Power Rails

Size B Document Number <Doc> Rev A

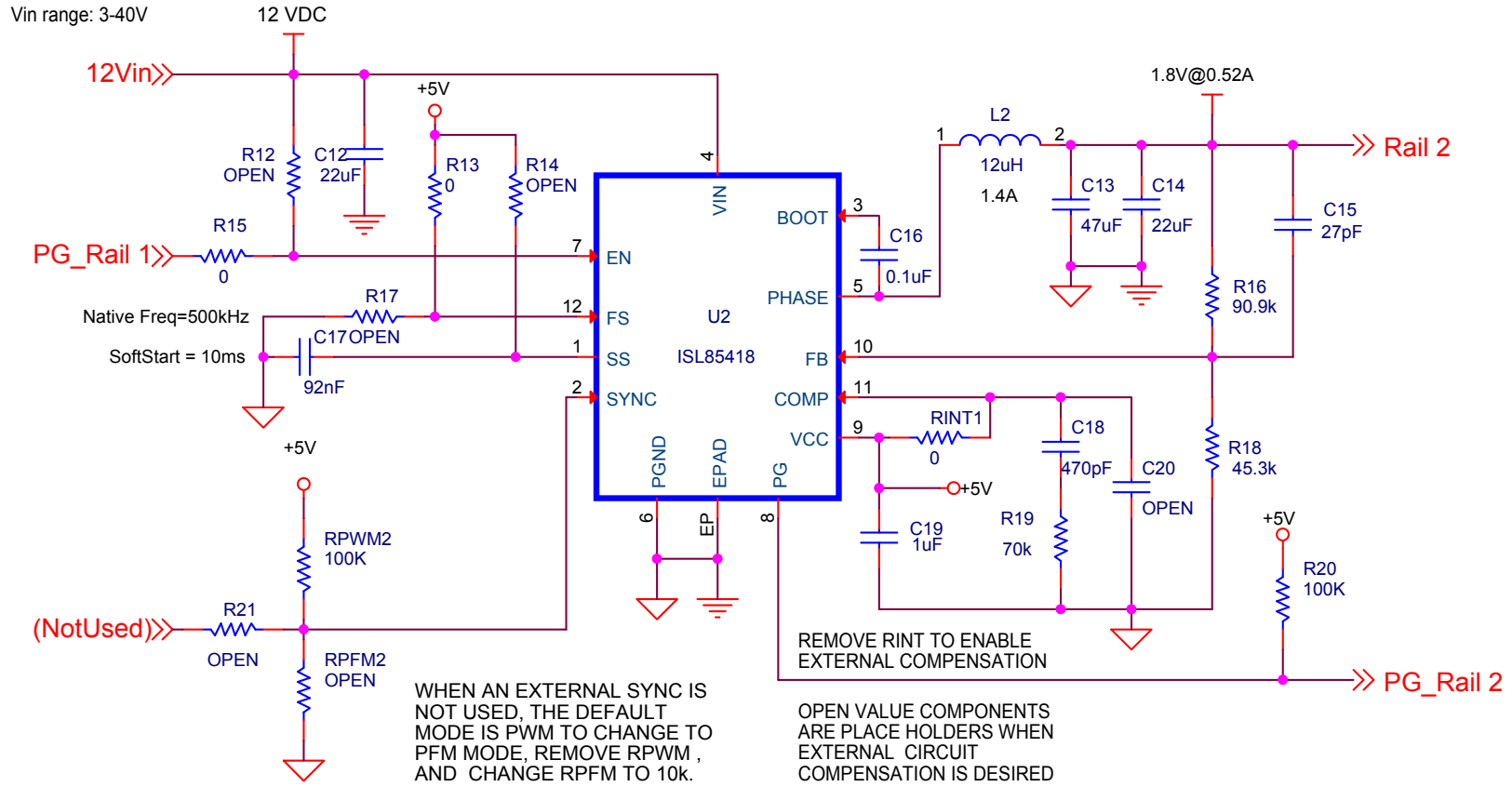
Date: Thursday, March 09, 2017 Sheet 1 of 17

ISL85415 SINGLE OUTPUT (500mA)



Title		
ISL85415-SINGLE-1		
Size A	Document Number	Rev
Date:	Thursday, March 09, 2017	Sheet 2 of 17

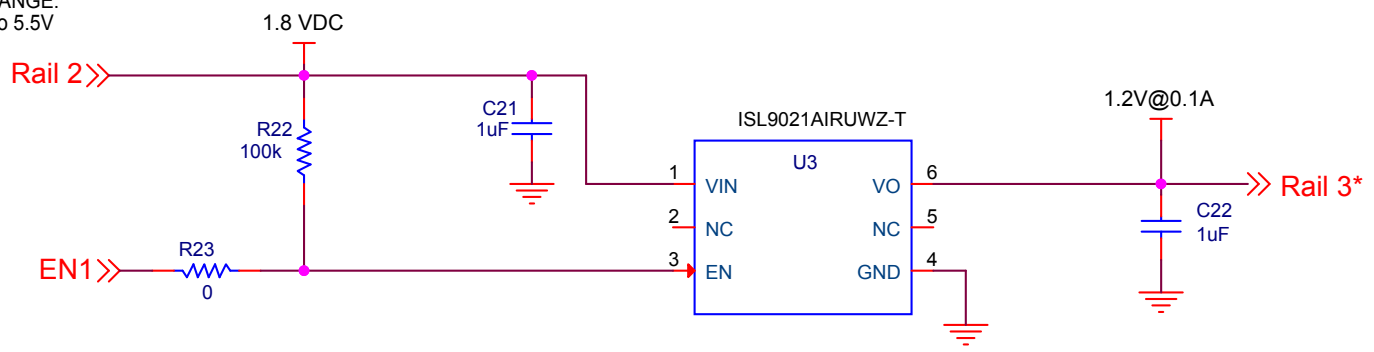
ISL85418 SINGLE OUTPUT (800mA)



Title		
ISL85418-SINGLE-1		
Size A	Document Number	Rev
Date:	Thursday, March 09, 2017	Sheet 3 of 17

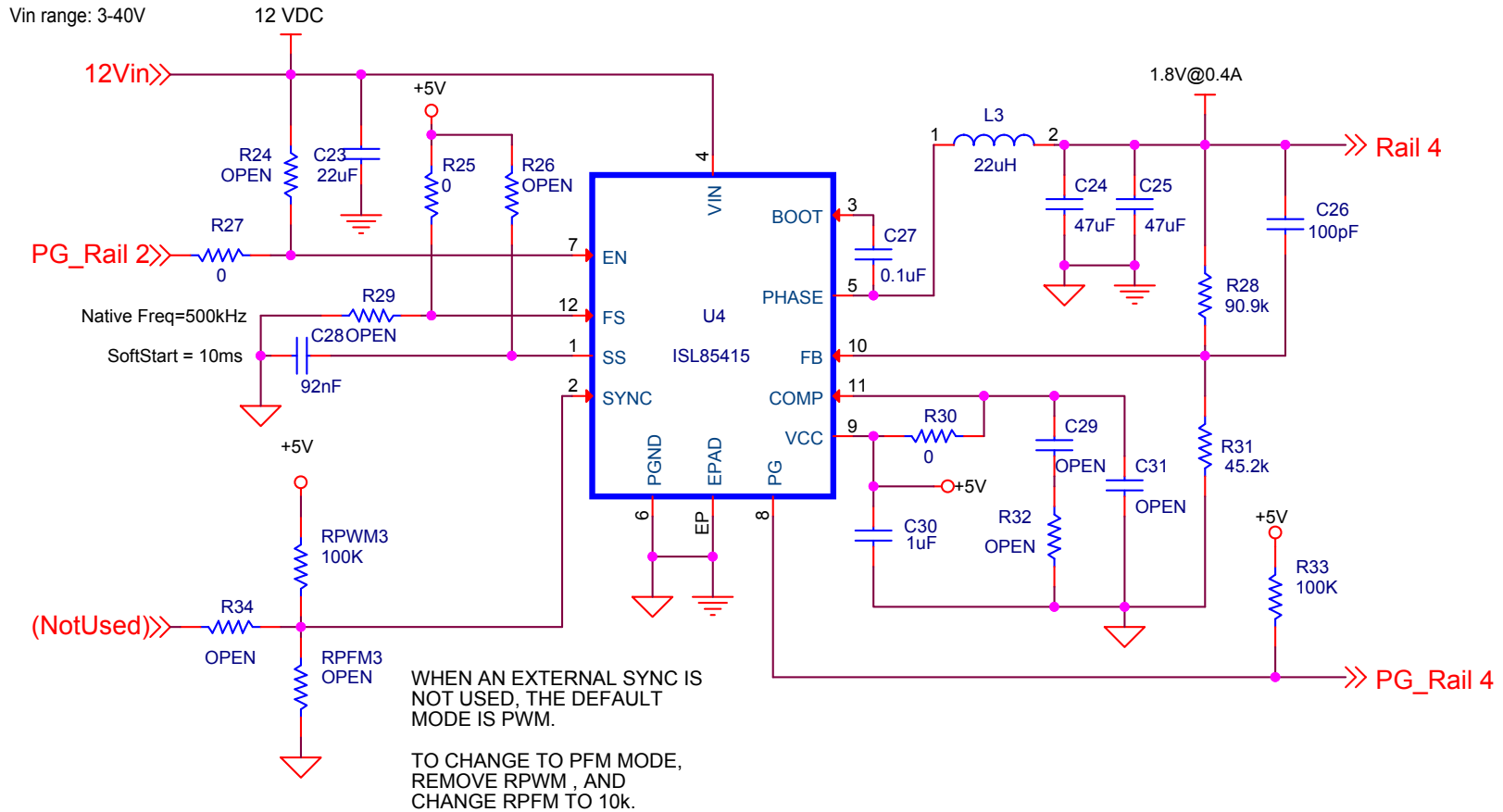
ISL9021A Single Output (250mA)

VIN RANGE:
1.2V to 5.5V



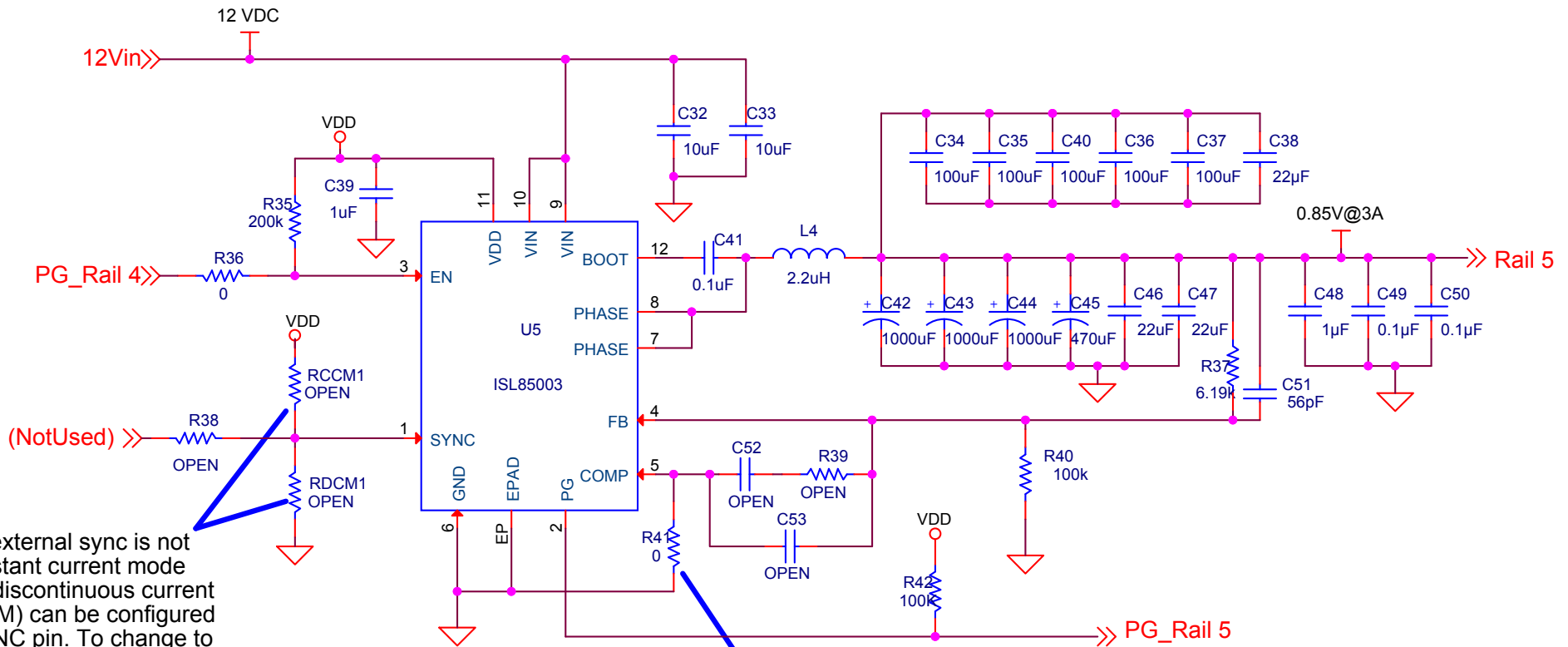
Title		
ISL9021A-SINGLE-1		
Size A	Document Number	Rev
Date:	Sheet 4	of 17

ISL85415 SINGLE OUTPUT (500mA)



Title		
ISL85415-SINGLE-1		
Size A	Document Number	Rev
Date:	Thursday, March 09, 2017	Sheet 5 of 17

ISL85003 SINGLE OUTPUT (3A)



When an external sync is not used, constant current mode (CCM) or discontinuous current mode (DCM) can be configured on the SYNC pin. To change to DCM mode, remove RCCM, and change RDCM to 0 ohms.

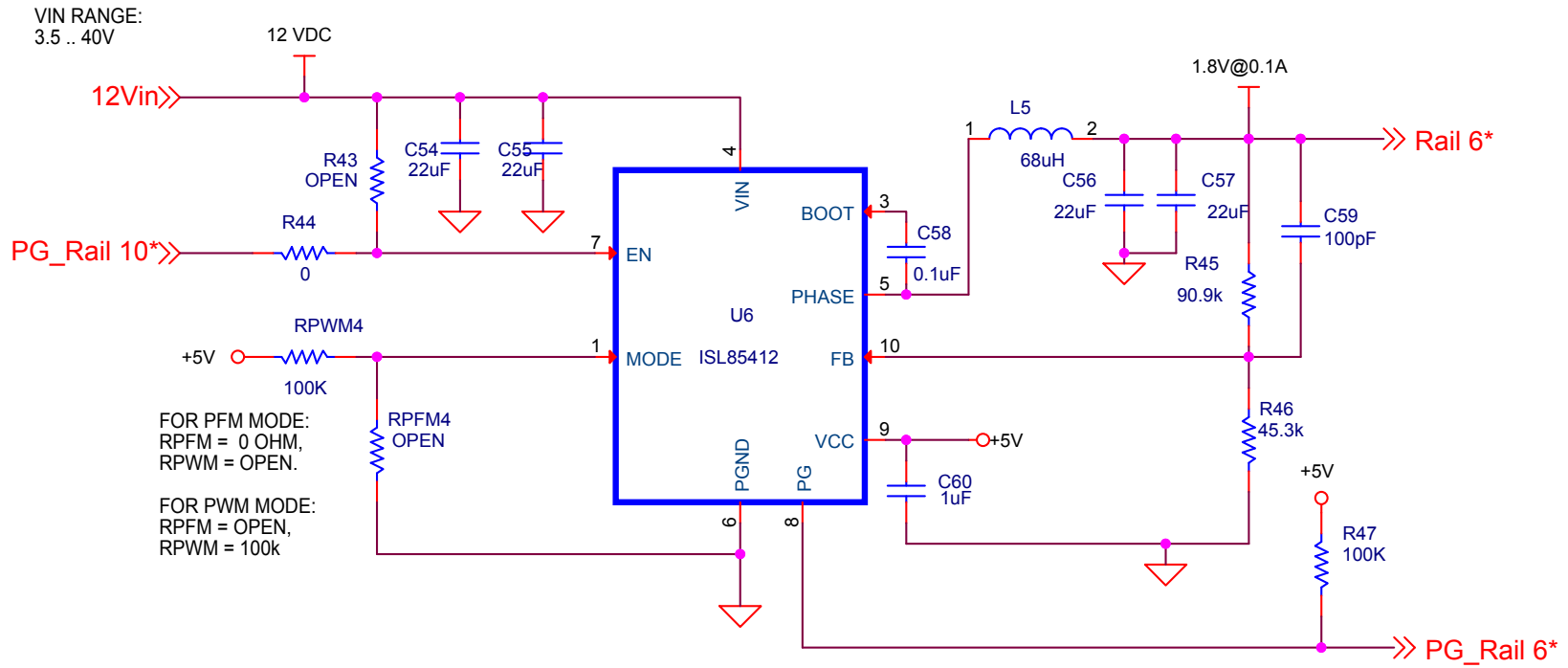
If custom compensation is desired, remove the ground connection on the COMP pin to enable external compensation.

OPEN value components on the COMP pin are place holders if external compensation is used.

Programmable Soft Start is available in the ISL85003A (without synchronization)

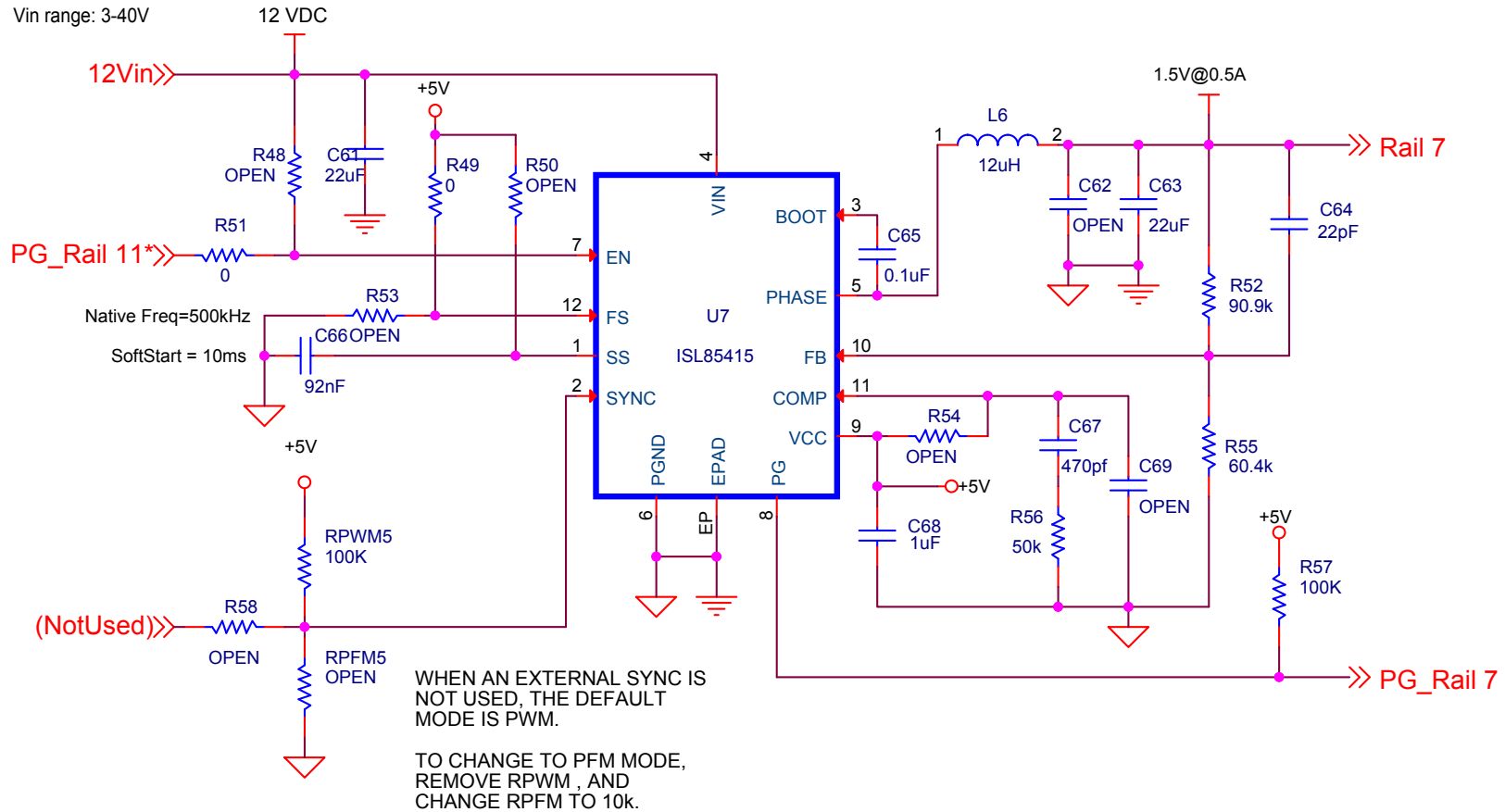
Title		
ISL85003-SINGLE-1		
Size	Document Number	Rev
A	<Doc>	<Rev Co
Date:	Tuesday, March 14, 2017	Sheet 6 of 17

ISL85412 SINGLE OUTPUT (150mA)



Title		
ISL85412-SINGLE-1		
Size	Document Number	Rev
A	<Doc>	
Date:	Thursday, March 09, 2017	Sheet 7 of 17

ISL85415 SINGLE OUTPUT (500mA)

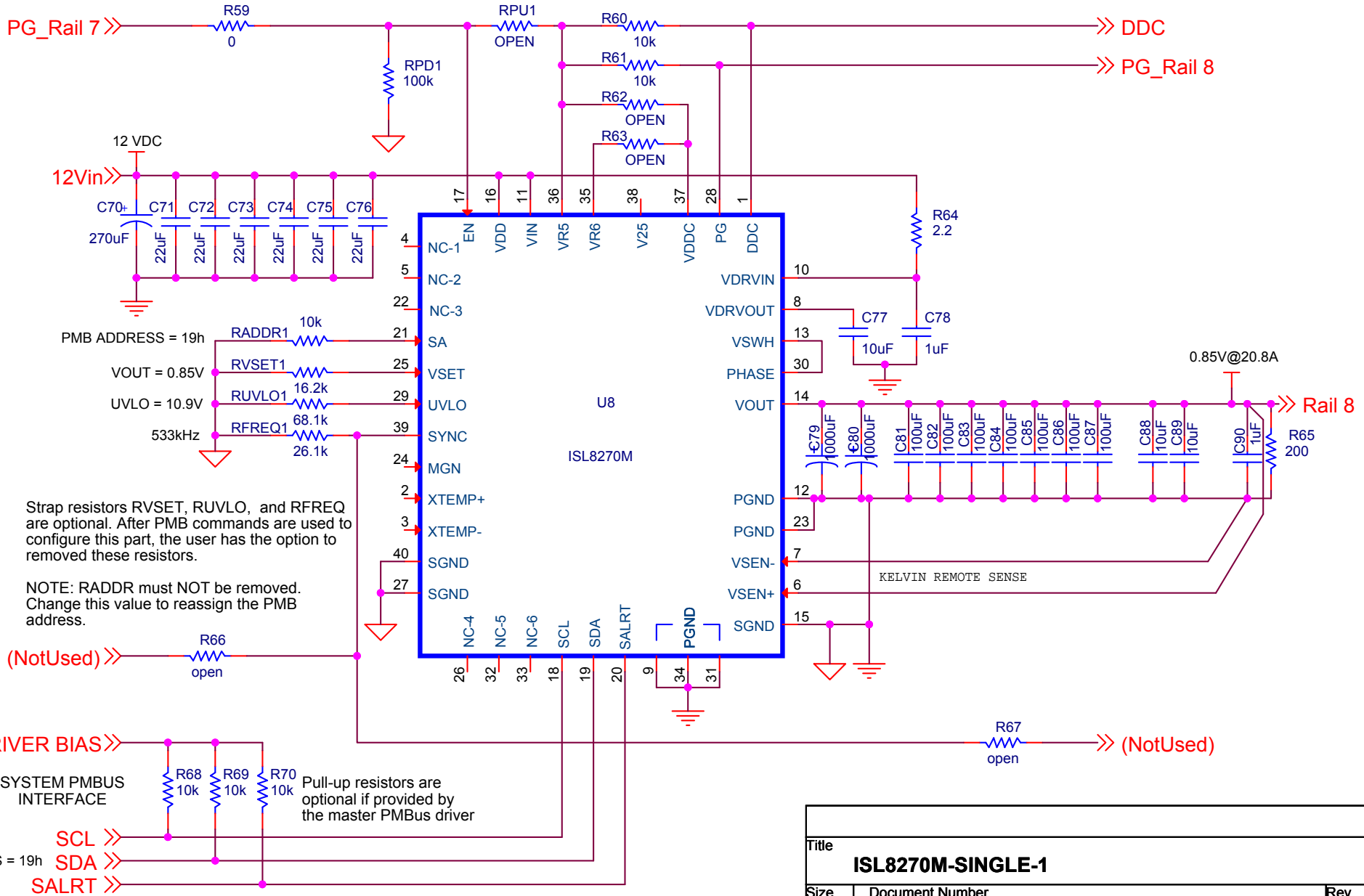


Title		
ISL85415-SINGLE-1		
Size A	Document Number	Rev
Date:	Thursday, March 09, 2017	Sheet 8 of 17

ISL8270M SINGLE OUTPUT (25A)

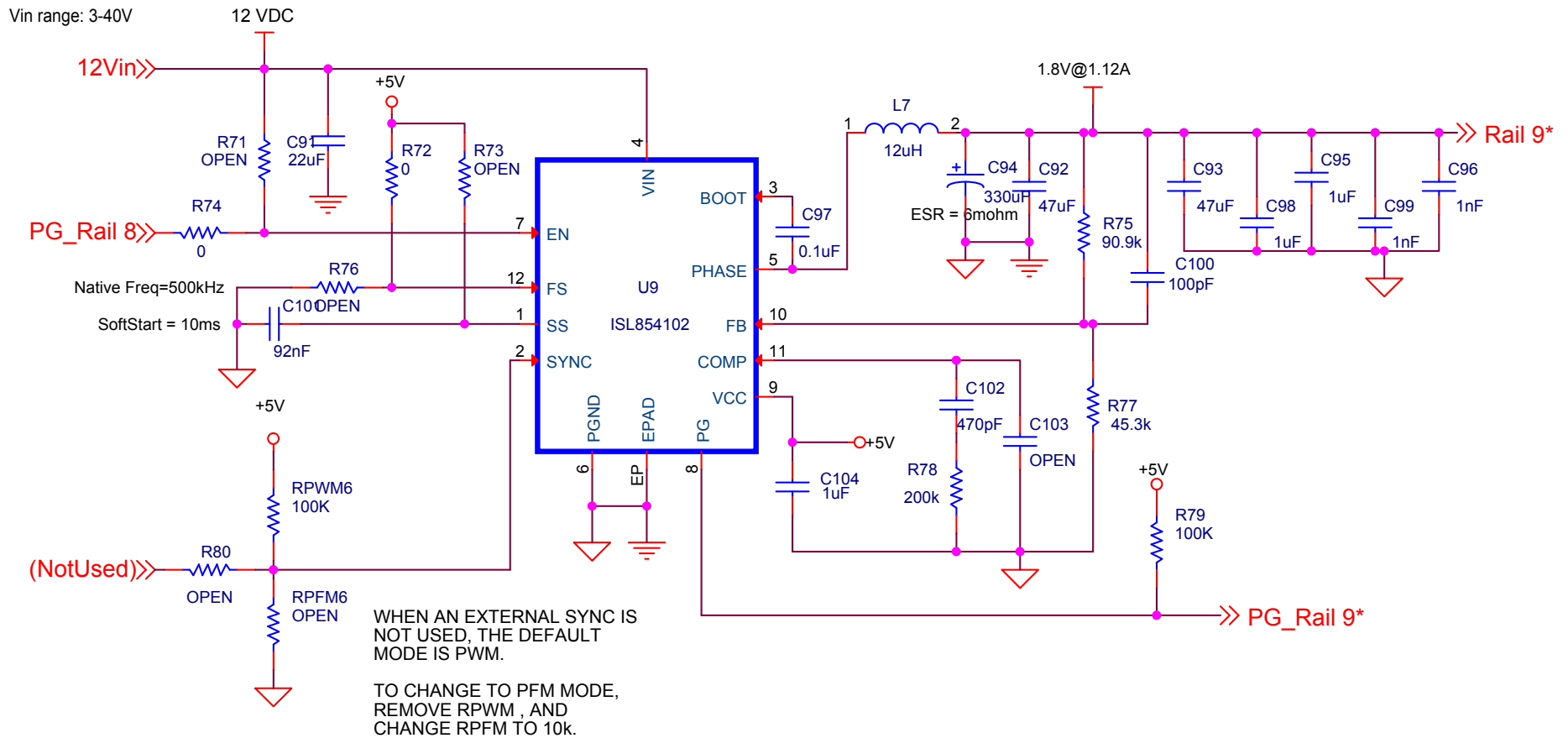
If an external ENABLE is not used, resistor RPU is a Enable pullup for initial evaluation without PMB commands.

Remove RPU and install RPD = 100k to make EN low to allow the use of PMB commands.



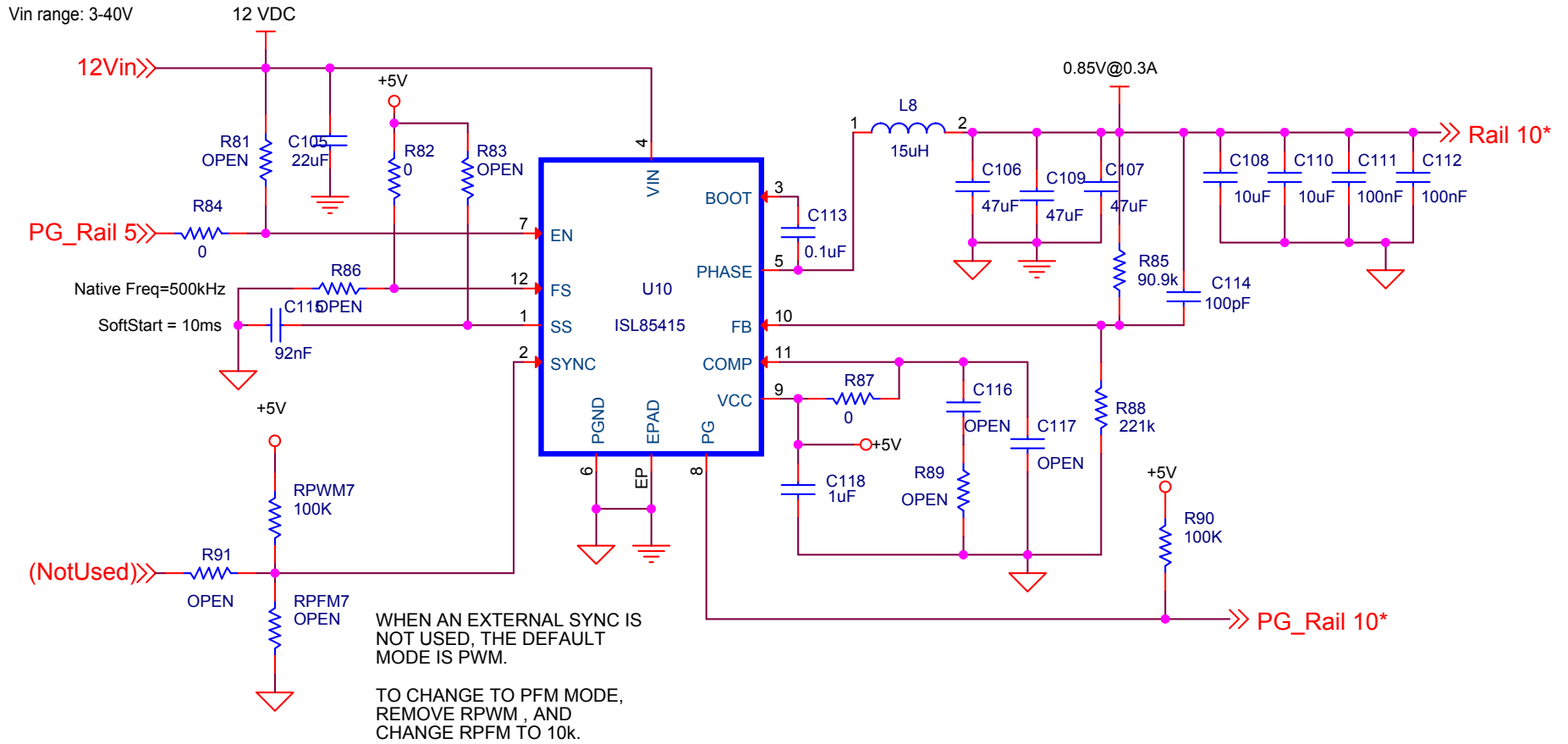
Title		
ISL8270M-SINGLE-1		
Size	Document Number	Rev
A		
Date:	Sheet	9 of 17

ISL854102 SINGLE OUTPUT (1.2A)



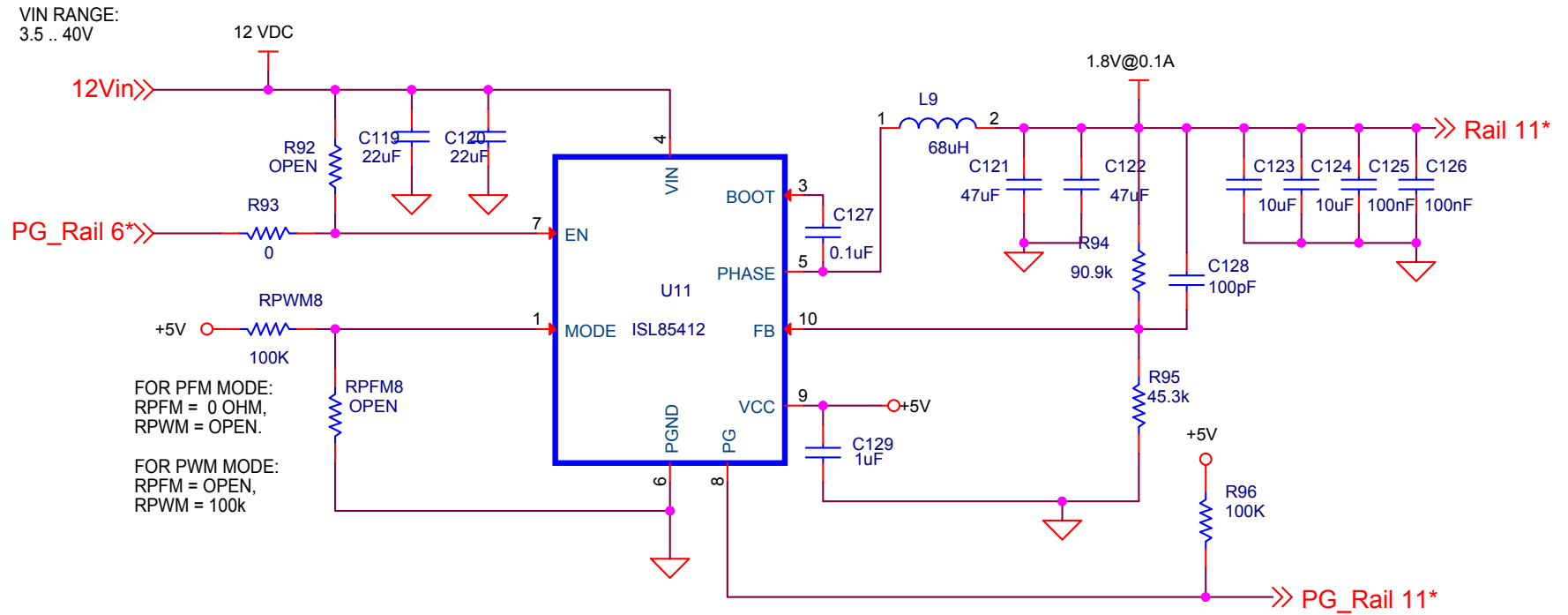
Title		
ISL854102-SINGLE-1		
Size A	Document Number	Rev
Date:	Thursday, March 09, 2017	Sheet 10 of 17

ISL85415 SINGLE OUTPUT (500mA)



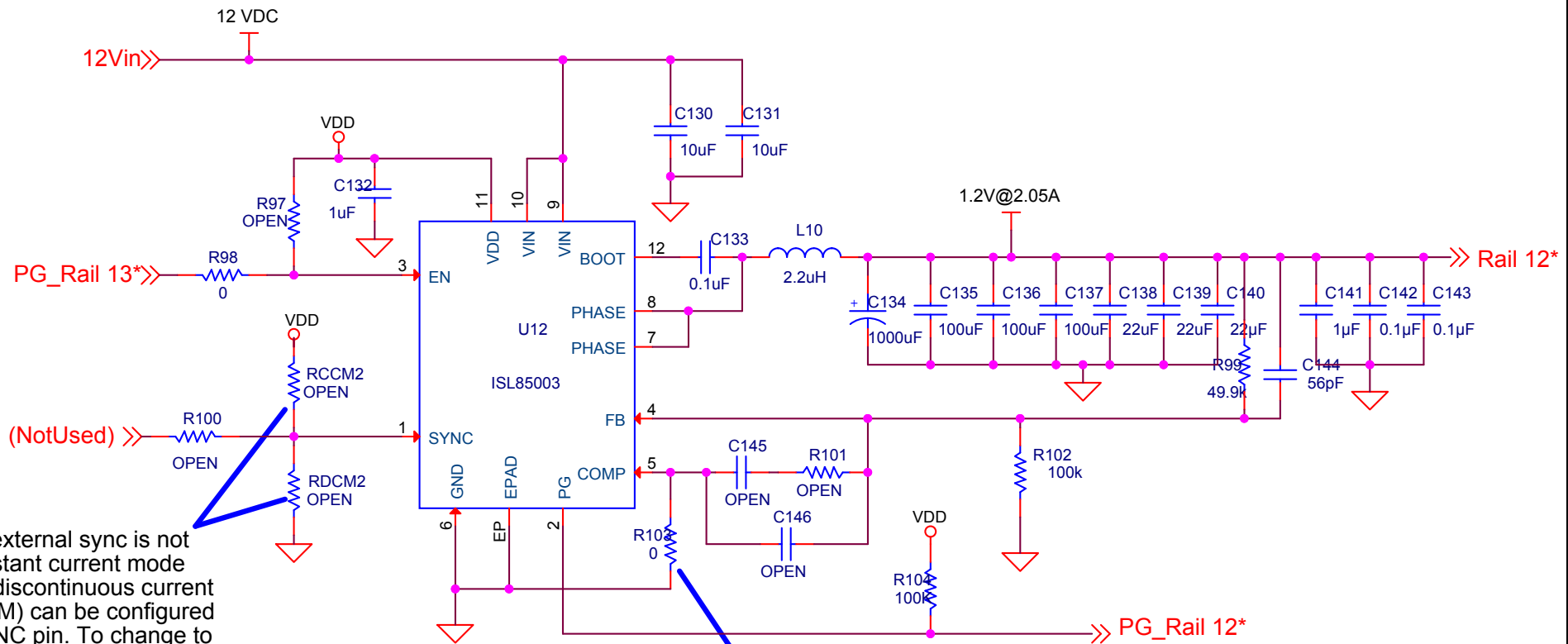
Title		
ISL85415-SINGLE-1		
Size A	Document Number	Rev
Date:	Thursday, March 09, 2017	Sheet 11 of 17

ISL85412 SINGLE OUTPUT (150mA)



Title		
ISL85412-SINGLE-1		
Size	Document Number	Rev
A	<Doc>	
Date:	Thursday, March 09, 2017	Sheet 12 of 17

ISL85003 SINGLE OUTPUT (3A)



When an external sync is not used, constant current mode (CCM) or discontinuous current mode (DCM) can be configured on the SYNC pin. To change to DCM mode, remove RCCM, and change RDCM to 0 ohms.

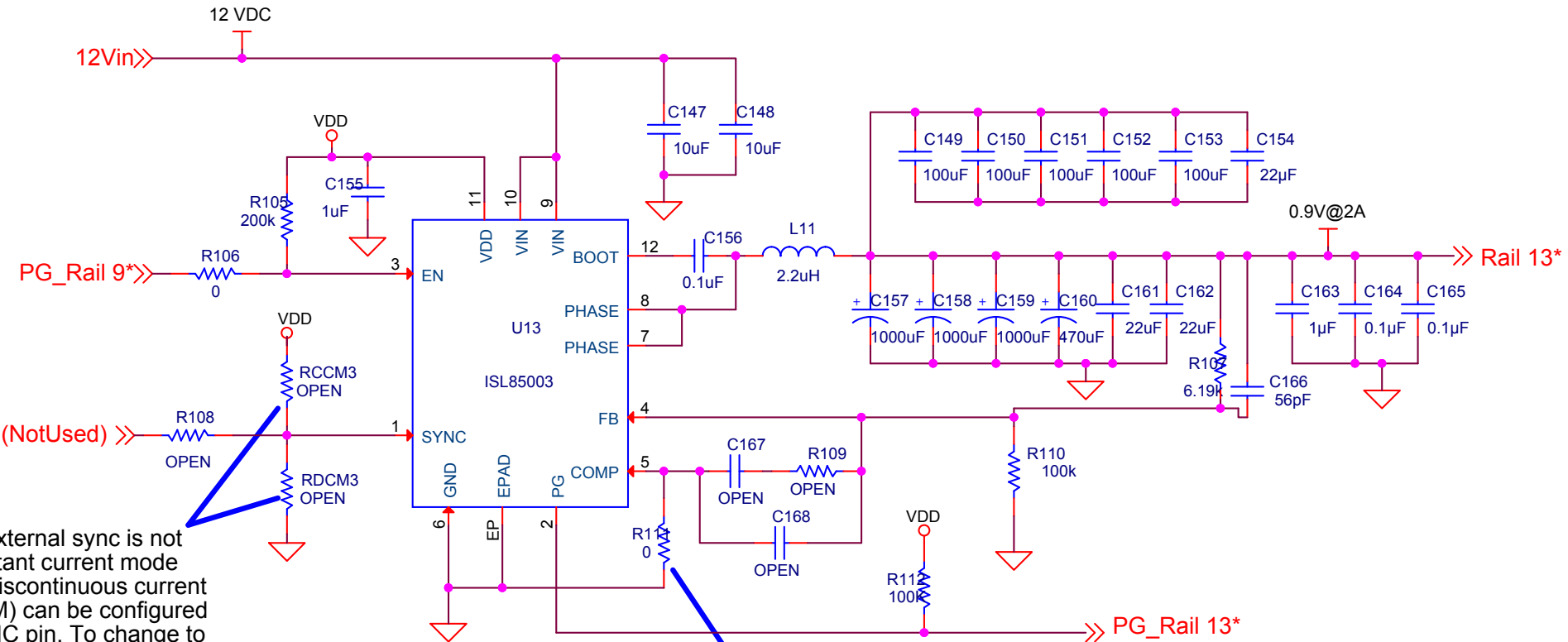
If custom compensation is desired, remove the ground connection on the COMP pin to enable external compensation.

OPEN value components on the COMP pin are place holders if external compensation is used.

Programmable Soft Start is available in the ISL85003A (without synchronization)

Title		
ISL85003-SINGLE-1		
Size	Document Number	Rev
A	<Doc>	<Rev Co
Date:	Thursday, March 09, 2017	Sheet 13 of 17

ISL85003 SINGLE OUTPUT (3A)



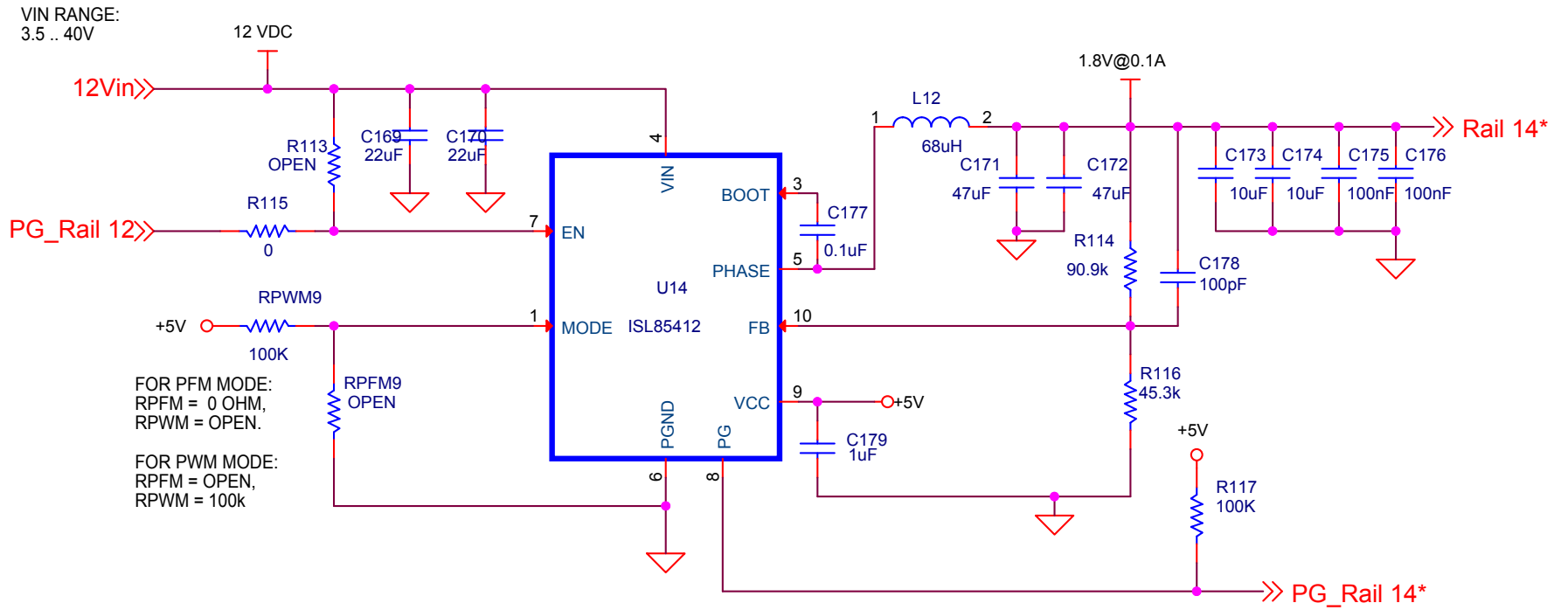
When an external sync is not used, constant current mode (CCM) or discontinuous current mode (DCM) can be configured on the SYNC pin. To change to DCM mode, remove RCCM, and change RDCM to 0 ohms.

If custom compensation is desired, remove the ground connection on the COMP pin to enable external compensation.

OPEN value components on the COMP pin are place holders if external compensation is used. Programmable Soft Start is available in the ISL85003A (without synchronization)

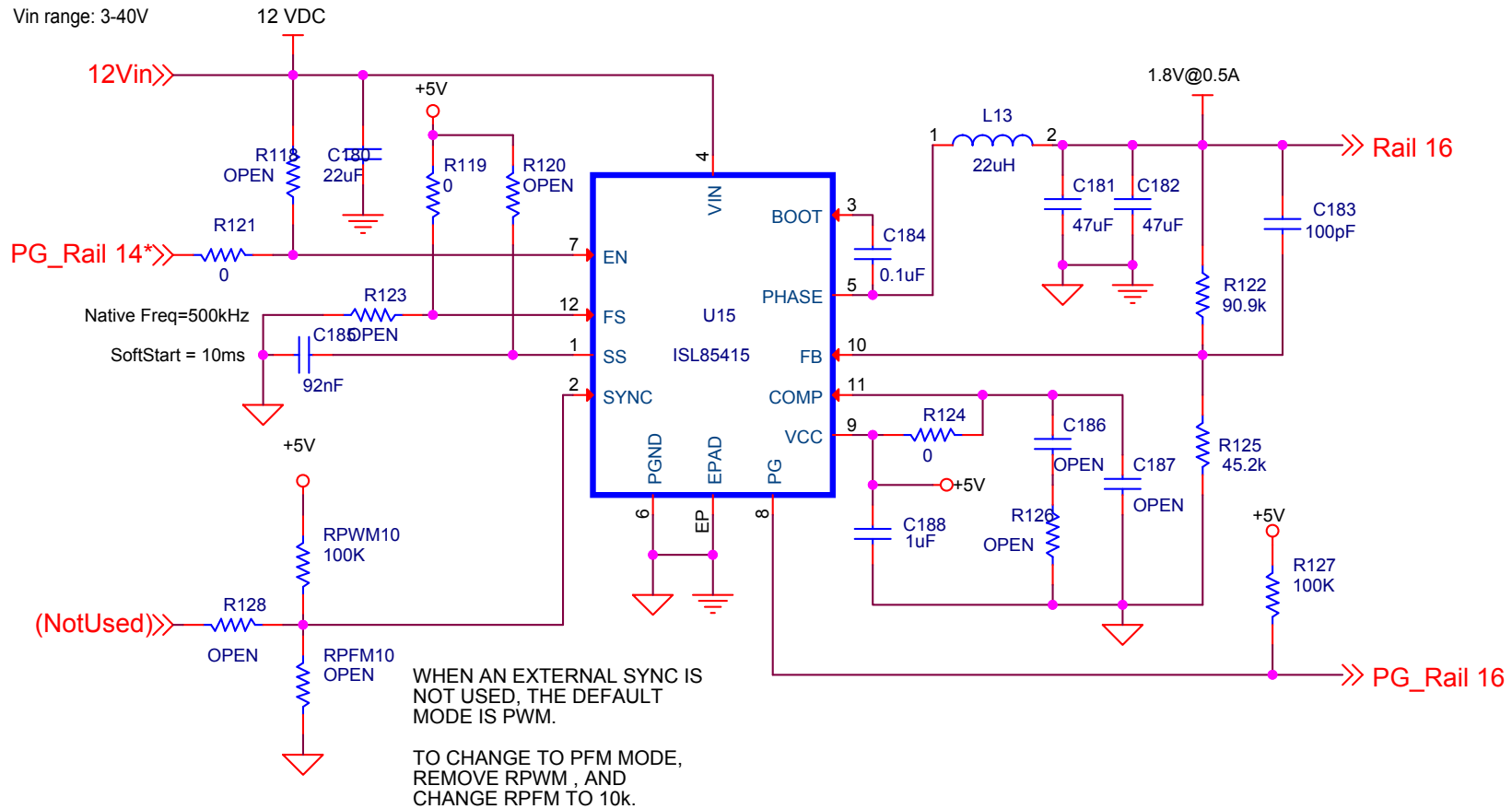
Title		
ISL85003-SINGLE-1		
Size	Document Number	Rev
A	<Doc>	<Rev Co
Date:	Thursday, March 09, 2017	Sheet 14 of 17

ISL85412 SINGLE OUTPUT (150mA)



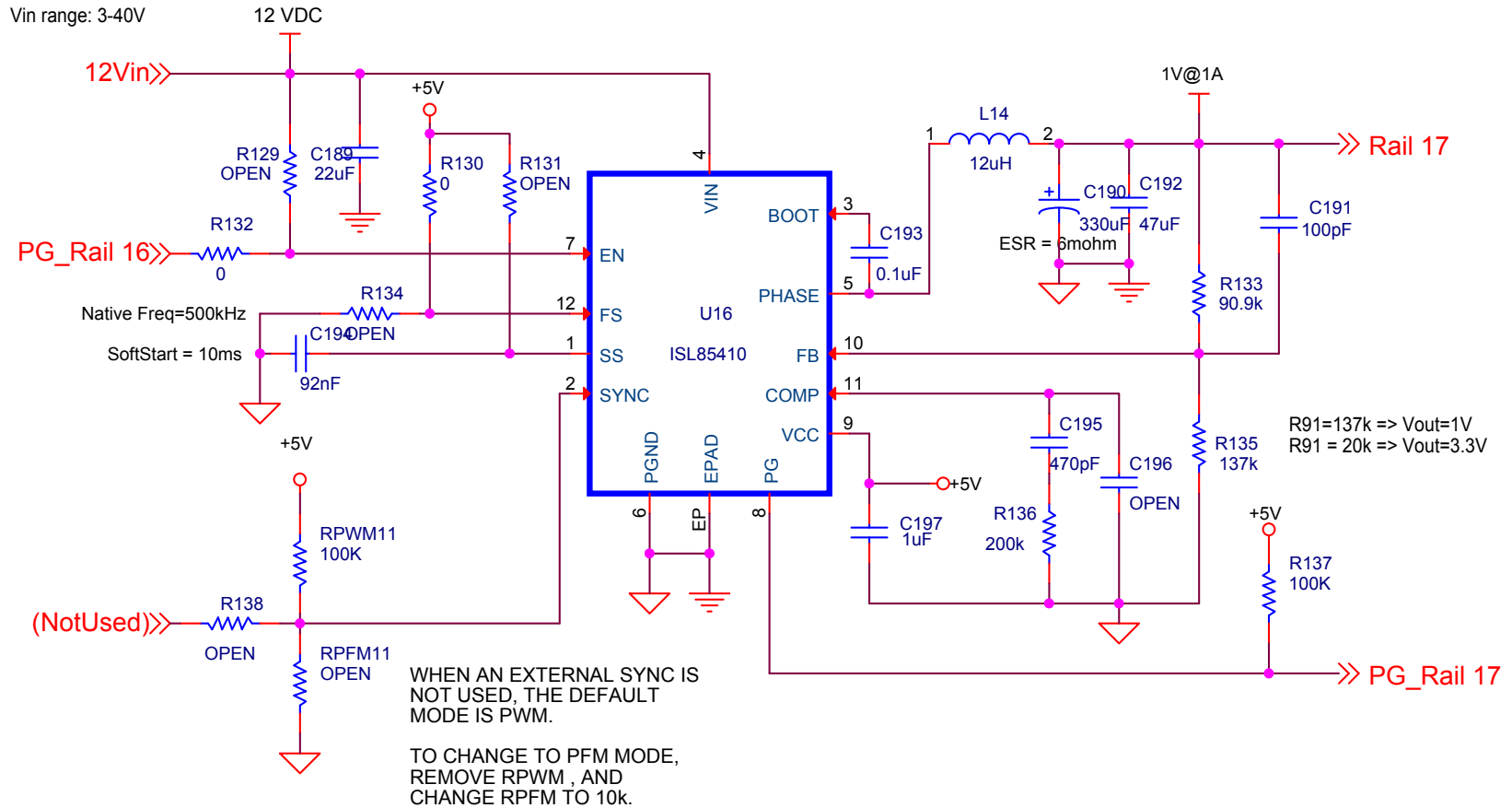
Title		
ISL85412-SINGLE-1		
Size	Document Number	Rev
A	<Doc>	
Date:	Thursday, March 09, 2017	Sheet 15 of 17
	2	1

ISL85415 SINGLE OUTPUT (500mA)



Title		
ISL85415-SINGLE-1		
Size A	Document Number	Rev
Date:	Thursday, March 09, 2017	Sheet 16 of 17

ISL85410 SINGLE OUTPUT (1A)



Title		
ISL85410-SINGLE-1		
Size A	Document Number	Rev
Date:	Tuesday, March 14, 2017	Sheet 17 of 17