

REVISIONS				
DCN	REV	DESCRIPTION	DATE	CHANGE BY
	1.0	INITIAL RELEASE	2009-12-05	T. TRAN

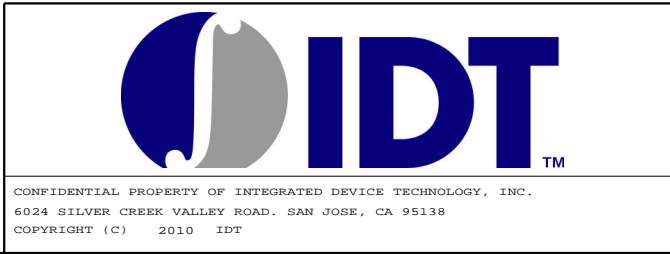
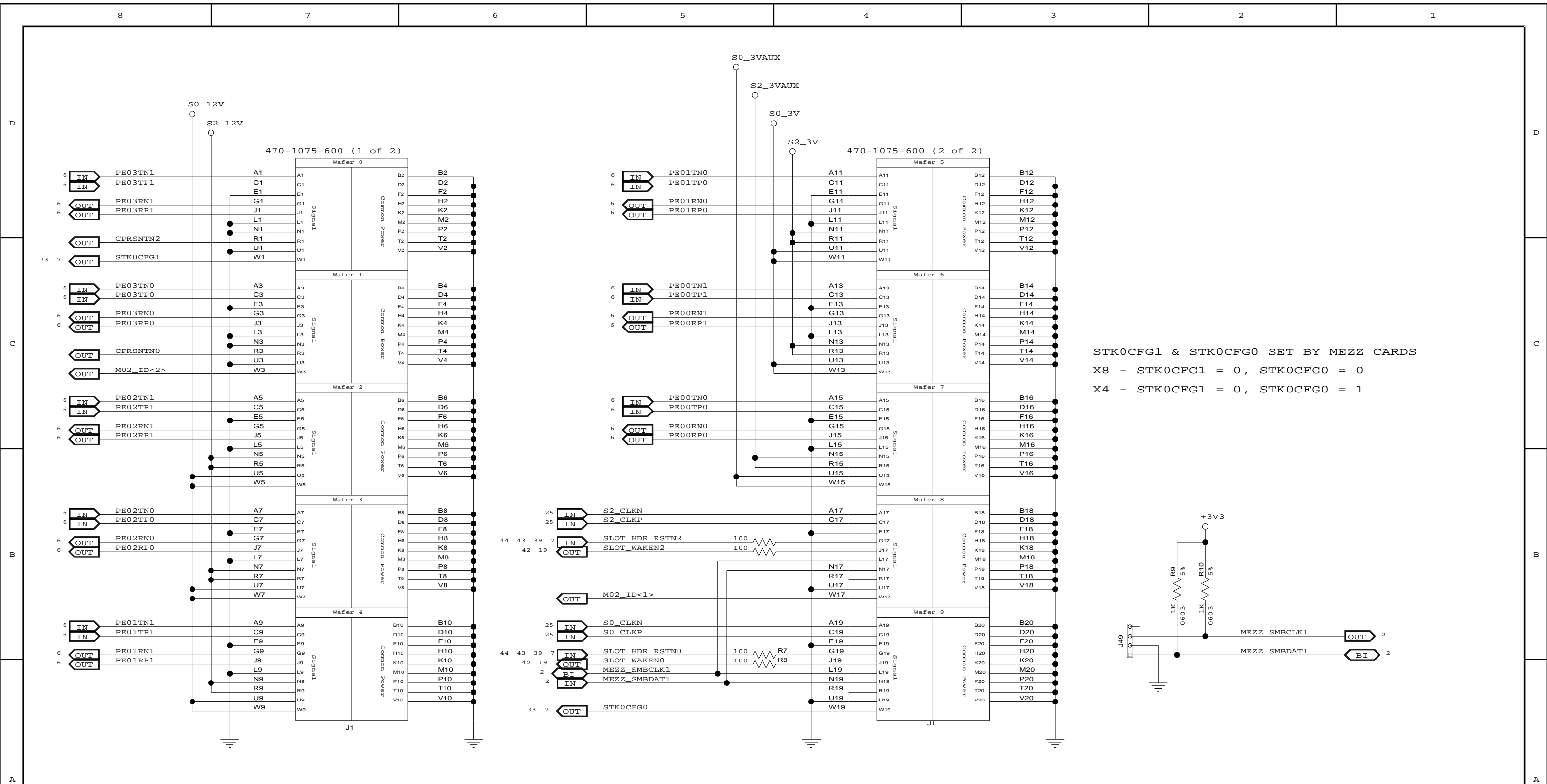
1. TITLE PAGE / TABLE OF CONTENTS

2.	MEZZANINE CONNECTOR PORTS	0, 2	27.	POWER REGULATOR - VDDIO
3.	MEZZANINE CONNECTOR PORTS	4, 6	28.	POWER REGULATOR - VDDCORE
4.	MEZZANINE CONNECTOR PORTS	8, 12	29.	POWER REGULATOR - VDDPEA
5.	MEZZANINE CONNECTOR PORTS	16, 20	30.	POWER REGULATOR - VDDPEHA
6.	32NT24AG2 - SERDES		31.	POWER REGULATOR - VDDPETA
7.	32NT24AG2 - CLK, CONFIG, GPIO		32.	RESET, SMBUS, EEPROM, JTAG
8.	32NT24AG2 - POWER, GND		33.	DIP SWITCHES
9.	IOEXPANDER 0-3		34.	LED - PORT STATUS (1 OF 7)
10.	IOEXPANDER 4-7		35.	LED - PORT STATUS (2 OF 7)
11.	IOEXPANDER 8-11		36.	LED - PORT STATUS (3 OF 7)
12.	IOEXPANDER 12-13		37.	LED - PORT STATUS (4 OF 7)
13.	IOEXPANDER 16-19		38.	LED - PORT STATUS (5 OF 7)
14.	IOEXPANDER 20-21		39.	LED - PORT STATUS (6 OF 7)
15.	HOT PLUG CONTROL PORTS	0-2	40.	LED - PORT STATUS (7 OF 7)
16.	HOT PLUG CONTROL PORTS	4-6	41.	MIN LOAD RESISTORS
17.	HOT PLUG CONTROL PORTS	8-12	42.	12PK RIBBON CONNECTORS
18.	HOT PLUG CONTROL PORTS	16-20	43.	PARTITION RESET SELECT HEADERS
19.	SLOT RESETS AND WAKE PULL-UPS		44.	SLOT RESET SELECT HEADERS
20.	CLOCK GENERATOR / SOURCE INPUT		45.	PORT 0 CLOCK GENERATOR
21.	CLOCK BUFFER - 1		46.	PORT 2 CLOCK GENERATOR
22.	CLOCK SELECTOR DUT PCLK 8		47.	PORT 4 CLOCK GENERATOR
23.	CLOCK SELECTOR DUT PCLK 16		48.	PORT 6 CLOCK GENERATOR
24.	CLOCK SELECTOR - DUT PCLK 0-20, GCLK 1-2		49.	PORT 8 CLOCK GENERATOR
25.	CLOCK SELECTOR - SLOTS 0-20		50.	PORT 12 CLOCK GENERATOR
26.	POWER CONNECTORS		51.	PORT 16 CLOCK GENERATOR
			52.	PORT 20 CLOCK GENERATOR

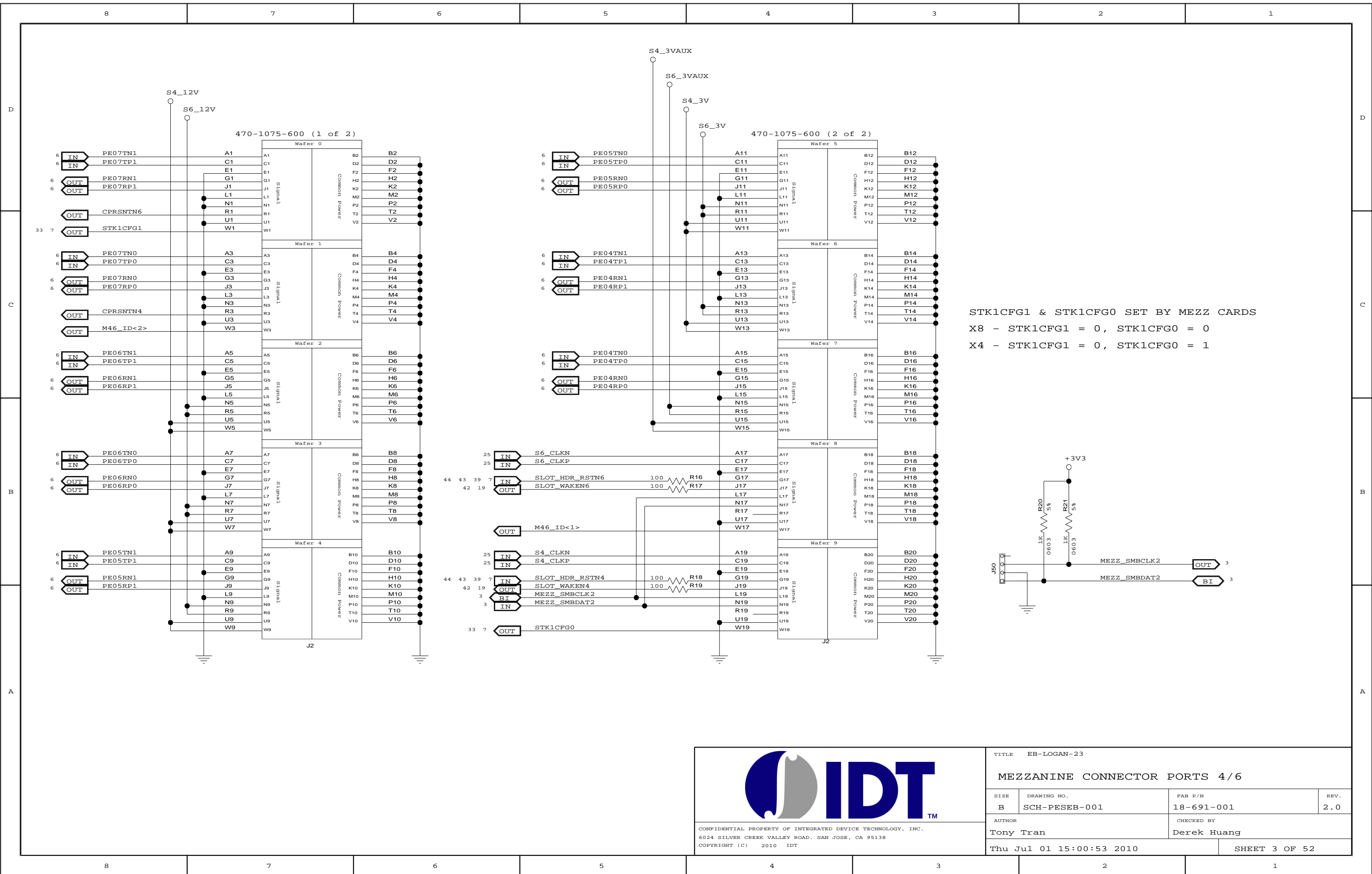


CONFIDENTIAL PROPERTY OF INTEGRATED DEVICE TECHNOLOGY, INC.
6024 SILVER CREEK VALLEY ROAD, SAN JOSE, CA 95138
COPYRIGHT (C) 2009


TITLE EB-LOGAN-23			
SIZE B	DRAWING NO. SCH-PESEB-001	FAB P/N 18-691-001	REV. 2.0
AUTHOR Tony Tran		CHECKED BY Derek Huang	
Thu Jul 01 15:00:52 2010			SHEET 1 OF 52



TITLE EB-LOGAN-23			
MEZZANINE CONNECTOR PORTS 0/2			
SIZE B	DRAWING NO. SCH-PESEB-001	FAB P/N 18-691-001	REV. 2.0
AUTHOR Tony Tran		CHECKED BY Derek Huang	
Thu Jul 01 15:00:53 2010			SHEET 2 OF 52



STK1CFG1 & STK1CFG0 SET BY MEZZ CARDS
 X8 - STK1CFG1 = 0, STK1CFG0 = 0
 X4 - STK1CFG1 = 0, STK1CFG0 = 1



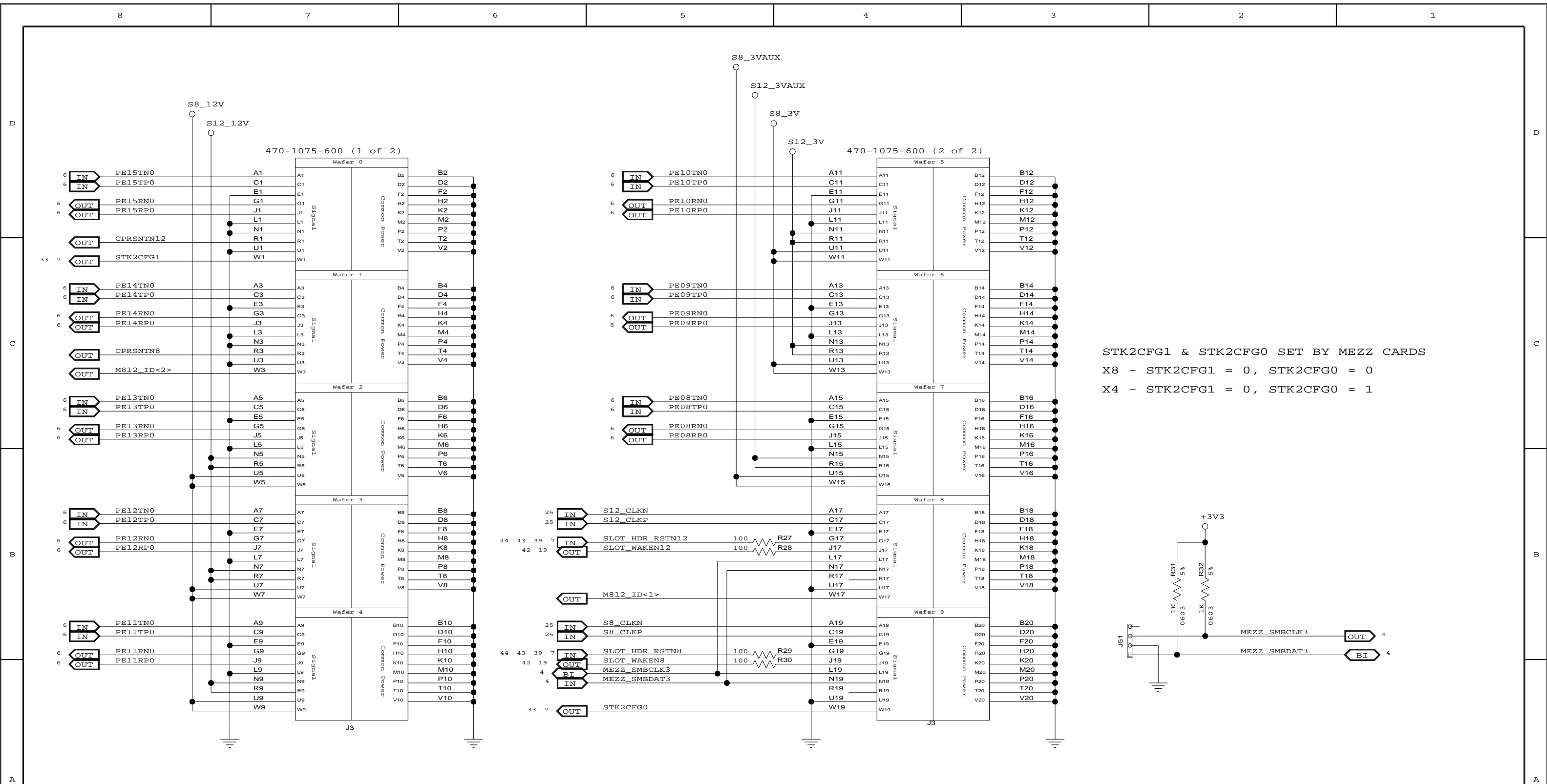
CONFIDENTIAL PROPERTY OF INTEGRATED DEVICE TECHNOLOGY, INC.
 6024 SILVER CREEK VALLEY ROAD, SAN JOSE, CA 95138
 COPYRIGHT (C) 2010 IDT

TITLE EB-LOGAN-23


MEZZANINE CONNECTOR PORTS 4/6

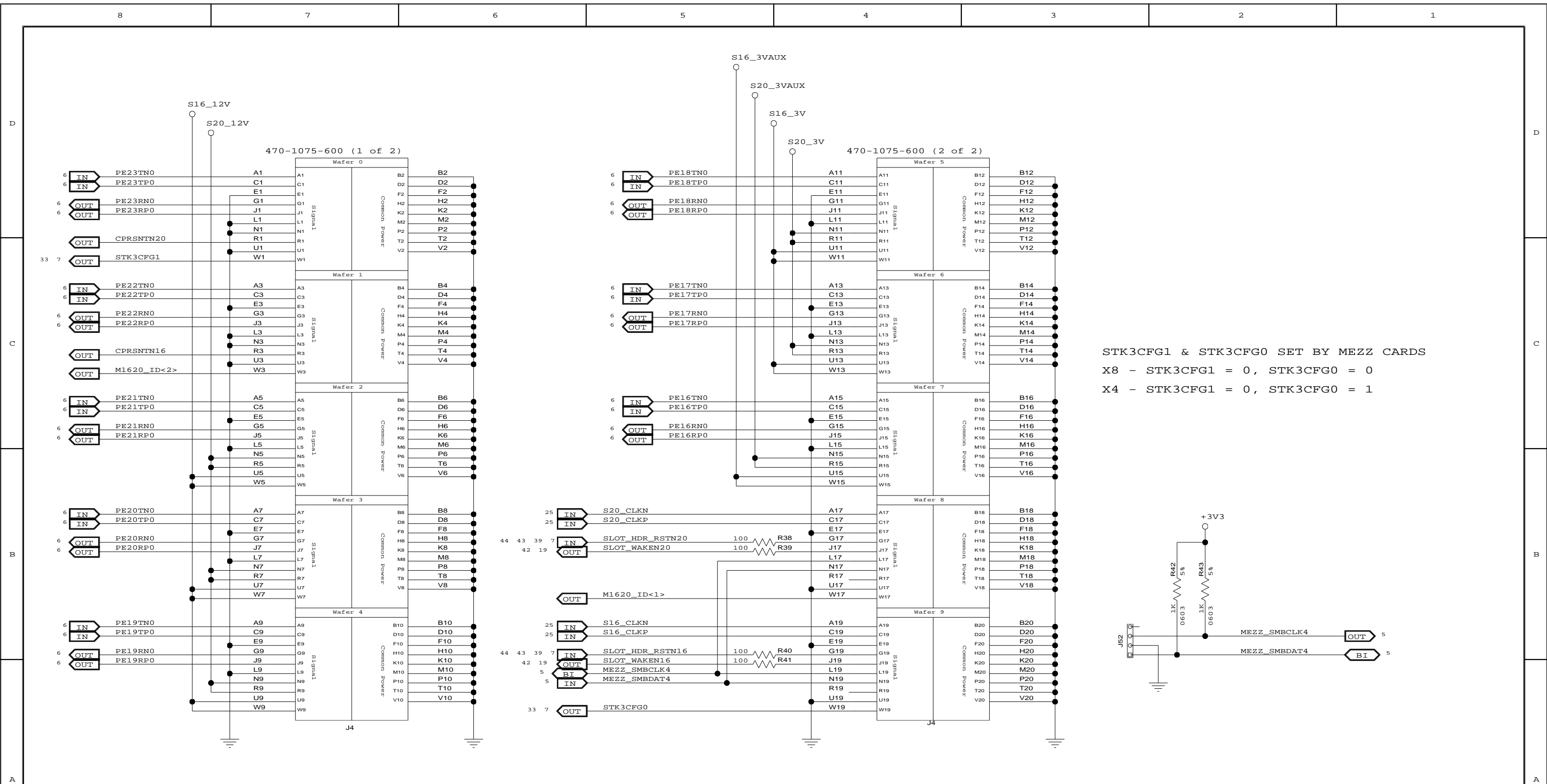
SIZE	DRAWING NO.	FAB P/N	REV.
B	SCH-PESEB-001	18-691-001	2.0
AUTHOR		CHECKED BY	
Tony Tran		Derek Huang	

Thu Jul 01 15:00:53 2010




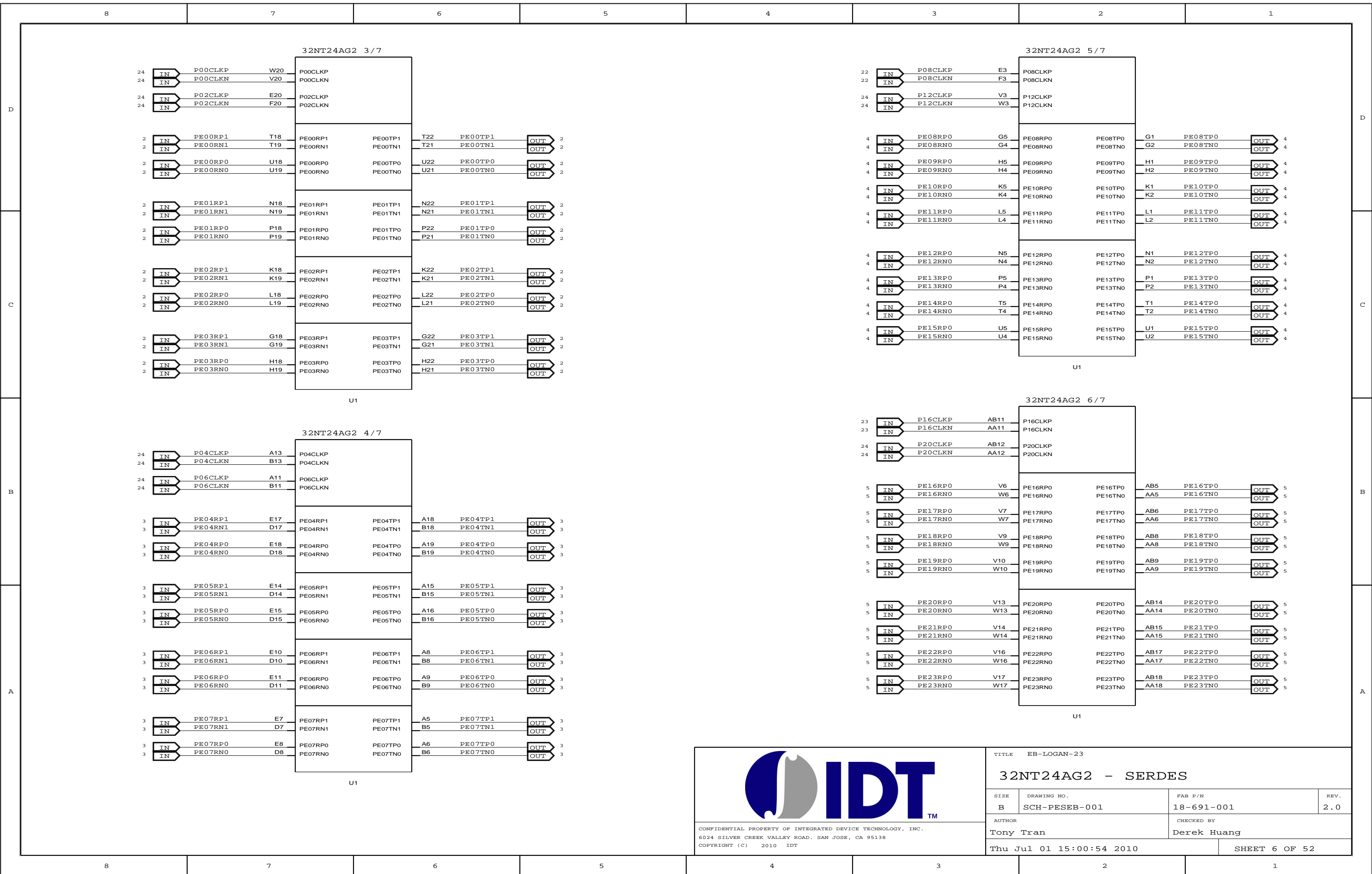
STK2CFG1 & STK2CFG0 SET BY MEZZ CARDS
 X8 - STK2CFG1 = 0, STK2CFG0 = 0
 X4 - STK2CFG1 = 0, STK2CFG0 = 1


				TITLE EB-LOGAN-23			
CONFIDENTIAL PROPERTY OF INTEGRATED DEVICE TECHNOLOGY, INC. 6024 SILVER CREEK VALLEY ROAD, SAN JOSE, CA 95138 COPYRIGHT (C) 2010 IDT				MEZZANINE CONNECTOR PORTS 8/12			
SIZE	DRAWING NO.	FAB P/N	REV.				
B	SCH-PESEB-001	18-691-001	2.0				
AUTHOR			CHECKED BY				
Tony Tran			Derek Huang				
Thu Jul 01 15:00:53 2010				SHEET 4 OF 52			

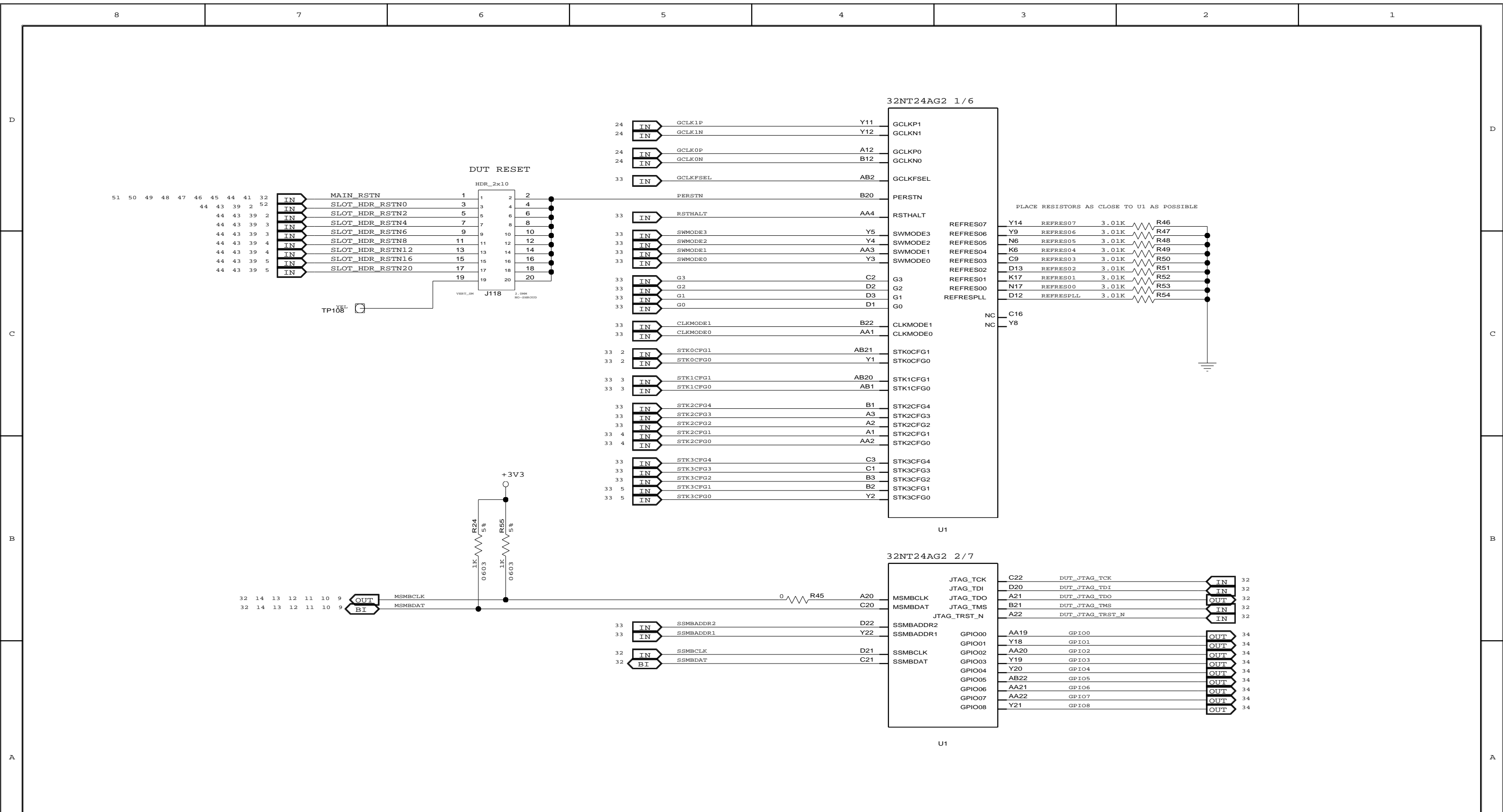



STK3CFG1 & STK3CFG0 SET BY MEZZ CARDS
 X8 - STK3CFG1 = 0, STK3CFG0 = 0
 X4 - STK3CFG1 = 0, STK3CFG0 = 1

				TITLE EB-LOGAN-23			
CONFIDENTIAL PROPERTY OF INTEGRATED DEVICE TECHNOLOGY, INC. 6024 SILVER CREEK VALLEY ROAD, SAN JOSE, CA 95138 COPYRIGHT (C) 2010 IDT				MEZZANINE CONNECTOR PORTS 16/20			
SIZE	DRAWING NO.	FAB P/N	REV.				
B	SCH-PESEB-001	18-691-001	2.0				
AUTHOR			CHECKED BY				
Tony Tran			Derek Huang				
Thu Jul 01 15:00:53 2010				SHEET 5 OF 52			



		TITLE EB-LOGAN-23	
		32NT24AG2 - SERDES	
SIZE B	DRAWING NO. SCH-PESEB-001	FAB P/N 18-691-001	REV. 2.0
AUTHOR Tony Tran		CHECKED BY Derek Huang	
CONFIDENTIAL PROPERTY OF INTEGRATED DEVICE TECHNOLOGY, INC. 6024 SILVER CREEK VALLEY ROAD. SAN JOSE, CA 95138 COPYRIGHT (C) 2010 IDT		Thu Jul 01 15:00:54 2010 SHEET 6 OF 52	



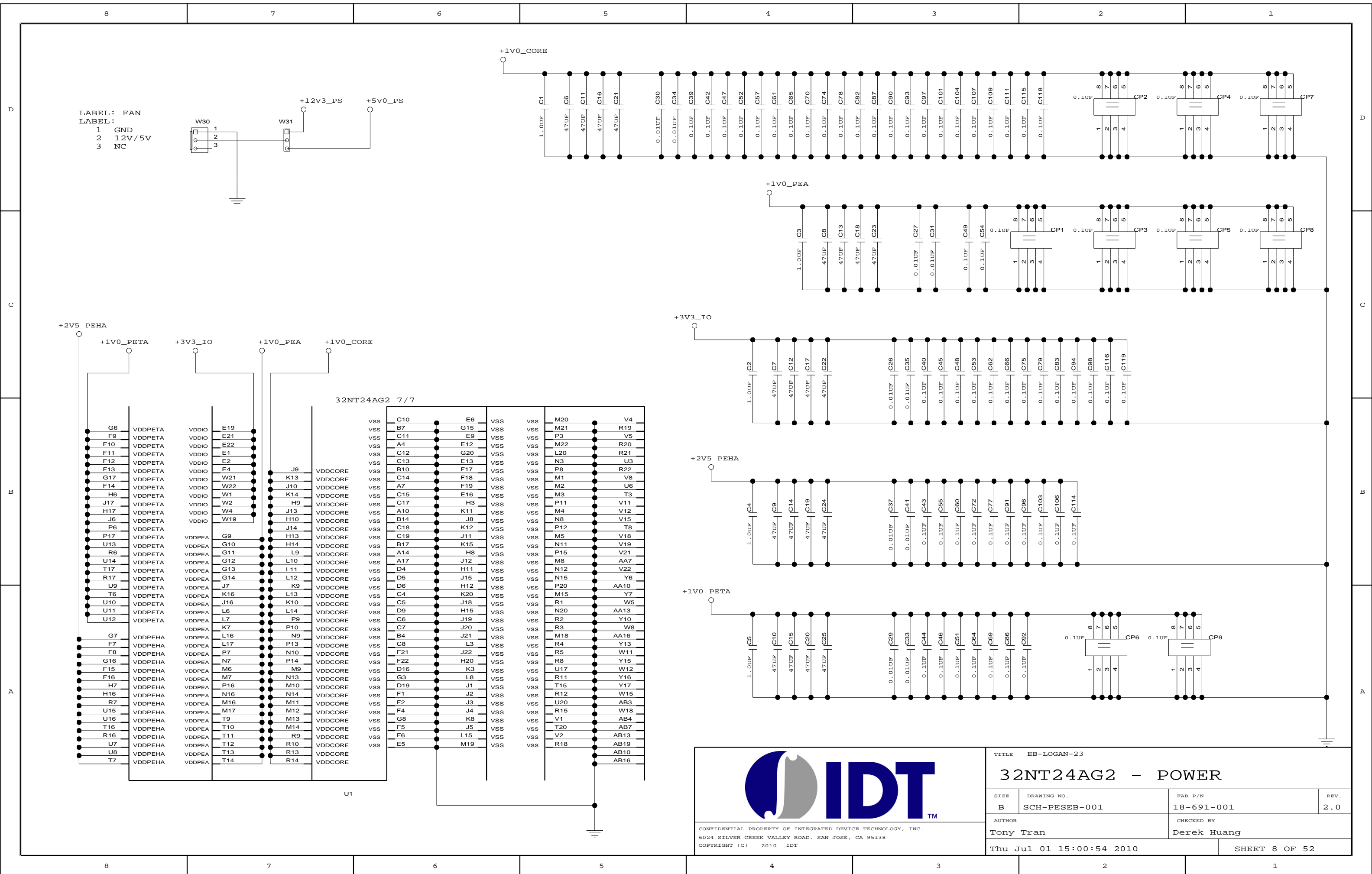


CONFIDENTIAL PROPERTY OF INTEGRATED DEVICE TECHNOLOGY, INC.
6024 SILVER CREEK VALLEY ROAD. SAN JOSE, CA 95138
COPYRIGHT (C) 2010 IDT

TITLE EB-LOGAN-23

32NT24AG2 CLK, CONFIG, GPIO

SIZE	DRAWING NO.	FAB P/N	REV.
B	SCH-PESEB-001	18-691-001	2.0
AUTHOR		CHECKED BY	
Tony Tran		Derek Huang	
Thu Jul 01 15:00:54 2010			SHEET 7 OF 52



LABEL: FAN
 LABEL:
 1 GND
 2 12V/5V
 3 NC

32NT24AG2 7/7

VSS	C10	E6	VSS	VSS	M20	V4
VSS	B7	G15	VSS	VSS	M21	R19
VSS	C11	E9	VSS	VSS	P3	V5
VSS	A4	E12	VSS	VSS	M22	R20
VSS	C12	G20	VSS	VSS	L20	R21
VSS	C13	E13	VSS	VSS	N3	U3
VSS	B10	F17	VSS	VSS	P8	R22
VSS	C14	F18	VSS	VSS	M1	V8
VSS	A7	F19	VSS	VSS	M2	U6
VSS	C15	E16	VSS	VSS	M3	T3
VSS	C17	H3	VSS	VSS	P11	V11
VSS	A10	K11	VSS	VSS	M4	V12
VSS	B14	J8	VSS	VSS	N8	V15
VSS	C18	K12	VSS	VSS	P12	T8
VSS	C19	J11	VSS	VSS	M5	V18
VSS	B17	K15	VSS	VSS	N11	V19
VSS	A14	H8	VSS	VSS	P15	V21
VSS	A17	J12	VSS	VSS	M8	AA7
VSS	D4	H11	VSS	VSS	N12	V22
VSS	D5	J15	VSS	VSS	N15	Y6
VSS	D6	H12	VSS	VSS	P20	AA10
VSS	C4	K20	VSS	VSS	M15	Y7
VSS	C5	J18	VSS	VSS	R1	W5
VSS	D9	H15	VSS	VSS	N20	AA13
VSS	C6	J19	VSS	VSS	R2	Y10
VSS	C7	J20	VSS	VSS	R3	W8
VSS	B4	J21	VSS	VSS	M18	AA16
VSS	C8	L3	VSS	VSS	R4	Y13
VSS	F21	J22	VSS	VSS	R5	W11
VSS	F22	H20	VSS	VSS	R8	Y15
VSS	D16	K3	VSS	VSS	U17	W12
VSS	G3	L8	VSS	VSS	R11	Y16
VSS	D19	J1	VSS	VSS	T15	Y17
VSS	F1	J2	VSS	VSS	R12	W15
VSS	F2	J3	VSS	VSS	U20	AB3
VSS	F4	J4	VSS	VSS	R15	W18
VSS	G8	K8	VSS	VSS	V1	AB4
VSS	F5	J5	VSS	VSS	T20	AB7
VSS	F6	L15	VSS	VSS	V2	AB13
VSS	E5	M19	VSS	VSS	R18	AB19
						AB10
						AB16



CONFIDENTIAL PROPERTY OF INTEGRATED DEVICE TECHNOLOGY, INC.
 6024 SILVER CREEK VALLEY ROAD, SAN JOSE, CA 95138
 COPYRIGHT (C) 2010 IDT

TITLE EB-LOGAN-23			
32NT24AG2 - POWER			
SIZE B	DRAWING NO. SCH-PESEB-001	FAB P/N 18-691-001	REV. 2.0
AUTHOR Tony Tran		CHECKED BY Derek Huang	
Thu Jul 01 15:00:54 2010			SHEET 8 OF 52

D

D

C

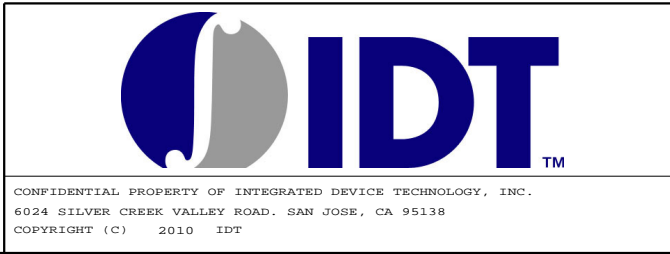
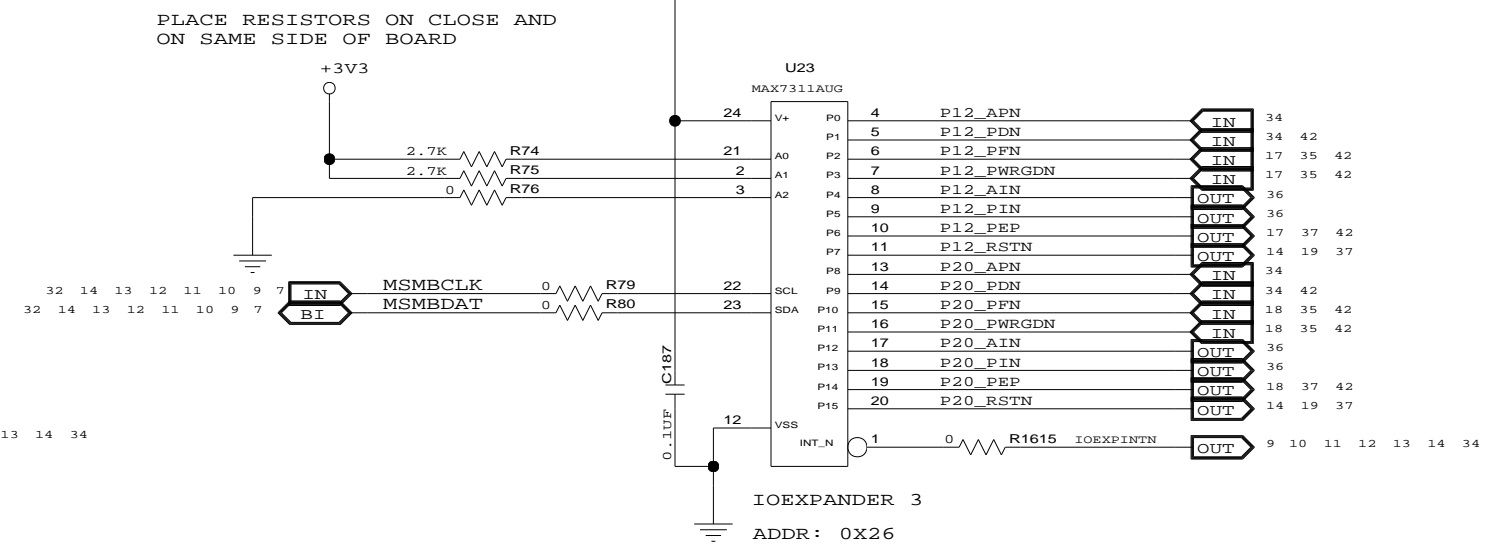
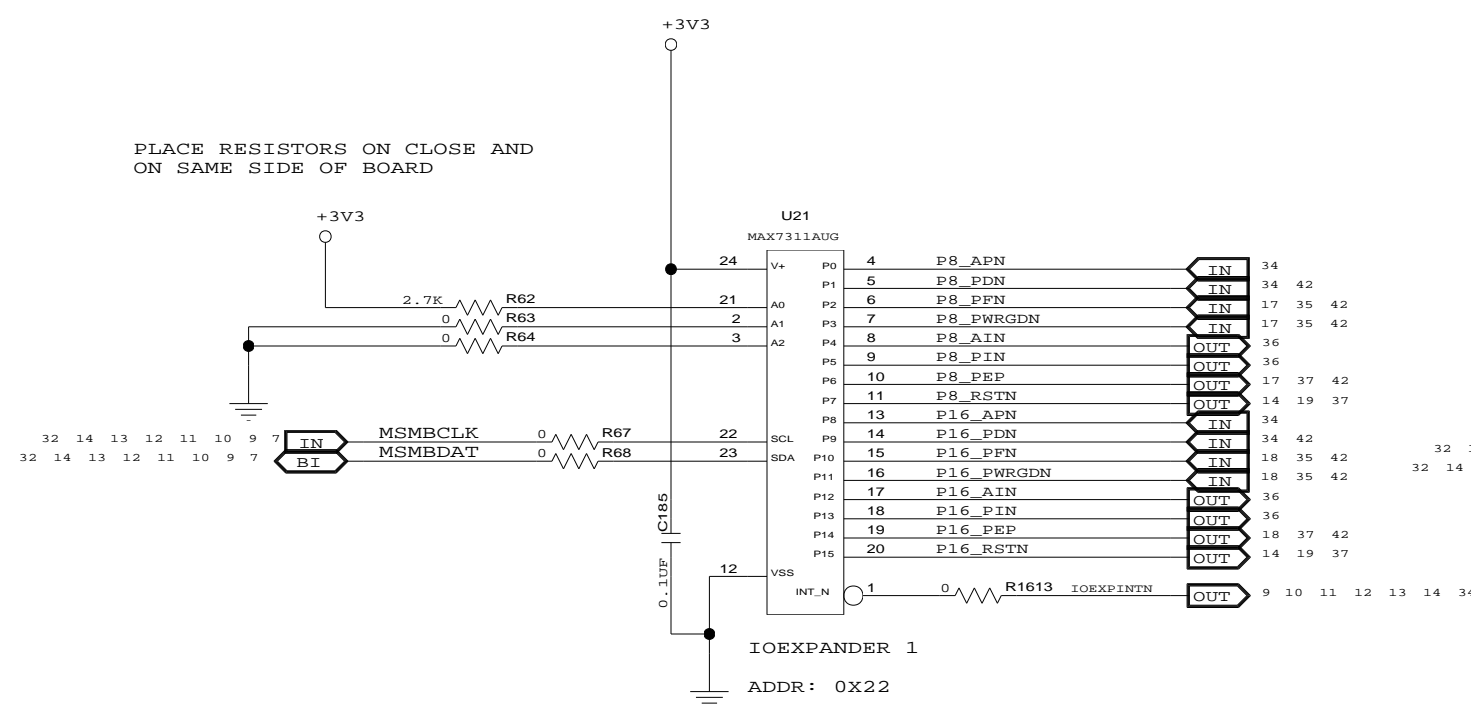
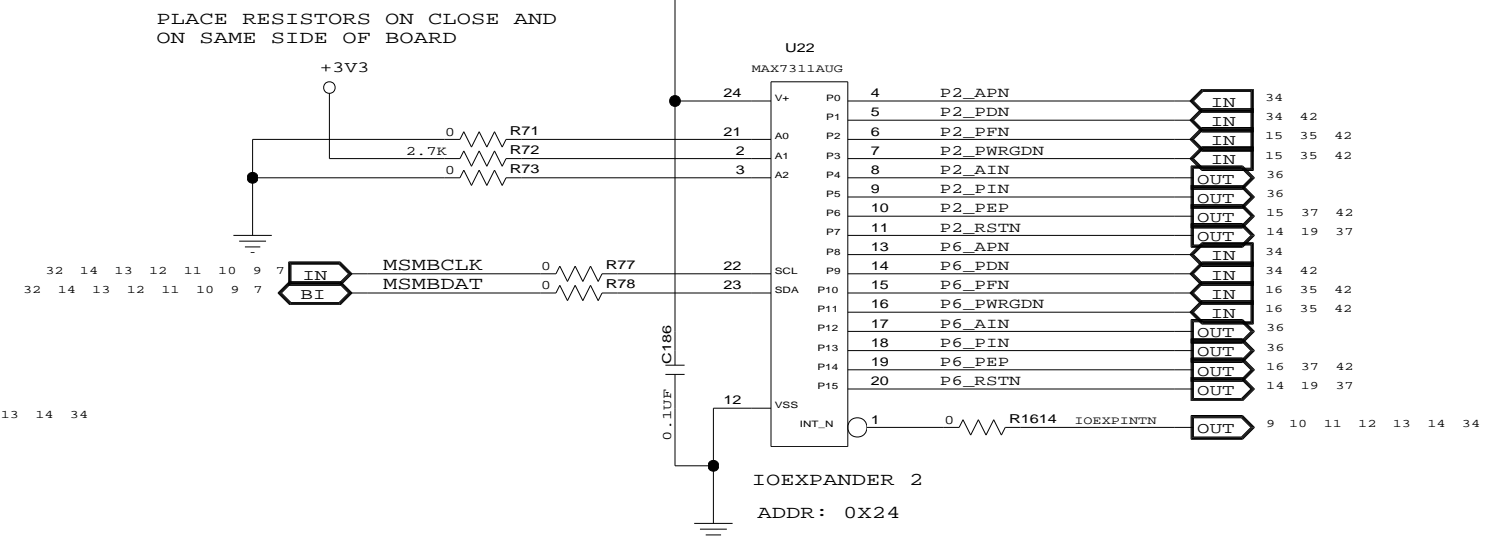
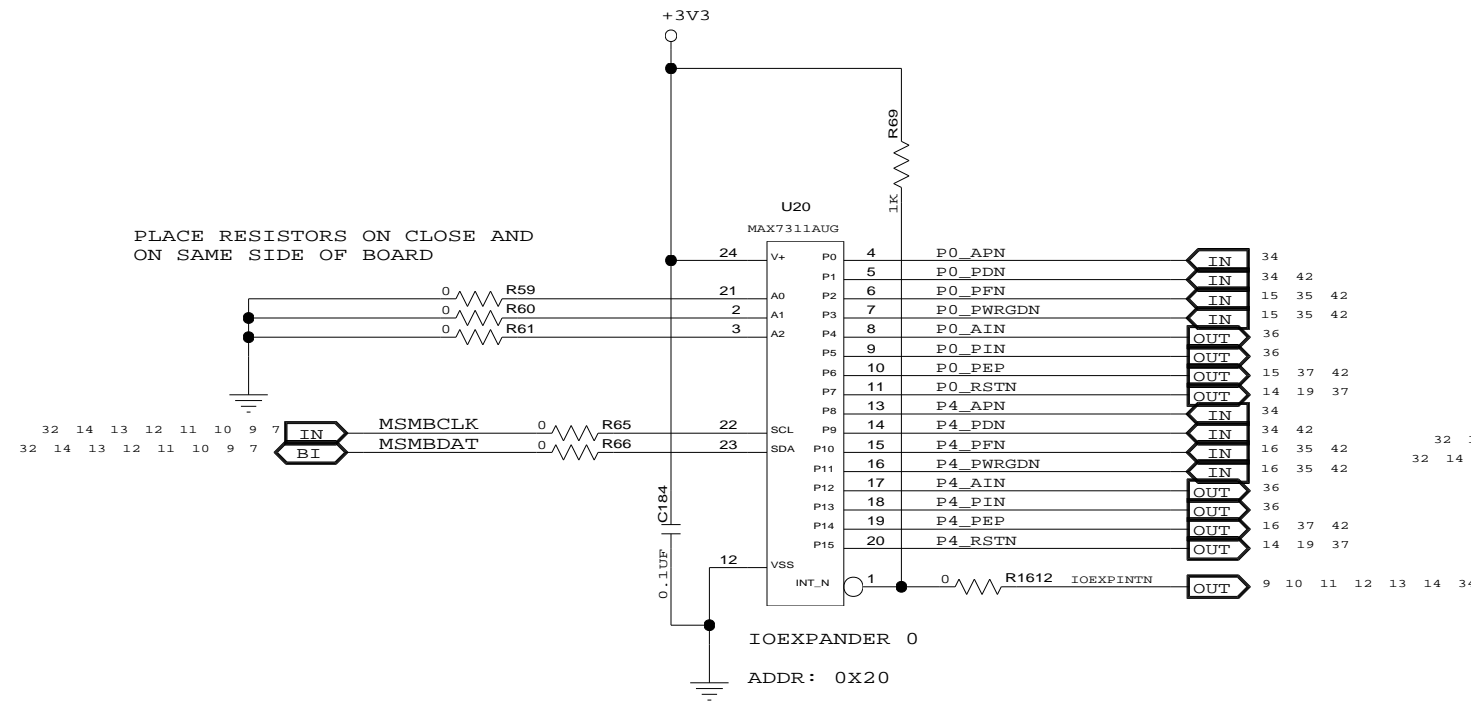
C

B

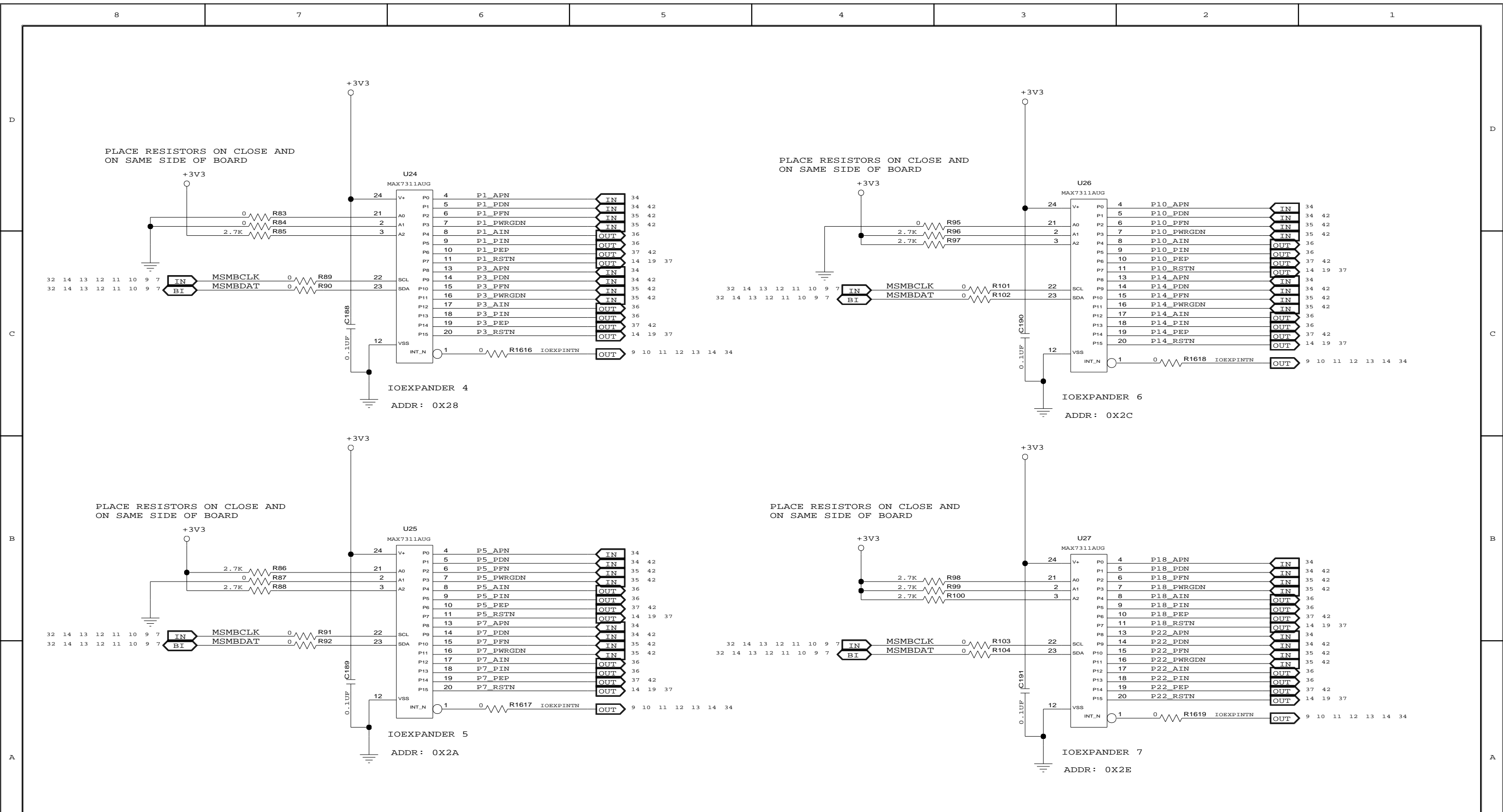
B

A

A



TITLE EB-LOGAN-23			
IOEXPANDER 0-3			
SIZE	DRAWING NO.	FAB P/N	REV.
B	SCH-PESEB-001	18-691-001	2.0
AUTHOR		CHECKED BY	
Tony Tran		Derek Huang	
Thu Jul 01 15:00:55 2010			SHEET 9 OF 52



TITLE EB-LOGAN-23

IOEXPANDER 4-7

SIZE	DRAWING NO.	FAB P/N	REV.
B	SCH-PESEB-001	18-691-001	2.0
AUTHOR		CHECKED BY	
Tony Tran		Derek Huang	
Thu Jul 01 15:00:55 2010			SHEET 10 OF 52

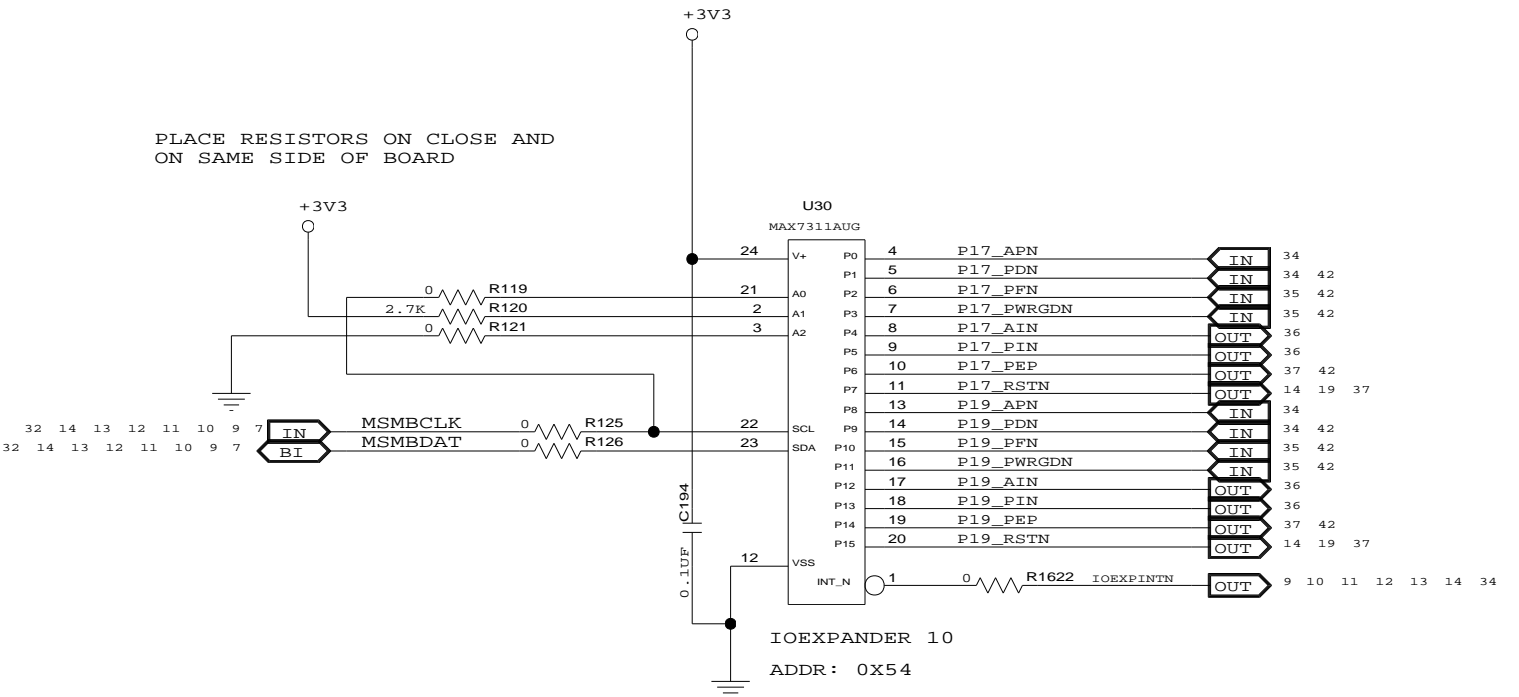
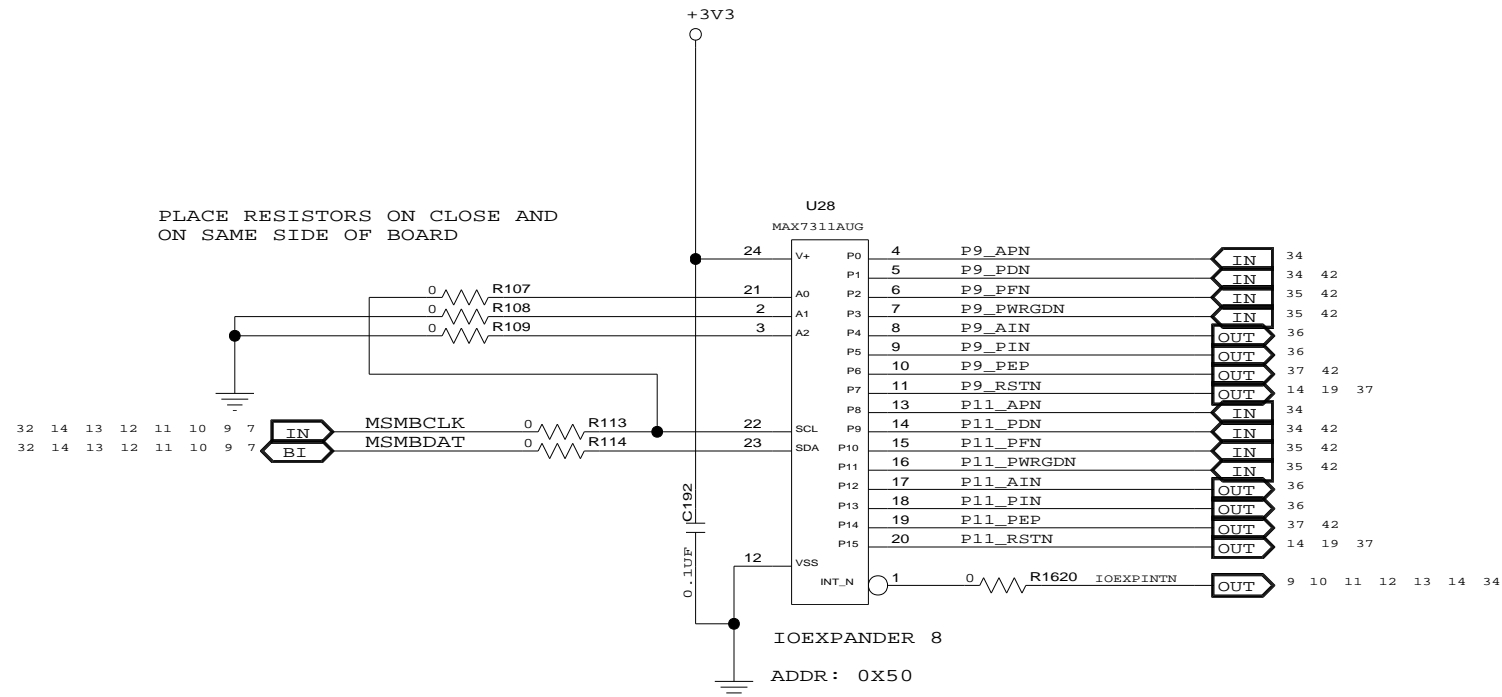
CONFIDENTIAL PROPERTY OF INTEGRATED DEVICE TECHNOLOGY, INC.
 6024 SILVER CREEK VALLEY ROAD. SAN JOSE, CA 95138
 COPYRIGHT (C) 2010 IDT

D

D

PLACE RESISTORS ON CLOSE AND ON SAME SIDE OF BOARD

PLACE RESISTORS ON CLOSE AND ON SAME SIDE OF BOARD

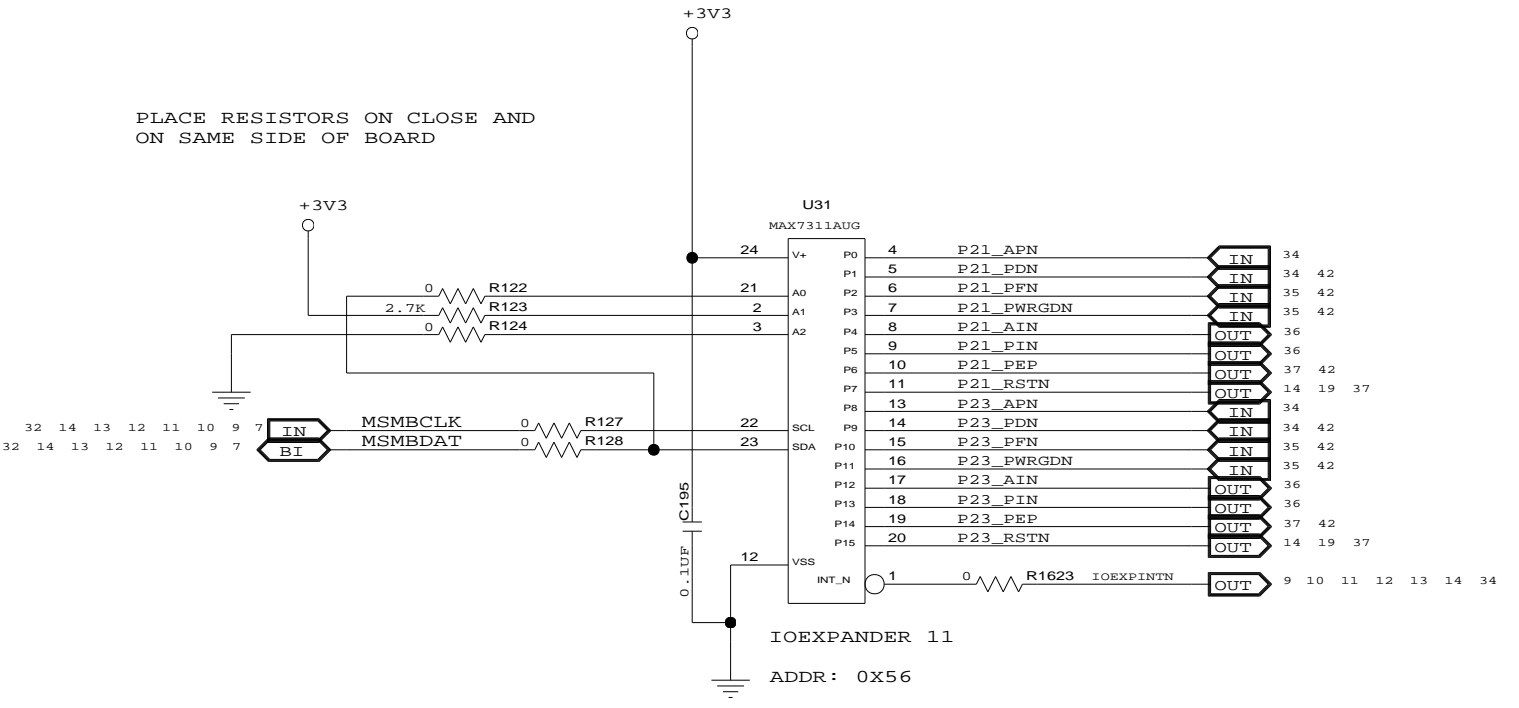
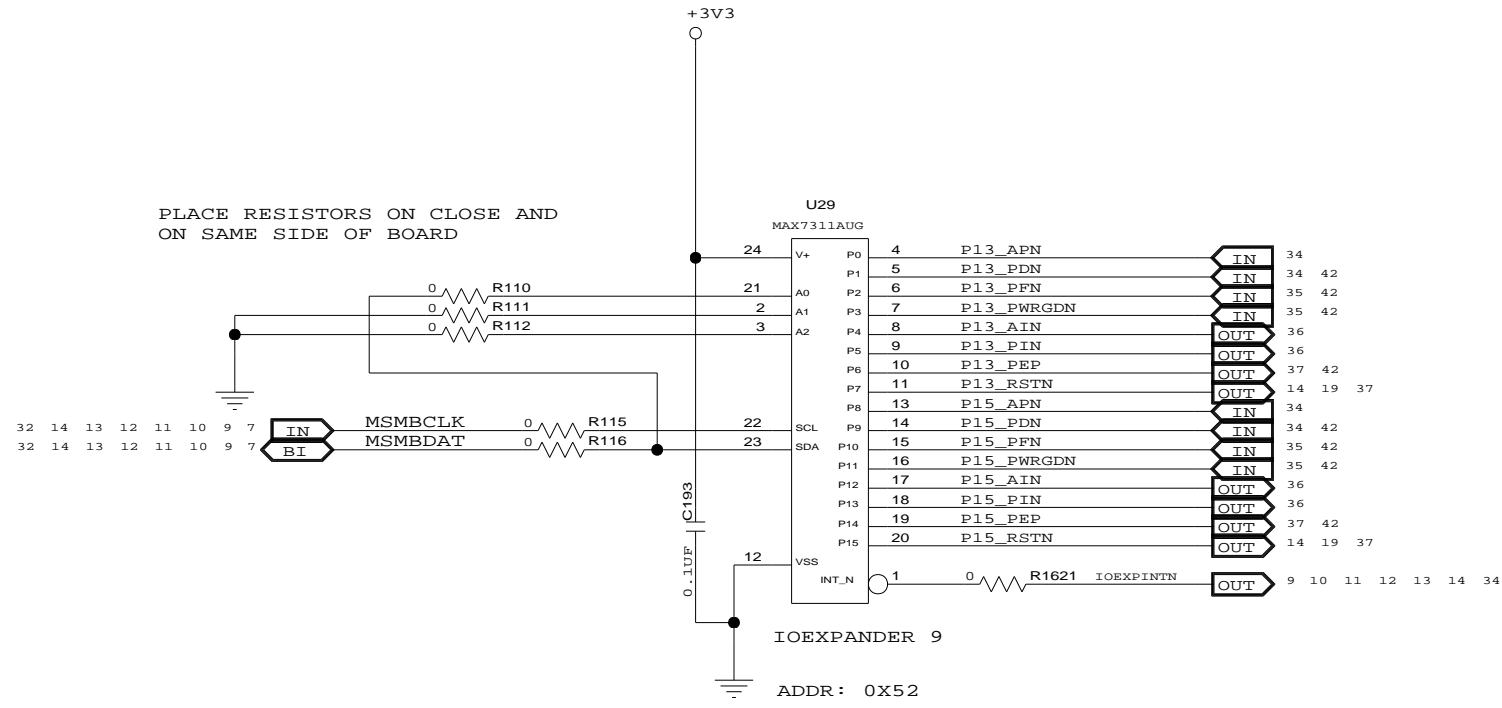


C

C

PLACE RESISTORS ON CLOSE AND ON SAME SIDE OF BOARD

PLACE RESISTORS ON CLOSE AND ON SAME SIDE OF BOARD




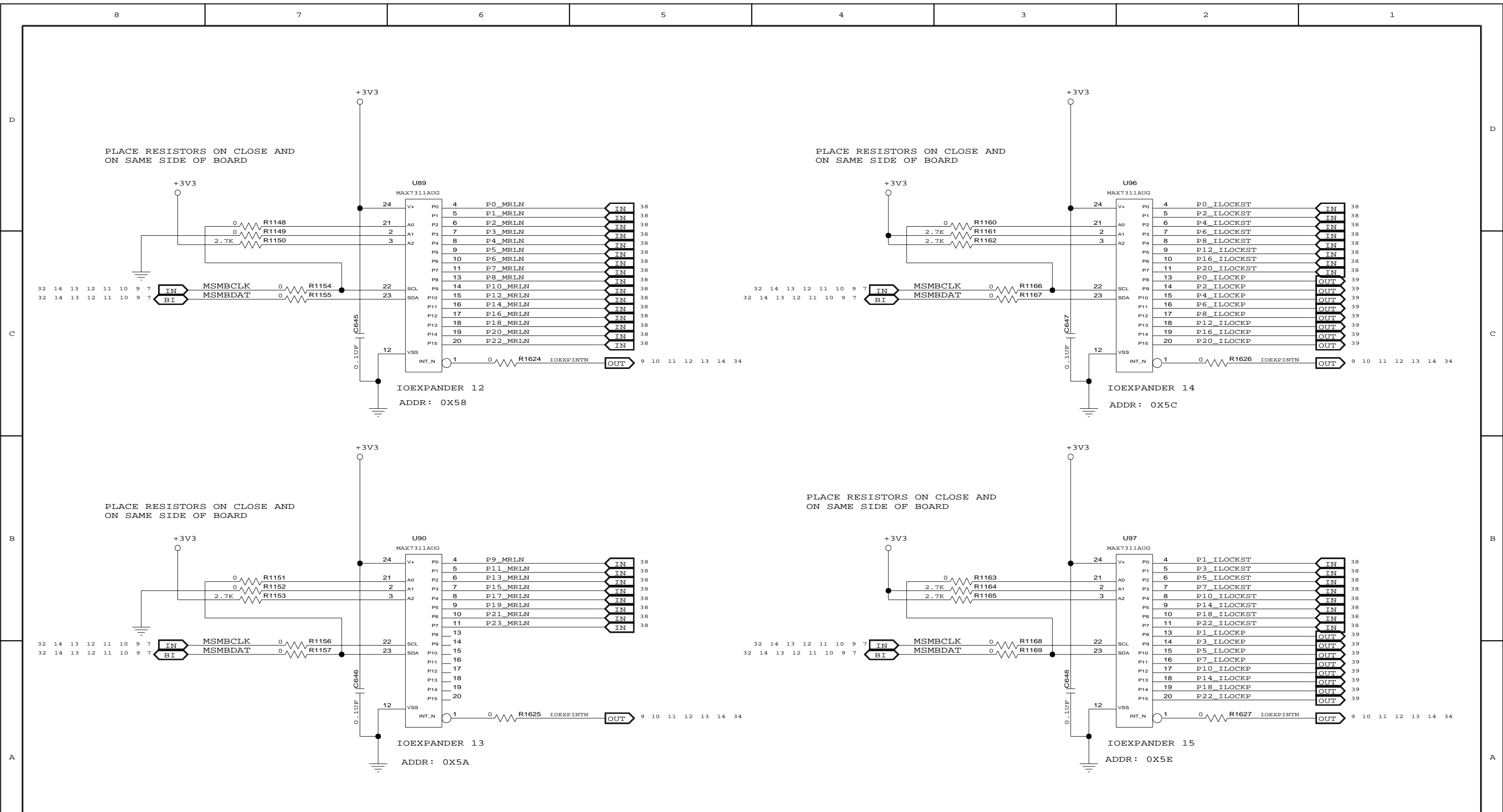
B

B

A

A

		TITLE EB960GN123 ation Board	
		IOEXPANDER 8-11	
SIZE B	DRAWING NO. SCH-PESEB-001	FAB P/N 18-691-001	REV. 2.0
AUTHOR Tony Tran		CHECKED BY Derek Huang	
CONFIDENTIAL PROPERTY OF INTEGRATED DEVICE TECHNOLOGY, INC. 6024 SILVER CREEK VALLEY ROAD. SAN JOSE, CA 95138 COPYRIGHT (C) 2009 IDT		Thu Jul 01 15:00:55 2010	
		SHEET 11 OF 52	



TITLE EB-LOGAN-23

IOEXPANDER 12-15

SIZE	DRAWING NO.	FAB P/N	REV.
B	SCH-PESEB-001	18-691-001	2.0
AUTHOR		CHECKED BY	
Tony Tran		Derek Huang	
Thu Jul 01 15:00:55 2010			SHEET 12 OF 52

CONFIDENTIAL PROPERTY OF INTEGRATED DEVICE TECHNOLOGY, INC.
6024 SILVER CREEK VALLEY ROAD. SAN JOSE, CA 95138
COPYRIGHT (C) 2010 IDT

D

D

C

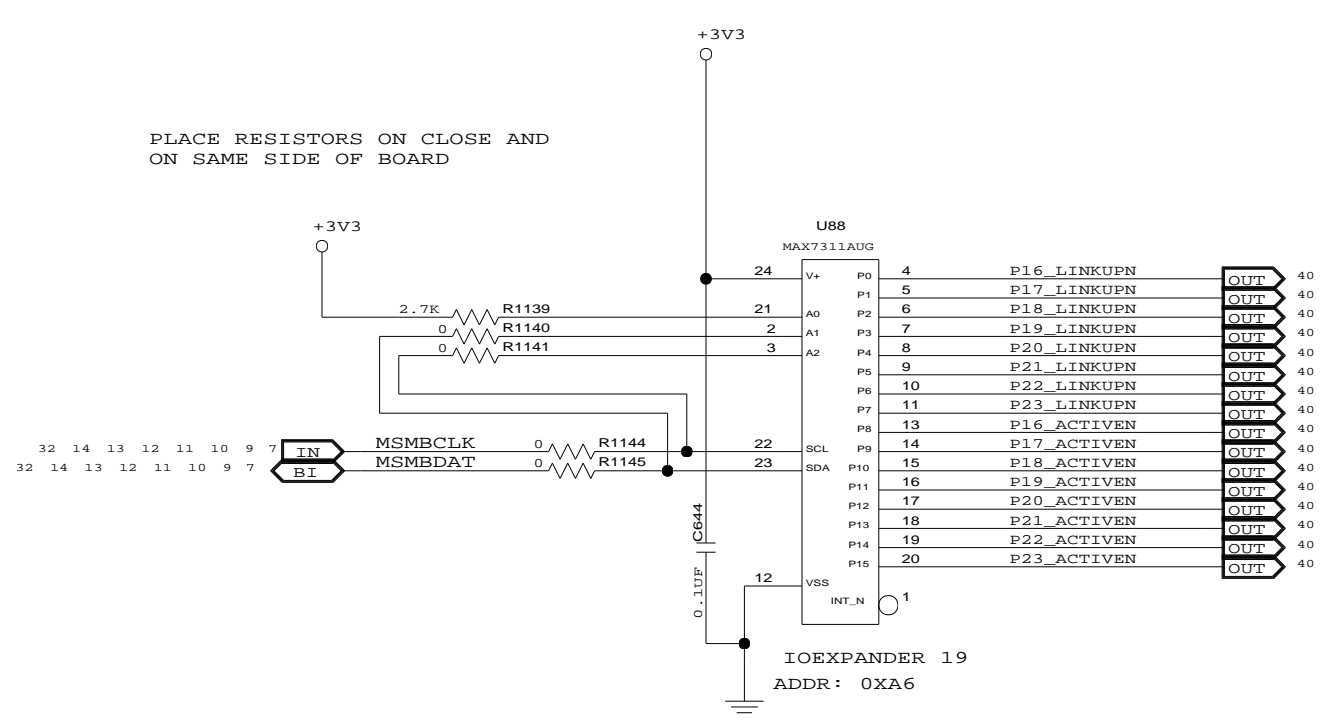
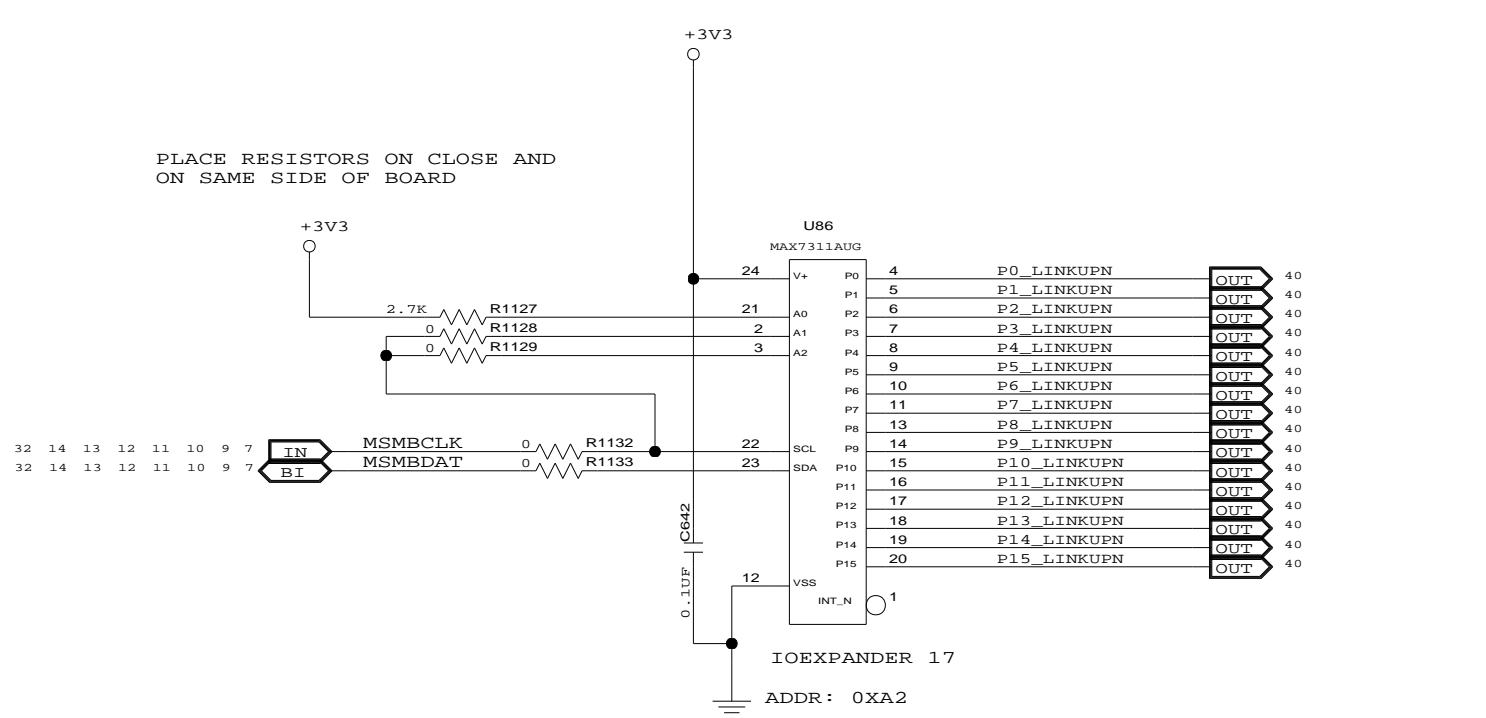
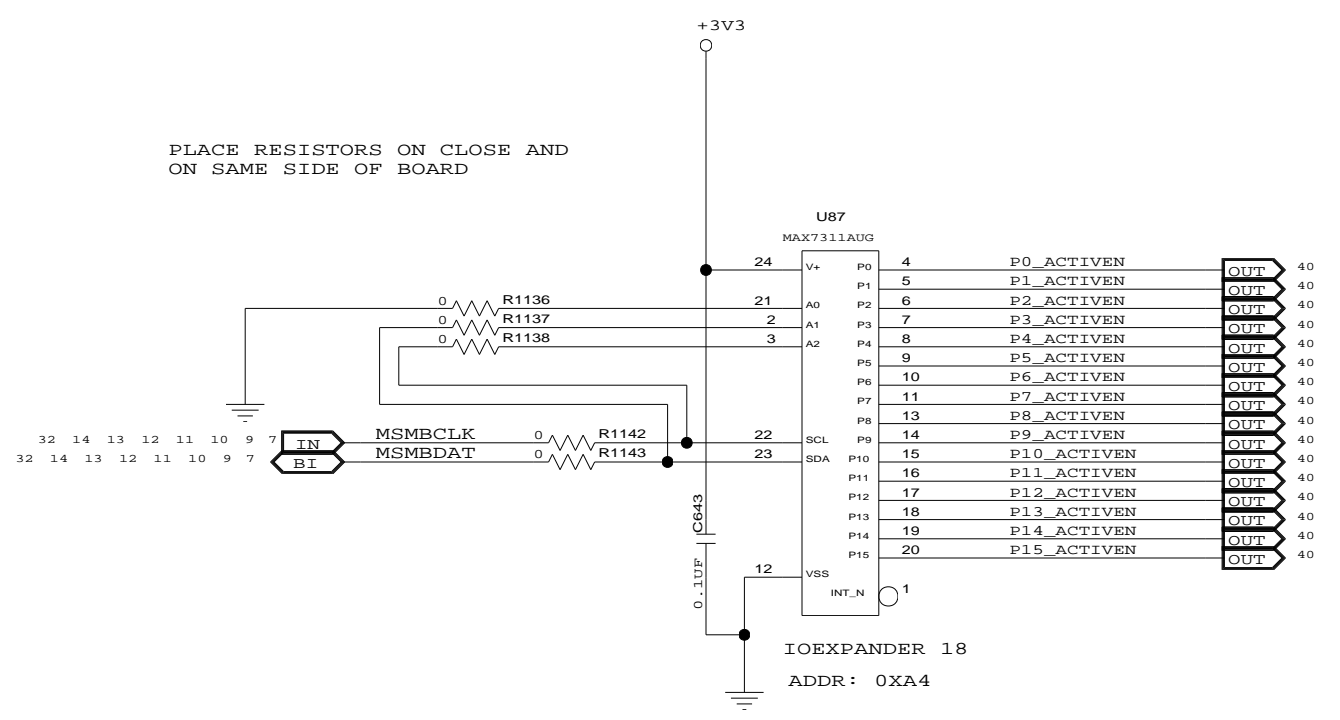
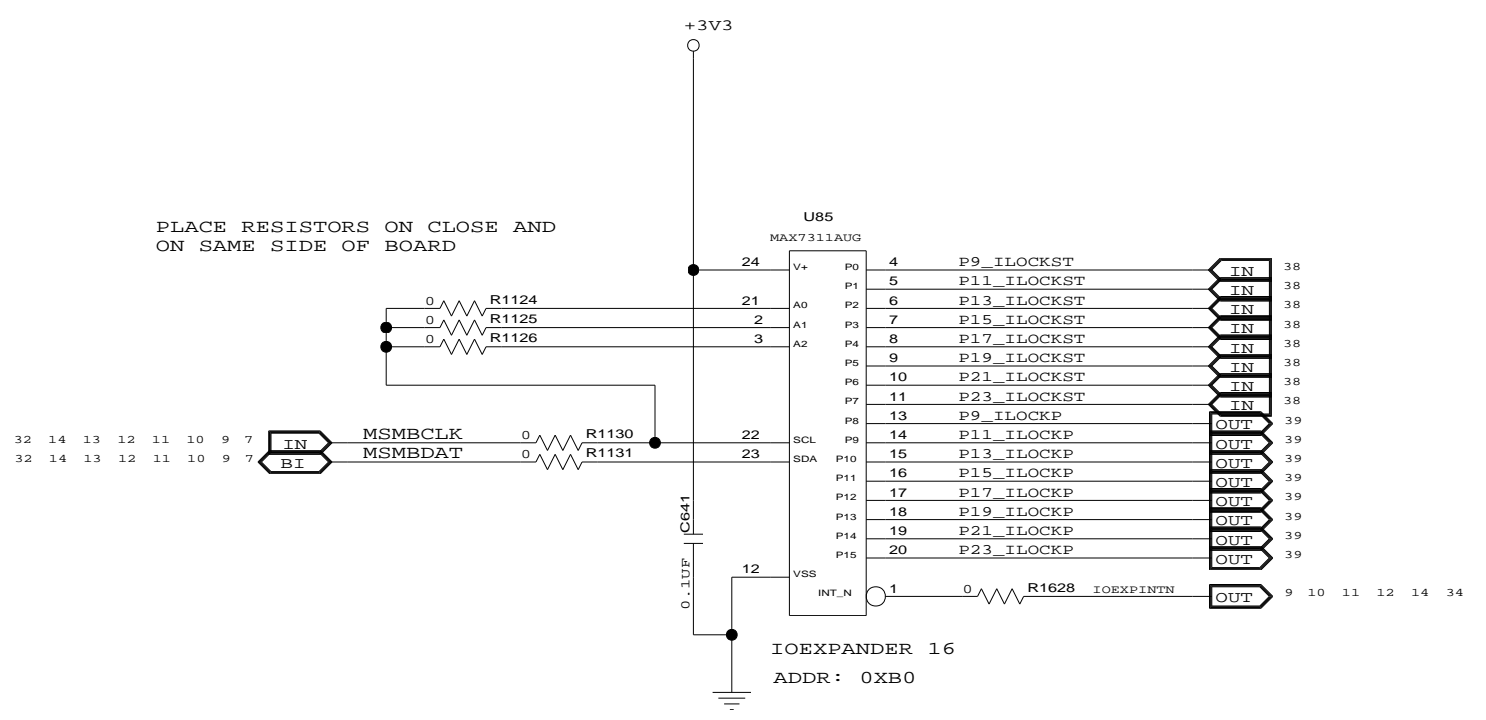
C


B

B

A

A





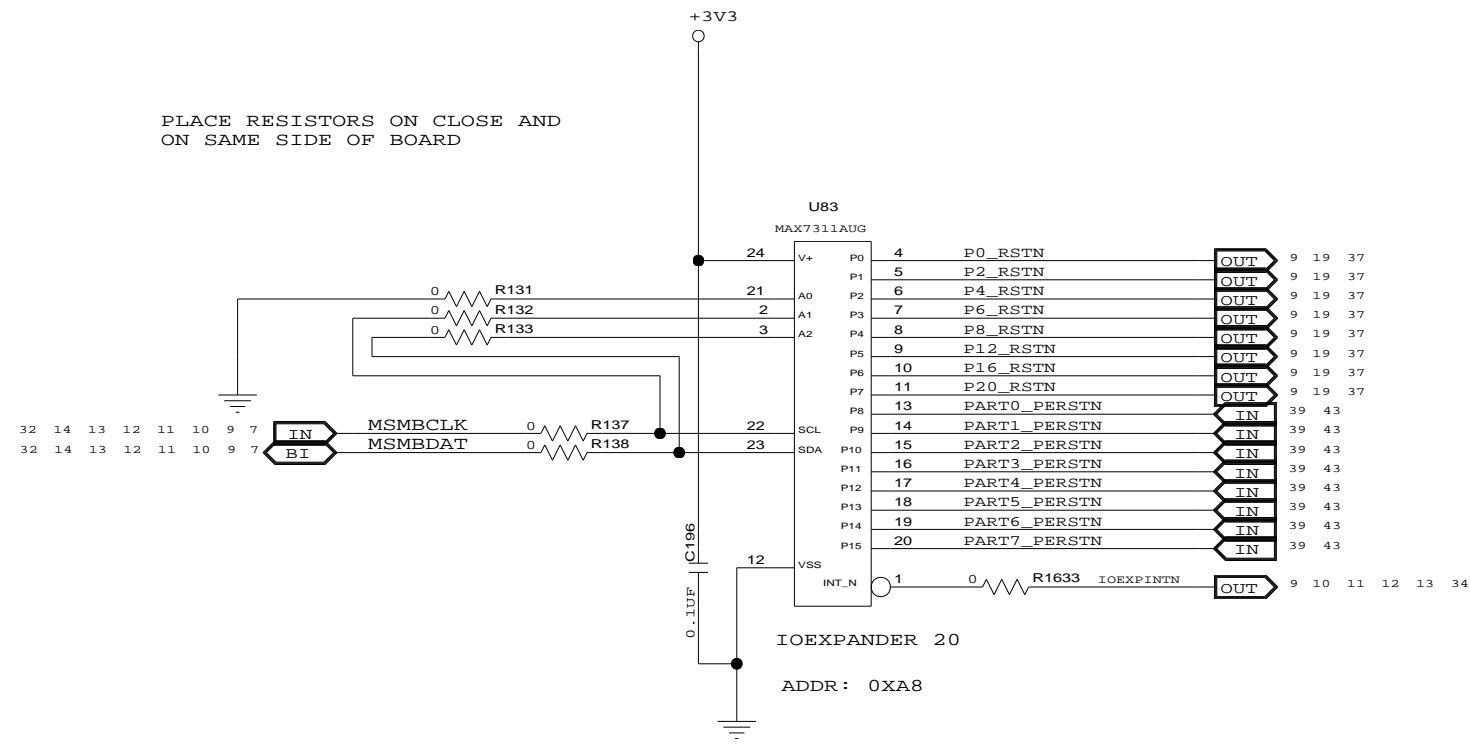
CONFIDENTIAL PROPERTY OF INTEGRATED DEVICE TECHNOLOGY, INC.
6024 SILVER CREEK VALLEY ROAD. SAN JOSE, CA 95138
COPYRIGHT (C) 2010 IDT

TITLE EB-LOGAN-23

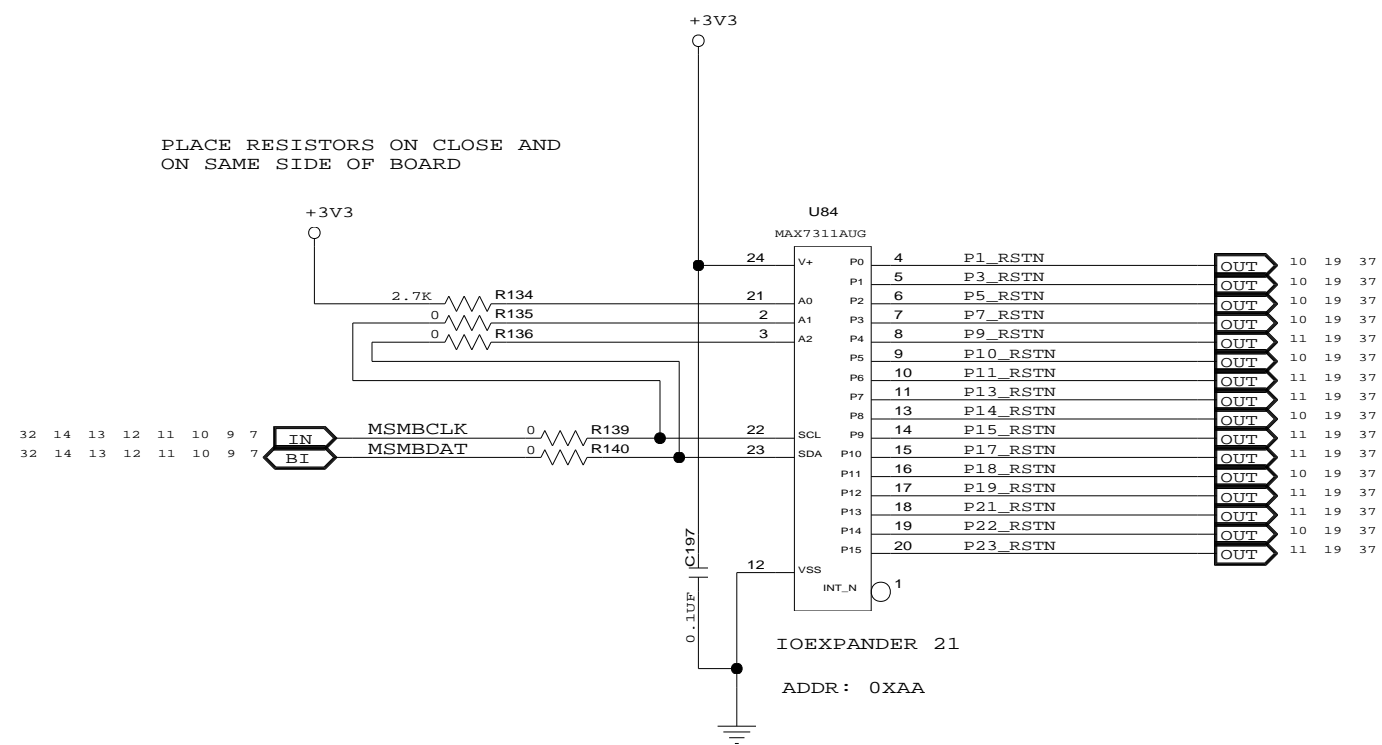
IOEXPANDER 16-19

SIZE	DRAWING NO.	FAB P/N	REV.
B	SCH-PESEB-001	18-691-001	2.0
AUTHOR		CHECKED BY	
Tony Tran		Derek Huang	
Thu Jul 01 15:00:56 2010			SHEET 13 OF 52

PLACE RESISTORS ON CLOSE AND ON SAME SIDE OF BOARD



PLACE RESISTORS ON CLOSE AND ON SAME SIDE OF BOARD

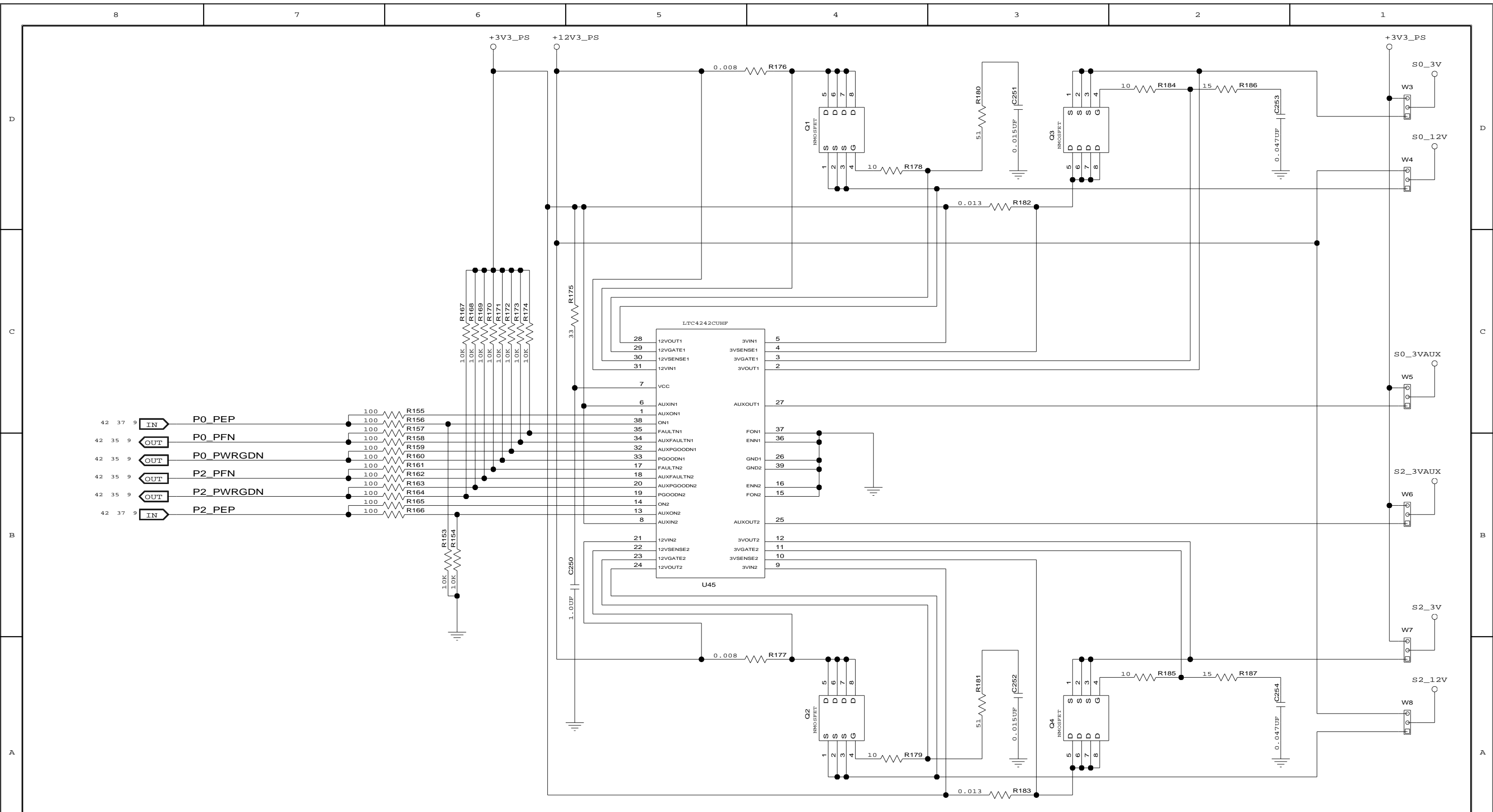



CONFIDENTIAL PROPERTY OF INTEGRATED DEVICE TECHNOLOGY, INC.
6024 SILVER CREEK VALLEY ROAD, SAN JOSE, CA 95138
COPYRIGHT (C) 2010 IDT

TITLE EB-LOGAN-23

IOEXPANDER 20-21

SIZE B	DRAWING NO. SCH-PESEB-001	FAB P/N 18-691-001	REV. 2.0
AUTHOR Tony Tran		CHECKED BY Derek Huang	
Thu Jul 01 15:00:56 2010			SHEET 14 OF 52



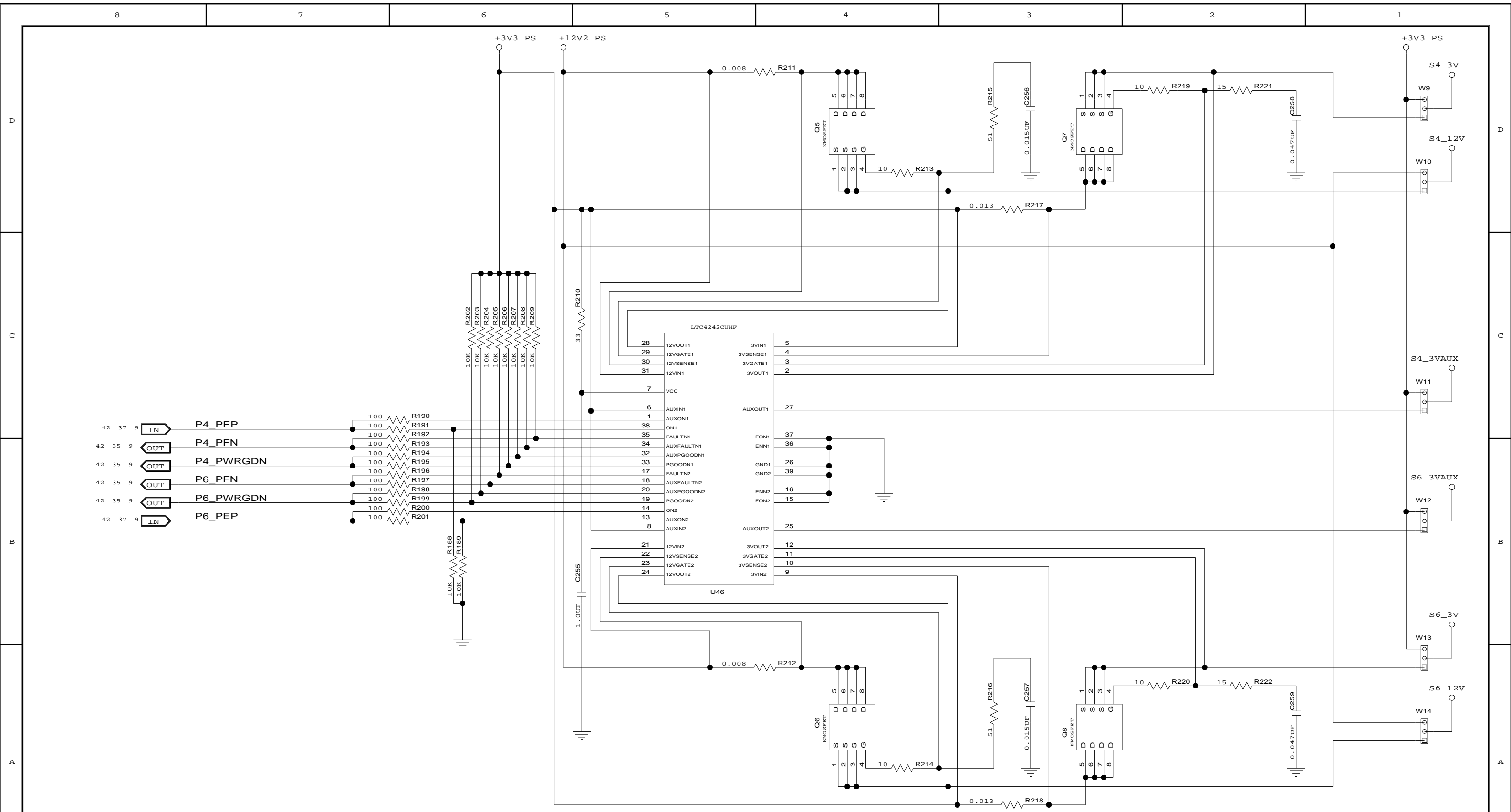



CONFIDENTIAL PROPERTY OF INTEGRATED DEVICE TECHNOLOGY, INC.
6024 SILVER CREEK VALLEY ROAD. SAN JOSE, CA 95138
COPYRIGHT (C) 2010 IDT

TITLE EB-LOGAN-23

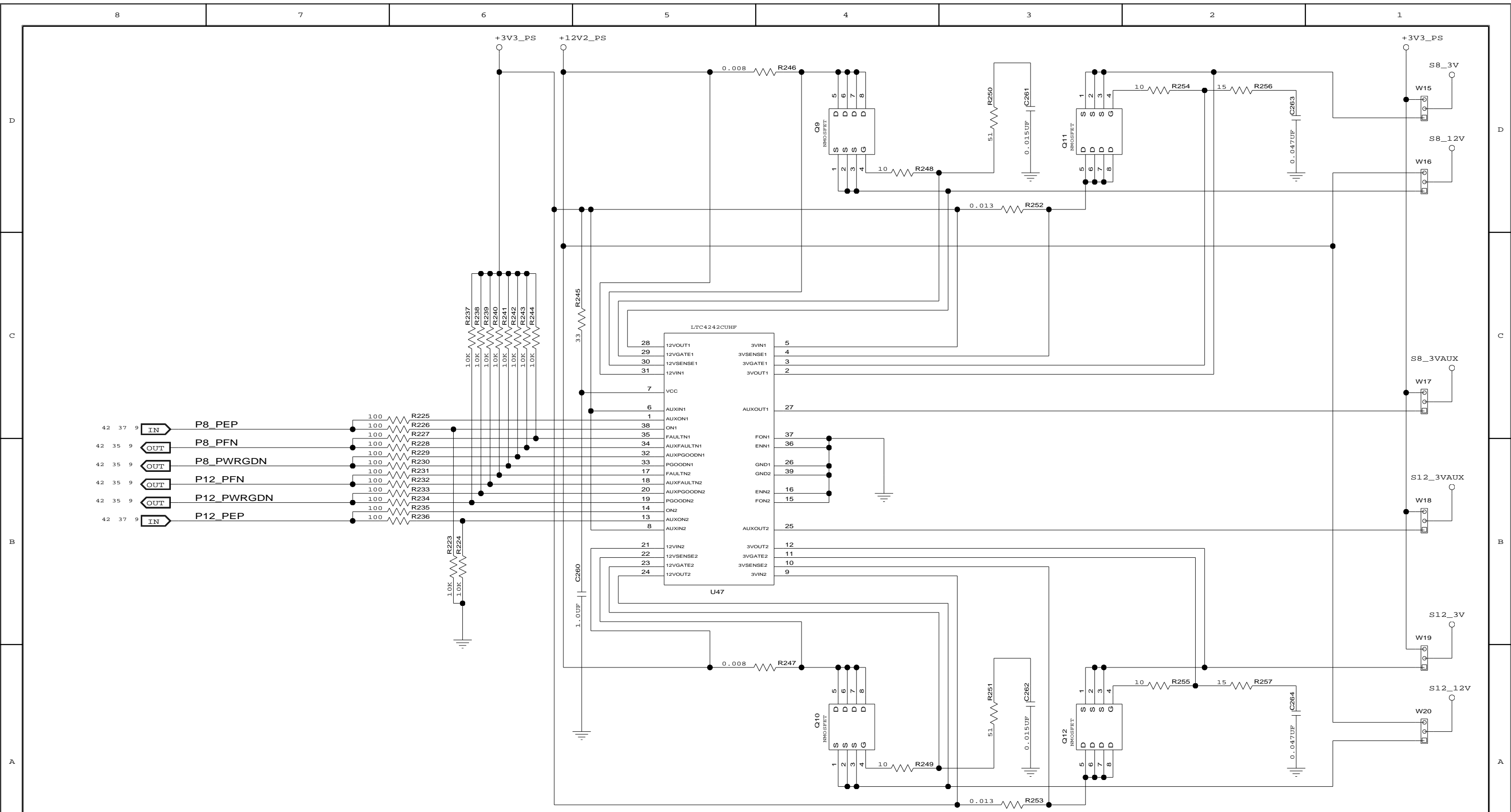
HOT PLUG CONTROL PORTS 0-2


SIZE	DRAWING NO.	FAB P/N	REV.
B	SCH-PESEB-001	18-691-001	2.0
AUTHOR		CHECKED BY	
Tony Tran		Derek Huang	
Thu Jul 01 15:00:56 2010			SHEET 15 OF 52

CONFIDENTIAL PROPERTY OF INTEGRATED DEVICE TECHNOLOGY, INC.
 6024 SILVER CREEK VALLEY ROAD. SAN JOSE, CA 95138
 COPYRIGHT (C) 2010 IDT

TITLE EB-LOGAN-23			
HOT PLUG CONTROL PORTS 4-6			
SIZE	DRAWING NO.	FAB P/N	REV.
B	SCH-PESEB-001	18-691-001	2.0
AUTHOR		CHECKED BY	
Tony Tran		Derek Huang	
Thu Jul 01 15:00:57 2010			SHEET 16 OF 52



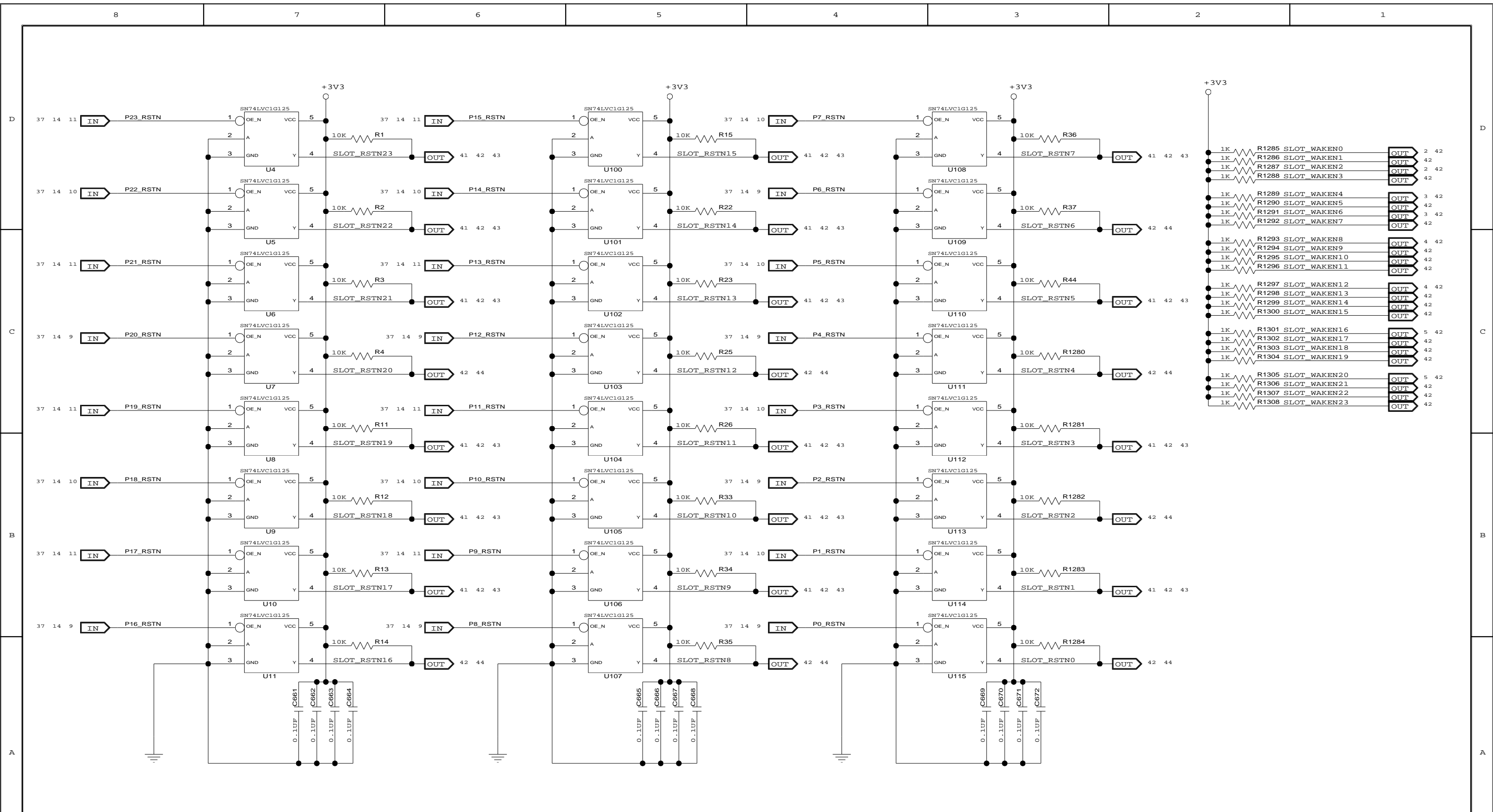



CONFIDENTIAL PROPERTY OF INTEGRATED DEVICE TECHNOLOGY, INC.
6024 SILVER CREEK VALLEY ROAD. SAN JOSE, CA 95138
COPYRIGHT (C) 2010 IDT

TITLE EB-LOGAN-23

HOT PLUG CONTROL PORTS 8-12

SIZE	DRAWING NO.	FAB P/N	REV.
B	SCH-PESEB-001	18-691-001	2.0
AUTHOR Tony Tran		CHECKED BY Derek Huang	
Thu Jul 01 15:00:57 2010			SHEET 17 OF 52



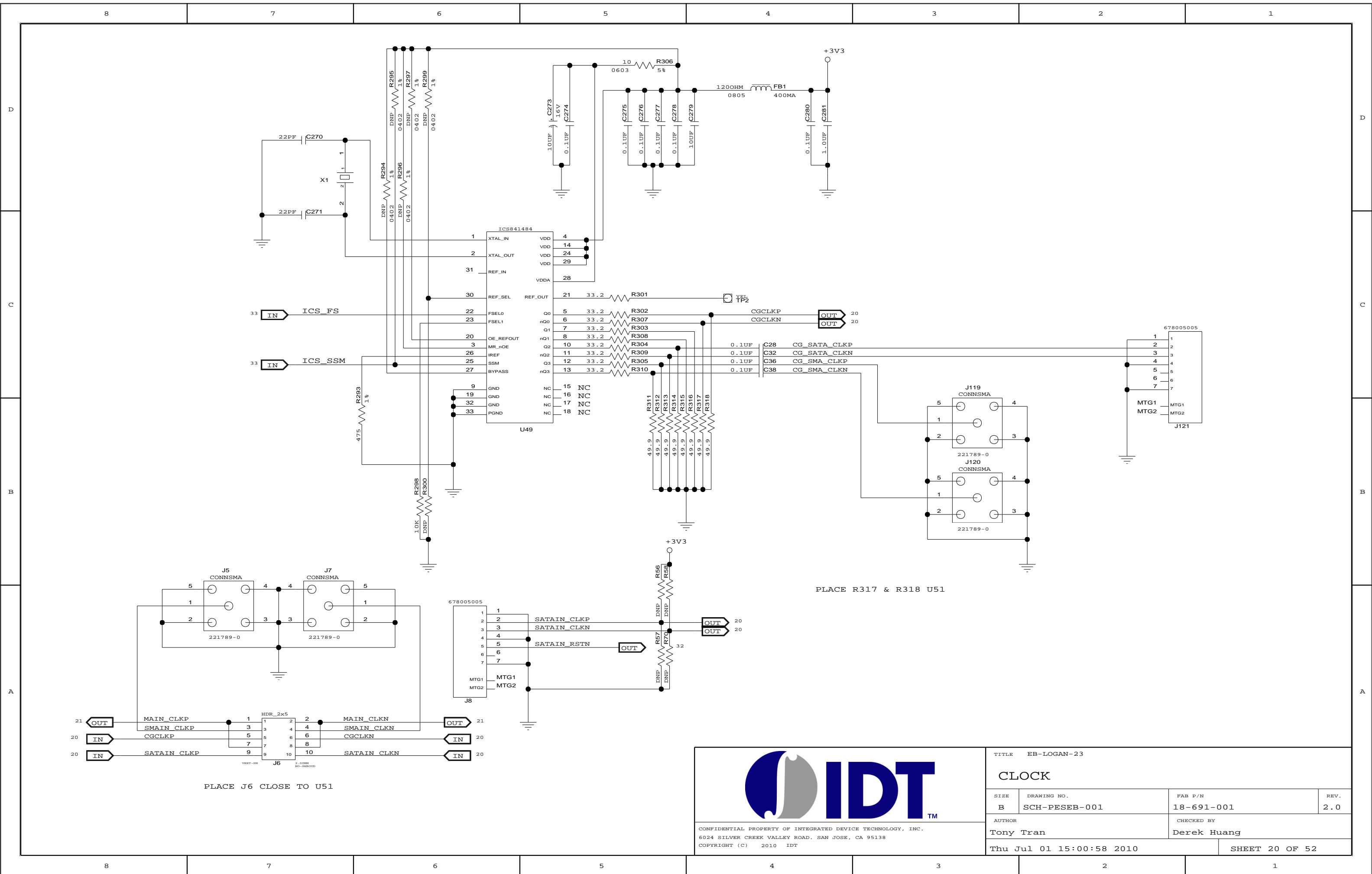


CONFIDENTIAL PROPERTY OF INTEGRATED DEVICE TECHNOLOGY, INC.
6024 SILVER CREEK VALLEY ROAD, SAN JOSE, CA 95138
COPYRIGHT (C) 2010 IDT

TITLE EB-LOGAN-23

SLOT RESETS AND WAKE PULL-UPS

SIZE	DRAWING NO.	FAB P/N	REV.
B	SCH-PESEB-001	18-691-001	2.0
AUTHOR		CHECKED BY	
Tony Tran		Derek Huang	
Thu Jul 01 15:00:57 2010			SHEET 19 OF 52

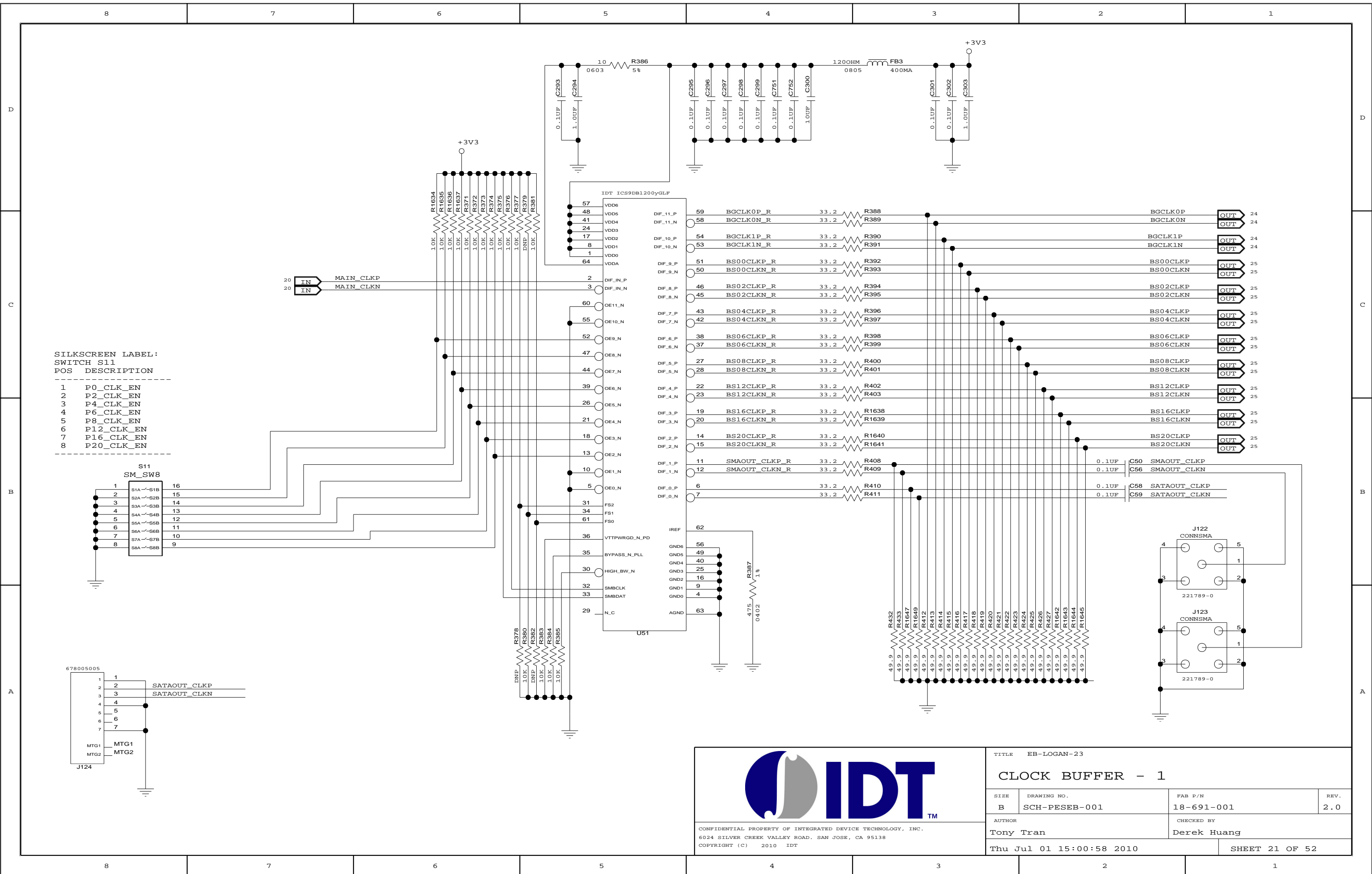


PLACE J6 CLOSE TO U51

PLACE R317 & R318 U51

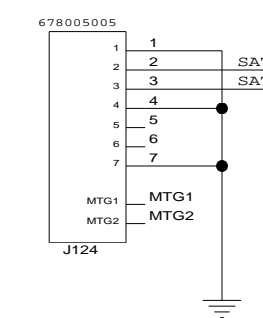
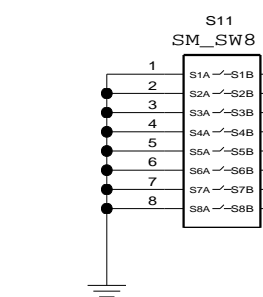
CONFIDENTIAL PROPERTY OF INTEGRATED DEVICE TECHNOLOGY, INC.
 6024 SILVER CREEK VALLEY ROAD, SAN JOSE, CA 95138
 COPYRIGHT (C) 2010 IDT

TITLE EB-LOGAN-23			
CLOCK			
SIZE	DRAWING NO.	FAB P/N	REV.
B	SCH-PESEB-001	18-691-001	2.0
AUTHOR		CHECKED BY	
Tony Tran		Derek Huang	
Thu Jul 01 15:00:58 2010			SHEET 20 OF 52



SILKSCREEN LABEL:
SWITCH S11
POS DESCRIPTION

1	P0_CLK_EN
2	P2_CLK_EN
3	P4_CLK_EN
4	P6_CLK_EN
5	P8_CLK_EN
6	P12_CLK_EN
7	P16_CLK_EN
8	P20_CLK_EN

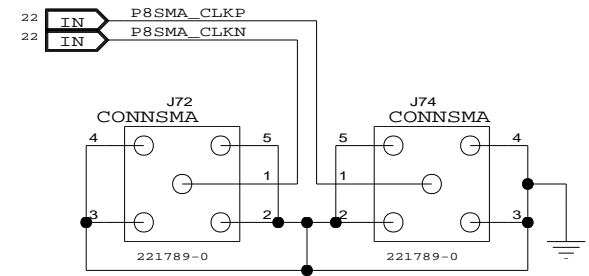
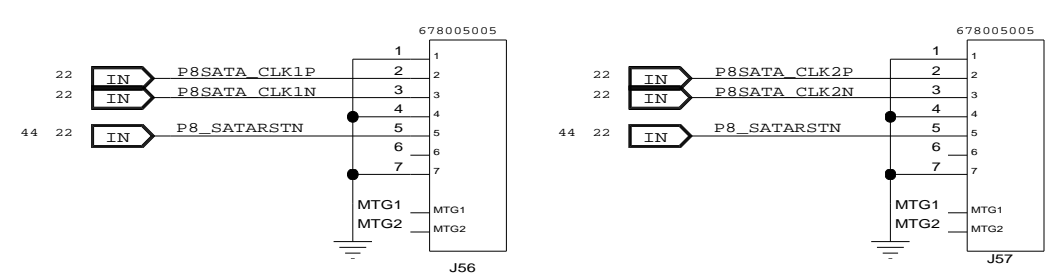
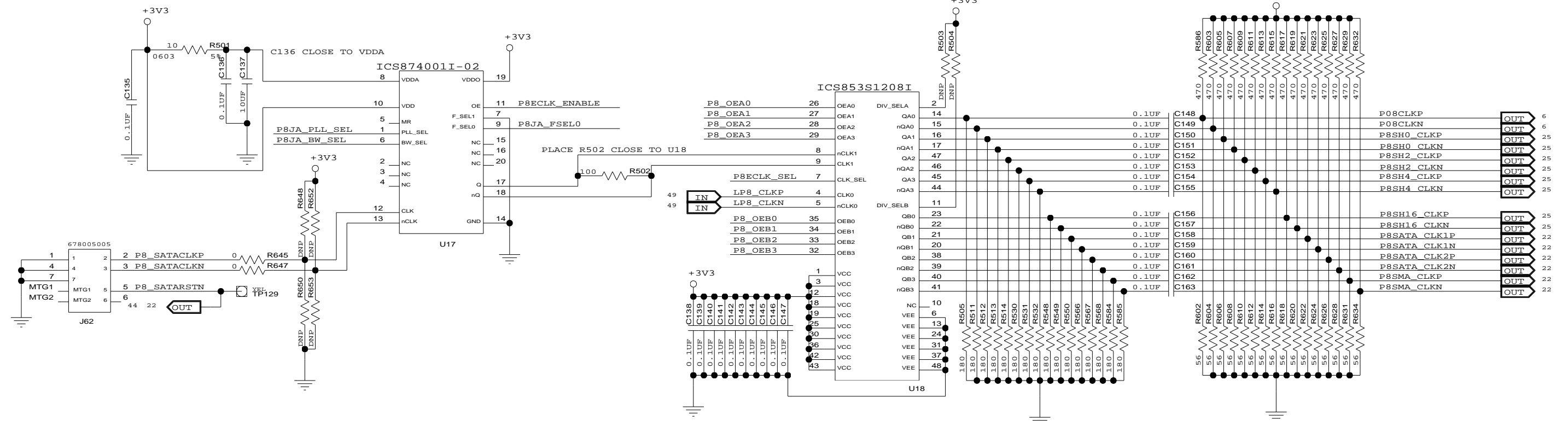


CONFIDENTIAL PROPERTY OF INTEGRATED DEVICE TECHNOLOGY, INC.
6024 SILVER CREEK VALLEY ROAD, SAN JOSE, CA 95138
COPYRIGHT (C) 2010 IDT

TITLE EB-LOGAN-23			
CLOCK BUFFER - 1			
SIZE	DRAWING NO.	FAB P/N	REV.
B	SCH-PESEB-001	18-691-001	2.0
AUTHOR		CHECKED BY	
Tony Tran		Derek Huang	
Thu Jul 01 15:00:58 2010			SHEET 21 OF 52

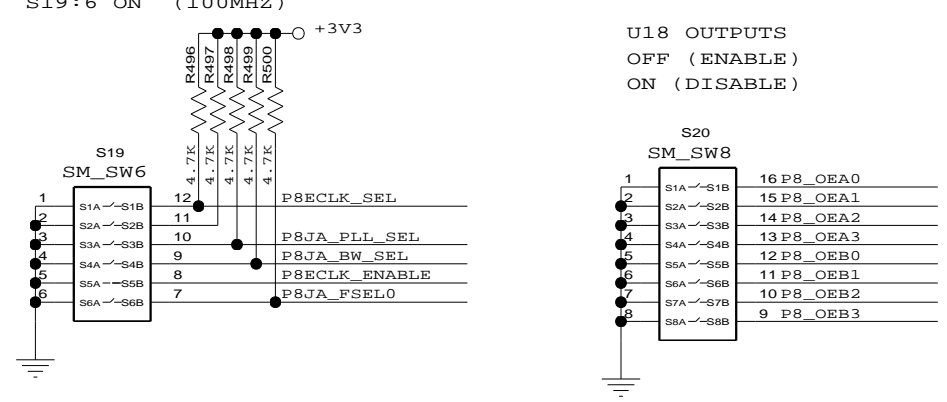
P8CLK - DUT PORT 8 CLK
 LP8CLK - LOCAL CLOCK GEN. PORT 8 CLK
 P8SHXCLK - TO SLOT CLK HEADERS

PLACE 470 AND 56 OHM RESISTORS CLOSE TO DESTINATION.



DEFAULT DIPSW SETTING
 S19:1 OFF (SATACLK)
 S19:3 OFF (PLL)
 S19:4 OFF (2.2MHZ)
 S19:5 OFF (U17 OUTPUT ON)
 S19:6 ON (100MHZ)

U18 OUTPUTS
 OFF (ENABLE)
 ON (DISABLE)

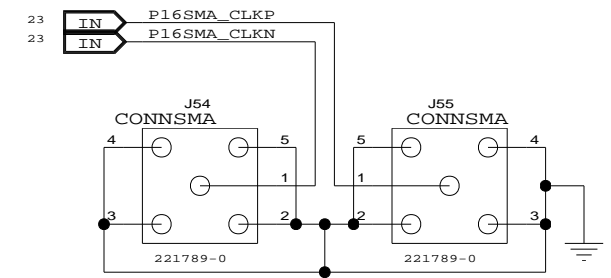
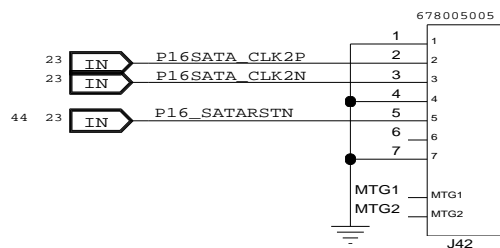
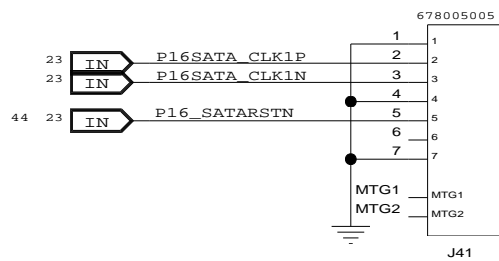
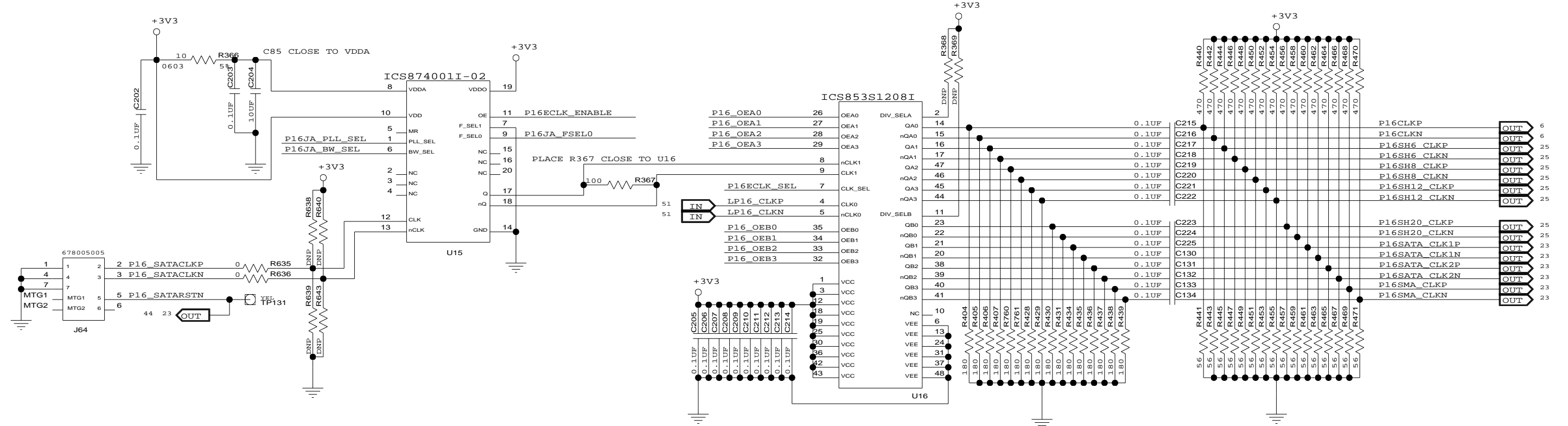


IDT
 CONFIDENTIAL PROPERTY OF INTEGRATED DEVICE TECHNOLOGY, INC.
 6024 SILVER CREEK VALLEY ROAD, SAN JOSE, CA 95138
 COPYRIGHT (C) 2010 IDT

TITLE EB-LOGAN-23			
CLOCK SELECTOR DUT PCLK 8			
SIZE B	DRAWING NO. SCH-PESEB-001	FAB P/N 18-691-001	REV. 2.0
AUTHOR Tony Tran		CHECKED BY Derek Huang	
Tue Aug 10 13:51:12 2010			SHEET 22 OF 52

P16CLK - DUT PORT 16 CLK
 LP16CLK - LOCAL CLOCK GEN. PORT 16 CLK
 P16SHXCLK - TO SLOT CLK HEADERS

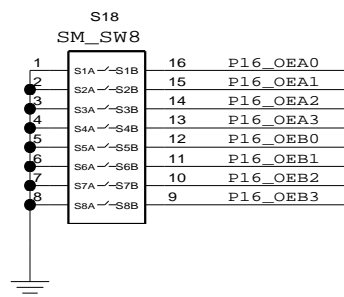
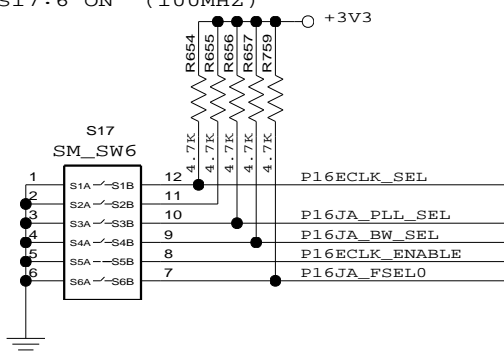
PLACE 470 AND 56 OHM RESISTORS CLOSE TO DESTINATION.



DEFAULT DIPSW SETTING

- S17:1 OFF (SATACLK)
- S17:3 OFF (PLL)
- S17:4 OFF (2.2MHZ)
- S17:5 OFF (U15 OUTPUT ON)
- S17:6 ON (100MHZ)

U16 OUTPUTS
 OFF (ENABLE)
 ON (DISABLE)



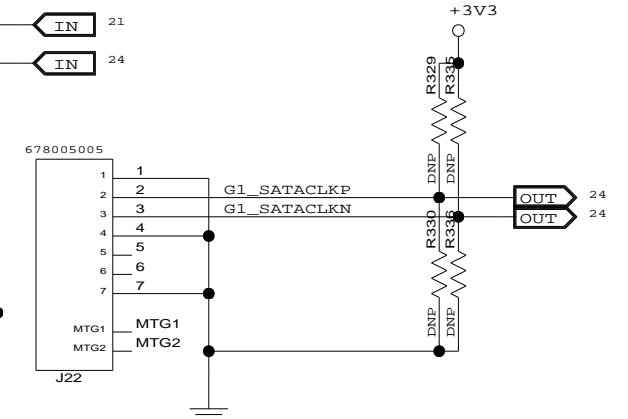
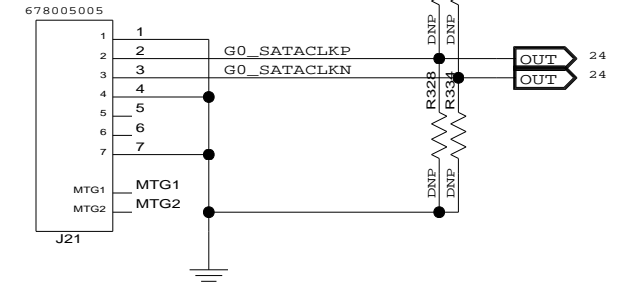
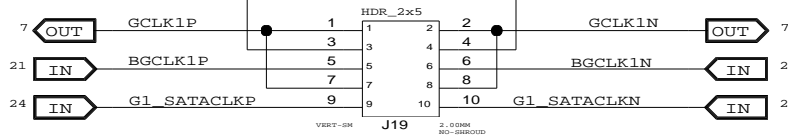
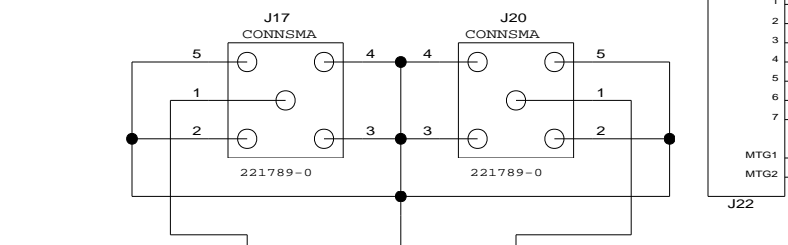
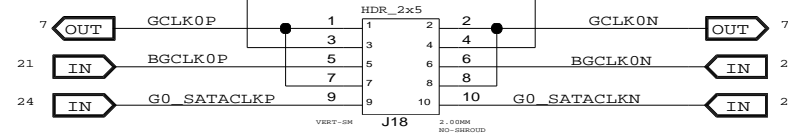
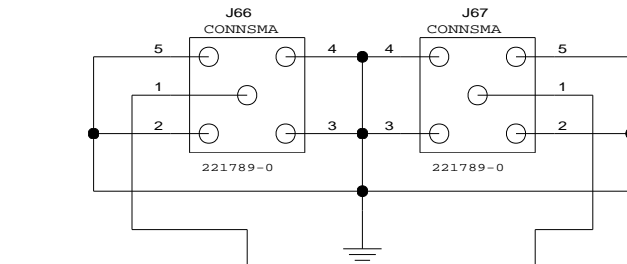
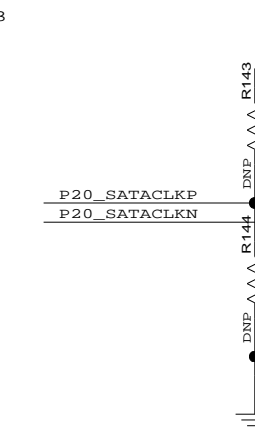
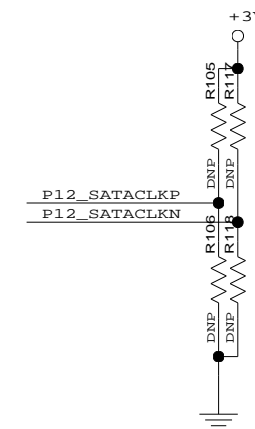
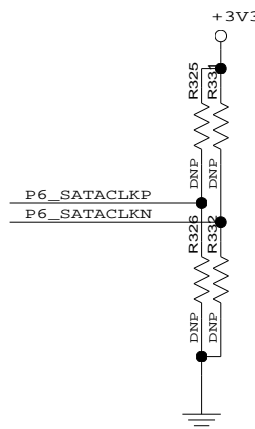
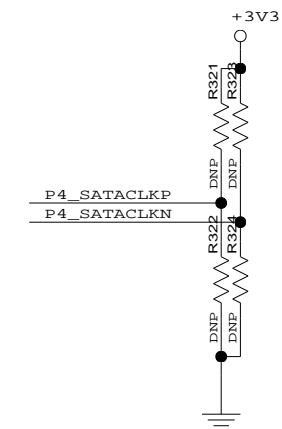
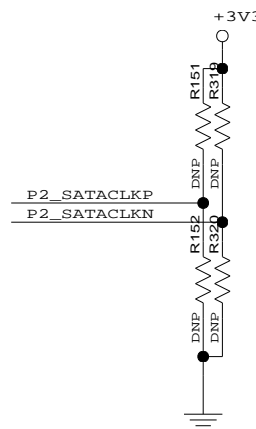
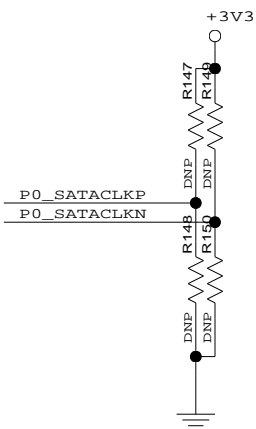
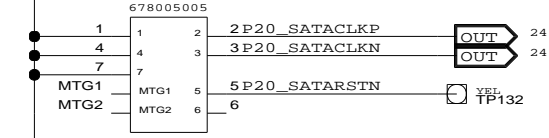
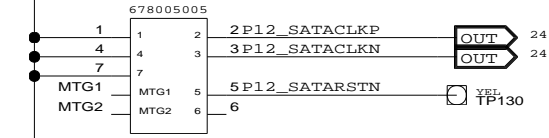
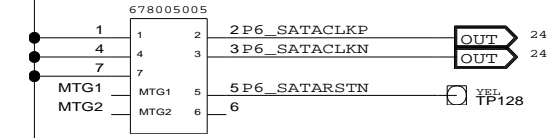
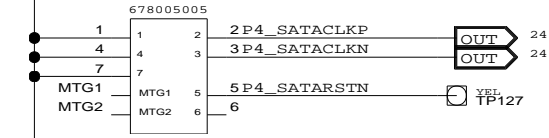
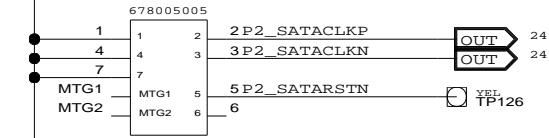
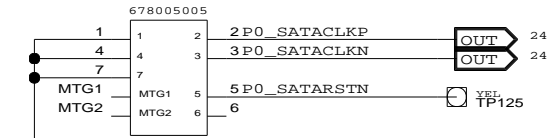
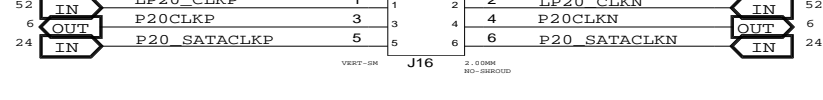
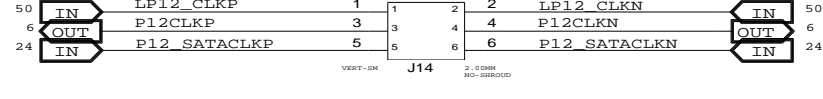
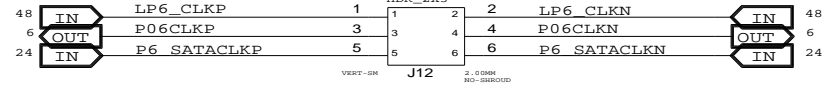
CONFIDENTIAL PROPERTY OF INTEGRATED DEVICE TECHNOLOGY, INC.
 6024 SILVER CREEK VALLEY ROAD. SAN JOSE, CA 95138
 COPYRIGHT (C) 2010 IDT


TITLE EB-LOGAN-23

CLOCK SELECTOR DUT PCLK 16

SIZE	DRAWING NO.	FAB P/N	REV.
B	SCH-PESEB-001	18-691-001	2.0
AUTHOR		CHECKED BY	
Tony Tran		Derek Huang	
Tue Aug 10 13:51:21 2010			SHEET 23 OF 52

EXXCLK - DUT CLK
 LPXXCLK - LOCAL CLOCK GEN. PORT CLK
 SHXXCLK - SLOT HDR. CLK



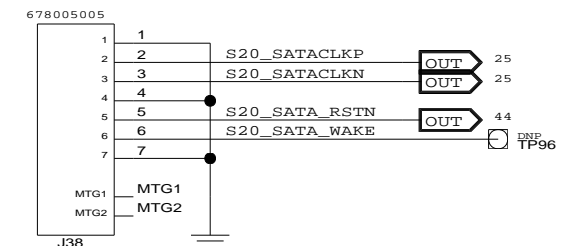
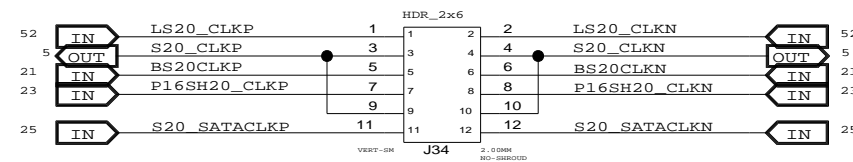
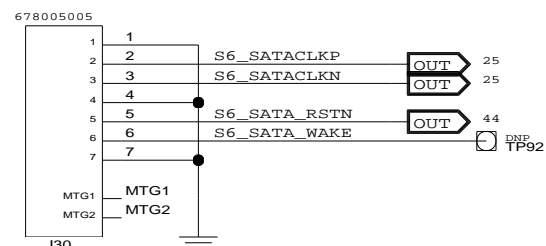
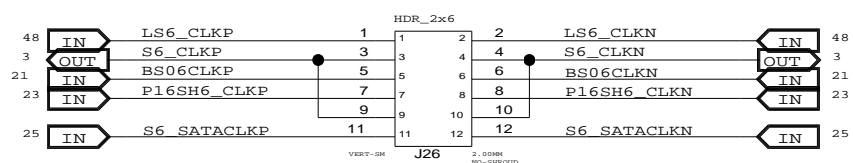
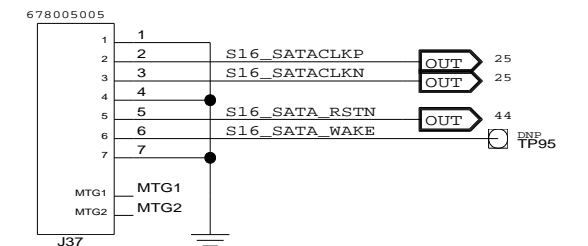
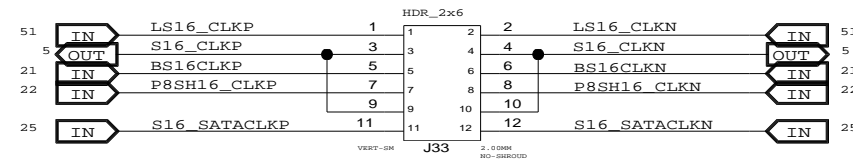
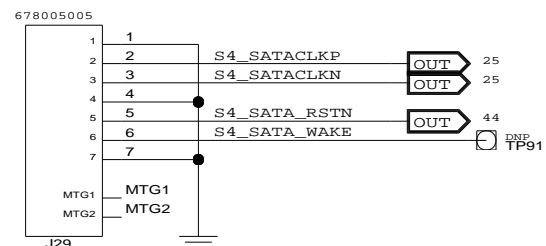
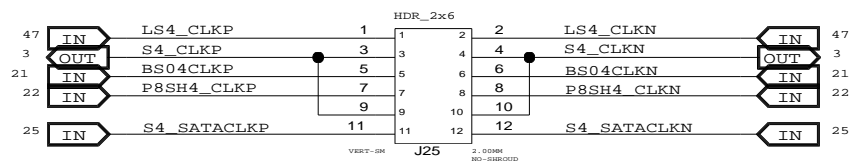
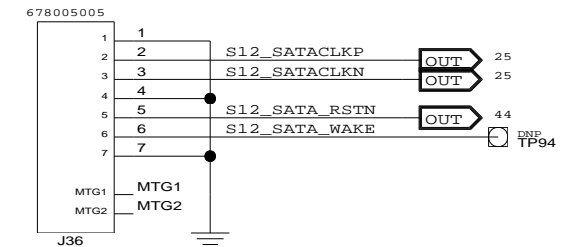
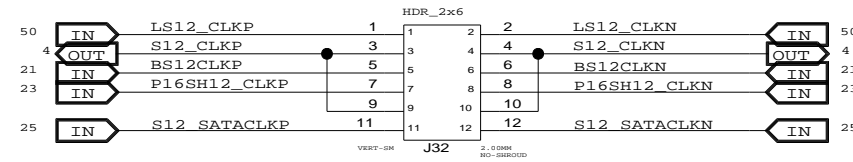
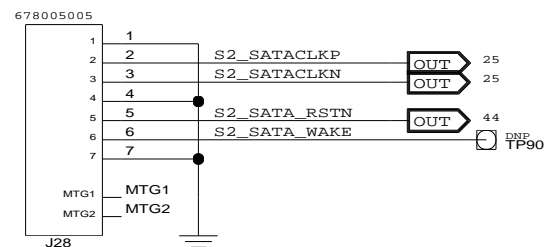
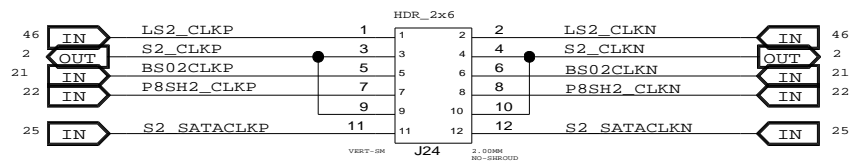
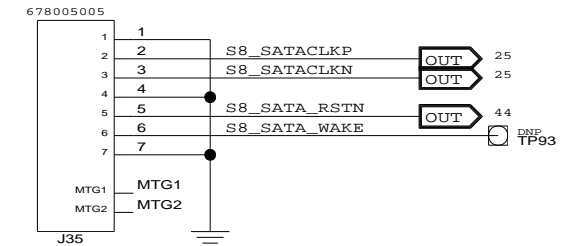
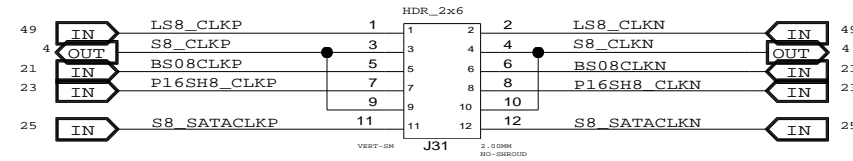
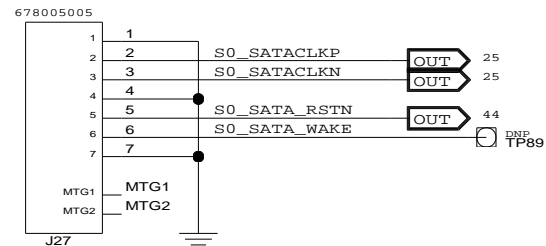
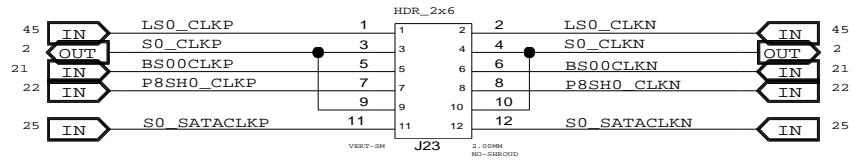



CONFIDENTIAL PROPERTY OF INTEGRATED DEVICE TECHNOLOGY, INC.
 6024 SILVER CREEK VALLEY ROAD. SAN JOSE, CA 95138
 COPYRIGHT (C) 2010 IDT

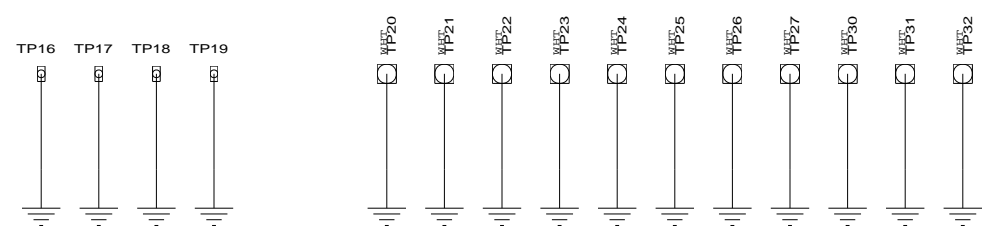
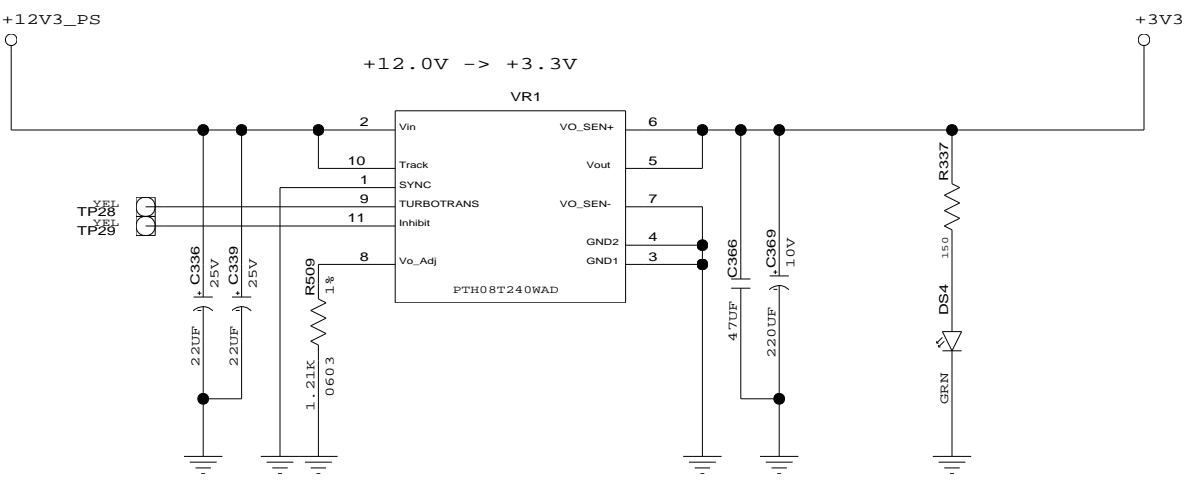
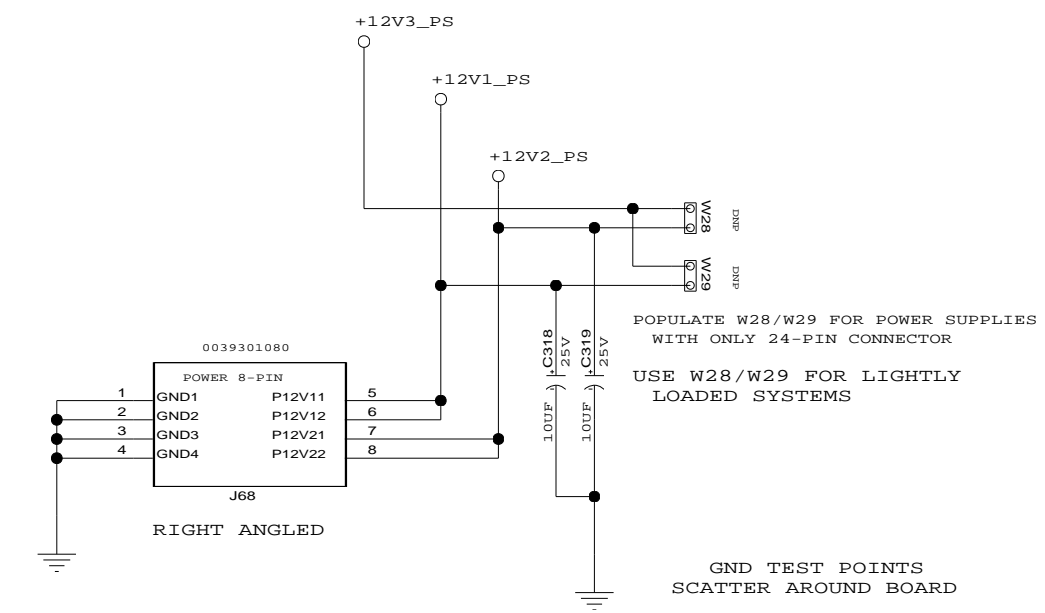
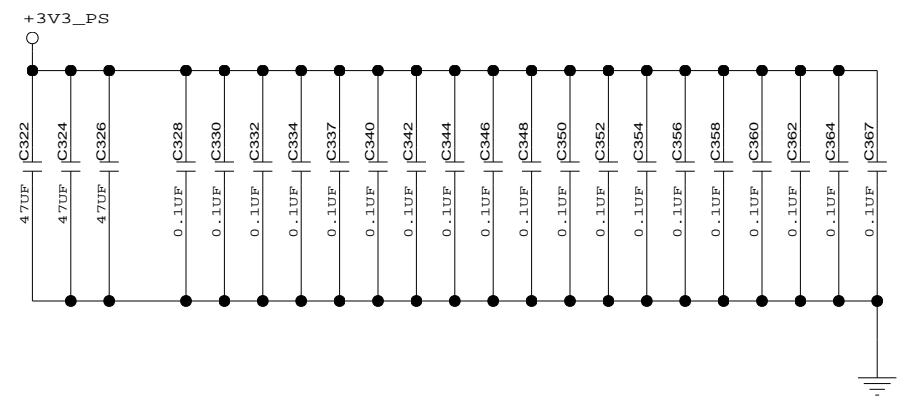
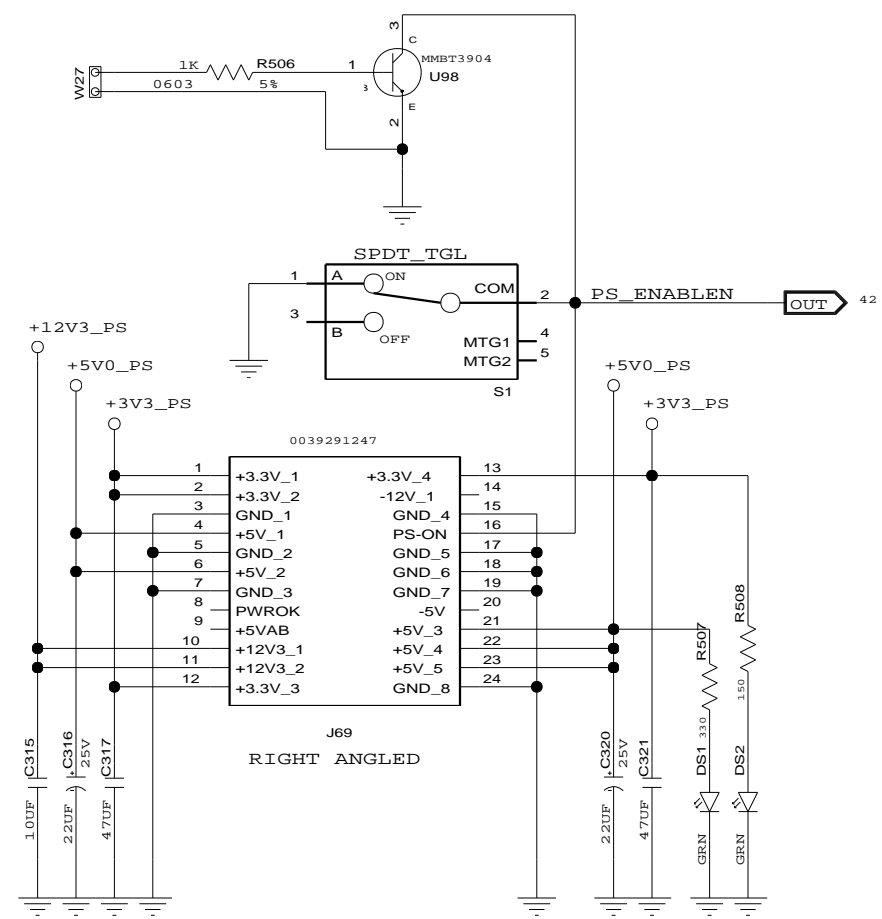
TITLE EB-LOGAN-23
 CLOCK SELECTOR DUT PCLK 0-20, GCLK 0-1

SIZE	DRAWING NO.	FAB P/N	REV.
B	SCH-PESEB-001	18-691-001	2.0
AUTHOR		CHECKED BY	
Tony Tran		Derek Huang	
Thu Jul 01 15:00:59 2010			SHEET 24 OF 52

SXXCLK - SLOT CLK
 BSXXCLK - BUFFER SLOT CLK
 LSXXCLK - LOCAL CLOCK GEN. SLOT CLK
 SHXXCLK - SLOT HDR.CLK

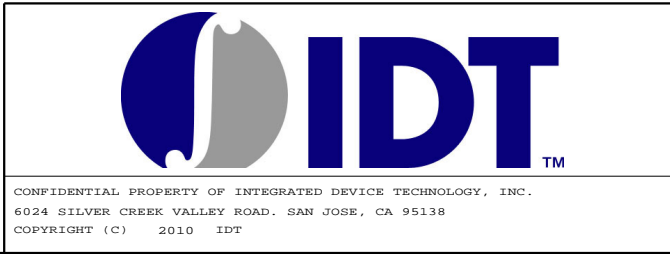
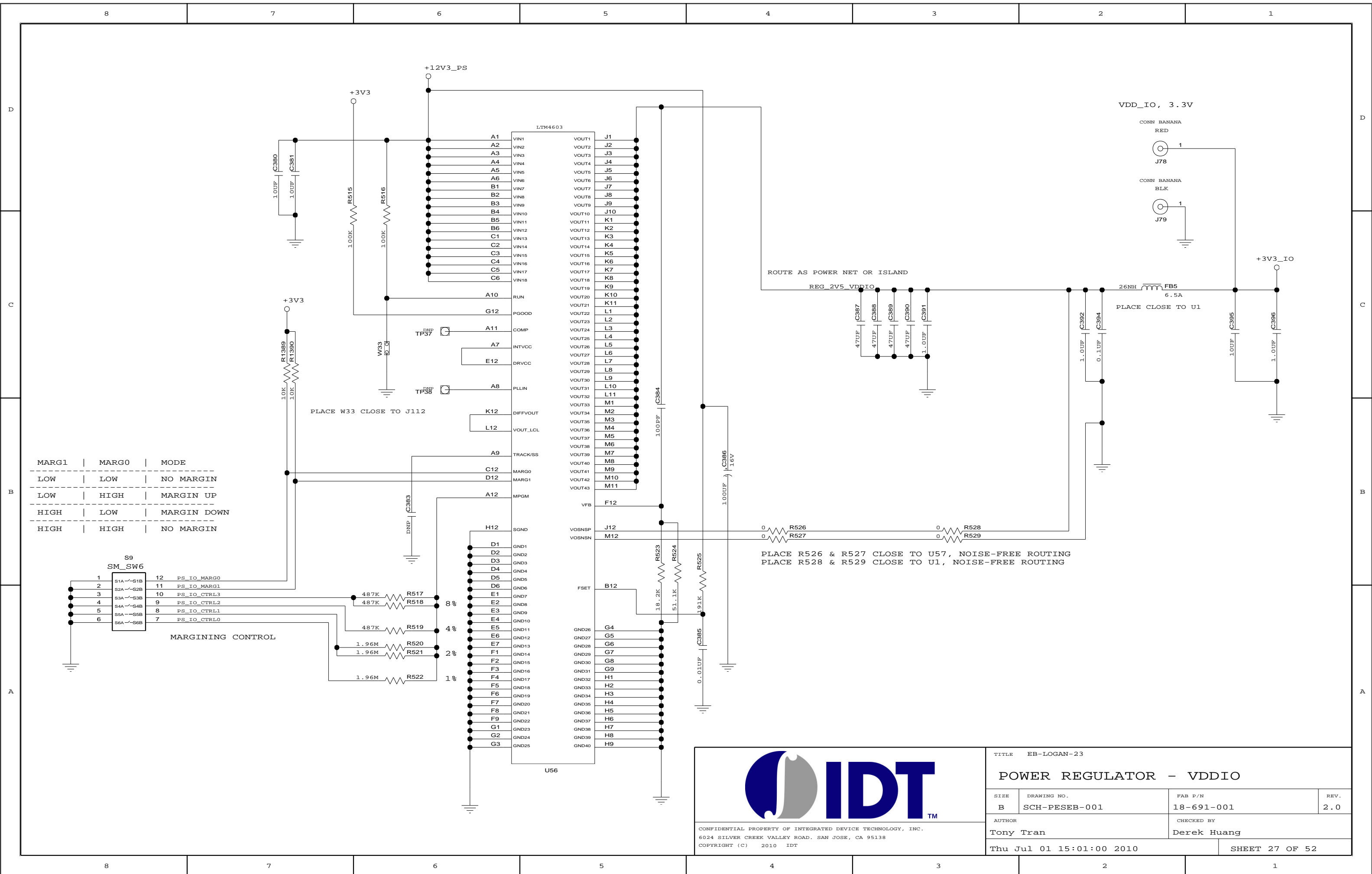


		TITLE EB-LOGAN-23		
		CLOCK SELECTOR SLOTS 0-20		
SIZE	DRAWING NO.	FAB P/N	REV.	
B	SCH-PESEB-001	18-691-001	2.0	
AUTHOR		CHECKED BY		
Tony Tran		Derek Huang		
Thu Jul 01 15:00:59 2010			SHEET 25 OF 52	
CONFIDENTIAL PROPERTY OF INTEGRATED DEVICE TECHNOLOGY, INC. 6024 SILVER CREEK VALLEY ROAD. SAN JOSE, CA 95138 COPYRIGHT (C) 2010 IDT				

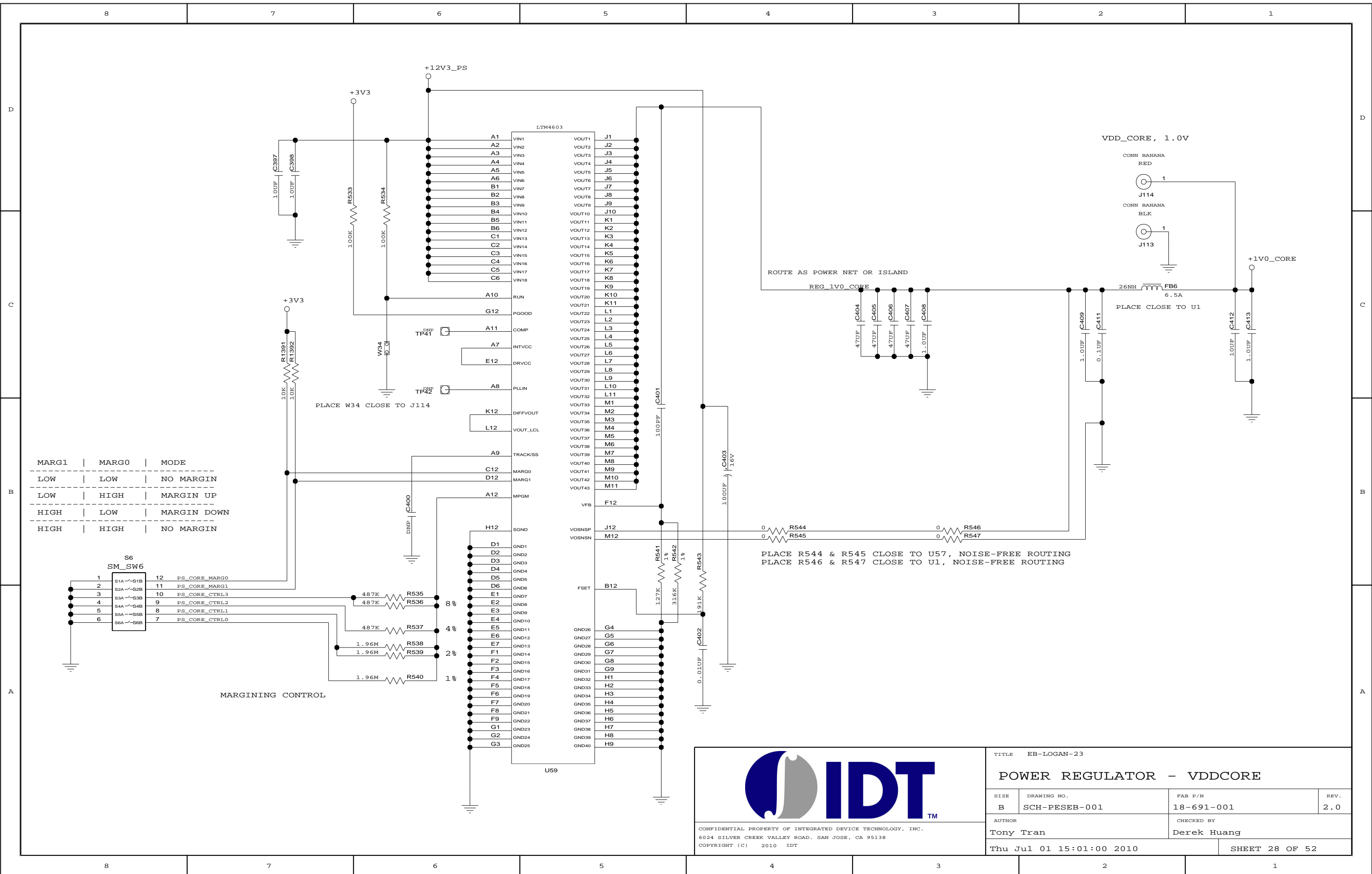


CONFIDENTIAL PROPERTY OF INTEGRATED DEVICE TECHNOLOGY, INC.
 6024 SILVER CREEK VALLEY ROAD, SAN JOSE, CA 95138
 COPYRIGHT (C) 2010 IDT

TITLE EB-LOGAN-23			
POWER CONNECTORS			
SIZE B	DRAWING NO. SCH-PESEB-001	FAB P/N 18-691-001	REV. 2.0
AUTHOR Tony Tran		CHECKED BY Derek Huang	
Thu Jul 01 15:01:00 2010			SHEET 26 OF 52



TITLE EB-LOGAN-23			
POWER REGULATOR - VDDIO			
SIZE B	DRAWING NO. SCH-PESEB-001	FAB P/N 18-691-001	REV. 2.0
AUTHOR Tony Tran		CHECKED BY Derek Huang	
Thu Jul 01 15:01:00 2010			SHEET 27 OF 52

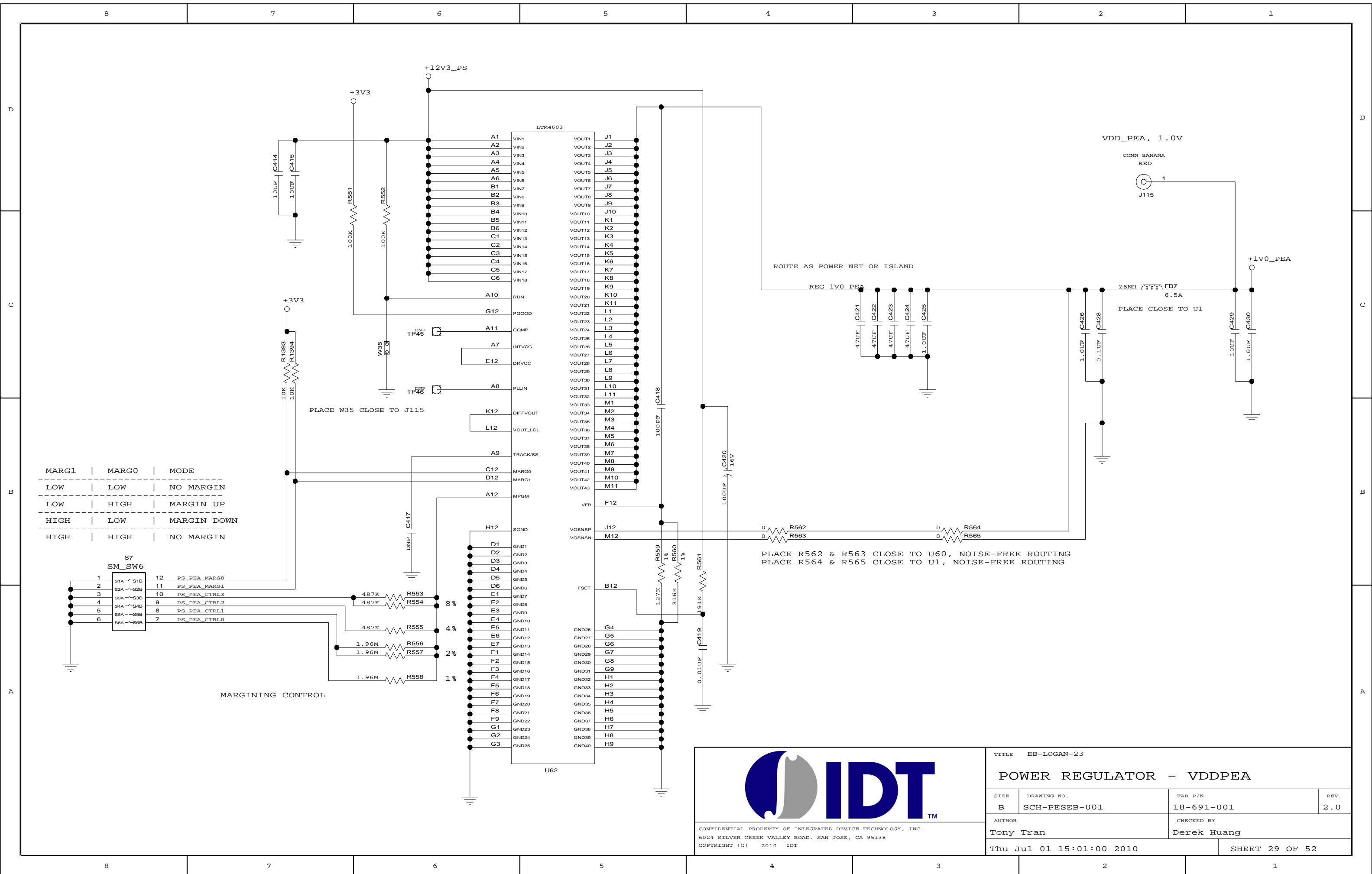


MARG1	MARG0	MODE
LOW	LOW	NO MARGIN
LOW	HIGH	MARGIN UP
HIGH	LOW	MARGIN DOWN
HIGH	HIGH	NO MARGIN

MARGINING CONTROL

CONFIDENTIAL PROPERTY OF INTEGRATED DEVICE TECHNOLOGY, INC.
 6024 SILVER CREEK VALLEY ROAD, SAN JOSE, CA 95138
 COPYRIGHT (C) 2010 IDT

TITLE EB-LOGAN-23			
POWER REGULATOR - VDDCORE			
SIZE	DRAWING NO.	FAB P/N	REV.
B	SCH-PESEB-001	18-691-001	2.0
AUTHOR		CHECKED BY	
Tony Tran		Derek Huang	
Thu Jul 01 15:01:00 2010			SHEET 28 OF 52



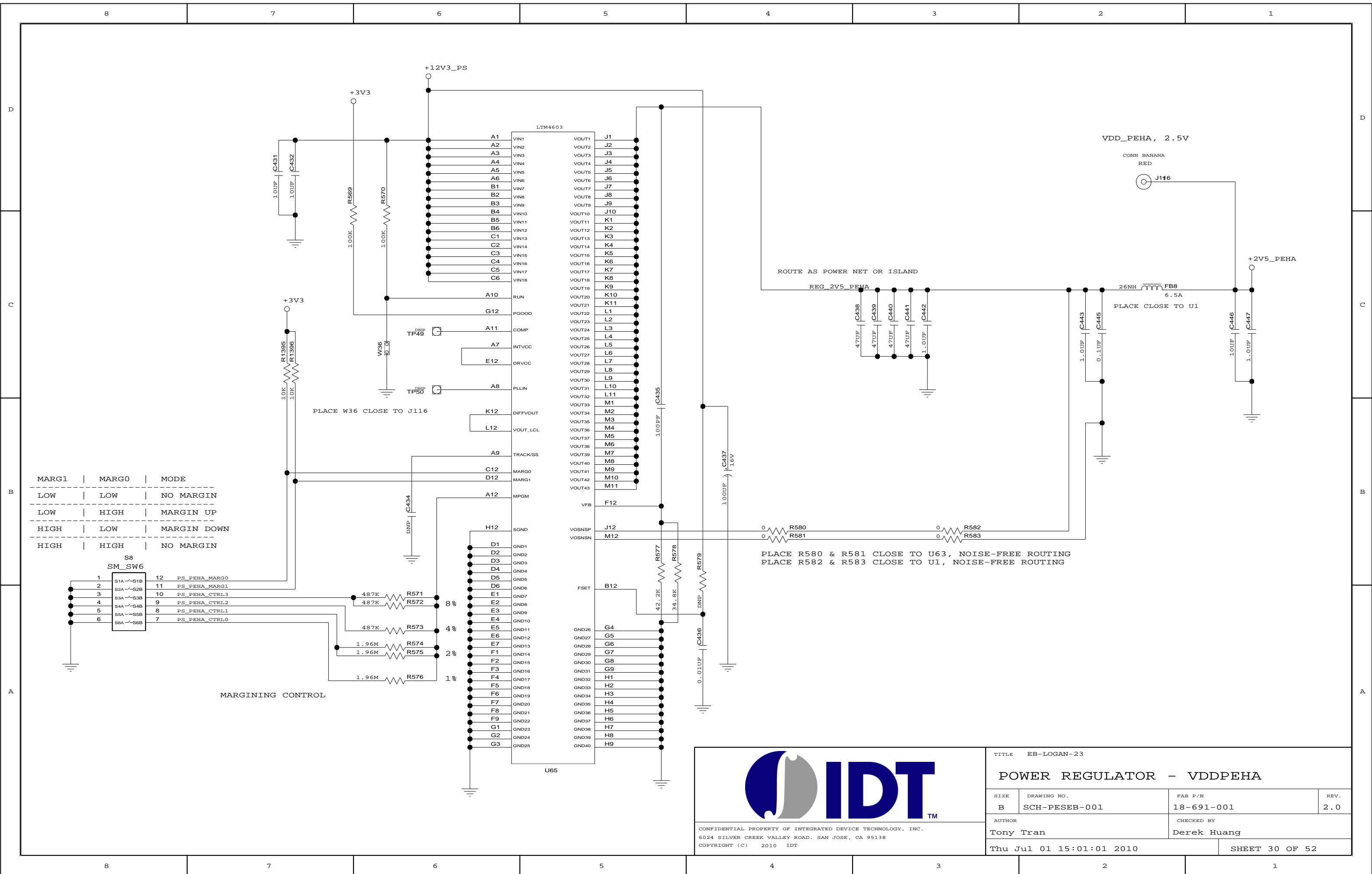
MARG1	MARG0	MODE
LOW	LOW	NO MARGIN
LOW	HIGH	MARGIN UP
HIGH	LOW	MARGIN DOWN
HIGH	HIGH	NO MARGIN

MARGINING CONTROL



CONFIDENTIAL PROPERTY OF INTEGRATED DEVICE TECHNOLOGY, INC.
 6024 SILVER CREEK VALLEY ROAD, SAN JOSE, CA 95138
 COPYRIGHT (C) 2010 IDT

TITLE EB-LOGAN-23			
POWER REGULATOR - VDDPEA			
SIZE B	DRAWING NO. SCH-PESEB-001	FAB P/N 18-691-001	REV. 2.0
AUTHOR Tony Tran		CHECKED BY Derek Huang	
Thu Jul 01 15:01:00 2010			SHEET 29 OF 52

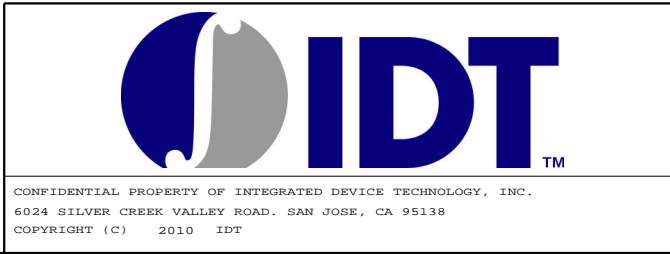
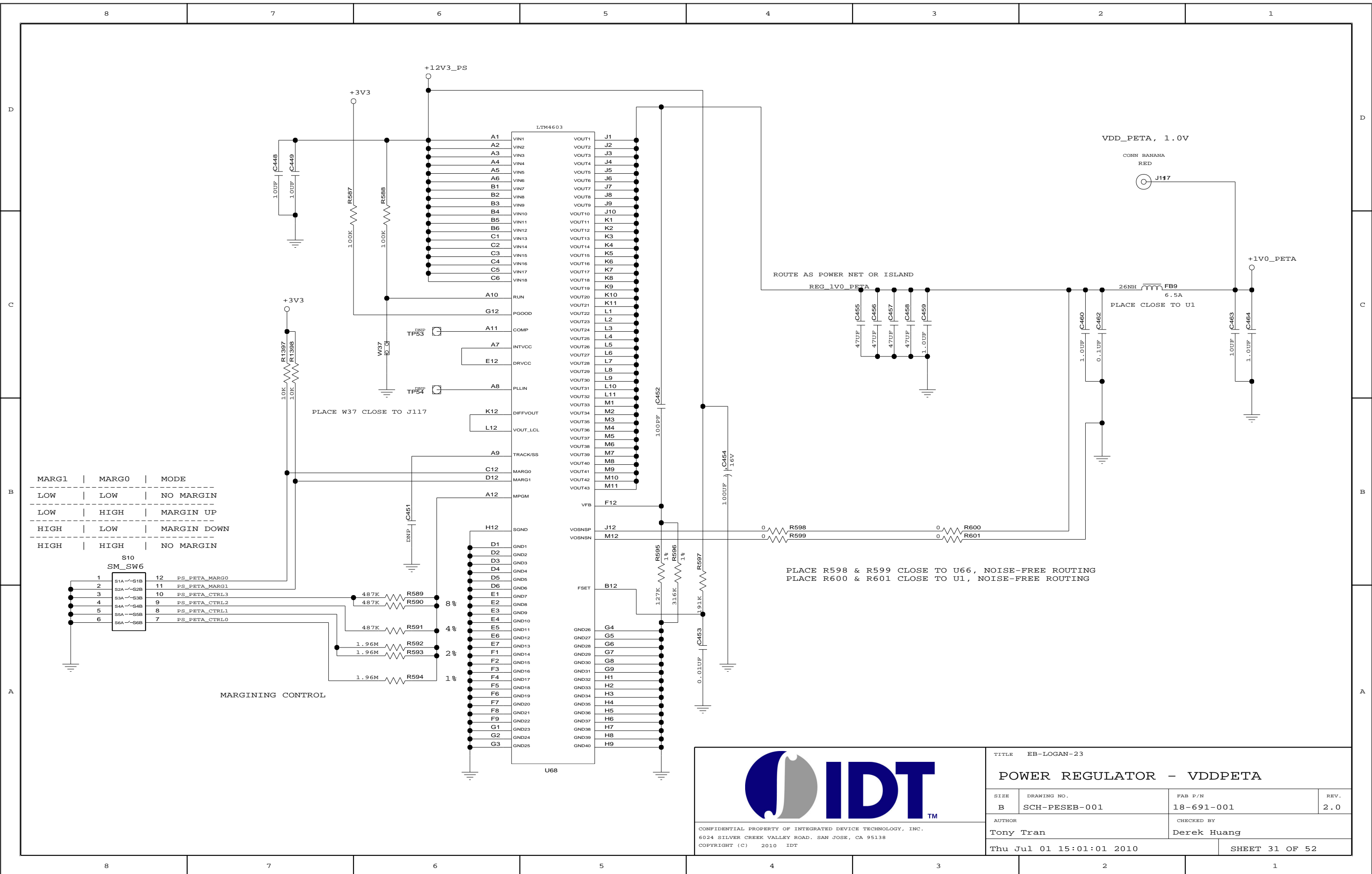


MARG1	MARG0	MODE
LOW	LOW	NO MARGIN
LOW	HIGH	MARGIN UP
HIGH	LOW	MARGIN DOWN
HIGH	HIGH	NO MARGIN

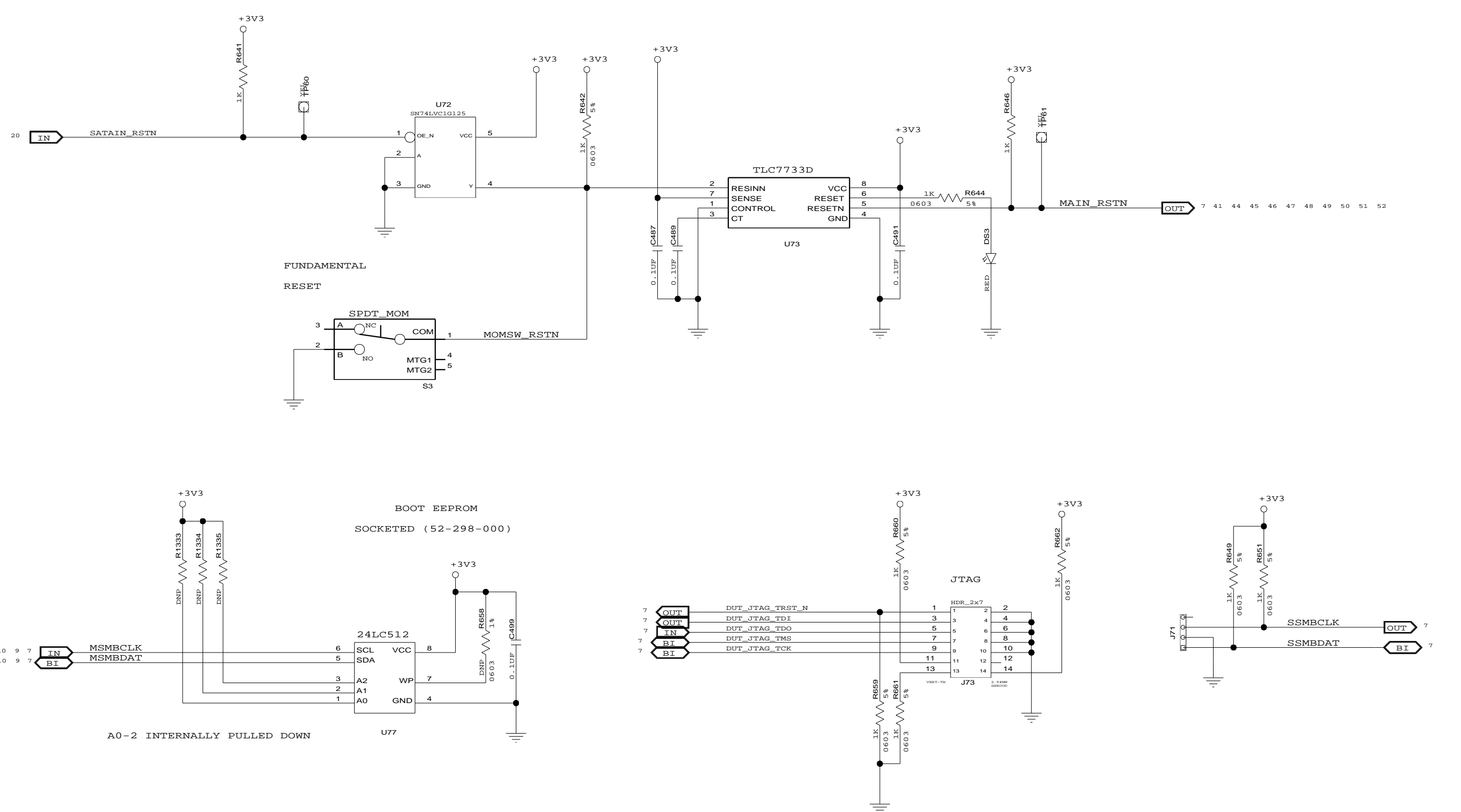
MARGINING CONTROL


CONFIDENTIAL PROPERTY OF INTEGRATED DEVICE TECHNOLOGY, INC.
 6024 SILVER CREEK VALLEY ROAD, SAN JOSE, CA 95138
 COPYRIGHT (C) 2010 IDT

TITLE EB-LOGAN-23			
POWER REGULATOR - VDDPEHA			
SIZE	DRAWING NO.	FAB P/N	REV.
B	SCH-PESEB-001	18-691-001	2.0
AUTHOR		CHECKED BY	
Tony Tran		Derek Huang	
Thu Jul 01 15:01:01 2010			SHEET 30 OF 52

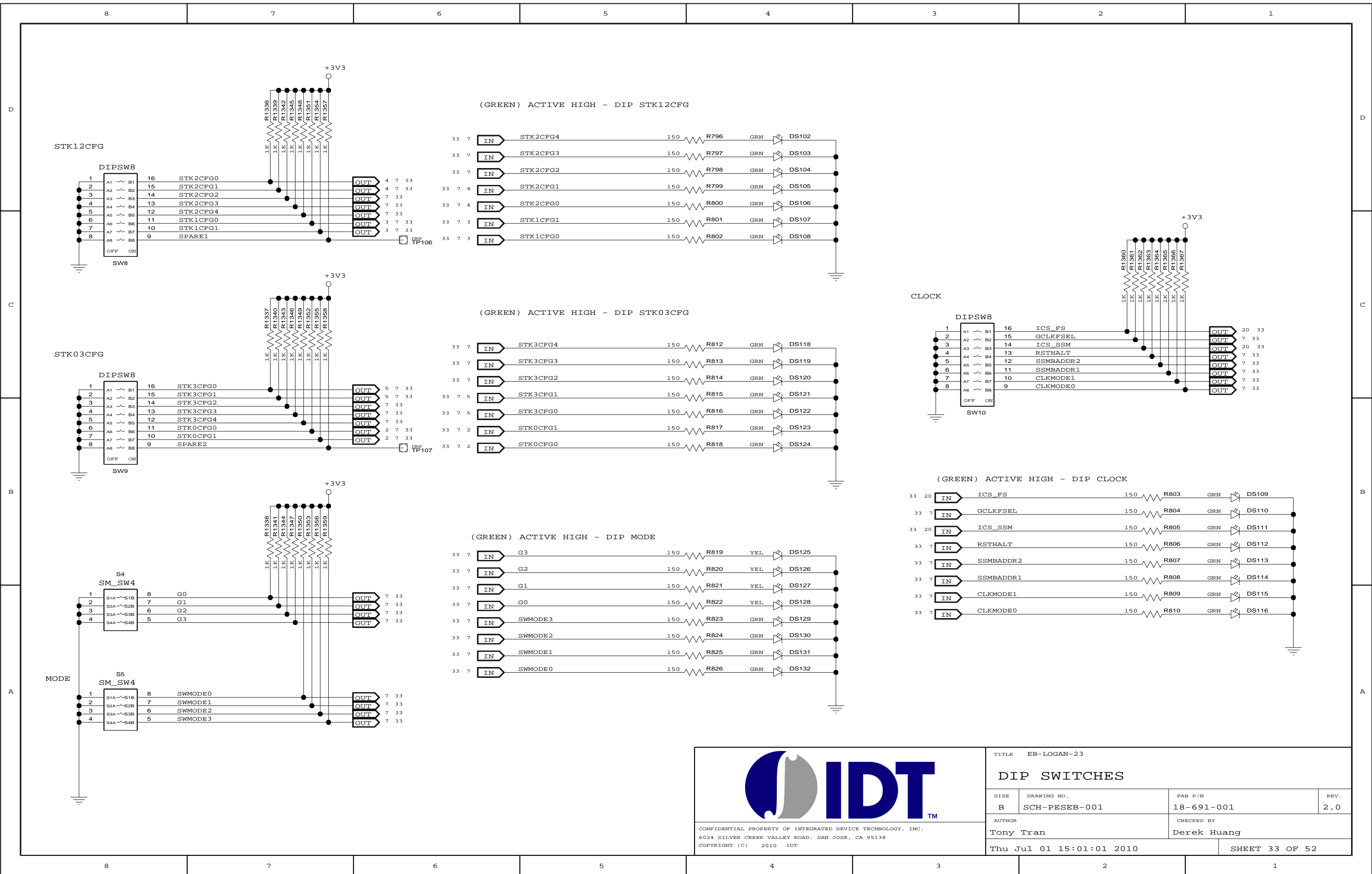



TITLE EB-LOGAN-23			
POWER REGULATOR - VDDPETA			
SIZE B	DRAWING NO. SCH-PESEB-001	FAB P/N 18-691-001	REV. 2.0
AUTHOR Tony Tran		CHECKED BY Derek Huang	
Thu Jul 01 15:01:01 2010			SHEET 31 OF 52



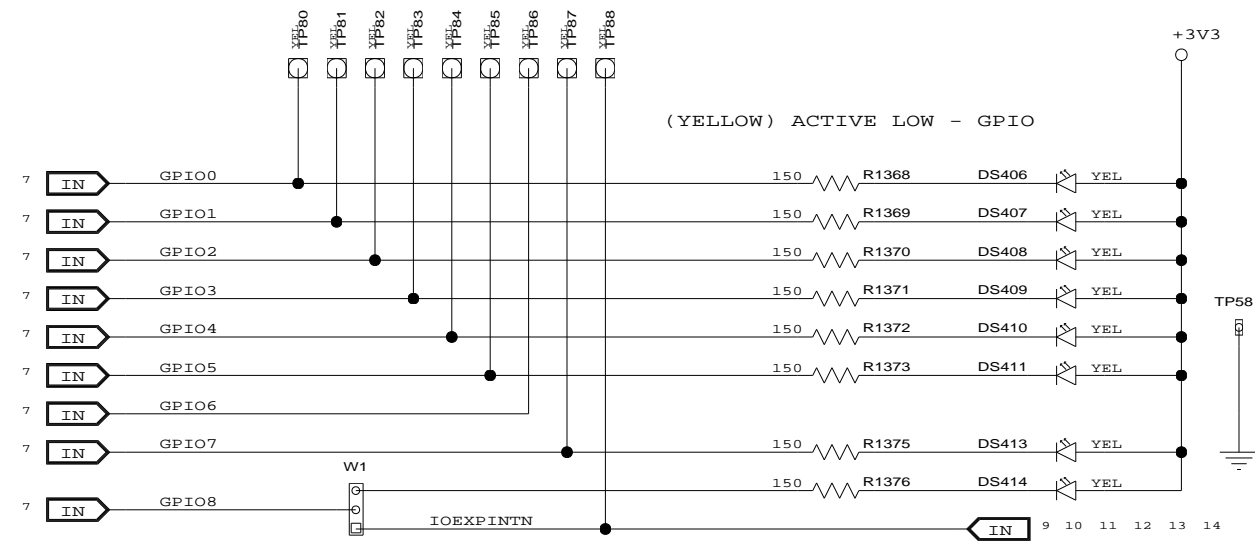
		TITLE EB-LOGAN-23	
		RESET, SMBUS, EEPROM, JTAG	
SIZE B	DRAWING NO. SCH-PESEB-001	FAB P/N 18-691-001	REV. 2.0
AUTHOR Tony Tran		CHECKED BY Derek Huang	
Thu Jul 01 15:01:01 2010			SHEET 32 OF 52

CONFIDENTIAL PROPERTY OF INTEGRATED DEVICE TECHNOLOGY, INC.
 6024 SILVER CREEK VALLEY ROAD. SAN JOSE, CA 95138
 COPYRIGHT (C) 2010 IDT

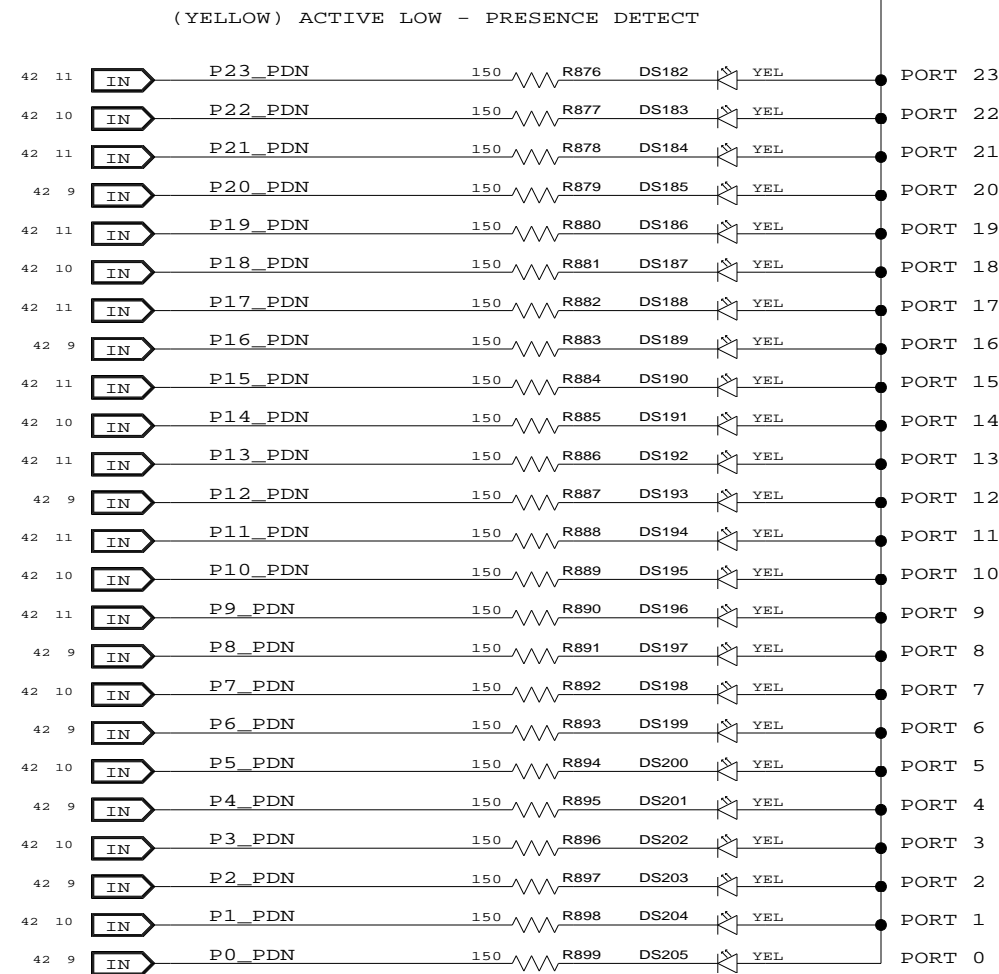
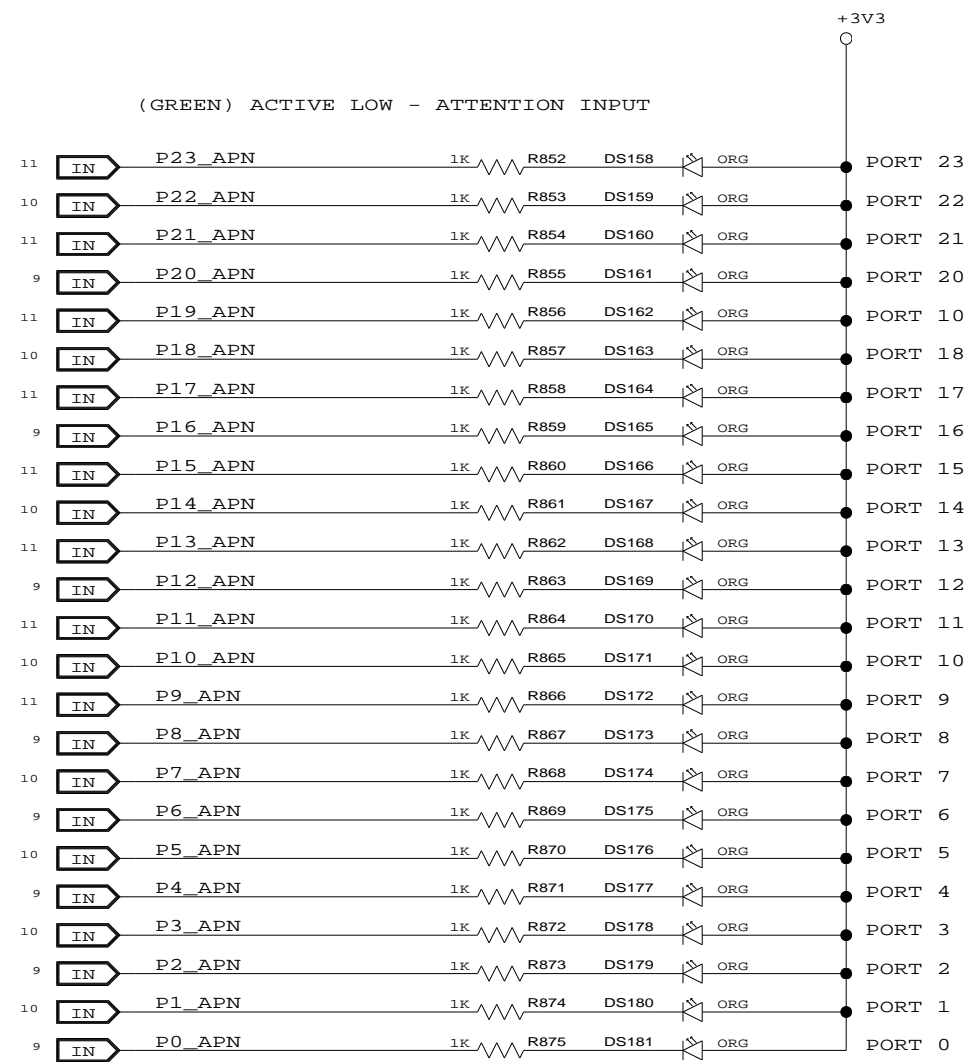


				TITLE EB-LOGAN-23			
				DIP SWITCHES			
SIZE	DRAWING NO.	FAB P/N	REV.				
B	SCH-PESEB-001	18-691-001	2.0				
AUTHOR		CHECKED BY					
Tony Tran		Derek Huang					
Thu Jul 01 15:01:01 2010			SHEET 33 OF 52				

CONFIDENTIAL PROPERTY OF INTEGRATED DEVICE TECHNOLOGY, INC.
 6024 SILVER CREEK VALLEY ROAD. SAN JOSE, CA 95138
 COPYRIGHT (C) 2010 IDT



GPIO	ALT0	ALT1
0	PART0PERSTN	P16LINKUPN
1	PART1PERSTN	P16ACTIVEN
2	PART2PERSTN	P4LINKUPN
3	PART3PERSTN	P4ACTIVEN
4	FAILOVER0	P0LINKUPN
5	GPEN	P0ACTIVEN
6	FAILOVER1	FAILOVER3
7	FAILOVER2	P8LINKUPN
8	IOEXPINTN W1:1-2	P8ACTIVEN W1:2-3



CONFIDENTIAL PROPERTY OF INTEGRATED DEVICE TECHNOLOGY, INC.
6024 SILVER CREEK VALLEY ROAD, SAN JOSE, CA 95138
COPYRIGHT (C) 2010 IDT

TITLE EB-LOGAN-23			
LED - PORT STATUS (1 OF 7)			
SIZE B	DRAWING NO. SCH-PESEB-001	FAB P/N 18-691-001	REV. 2.0
AUTHOR Tony Tran		CHECKED BY Derek Huang	
Thu Jul 01 15:01:02 2010			SHEET 34 OF 52

D

D

C

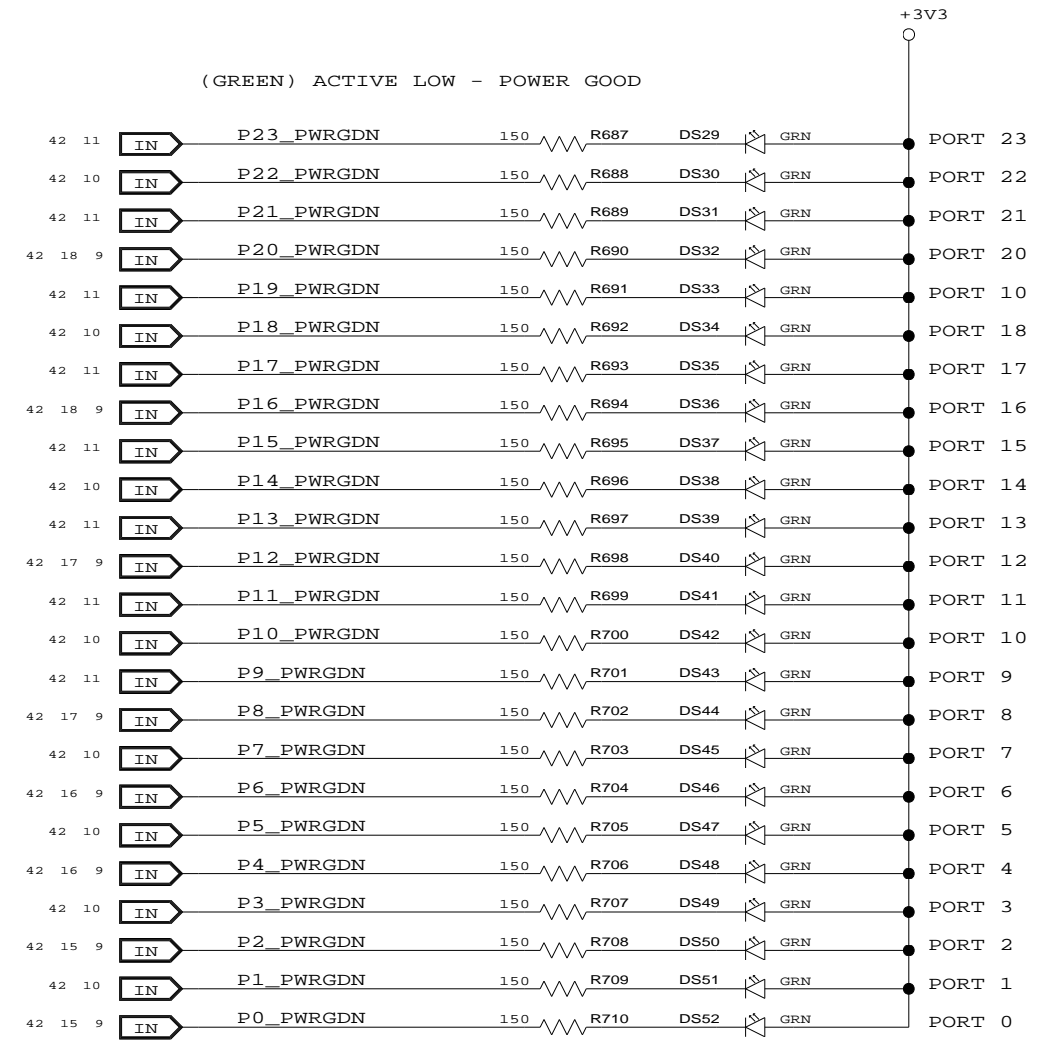
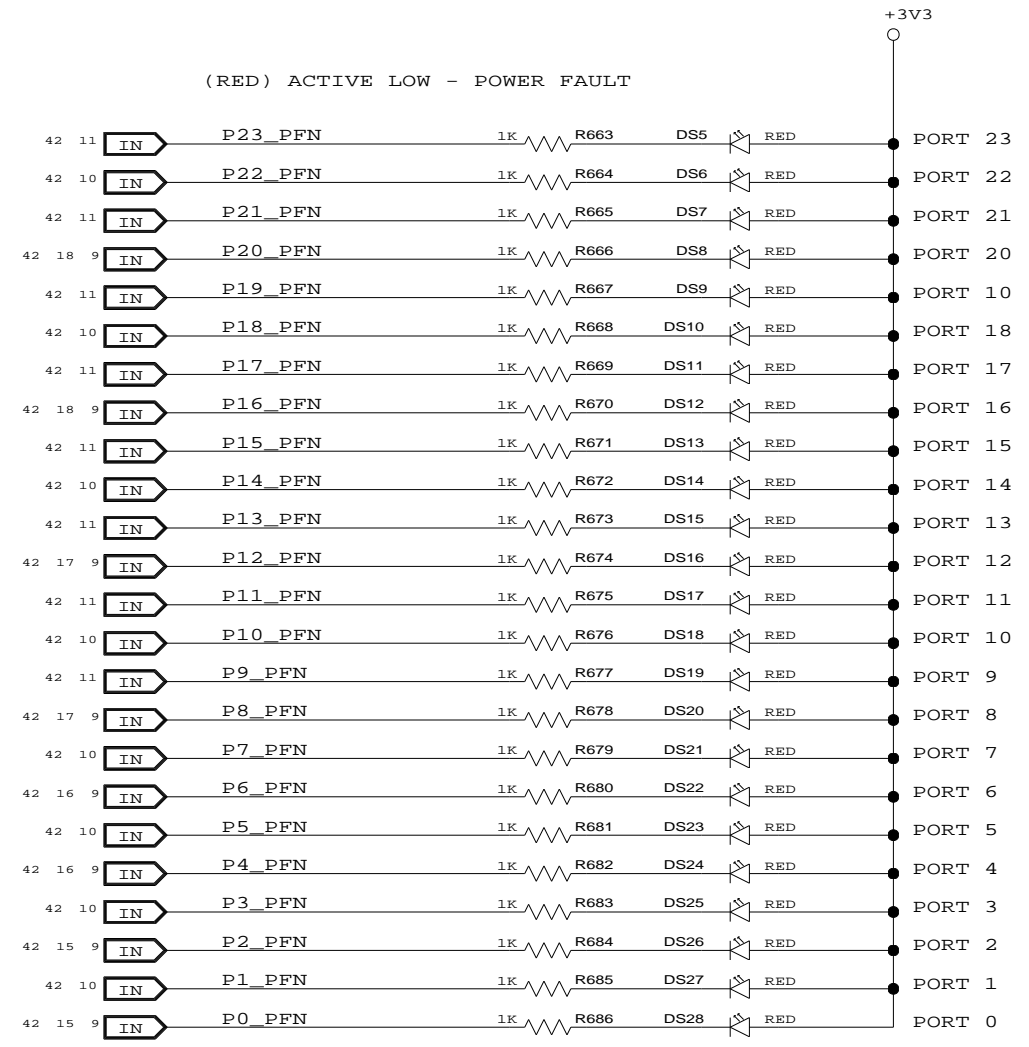
C

B

B

A

A



CONFIDENTIAL PROPERTY OF INTEGRATED DEVICE TECHNOLOGY, INC.
 6024 SILVER CREEK VALLEY ROAD. SAN JOSE, CA 95138
 COPYRIGHT (C) 2010 IDT

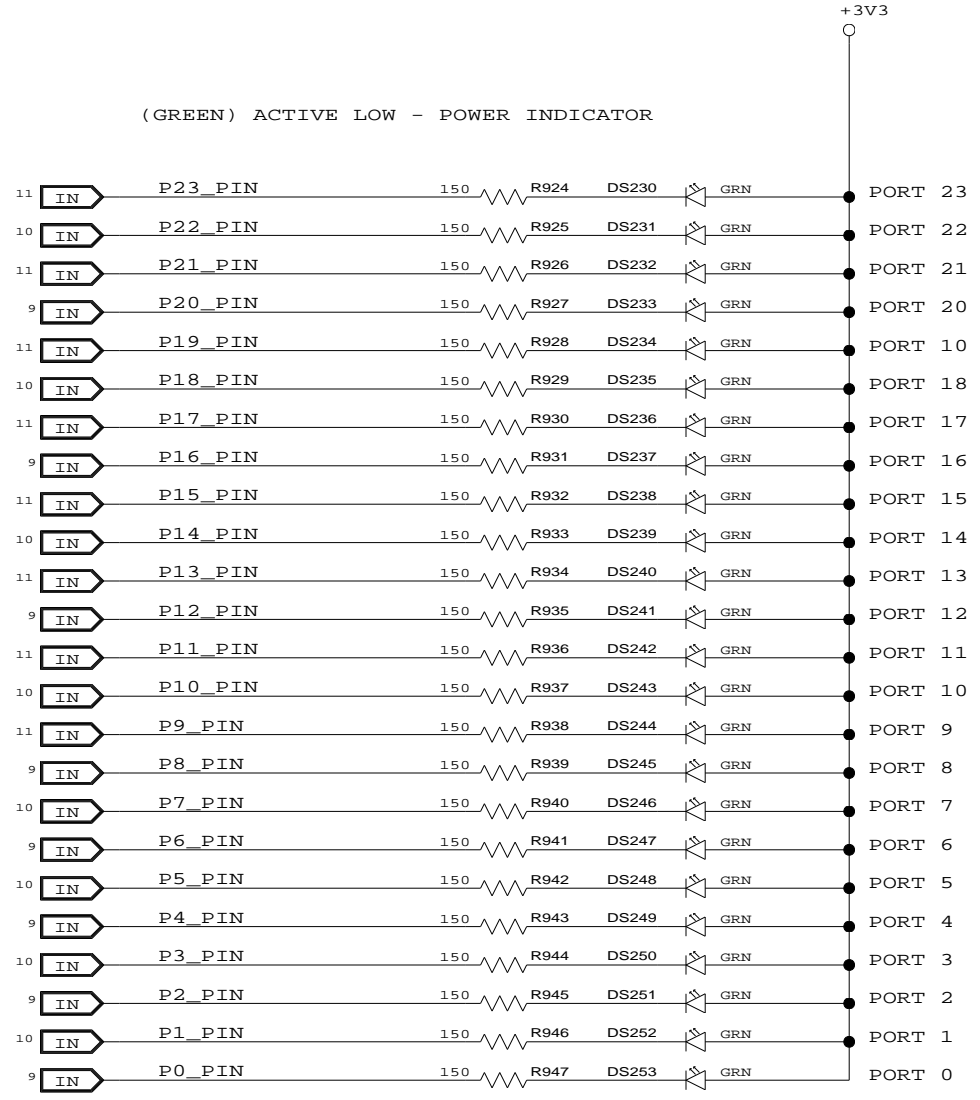
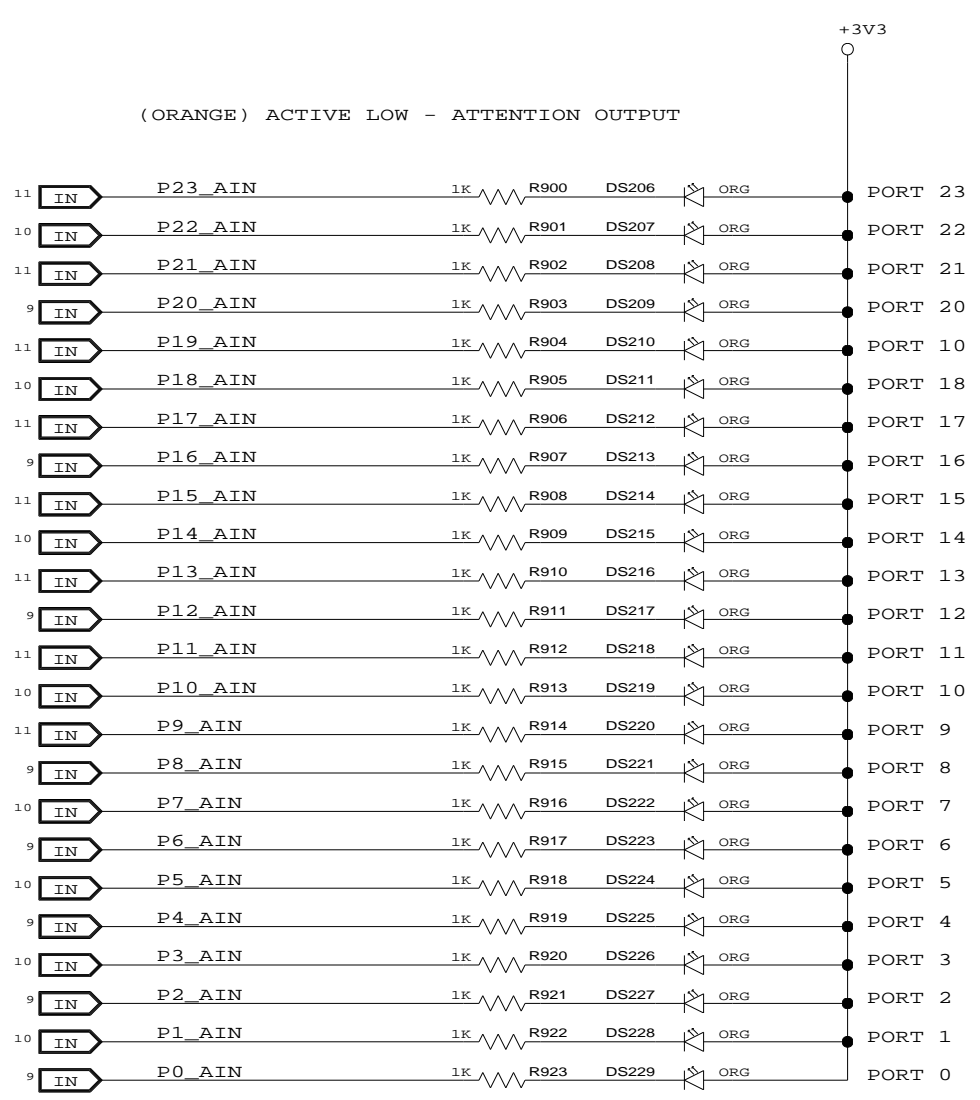
TITLE EB-LOGAN-23

LED - PORT STATUS (2 OF 7)

SIZE B	DRAWING NO. SCH-PESEB-001	FAB P/N 18-691-001	REV. 2.0
-----------	------------------------------	-----------------------	-------------

AUTHOR Tony Tran	CHECKED BY Derek Huang
---------------------	---------------------------

Thu Jul 01 15:01:02 2010 SHEET 35 OF 52



CONFIDENTIAL PROPERTY OF INTEGRATED DEVICE TECHNOLOGY, INC.
 6024 SILVER CREEK VALLEY ROAD, SAN JOSE, CA 95138
 COPYRIGHT (C) 2010 IDT

TITLE EB-LOGAN-23			
LED - PORT STATUS (3 OF 7)			
SIZE B	DRAWING NO. SCH-PESEB-001	FAB P/N 18-691-001	REV. 2.0
AUTHOR Tony Tran		CHECKED BY Derek Huang	
Thu Jul 01 15:01:02 2010			SHEET 36 OF 52

8

7

6

5

4

3

2

1

D

D

C

C

B

B

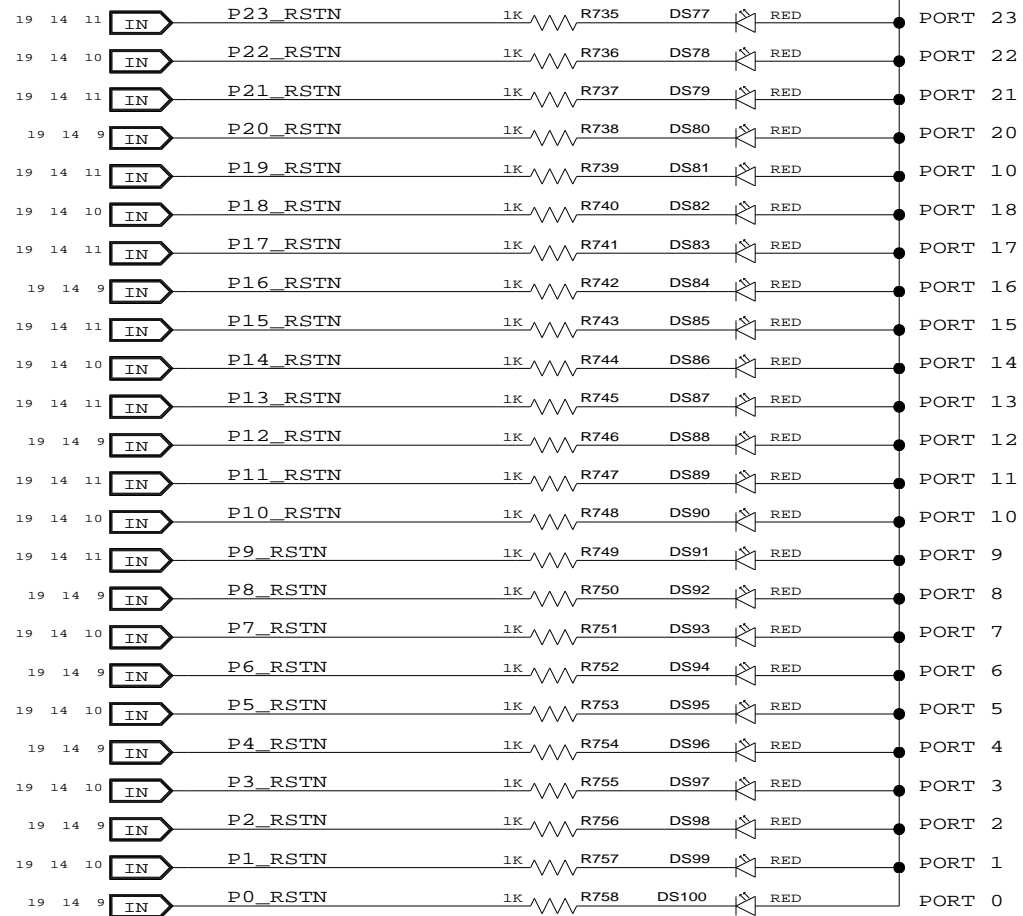
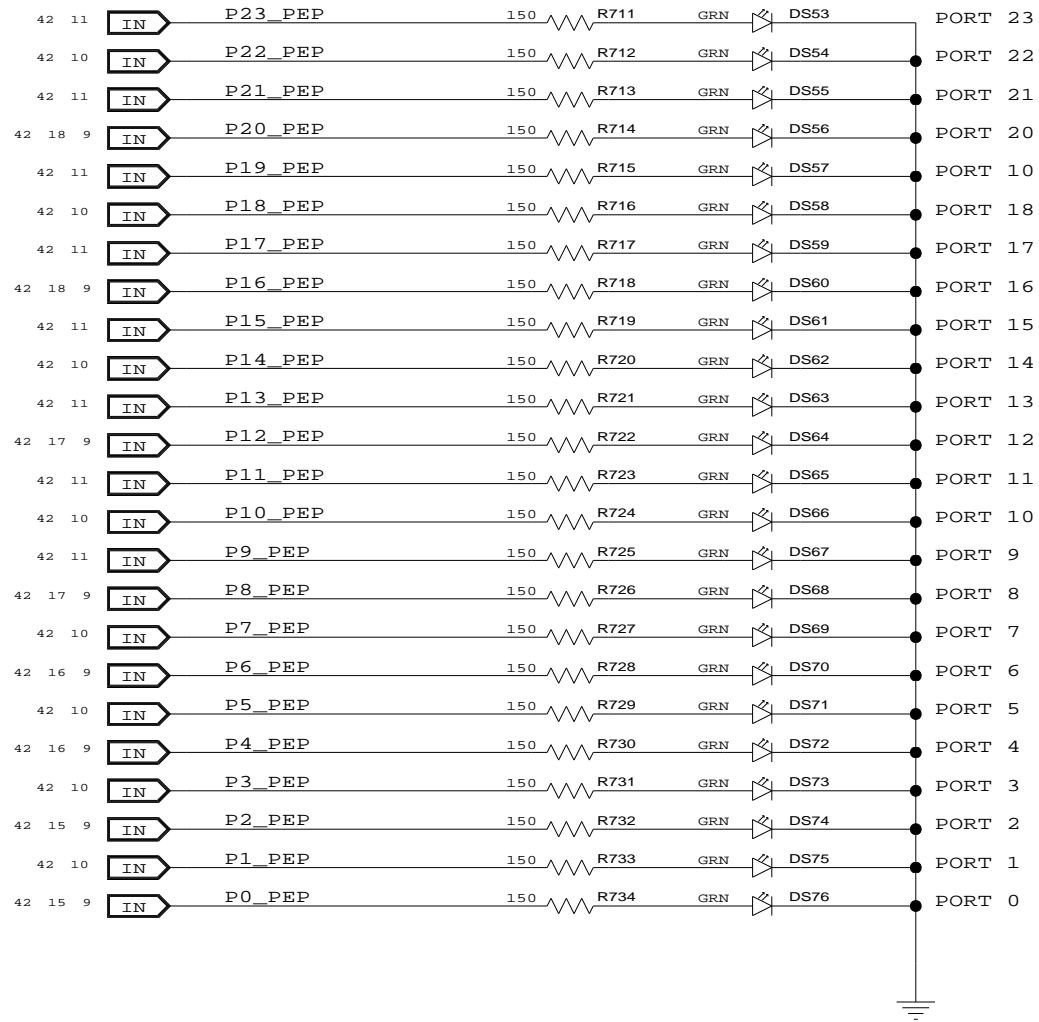
A

A

(GREEN) ACTIVE HIGH - POWER ENABLE

(RED) ACTIVE LOW - HP SLOT RST

+3V3



CONFIDENTIAL PROPERTY OF INTEGRATED DEVICE TECHNOLOGY, INC.
 6024 SILVER CREEK VALLEY ROAD, SAN JOSE, CA 95138
 COPYRIGHT (C) 2010 IDT

TITLE EB-LOGAN-23

LED - PORT STATUS (4 OF 7)

SIZE B	DRAWING NO. SCH-PESEB-001	FAB P/N 18-691-001	REV. 2.0
-----------	------------------------------	-----------------------	-------------

AUTHOR Tony Tran	CHECKED BY Derek Huang
---------------------	---------------------------

Thu Jul 01 15:01:03 2010

SHEET 37 OF 52

8

7

6

5

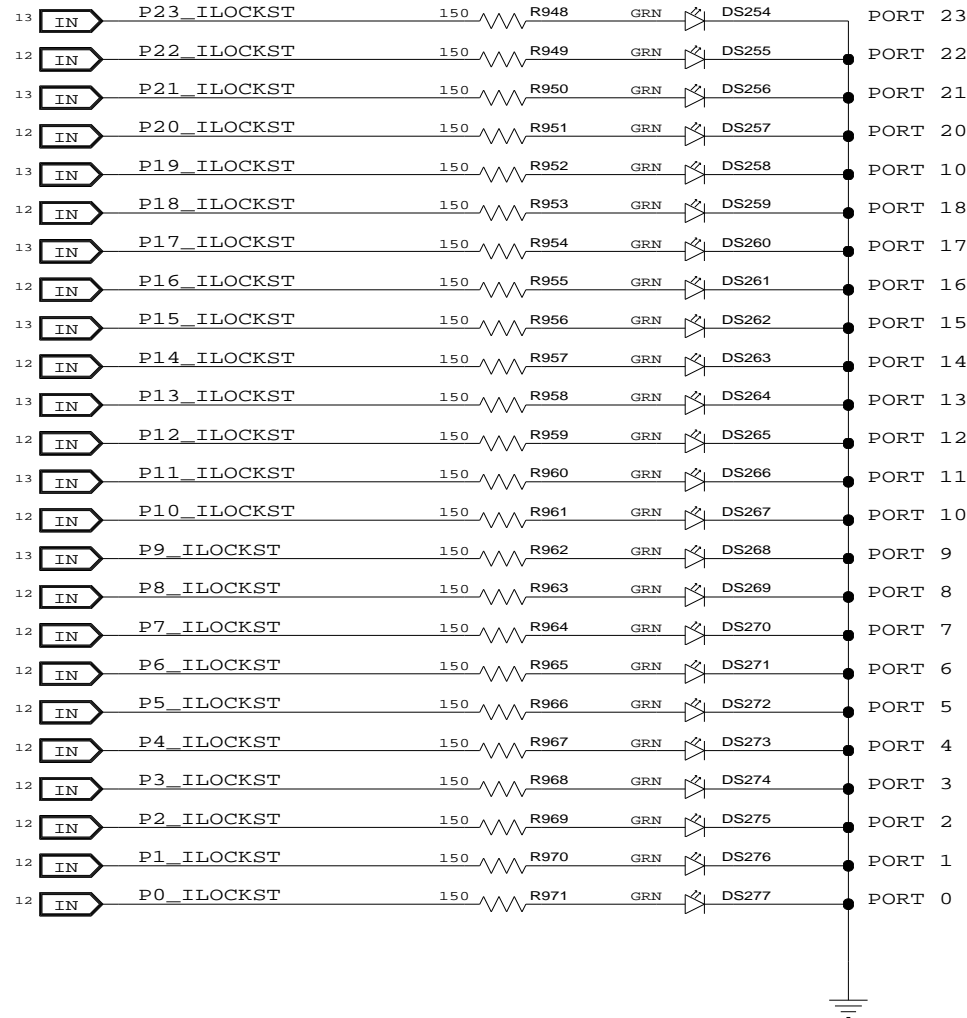
4

3

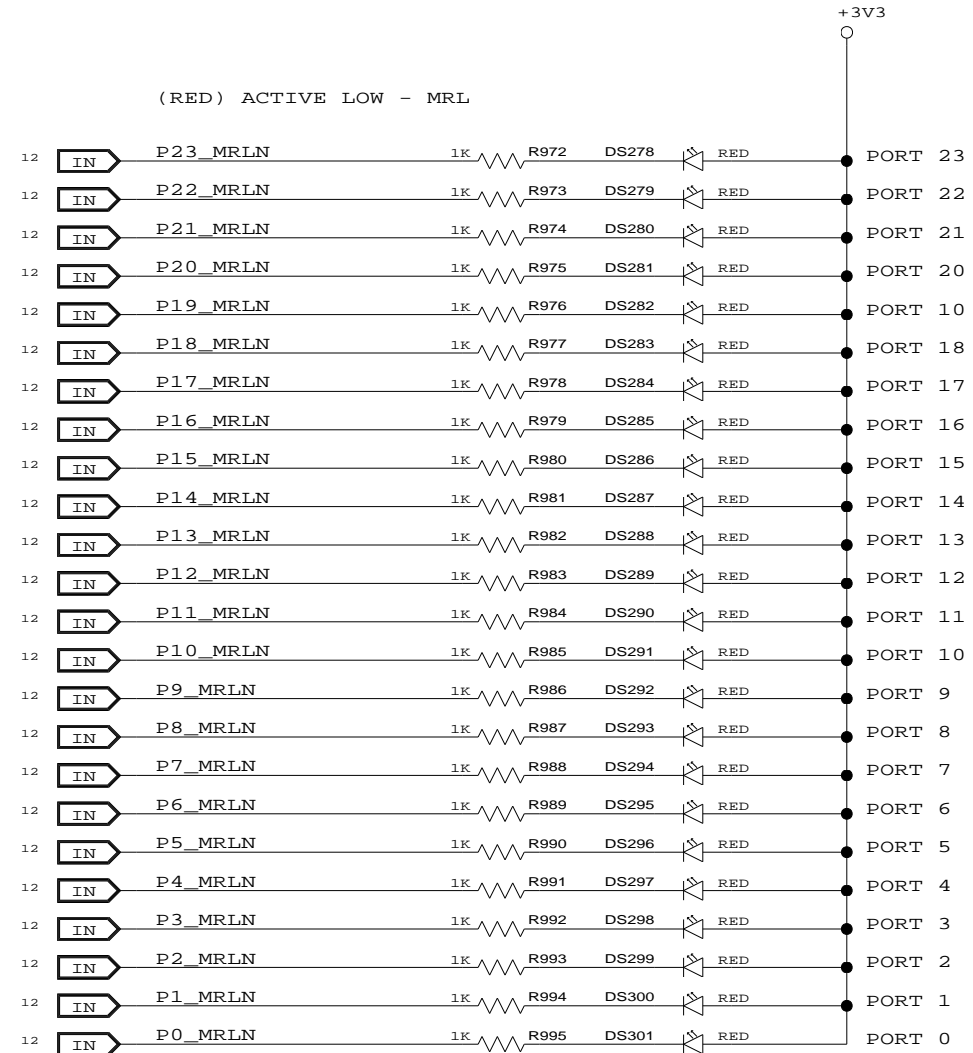
2

1

(GREEN) ACTIVE HIGH - INTERLOCK INPUT



(RED) ACTIVE LOW - MRL



CONFIDENTIAL PROPERTY OF INTEGRATED DEVICE TECHNOLOGY, INC.
 6024 SILVER CREEK VALLEY ROAD. SAN JOSE, CA 95138
 COPYRIGHT (C) 2010 IDT

TITLE EB-LOGAN-23

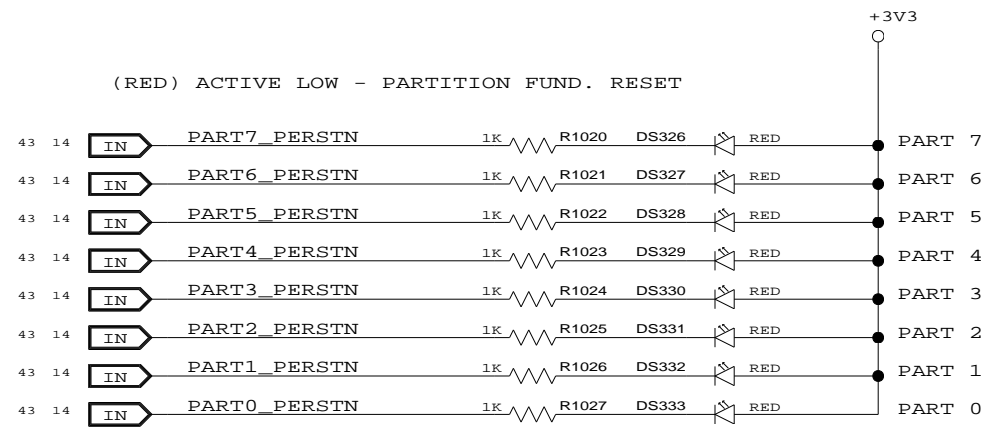
LED - PORT STATUS (5 OF 7)

SIZE B	DRAWING NO. SCH-PESEB-001	FAB P/N 18-691-001	REV. 2.0
-----------	------------------------------	-----------------------	-------------

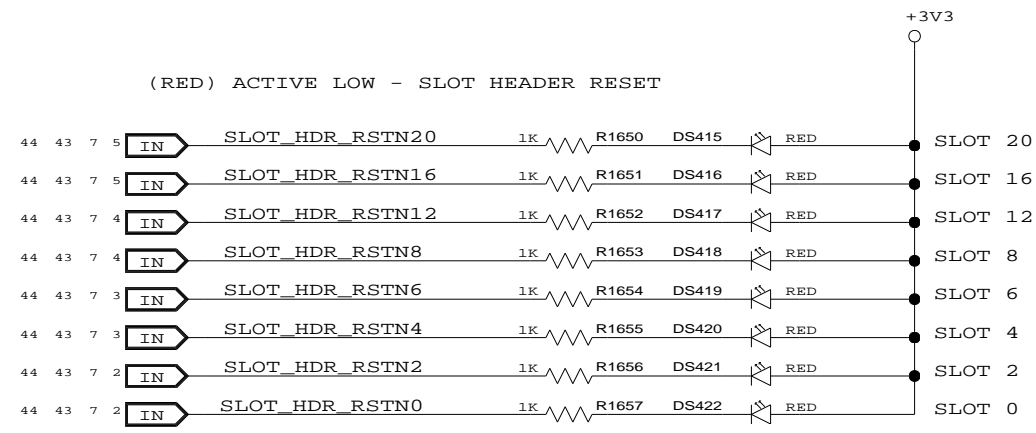
AUTHOR Tony Tran	CHECKED BY Derek Huang
---------------------	---------------------------

Thu Jul 01 15:01:03 2010 SHEET 38 OF 52

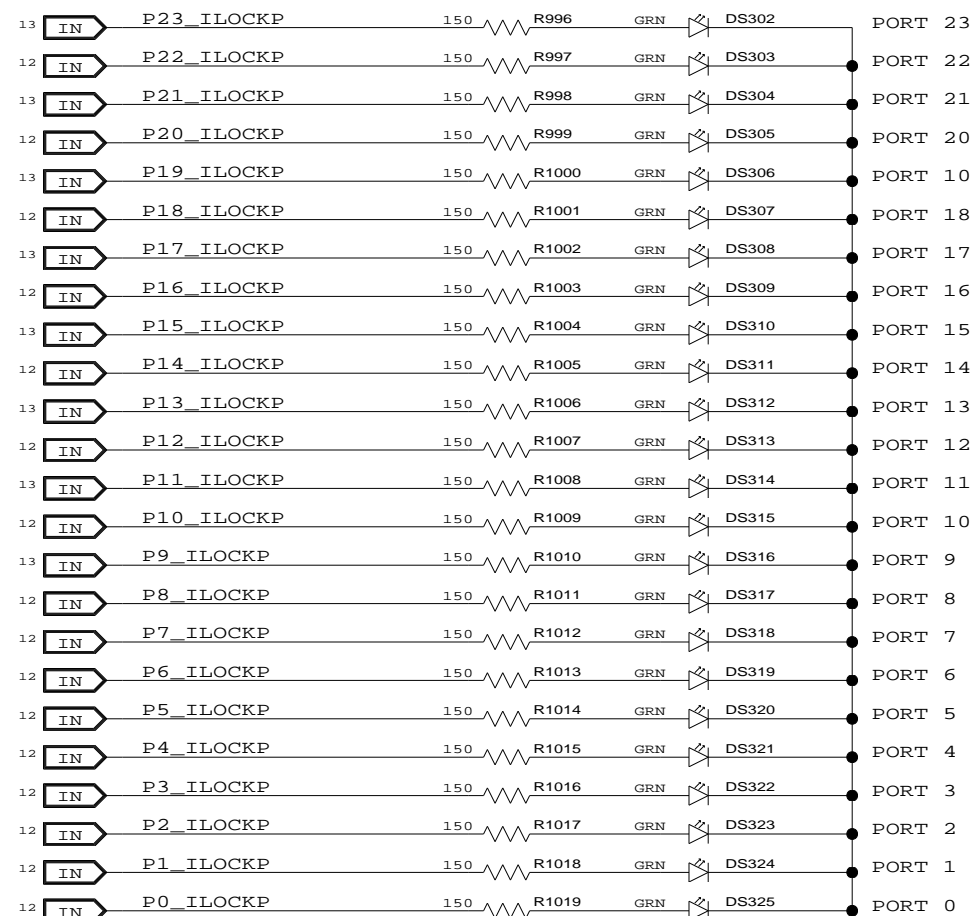
(RED) ACTIVE LOW - PARTITION FUND. RESET



(RED) ACTIVE LOW - SLOT HEADER RESET



(GREEN) ACTIVE HIGH - INTERLOCK OUTPUT



CONFIDENTIAL PROPERTY OF INTEGRATED DEVICE TECHNOLOGY, INC.
 6024 SILVER CREEK VALLEY ROAD. SAN JOSE, CA 95138
 COPYRIGHT (C) 2010 IDT

TITLE EB-LOGAN-23

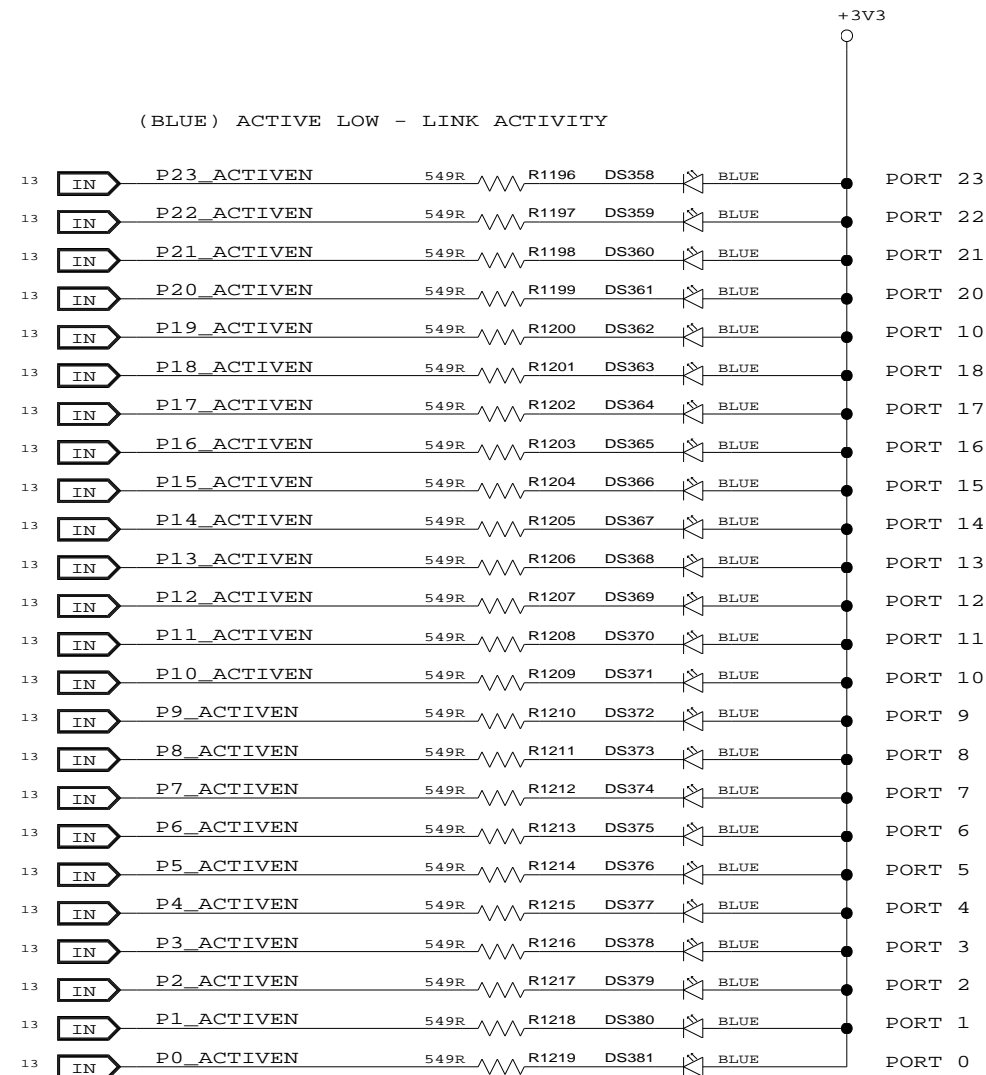
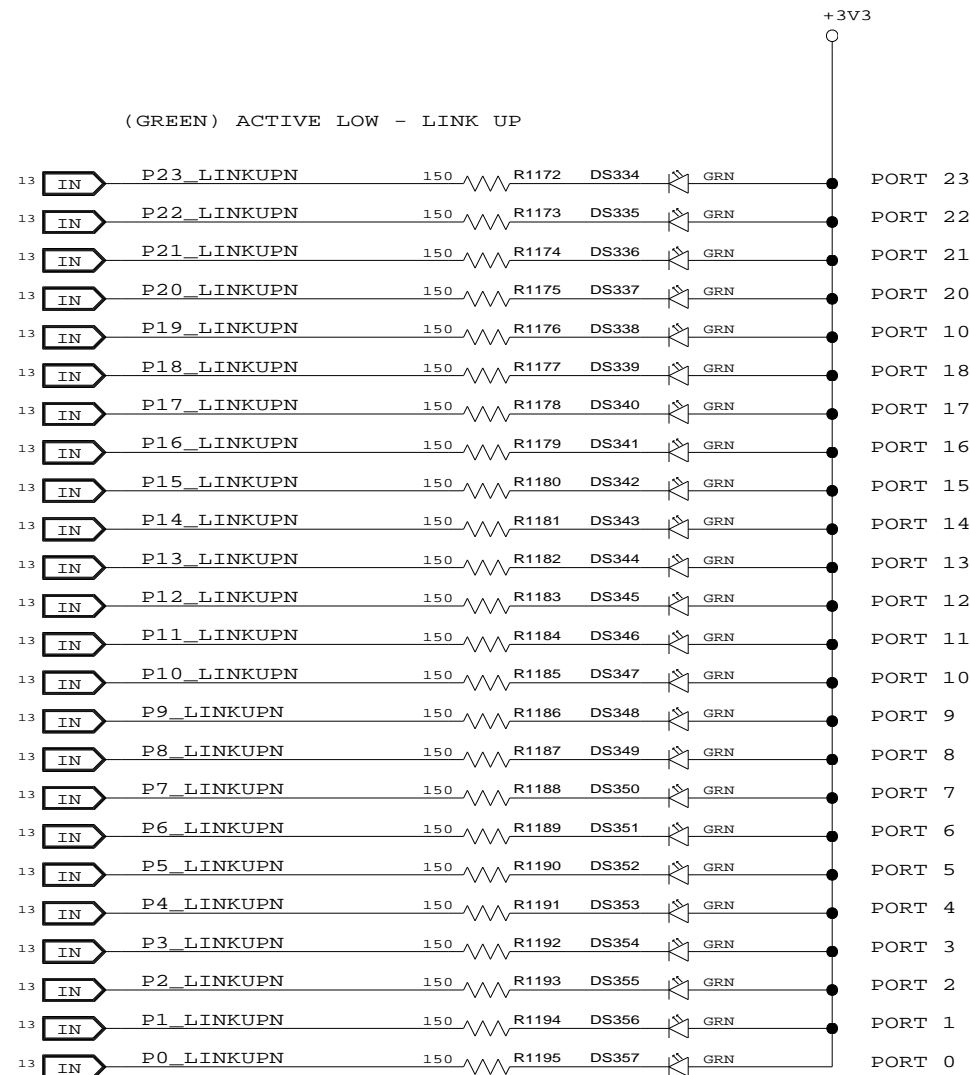
LED - PORT STATUS (6 OF 7)

SIZE B	DRAWING NO. SCH-PESEB-001	FAB P/N 18-691-001	REV. 2.0
-----------	------------------------------	-----------------------	-------------

AUTHOR Tony Tran	CHECKED BY Derek Huang
---------------------	---------------------------

Thu Jul 01 15:01:03 2010

SHEET 39 OF 52



CONFIDENTIAL PROPERTY OF INTEGRATED DEVICE TECHNOLOGY, INC.
6024 SILVER CREEK VALLEY ROAD, SAN JOSE, CA 95138
COPYRIGHT (C) 2010 IDT

TITLE EB-LOGAN-23

LED - PORT STATUS (7 OF 7)

SIZE B	DRAWING NO. SCH-PESEB-001	FAB P/N 18-691-001	REV. 2.0
-----------	------------------------------	-----------------------	-------------

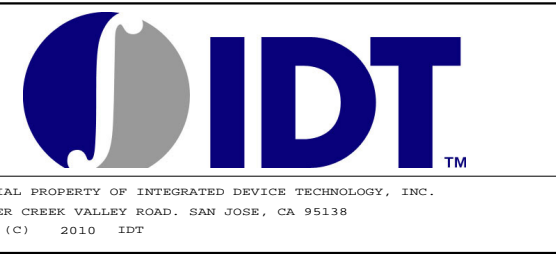
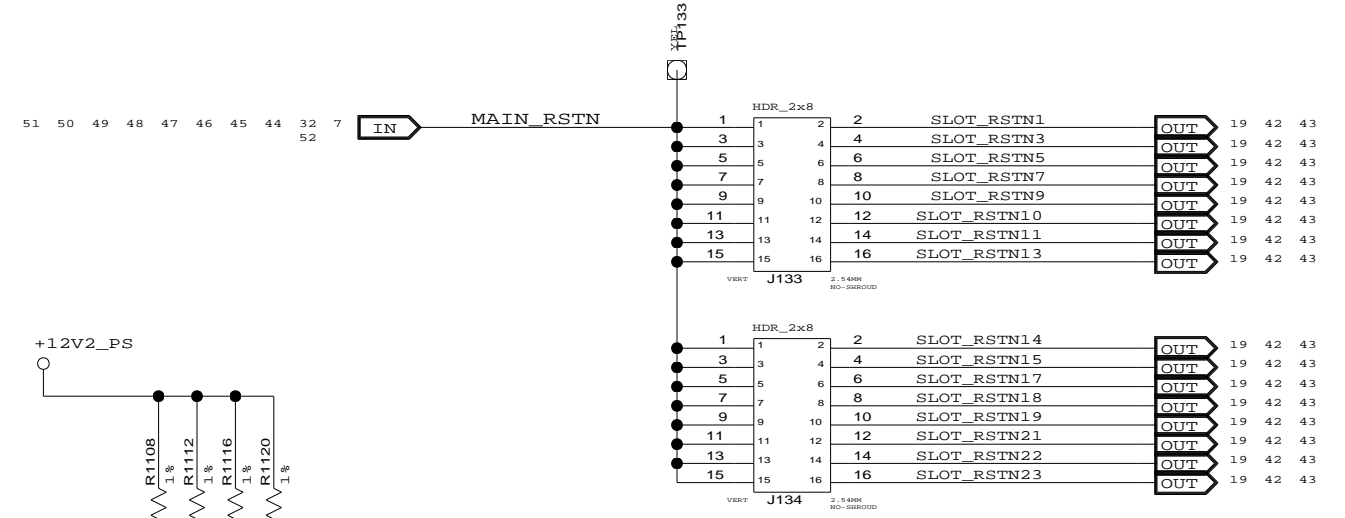
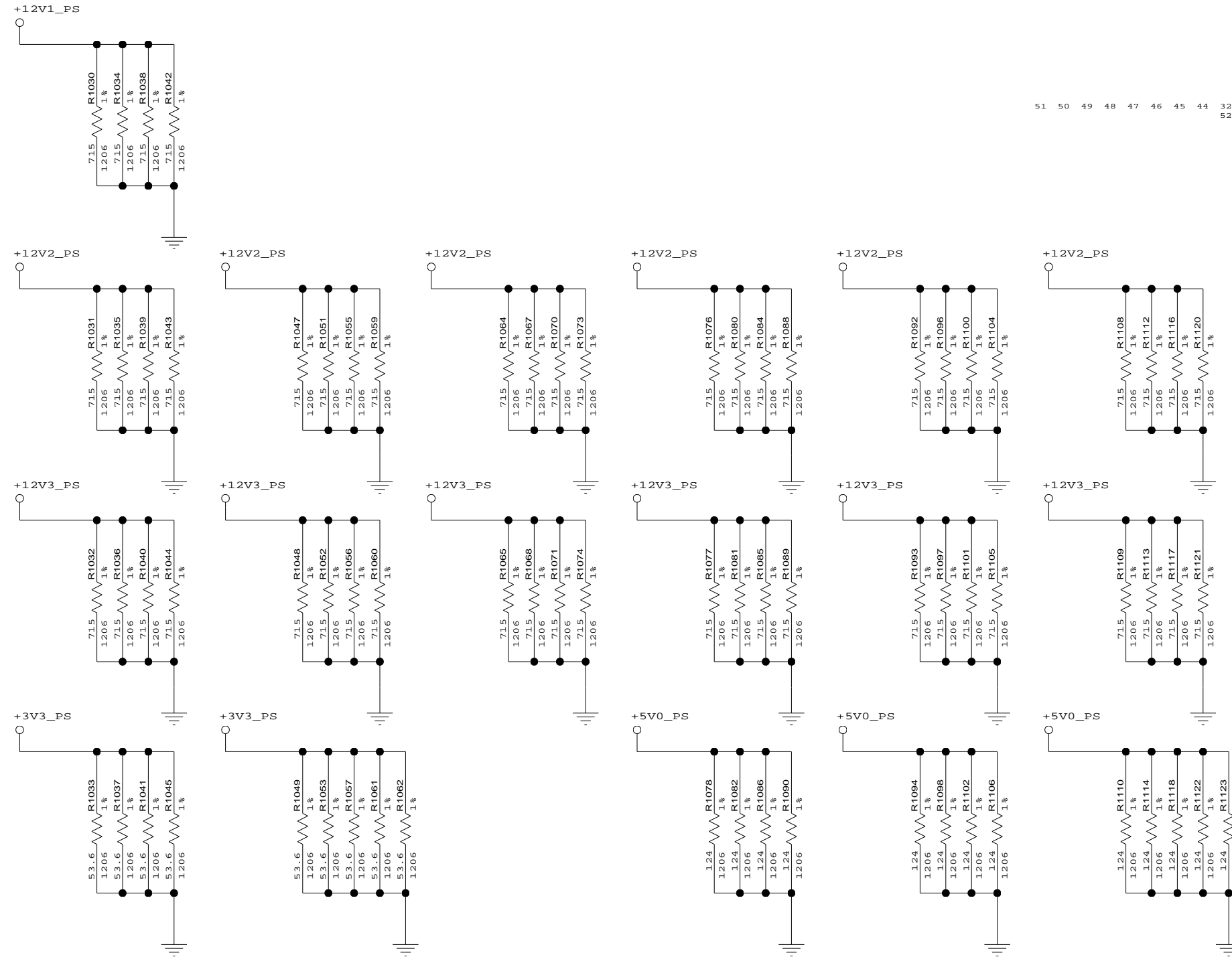
AUTHOR Tony Tran	CHECKED BY Derek Huang
---------------------	---------------------------

Thu Jul 01 15:01:04 2010

SHEET 40 OF 52

MINIMUM POWER SUPPLY LOADS

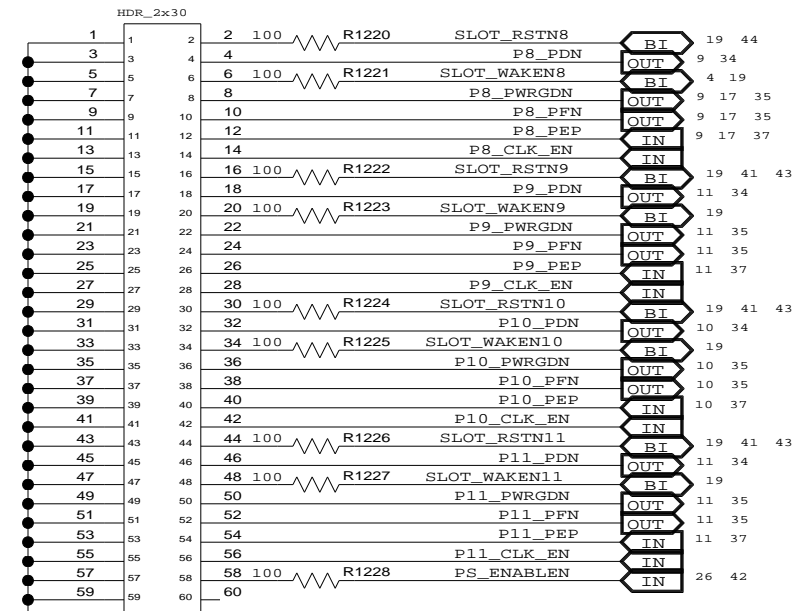
NOTE: DNP JUMPERS WHEN IOEXPANDER IS ENABLED



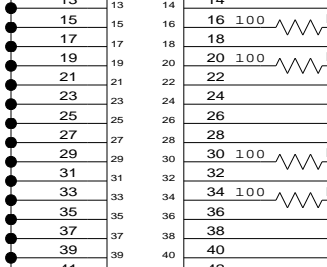
TITLE EB-LOGAN-23			
MIN LOAD RESISTORS			
SIZE	DRAWING NO.	FAB P/N	REV.
B	SCH-PESEB-001	18-691-001	2.0
AUTHOR		CHECKED BY	
Tony Tran		Derek Huang	
Thu Jul 01 15:01:04 2010			SHEET 41 OF 52

SLOT_RESETN
CARD_PRESENTN
WAKEN
POWERGOOD
PWR_FLTN
PWR_ENABLE
CLOCK_ENABLEN

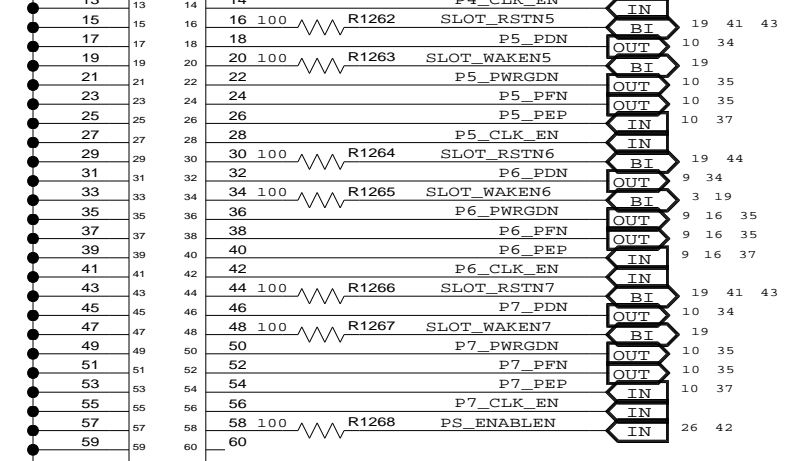
PS_ENABLEN
CABLE SENSE



PORTS 8,9,10,11



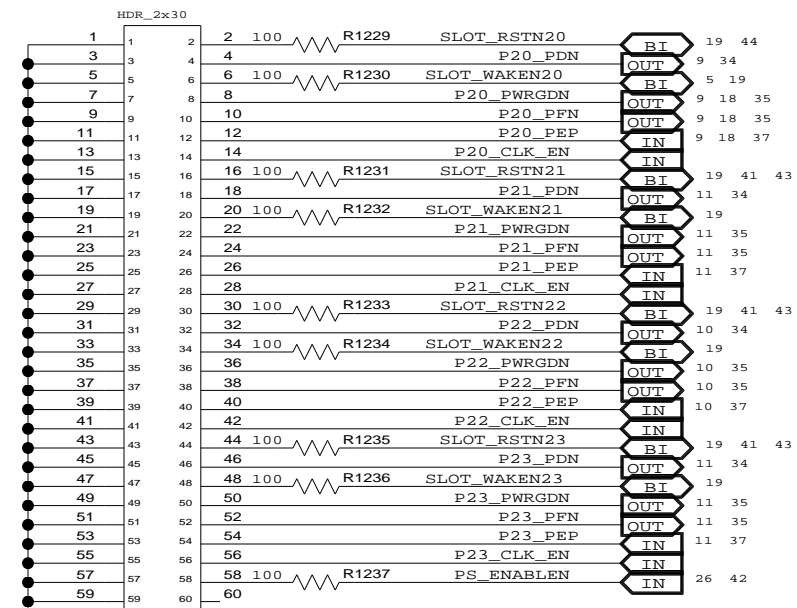
PORTS 12,13,14,15



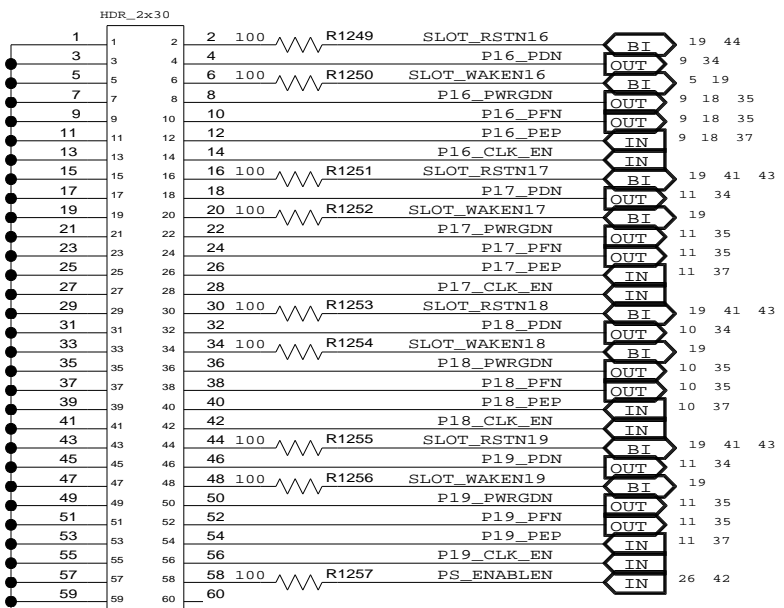
PORTS 4,5,6,7

SLOT_RESETN
CARD_PRESENTN
WAKEN
POWERGOOD
PWR_FLTN
PWR_ENABLE
CLOCK_ENABLEN

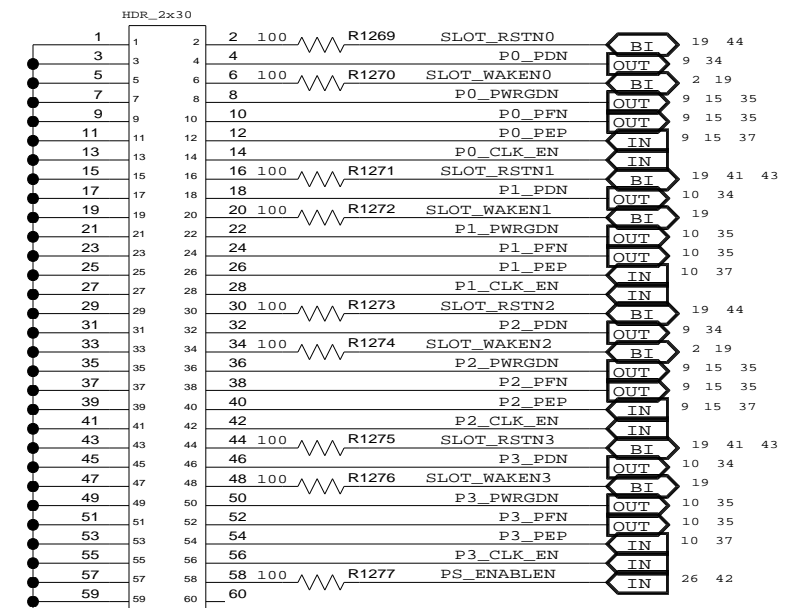
PS_ENABLEN
CABLE SENSE



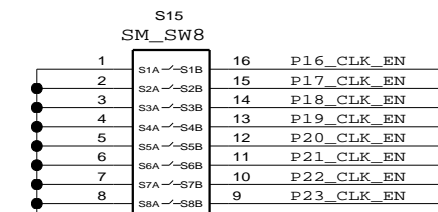
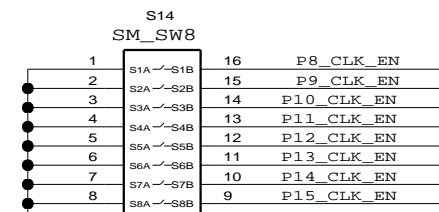
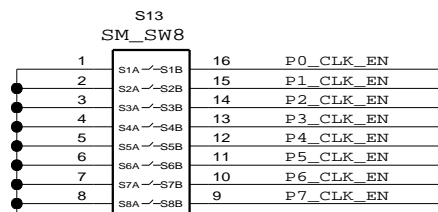
PORTS 20,21,22,23



PORTS 16,17,18,19

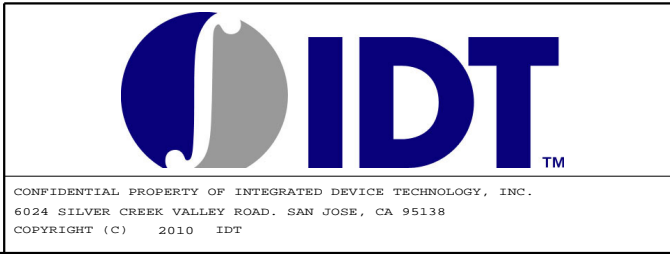
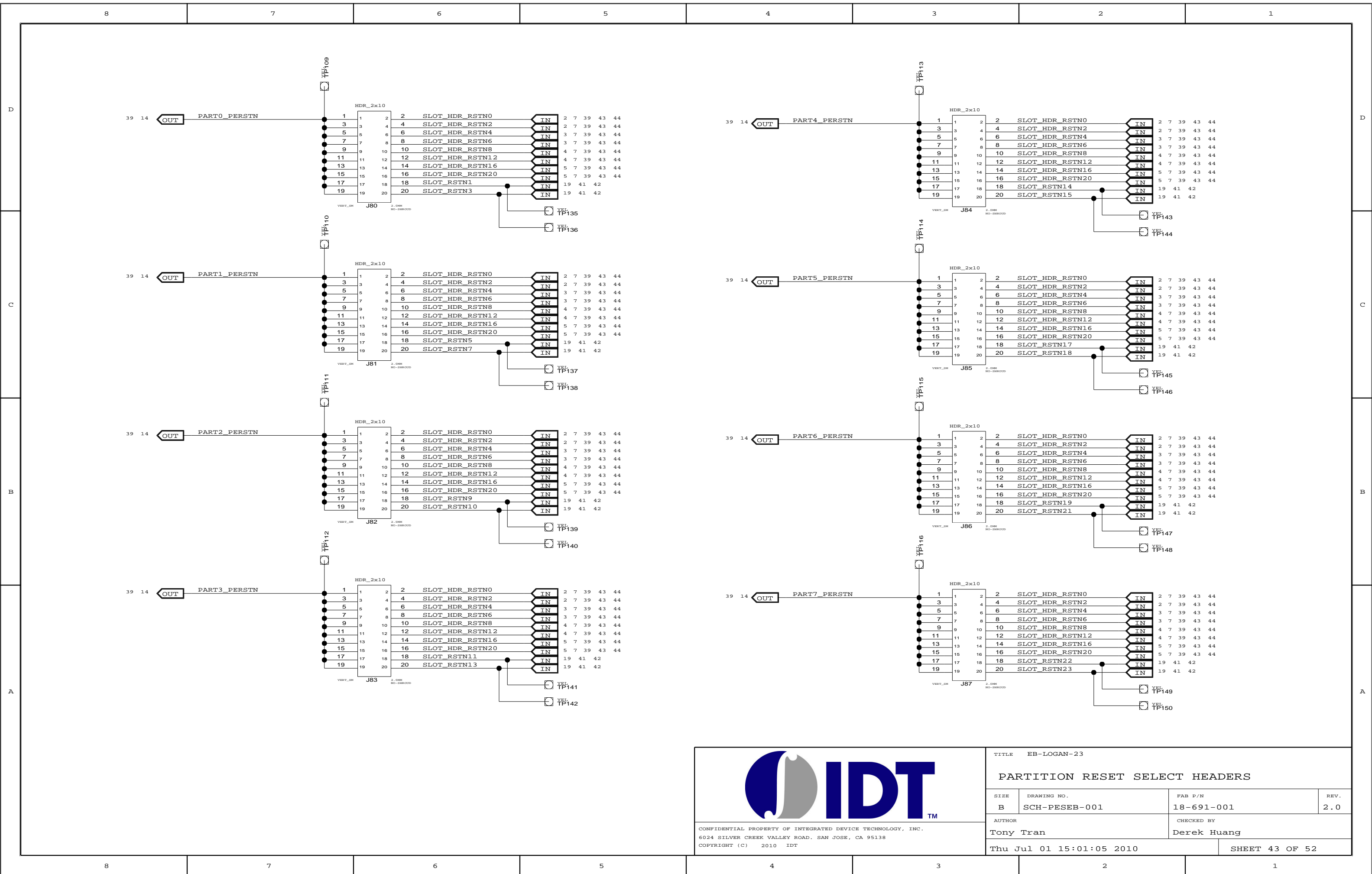


PORTS 0,1,2,3

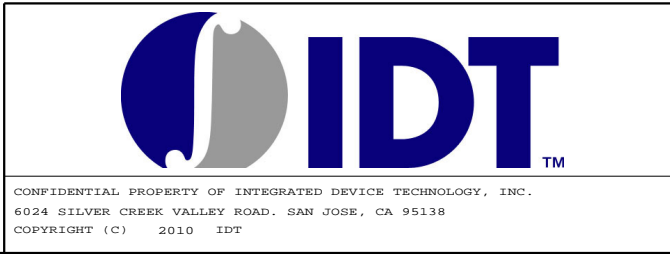
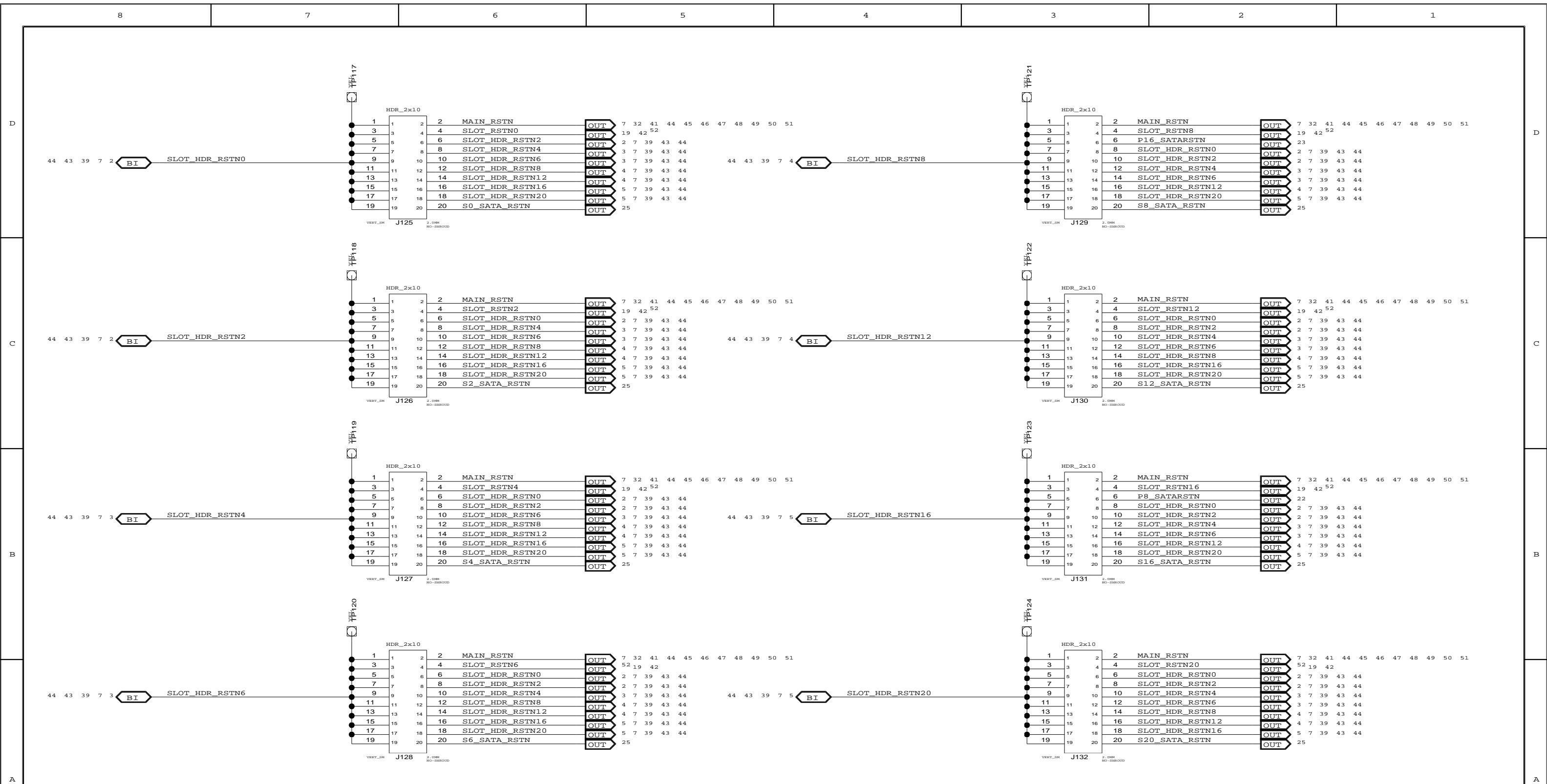


CONFIDENTIAL PROPERTY OF INTEGRATED DEVICE TECHNOLOGY, INC.
6024 SILVER CREEK VALLEY ROAD, SAN JOSE, CA 95138
COPYRIGHT (C) 2010 IDT

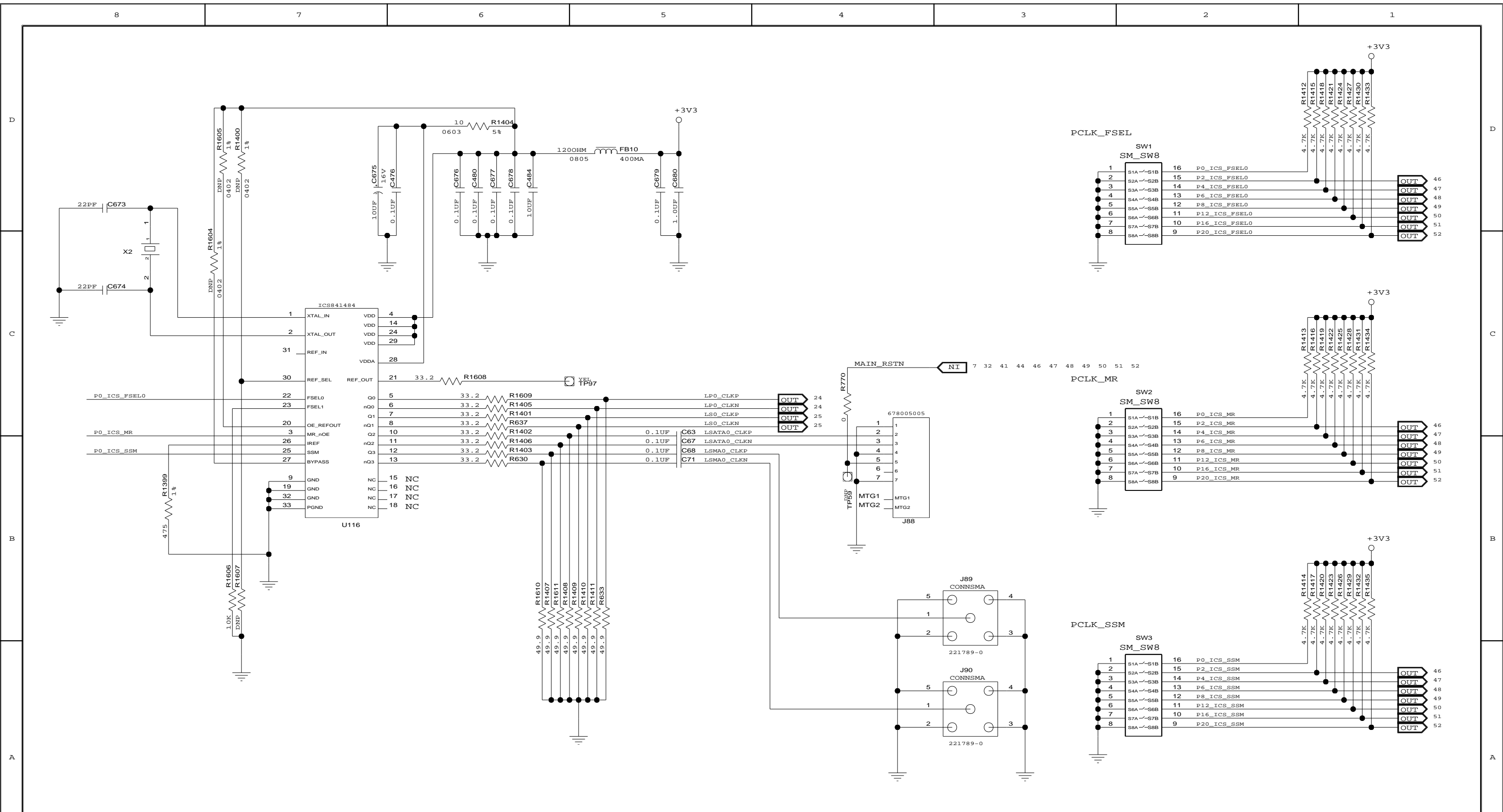
TITLE EB-LOGAN-23			
SIDEBAND CONNECTORS			
SIZE B	DRAWING NO. SCH-PESEB-001	FAB P/N 18-691-001	REV. 2.0
AUTHOR Tony Tran		CHECKED BY Derek Huang	
Thu Jul 01 15:01:04 2010			SHEET 42 OF 52




TITLE EB-LOGAN-23			
PARTITION RESET SELECT HEADERS			
SIZE	DRAWING NO.	FAB P/N	REV.
B	SCH-PESEB-001	18-691-001	2.0
AUTHOR		CHECKED BY	
Tony Tran		Derek Huang	
Thu Jul 01 15:01:05 2010			SHEET 43 OF 52



TITLE EB-LOGAN-23			
SLOT RESET SELECT HEADERS			
SIZE	DRAWING NO.	FAB P/N	REV.
B	SCH-PESEB-001	18-691-001	2.0
AUTHOR		CHECKED BY	
Tony Tran		Derek Huang	
Thu Jul 01 15:01:05 2010			SHEET 44 OF 52



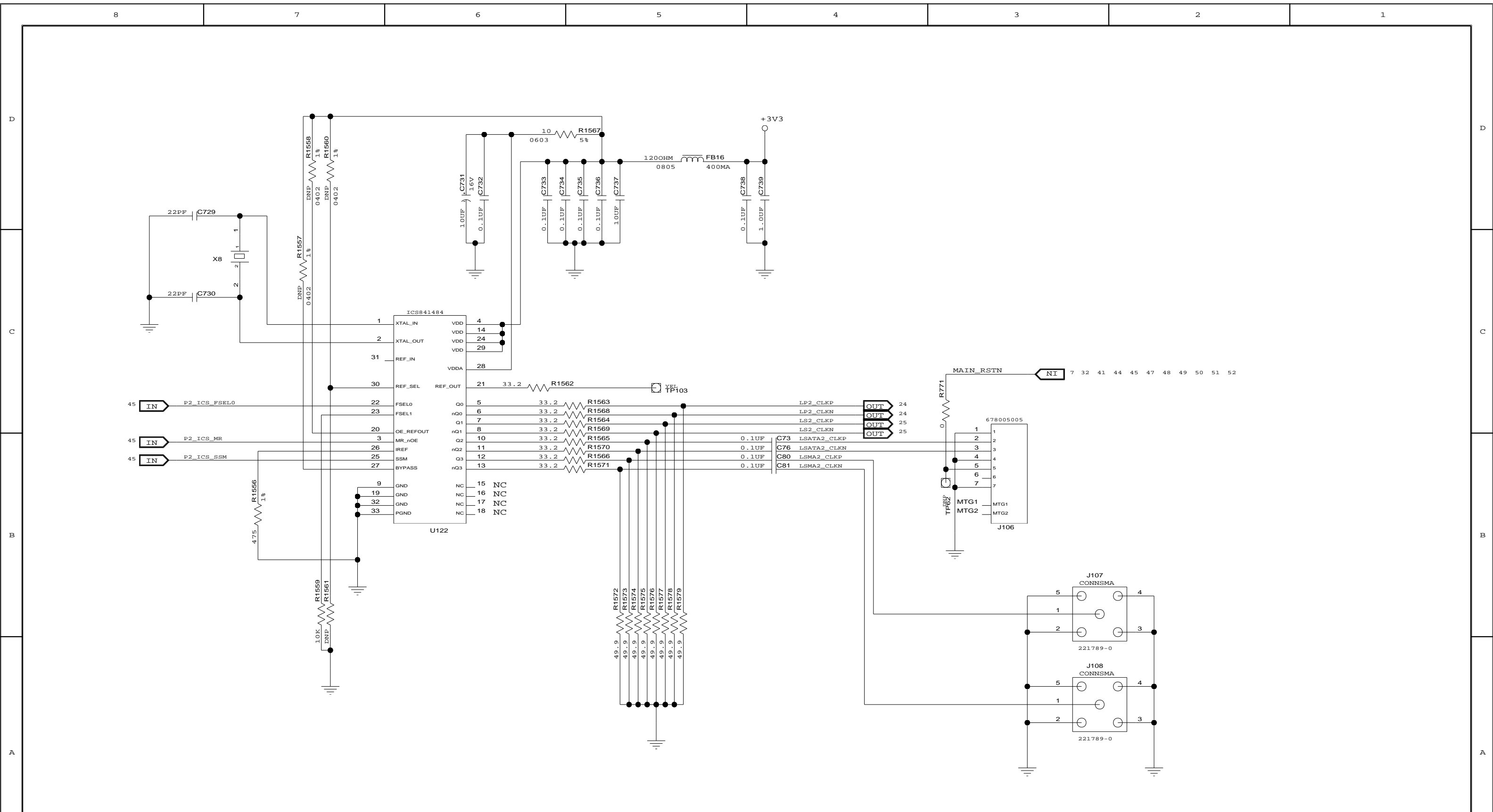



CONFIDENTIAL PROPERTY OF INTEGRATED DEVICE TECHNOLOGY, INC.
6024 SILVER CREEK VALLEY ROAD, SAN JOSE, CA 95138
COPYRIGHT (C) 2010 IDT

TITLE EB-LOGAN-23

PORT 0 CLOCK GENERATOR

SIZE	DRAWING NO.	FAB P/N	REV.
B	SCH-PESEB-001	18-691-001	2.0
AUTHOR Tony Tran		CHECKED BY Derek Huang	
Thu Jul 01 15:01:05 2010			SHEET 45 OF 52



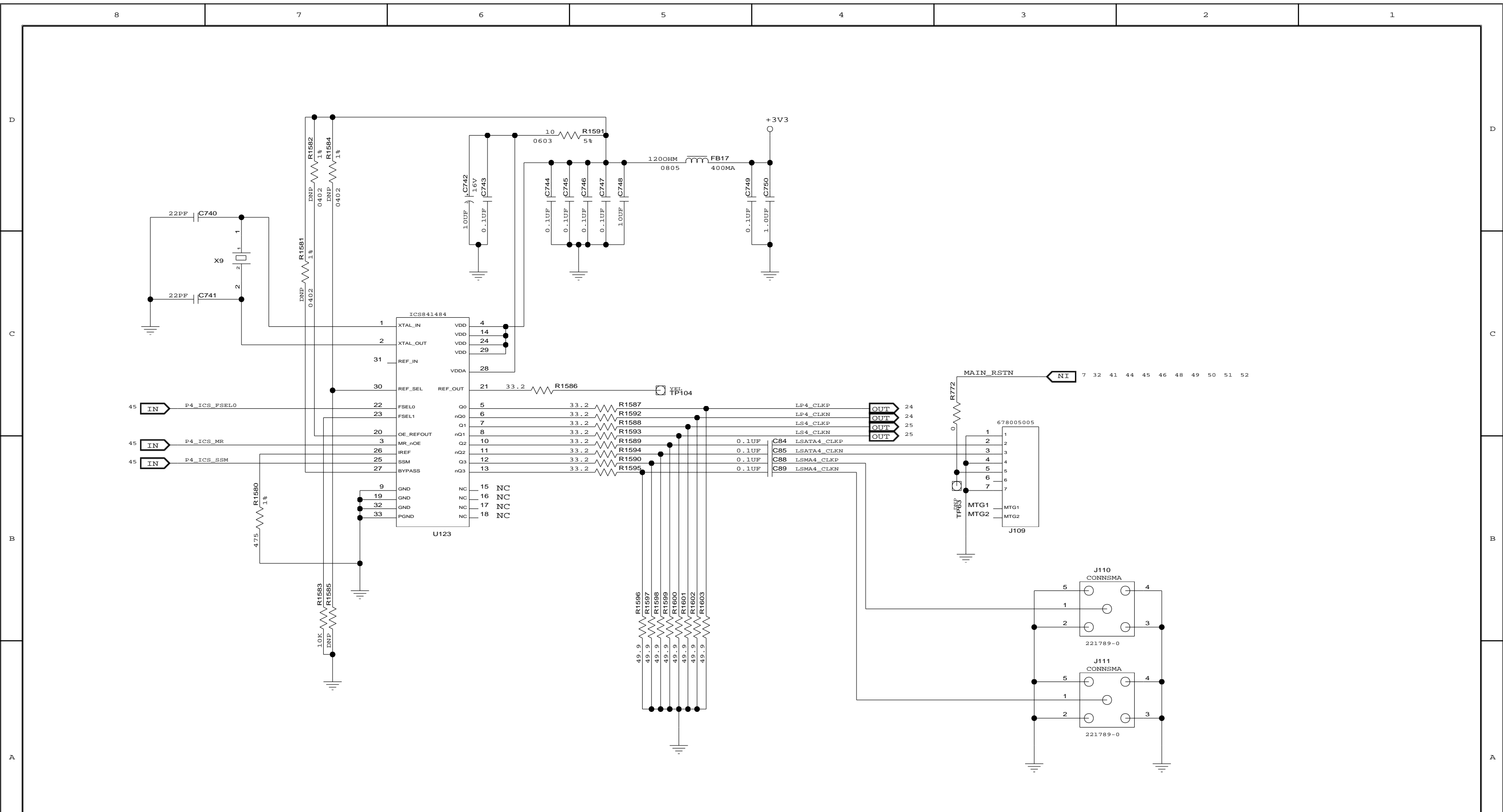



CONFIDENTIAL PROPERTY OF INTEGRATED DEVICE TECHNOLOGY, INC.
6024 SILVER CREEK VALLEY ROAD. SAN JOSE, CA 95138
COPYRIGHT (C) 2010 IDT

TITLE EB-LOGAN-23

PORT 2 CLOCK GENERATOR

SIZE	DRAWING NO.	FAB P/N	REV.
B	SCH-PESEB-001	18-691-001	2.0
AUTHOR Tony Tran		CHECKED BY Derek Huang	
Thu Jul 01 15:01:06 2010			SHEET 46 OF 52



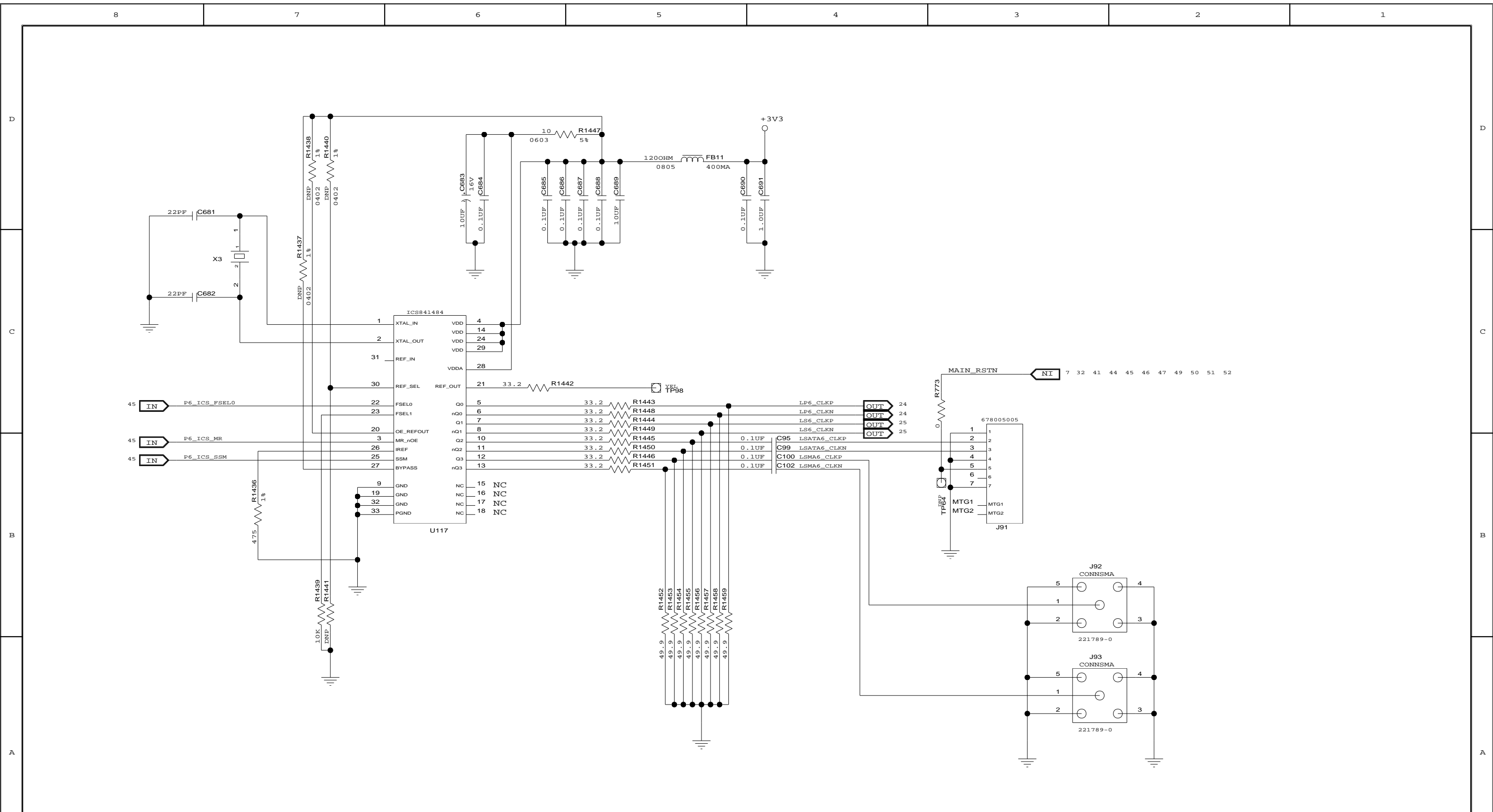



CONFIDENTIAL PROPERTY OF INTEGRATED DEVICE TECHNOLOGY, INC.
6024 SILVER CREEK VALLEY ROAD, SAN JOSE, CA 95138
COPYRIGHT (C) 2010 IDT

TITLE EB-LOGAN-23

PORT 4 CLOCK GENERATOR

SIZE	DRAWING NO.	FAB P/N	REV.
B	SCH-PESEB-001	18-691-001	2.0
AUTHOR		CHECKED BY	
Tony Tran		Derek Huang	
Thu Jul 01 15:01:06 2010			SHEET 47 OF 52



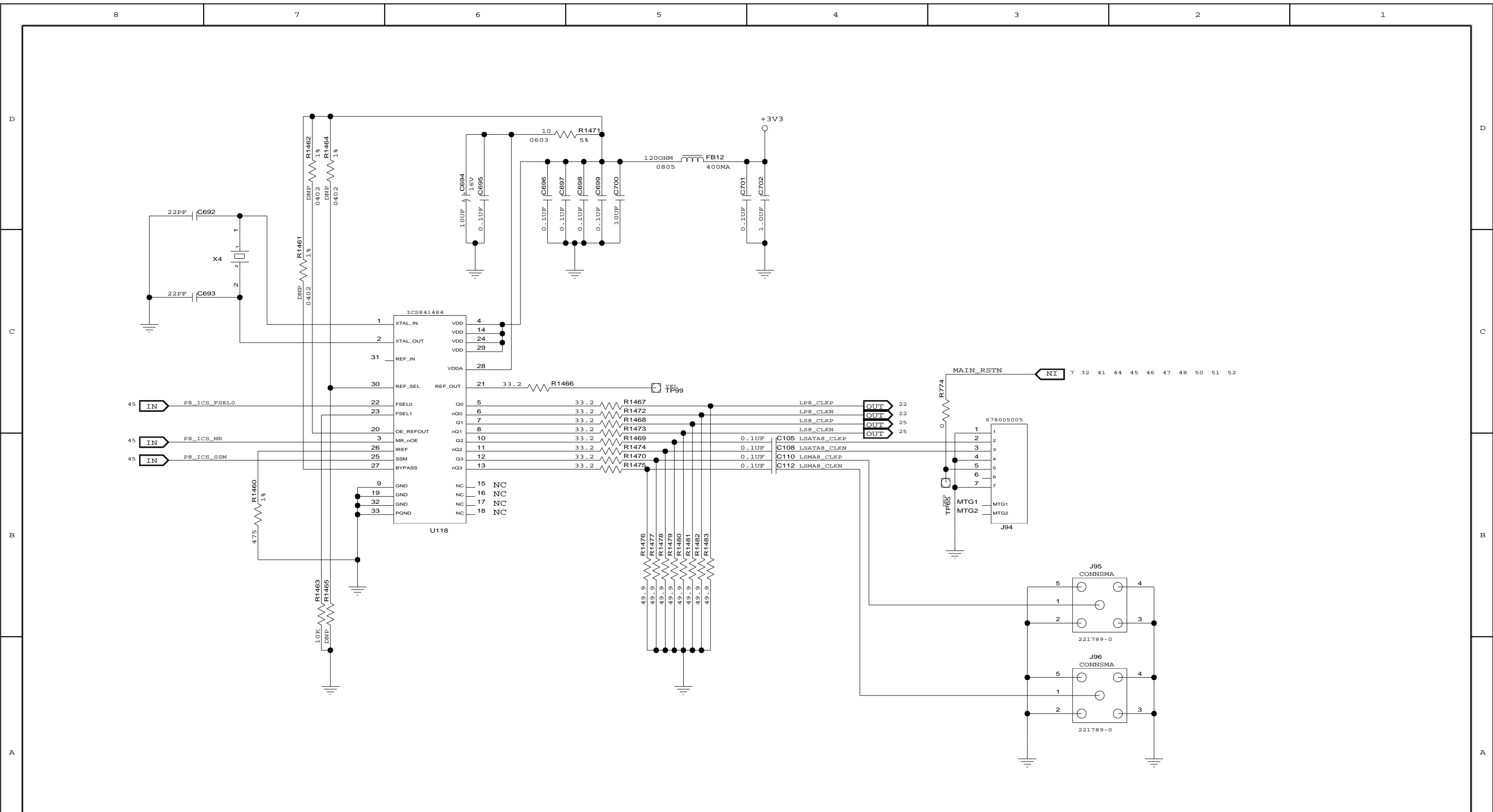



CONFIDENTIAL PROPERTY OF INTEGRATED DEVICE TECHNOLOGY, INC.
6024 SILVER CREEK VALLEY ROAD, SAN JOSE, CA 95138
COPYRIGHT (C) 2010 IDT

TITLE EB-LOGAN-23

PORT 6 CLOCK GENERATOR

SIZE	DRAWING NO.	FAB P/N	REV.
B	SCH-PESEB-001	18-691-001	2.0
AUTHOR		CHECKED BY	
Tony Tran		Derek Huang	
Thu Jul 01 15:01:06 2010			SHEET 48 OF 52



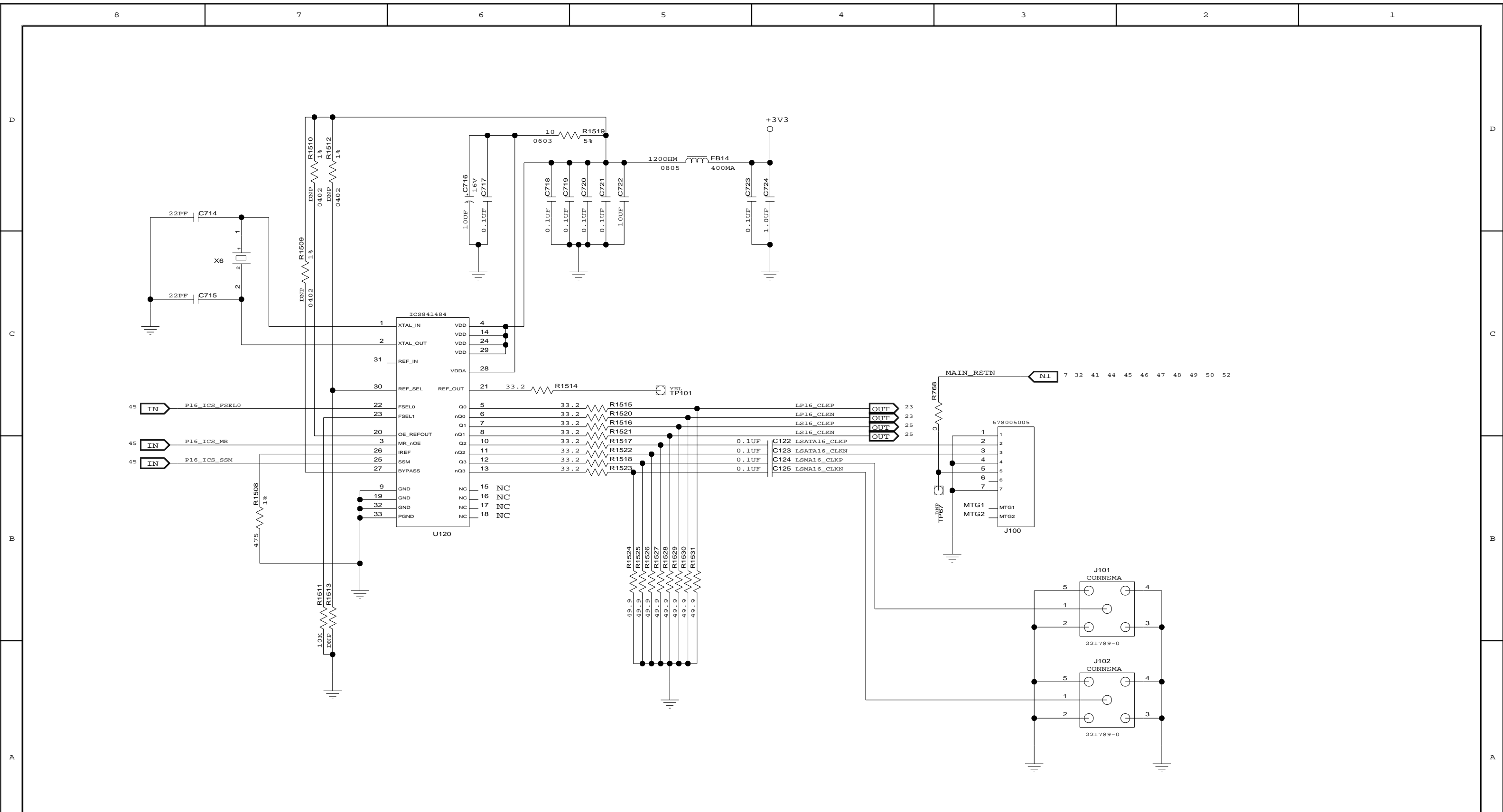



CONFIDENTIAL PROPERTY OF INTEGRATED DEVICE TECHNOLOGY, INC.
6024 SILVER CREEK VALLEY ROAD, SAN JOSE, CA 95138
COPYRIGHT (C) 2010 IDT

TITLE EB-LOGAN-23

PORT 8 CLOCK GENERATOR

SIZE	DRAWING NO.	FAB P/N	REV.
B	SCH-PESEB-001	18-691-001	2.0
AUTHOR		CHECKED BY	
Tony Tran		Derek Huang	
Thu Jul 01 15:01:06 2010			SHEET 49 OF 52



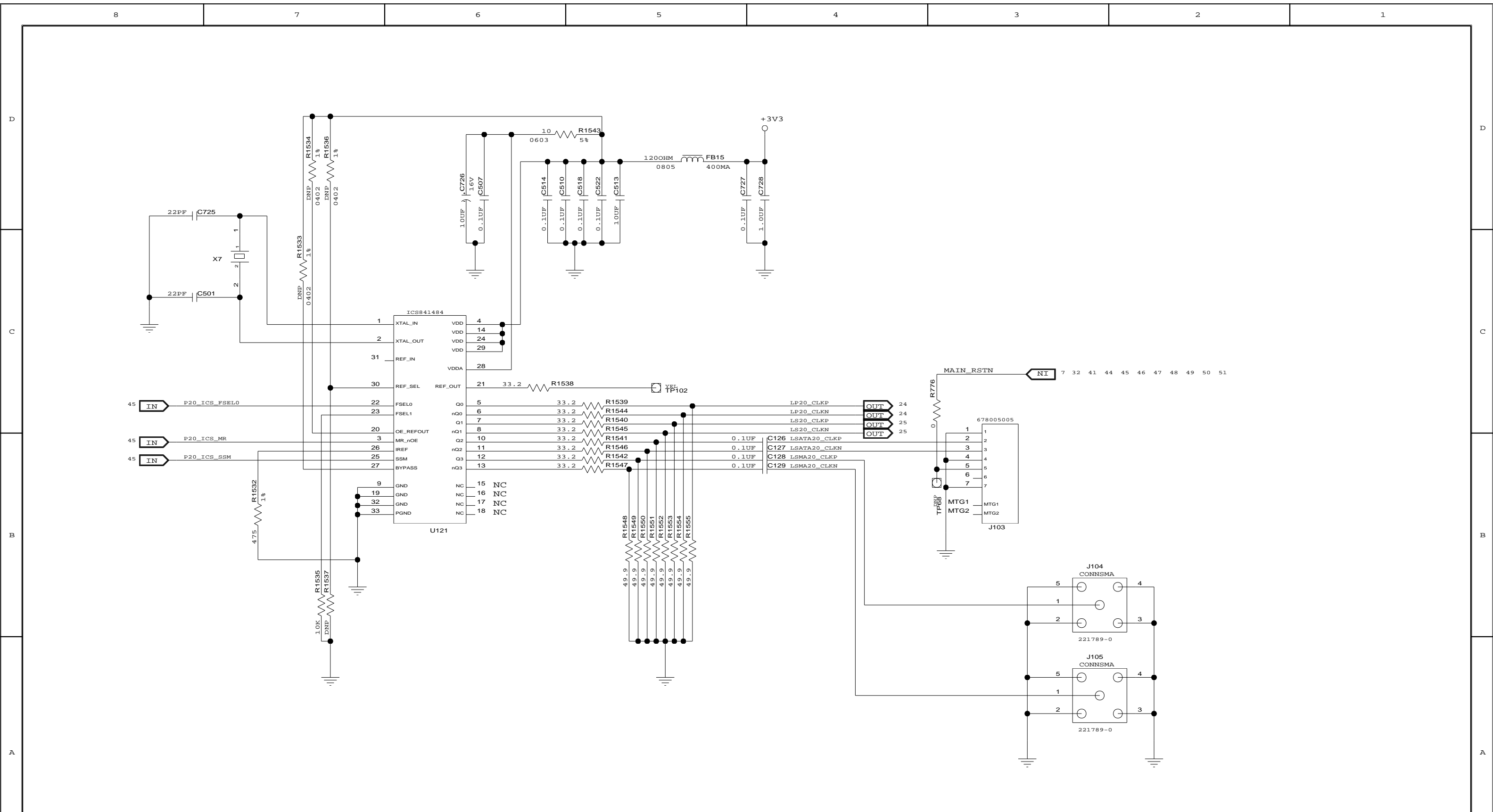



CONFIDENTIAL PROPERTY OF INTEGRATED DEVICE TECHNOLOGY, INC.
6024 SILVER CREEK VALLEY ROAD. SAN JOSE, CA 95138
COPYRIGHT (C) 2010 IDT

TITLE EB-LOGAN-23

PORT 16 CLOCK GENERATOR

SIZE	DRAWING NO.	FAB P/N	REV.
B	SCH-PESEB-001	18-691-001	2.0
AUTHOR		CHECKED BY	
Tony Tran		Derek Huang	
Thu Jul 01 15:01:07 2010			SHEET 51 OF 52





CONFIDENTIAL PROPERTY OF INTEGRATED DEVICE TECHNOLOGY, INC.
6024 SILVER CREEK VALLEY ROAD. SAN JOSE, CA 95138
COPYRIGHT (C) 2010 IDT

TITLE EB-LOGAN-23

PORT 20 CLOCK GENERATOR

SIZE	DRAWING NO.	FAB P/N	REV.
B	SCH-PESEB-001	18-691-001	2.0
AUTHOR		CHECKED BY	
Tony Tran		Derek Huang	
Thu Jul 01 15:01:07 2010			SHEET 52 OF 52