

GR-ROSE(Renesas RX65N) Circuit schematic 【 X65A-M01-C 】

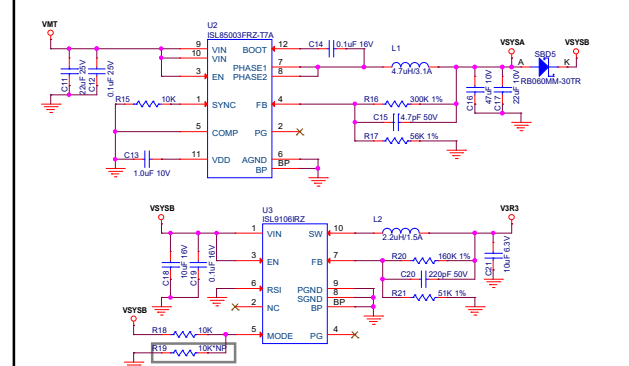
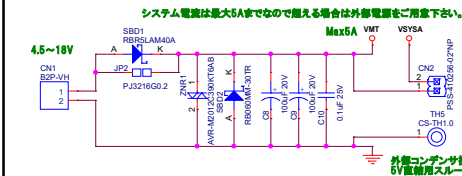
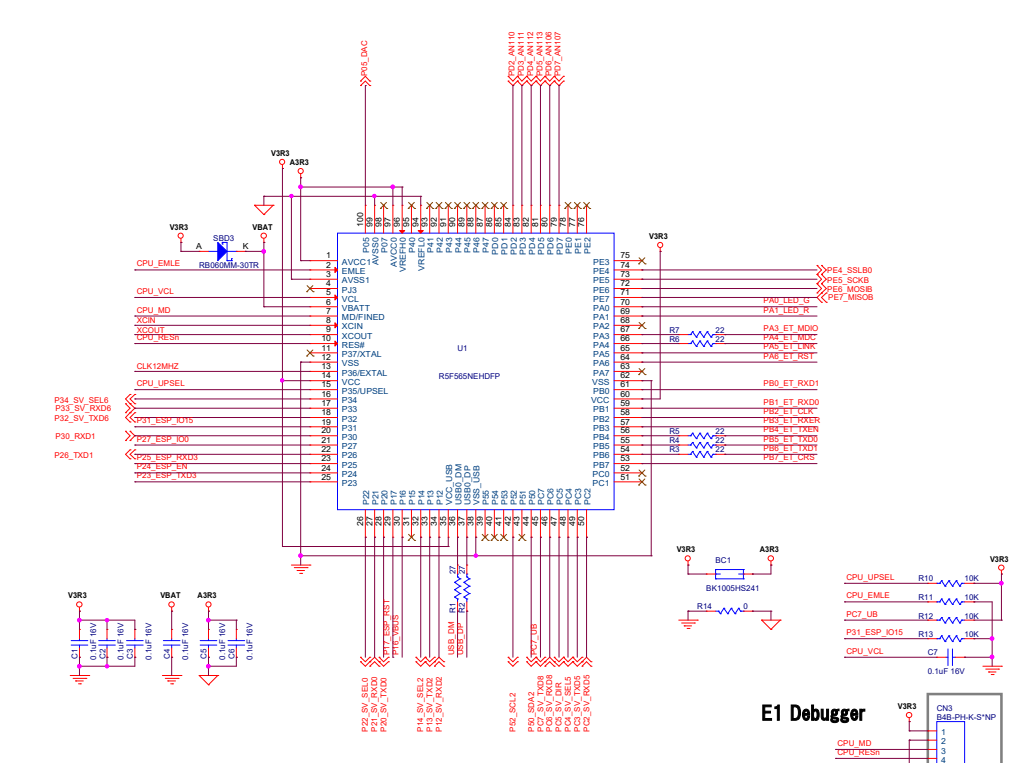
Released under the Creative Commons Attribution Share-Alike 3.0 License
<http://creativecommons.org/licenses/by-sa/3.0>

GR-ROSE Design by Core Corporation

Core Co.Ltd.,

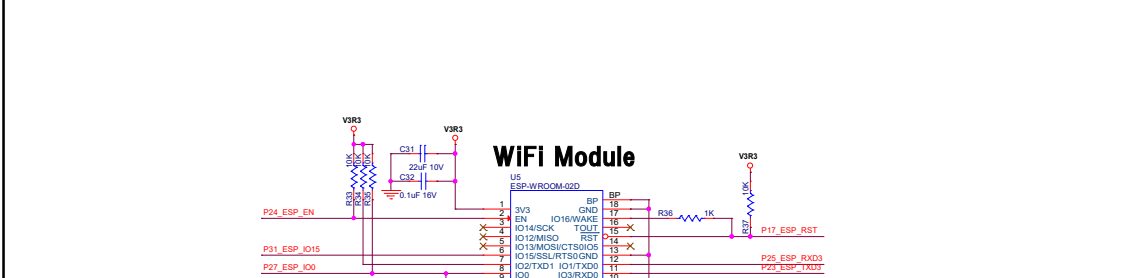
File	GR-ROSE(RX65N) Board Circuit	
Size	Document Number	Rev
	X65A-M01-C	0
Date	Monday, March 11, 2013	Sheet 1 of 3

SHT.2 MCU / WiFi / Ether / Power Block

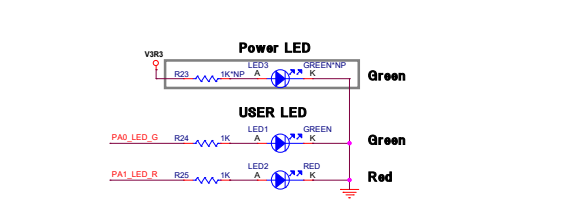
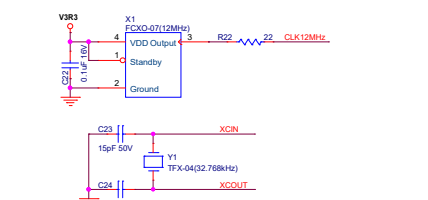


Power Connector

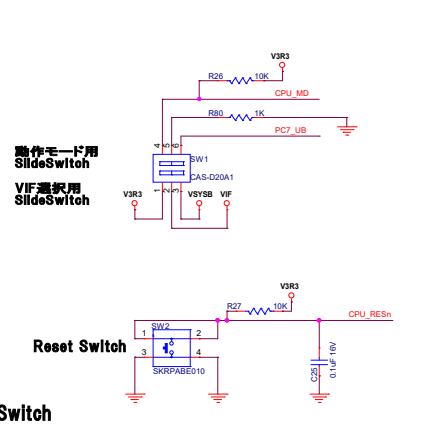
Power



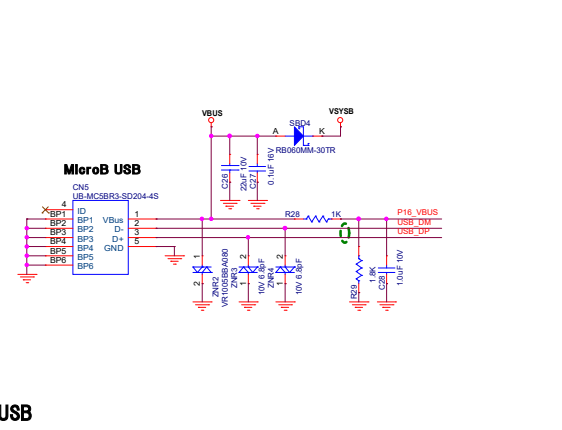
MCU



Clock



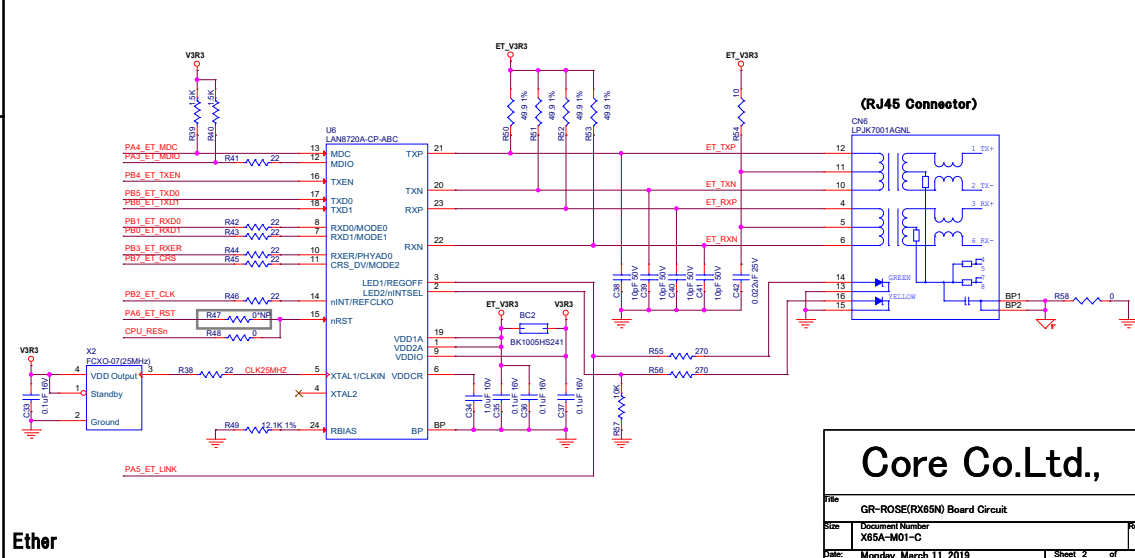
LED



Switch

USB

Wi-Fi Module



Ether

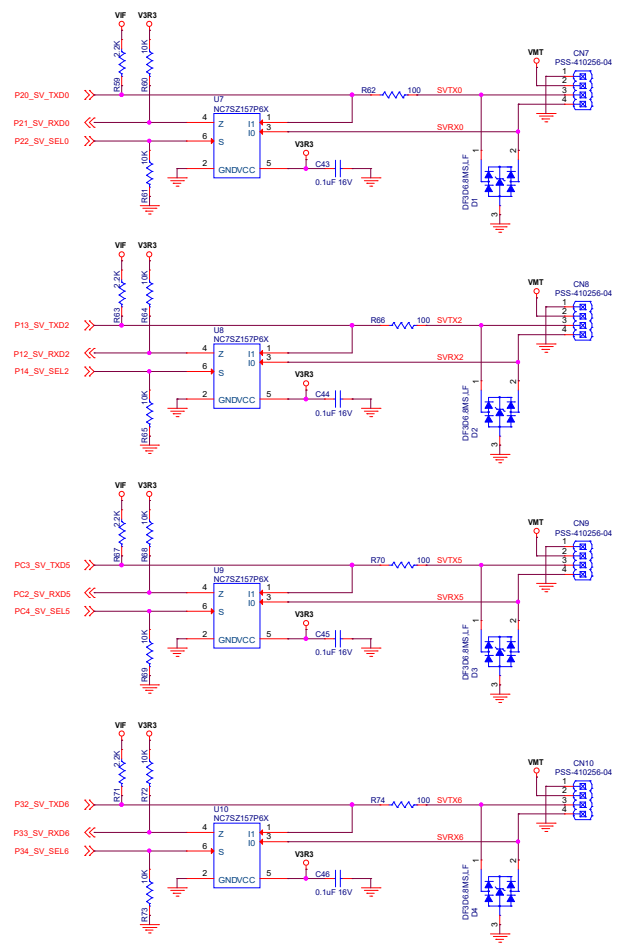
Core Co.Ltd.,

File: GR-ROSE(RX65N) Board Circuit

Size: Document Number: X65A-M01-C Rev: 0

Date: Monday, March 11 2019 Sheet: 2 of 8

SHT.3 Serial Servo(TTL / RS485) / PMOD / ADC / DAC Block



VMTは最大3A

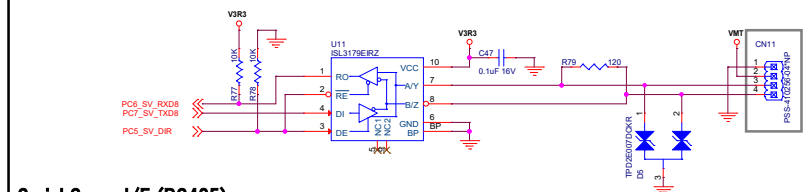
VMTは最大3A

VMTは最大3A

VMTは最大3A

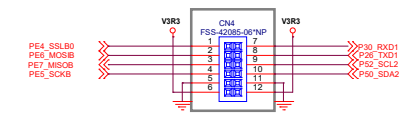
CN7~CN11の各コネクタは仕様上Max3Aまでになります。
システムとしては合計5Aに収まるようご注意ください。
5A以上必要な場合は外部に電源をご用意下さい。

Serial Servo I/F (TTL)

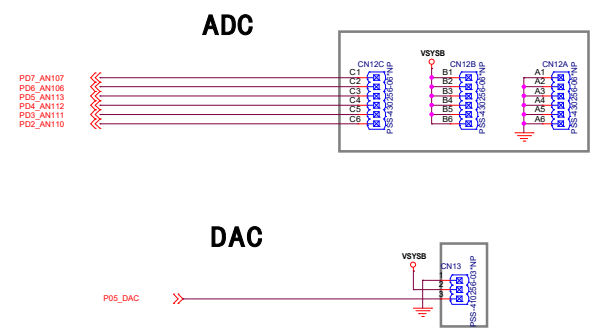


VMTは最大3A

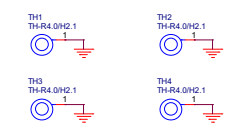
Serial Servo I/F (RS485)



PMOD



ADC / DAC



Hole

Core Co.Ltd.,

File: GR-ROSE(RX65N) Board Circuit
 Size: Document Number X65A-M01-C Rev 0
 Date: Monday, March 11, 2019 Sheet 3 of 8