

RH850 Evaluation Platform

RH850/E2x-373BGA PiggyBack Board T2 Y-RH850-E2X-373PIN-PB-T2-V2

All information contained in these materials, including products and product specifications, represents information on the product at the time of publication and is subject to change by Renesas Electronics Corp. without notice. Please review the latest information published by Renesas Electronics Corp. through various means, including the Renesas Technology Corp. website (<http://www.renesas.com>).

The newest version of this document can be obtained from the following web location:
<http://www.renesas.eu/updates?oc=Y-RH850-E2X-373PIN-PB-T2-V2#documentInfo>

Table of Contents

Chapter 1	Introduction	3
Chapter 2	Overview	4
2.1	Overview of Y-RH850-E2X-373PIN-PB-T2-V2	4
2.2	Mounting of the Emulation Adapter Board.....	5
Chapter 3	Power supply	6
3.1	Board power connection	6
3.2	Voltage distribution.....	7
Chapter 4	Clock sources.....	9
4.1	MainOsc	9
4.2	Programmable Oscillator.....	9
Chapter 5	Debug and Programming interface	10
5.1	14 Pin Debug Connector	10
5.2	34 Pin Aurora Connector	10
Chapter 6	Connectors for ports of device.....	12
6.1	Push button for RESET	12
6.2	Mode Selection	12
6.3	Connectors to Mainboard	12
6.3.1	Assignment of CAN Pins	12
6.4	RHSIF I/F	13
6.5	HS-SPI I/F	13
6.6	RHSB I/F	14
Chapter 7	Other circuitry.....	15
7.1	Signalling for ERROROUT_M	15
7.2	Pin Headers for Pull-Down and Pull-Up.....	15
7.3	Signalling LEDs	15
Chapter 8	Jumper Configuration	16
Chapter 9	Precautions.....	18
9.1	Power-Off Sequence	18
Chapter 10	Mechanical dimensions	19
Chapter 11	Schematic	20
Chapter 12	Revision History	26

Chapter 1 Introduction

The RH850/E2x Application Board is part of the RH850 Evaluation Platform and serves as a simple and easy to use platform for evaluating the features and performance of Renesas Electronics 32-bit RH850/E2x microcontrollers. RH850/E2x microcontrollers in a BGA-373 package can be used together with this board by utilizing the separately available mount adapter (Y-LSPACK373A2521RE01). Main purpose of this board is to mount the separately available emulation adapter board (Y-RH850-E2X-40NM-EMU-ADAPTER) via the exchange adapter board (Y-RH850-E2X-EA-373PIN).

The PiggyBack board (Y-RH850-E2X-373PIN-PB-T2 –V2) can be used as a standalone board, or can be mated with a mainboard (Y-RH850-X1X-MB-Tx-Vx) for extended functionality.

Main features:

- Target connector socket
- Standalone operation of the board
- Direct supply of device voltage (typ. 5V, 3.3V and 1.25V) enabling single power supply and dual power supply
- Device programming capability
- Device debugging capability
- Pin headers for direct access to each functional device pin
- Reset switch
- MainOSC circuitry
- Connectors to Mainboard
- Operating temperature from 0°C to +40°C

This document describes the functionality provided by the PiggyBack board and guides the user through its operation.

For details regarding the operation of the microcontroller, refer to the corresponding User's Manual.

Chapter 2 Overview

2.1 Overview of Y-RH850-E2X-373PIN-PB-T2-V2

Figures 1 and 2 provide a schematic view of the Y-RH850-E2X-373PIN-PB-T2-V2 PiggyBack board.

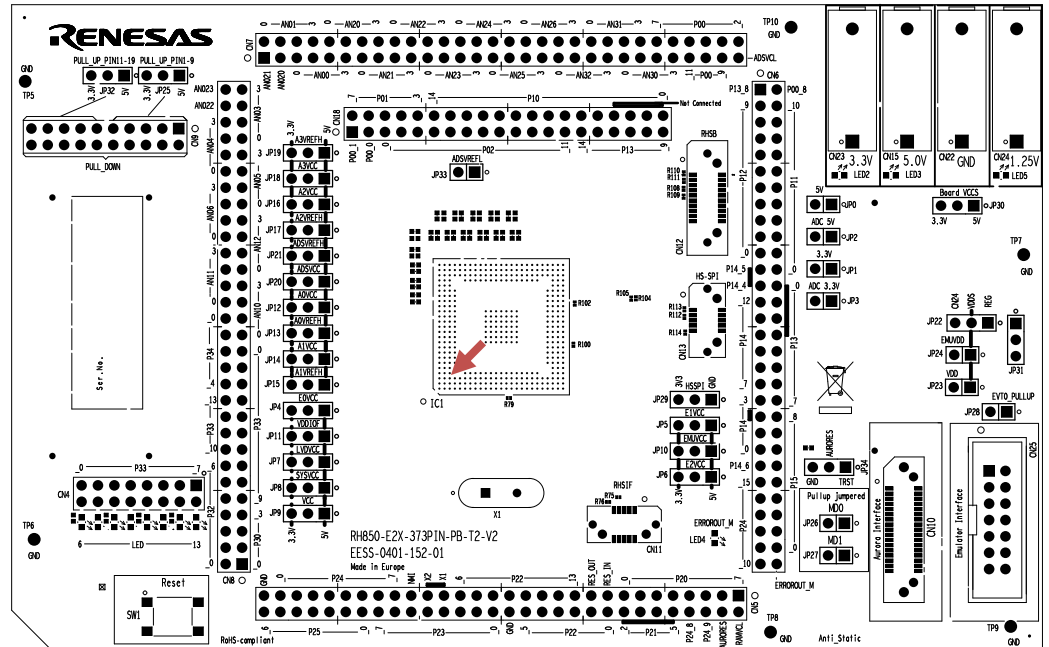


Figure 1 PiggyBack Board Top View

The red arrow denotes the position of socket pin #1.

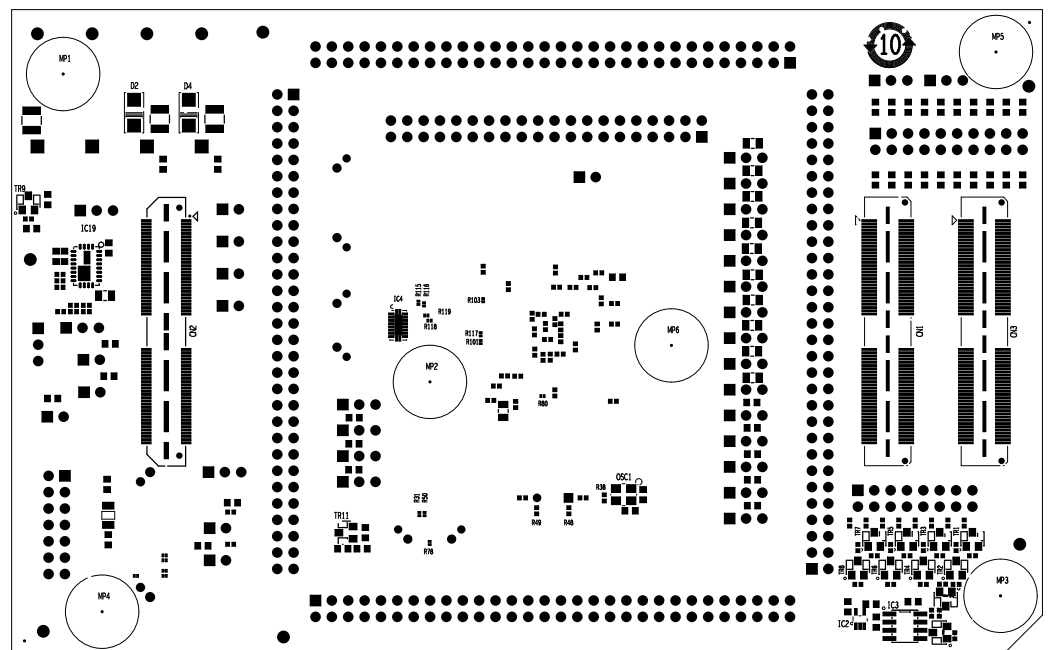


Figure 2 PiggyBack Board Bottom View

Chapter 3 Power supply

3.1 Board power connection

For operation of the device, a supply voltage must be connected to the board. There are several possibilities to power the device.

Within this document the following voltages are considered as 'typical' values:

Voltage1 = 5V

Voltage2 = 3.3V

Voltage3 = 1.25V

Direct voltage supply

Three different voltages can be supplied to the board.

The following connectors are available to supply those voltages directly:

- Four 4mm 'banana-type' connectors:
 - Three red connectors for voltages 5V (CN15), 3.3V (CN23) and 1.25V (CN24).
 - A black connector for ground (GND) connection (CN22).**Note:** The four connectors are supplied with the board but not assembled.

For details about voltage distribution, refer to **Chapter 3.2 'Voltage distribution'**.

Supply by Mainboard

In case the PiggyBack board is mounted on a Mainboard, the 5V and 3.3V is supplied by the on-board regulator of the Mainboard.

CAUTION: Do not supply 5V or 3.3V directly to the PiggyBack board in case it is mounted on the Mainboard.

For each of the voltages, 5V, 3.3V and 1.25V a green LED (LED3, LED2 and LED5, respectively) is available to signal that the related voltage is available on the PiggyBack board. The corresponding LEDs are placed directly beneath the connectors of the related voltage.

3.2 Voltage distribution

The table shows the required device power supply pins and their function. For detailed explanation of their function and specification, please refer to the user documentation of the corresponding device:

Table 1 Available Power Domains for MCU

Device Supply Pin
SYSVCC
VCC
EnVCC (n = 0-2)
LVDVCC
EMUVCC
AnVCC (n = 0-3)
AnVREFH (n = 0-3)
ADSVCC
ADSVREFH
EMUVDD
VDD

Additional power supply for the Mainboard and the operation of the PiggyBack board can be selected:

Table 2 Available Power Domains for Board Operation

Supply voltage	Function
VDDIOF	IO supply voltage for components located on a connected mainboard.
Board_VCC	Source for all devices (e.g. voltage regulator) on the PiggyBack board

The following figure shows the configurable voltage distribution on the PiggyBack board.

- Jumpers can interrupt all power supply lines. This provides the possibility to measure the current consumption of each individual power domain of the device (JP4 – 10, JP12 – 21 and JP23 – 24).
- The IO supply voltage for the Mainboard (VDDIOF) can be connected via jumper JP11 to 5V or 3.3V, if the PiggyBack board is mounted on a Mainboard.
- VDD and EMUVDD can be powered either directly from the 'banana-type' connector (CN24) or by an on-board voltage regulator.
- The source for the on-board voltage regulator, as well as the source for all on-board devices (Board_VCC) needs to be configured via jumper JP30 to either 5V or 3.3V.
- The source for VDD is selectable by the jumper JP22. The jumper JP23 and JP24 connect the voltage, configured by JP22 with the VDD and EMUVDD pins.

Note: Although nominally 1.25V is used even as name in the schematic the output of the voltage regulator IC19 is slightly increased to 1.28V (see **Chapter 11 'Schematic'**). With this sufficient high voltage is applied, even in case of any possible voltage drops.

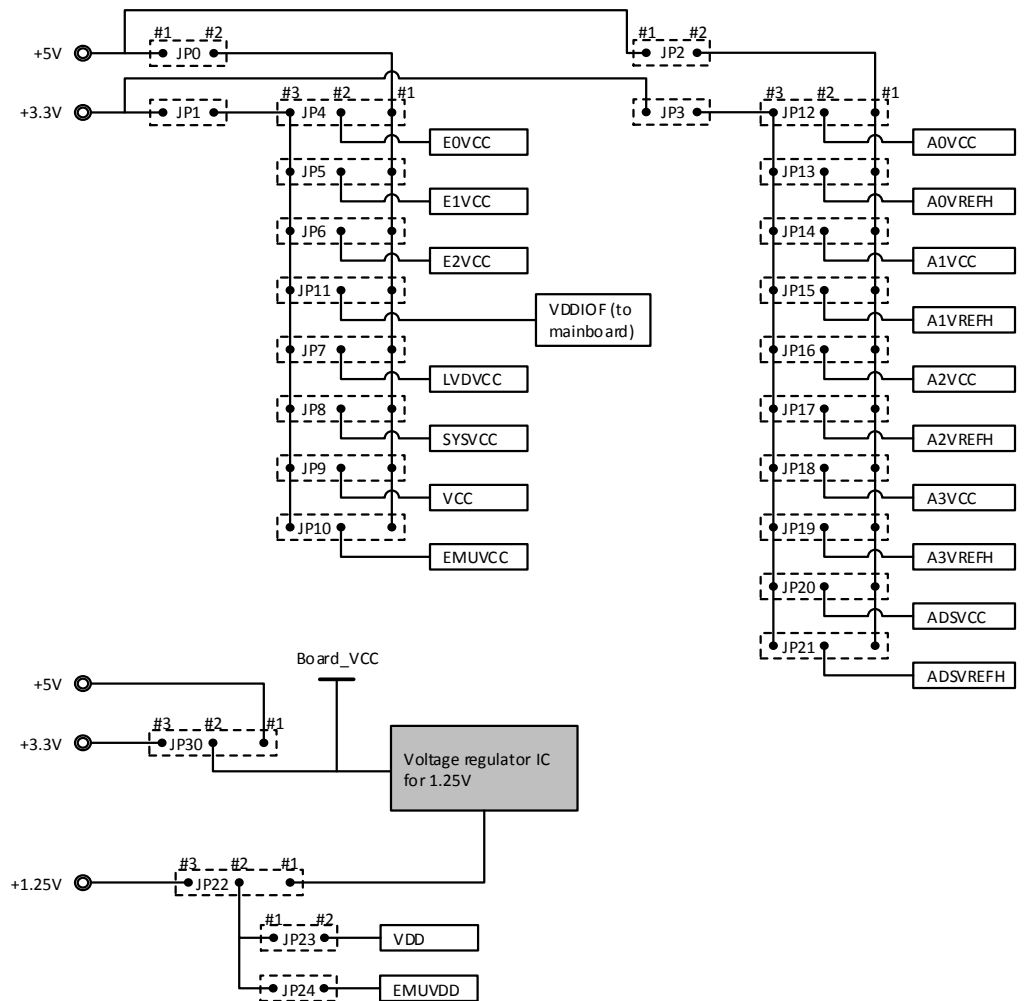


Figure 4 Voltage Distribution on the PiggyBack Board

For more details, please refer to **Chapter 11 'Schematic'**. For typical configuration of the jumpers, please refer to **Chapter 8 'Jumper Configuration'**.

Chapter 4 Clock sources

External crystal oscillators for the device clock supply are provided with the board.

4.1 MainOsc

A crystal or ceramic resonator can be mounted on socket X1.

A 20 MHz and 40MHz oscillator are supplied with the board.

The signals X1 and X2 are by default not connected to a pin header in order to minimize disturbance on the resonator signal. If needed the signals can be connected to CN5 (pins #37 and 39) via connecting with 0Ohm resistances R48 and R49. For details, please refer to **Chapter 11 'Schematic'**.

4.2 Programmable Oscillator

It is possible to mount a programmable crystal oscillator on the PiggyBack board at OSC1. The available footprint and circuitry is designed for a SG-8002CE programmable crystal oscillator from Epson Toyocom. The output from this oscillator can be connected to port X1 via resistor R38. The SG-8002CE is neither mounted nor provided with the board. For details about the available circuitry, refer to **Chapter 11 'Schematic'**. A resonator mounted on socket X1 must not be used in parallel to another clock source.

Chapter 5 Debug and Programming interface

The signal 'EVTO' from below connectors can be pulled up to 'E0VCC' via JP28. Please refer to the documentation of the used tool, whether this is needed.

The signal 'TRST' from below connectors can be pulled up to 'SYSVCC' or to the 'TRST' line of the used tool via jumper JP31.

For typical configuration of the jumpers, please refer to **Chapter 8 'Jumper Configuration'**.

5.1 14 Pin Debug Connector

For connection of the microcontroller to debug and flash programming tools, the connector CN25 with fourteen pins is available.

The signal connection of the connector CN25 is shown in the table below:

Table 3 Pin Assignment of CN25

CN25 Pin	Function
1	TCK
2	GND
3	JP31 #3
4	MD0
5	TDO
6	-
7	TDI
8	VCC
9	TMS
10	EVTO (P33_9)
11	DRDY
12	GND
13	RES_IN
14	GND

5.2 34 Pin Aurora Connector

For connection of the microcontroller to a trace tool CN10 is available.

The signal connection of the connector CN10 is shown in the table below:

Table 4 Pin Assignment of CN10

CN10 Pin	Function	CN10 Pin	Function
1	TODP0	2	VCC
3	TODN0	4	TCK

5	GND		6	TMS
7	Reserved (NC)		8	TDI
9	Reserved (NC)		10	TDO
11	GND		12	TRST
13	Reserved (NC)		14	MD0
15	Reserved (NC)		16	EVTI (P33_8)
17	GND		18	EVTO (P33_9)
19	Reserved (NC)		20	MD1
21	Reserved (NC)		22	RES_IN
23	GND		24	GND
25	Reserved*1		26	CICREFP
27	Reserved*1		28	CICREFN
29	GND		30	GND
31	Reserved*1		32	DRDY
33	Reserved*1		34	Reserved*1

Access to the signal AURORES is possible via JP34. With this jumper AURORES can also be connected to TRST or pulled-down to GND

Note 1: These pins can be connected to RES_OUT via resistors (R106-107, R120-122) if needed.

Chapter 6 Connectors for ports of device

Connection to most functional pins of the devices is possible via the connectors CN5 to CN8 and CN18.

Some functions might not be available on the pin headers, e.g. high frequency signals, as this would disturb the integrity of such signals. The actual voltage levels of the various voltage domains can be measured at the individual jumpers. For more details, please refer to **sec. 3.2 'Voltage distribution'** and **Chapter 11 'Schematic'**.

CAUTION: The pin headers are directly connected to the pins of the device, therefore special care must be taken to avoid any electrostatic or other damage to the device.

6.1 Push button for RESET

In order to issue a RESET to the device, the push-button SW1 is available.

6.2 Mode Selection

The PiggyBack Board gives the possibility to configure the following mode pins

- MD0 via jumper JP26
- MD1 via jumper JP27

To apply "High" to the mode pins, the corresponding jumpers can be set.

CAUTION: Be careful in configuration of mode related pins, as wrong configuration can cause irregular behaviour of the devices. Be sure to check the corresponding User's Manual for details, which modes can be selected for the used device.

6.3 Connectors to Mainboard

Three connectors (CN1, CN2 and CN3) are available to connect the PiggyBack board to a Mainboard. Regarding the function on the Mainboard, please refer to the UM of any supported Mainboard (Y-RH850-X1X-MB-Tx-Vx).

For details about the signal assignment to the connectors, please refer to **Chapter 11 'Schematic'**.

6.3.1 Assignment of CAN Pins

The available Mainboards (Y-RH850-X1X-MB-Tx-Vx) provide connectors for CAN communication. The channel number of the Mainboards does not match the channel number of RH850/E2x devices.

The following table shows the assignment.

Table 5 CAN Function Assignment

Mainboard	PiggyBack Board (MCU)	
	Port Pin	CAN Alternative Function
CAN0TX	P32_1	CTX2
CAN0RX	P32_0	CRX2
CAN1TX	P15_2	CTX1
CAN1RX	P15_1	CRX1

CAN2TX	P02_0	CTX0
CAN2RX	P02_2	CRX0
CAN3TX	P32_6	CTX3
CAN3RX	P32_4	CRX3
CAN4TX	P15_7	CTX4
CAN4RX	P15_8	CRX4

6.4 RHSIF I/F

CN11 is available to connect to the RHSIF I/F signals of the device. The connector is a Samtec 'ERF8-005-05.0-L-DV-L-TR' type connector and the following table shows the signal assignment.

Table 6 RHSIF I/F Pin Assignment

CN10 Pin	Function	Device Pin	CN10 Pin	Function	Device Pin
1	HSIF0_TXDP	P21_5	2	GND	-
3	HSIF0_TXDN	P21_4	4	GND	-
5	GND	-	6	HSIF0_REFCLK	P20_0
7	HSIF0_RXDN	P21_2	8	GND	-
9	HSIF0_RXDP	P21_3	10	GND	-

All signals are by default not connected to a pin header in order to minimize disturbance on the signal. If needed the signals can be connected to CN5 (pins #10, 12 and 14 – 16) via connecting with 0Ohm resistances R31, R50, R75, R76 and R78. For details, please refer to **Chapter 11 'Schematic'**.

6.5 HS-SPI I/F

CN13 is available to connect to the HS-SPI I/F signals of the device. The connector is a Samtec 'ERF8-005-05.0-L-DV-L-TR' type connector and the following table shows the signal assignment.

Table 7 HS-SPI I/F Pin Assignment

CN13 Pin	Function	Device Pin	CN13 Pin	Function ^{*1}	Device Pin ^{*1}	Function ^{*2}	Device Pin ^{*2}
1	CLKP	P13_1	2	TXDP	P13_3	RXDP	P14_4
3	CLKN	P13_0	4	TXDN	P13_2	RXDN	P14_5
5	GND	-	6	GND	-	GND	-
7	GND	-	8	RXDP	P14_4	TXDP	P13_3
9	SSL/SSLI ^{*3}	P14_2	10	RXDN	P14_5	TXDN	P13_2

Note 1 & 2: The function of CN13 pins 2, 4, 8 and 10 depend on the configuration of JP29

- JP29 pins 1 and 2 connected: Function *1 is effective
- JP29 pins 2 and 3 connected: Function *2 is effective

Note 3: The function of the pin P14_2 can be configured in the used MCU device. For details, please refer to the HW user's manual of the used device.

All signals are by default not connected to a pin header in order to minimize disturbance on the signal. If needed the signals can be connected to CN6 (pins #23, 25, 26, 28, 30, 32 and 41) via connecting with 0Ohm resistances R112 – R116, R118 and R119. For details, please refer to **Chapter 11 'Schematic'**.

6.6 RHSB I/F

CN12 is available to connect to the HS-SPI I/F signals of the device. The connector is a Samtec 'ERF8-010-05.0-L-DV-L-TR' type connector and the following table shows the signal assignment

Table 8 RHSB I/F Pin Assignment

CN12 Pin	Function	Device Pin	CN12 Pin	Function	Device Pin
1	RHSB1FCLN	P10_1	2	RHSB1CSD0	P10_7
3	RHSB1FCLP	P10_0	4	RHSB1EMRG	P12_0
5	GND	-	6	RHSB1SI0	P12_2
7	RHSB1SON	P10_3	8	RHSB1SI1	P12_4
9	RHSB1SOP	P10_2	10	RHSB1CSD1	P10_6
11	RHSB0FCLN	P13_0	12	RHSB0CSD0	P14_7
13	RHSB0FCLP	P13_1	14	RHSB0EMRG	P12_7
15	GND	-	16	RHSB0SI0	P12_3
17	RHSB0SON	P13_2*1	18	RHSB0SI1	P12_1
19	RHSB0SOP	P13_3*1	20	RHSB0CSD1	P12_5

Note 1: By default, these signals are not directly connected to the corresponding device pins. In order to use these signals for the RHSB I/F CN12 pins #17 and #19 must be connected to the device via 0Ohm resistances R104 and R105. In case of using the HS-SPI I/F (refer to section 6.5), it is recommended to not apply the latter resistances. This is to minimize signal disturbance. For details, please refer to **Chapter 11 'Schematic'**.

The signals assigned to CN12 pins #1, 3, 7, 9, 17 and 19 are by default not connected to a pin header in order to minimize disturbance on the signal. If needed the signals can be connected to CN6 (pins #30 and 32) and CN18 (pins #34, 36, 38 and 40) via connecting with 0Ohm resistances R108 – R111 and R115 and R116. Please also consider above note 1. For details, please refer to **Chapter 11 'Schematic'**.

Chapter 7 Other circuitry

7.1 Signalling for ERROROUT_M

A red LED (LED4) is available to indicate a “low” output signal from ERROROUT_M.

7.2 Pin Headers for Pull-Down and Pull-Up

A connector CN9 is available to enable easy connection to 3.3V / 5V or GND via pull-up or pull-down resistances, respectively.

Hereby uneven pins from 1 to 19 (in total ten) are configured as pull-up pin headers, while the even numbers from 2 to 20 (in total ten) can be used for pull-down. JP25 and JP32 configure the voltage connected to the uneven pins to 3.3V or 5V. JP25 configures uneven pins 1 – 9 and JP32 configures uneven pins 11 – 19.

By connecting device port pins from CN5 – 8 to CN9 it is therefore possible to pull a desired port pin to “Low” or “High”.

7.3 Signalling LEDs

Eight LEDs are provided to allow visual observation of the output state of device pins. Device pins P33_0 to P33_7 are connected to the uneven pins 15 to 1 of the pin header CN4, while the LEDs 6 to 13 are connected to the even pins 16 to 2, respectively. Thus, the LEDs can be connected to the device port pins P33_0 to P33_7 via jumper or to any device port pin by connecting directly to the even pin headers of CN4.

Chapter 8 Jumper Configuration

Jumper are available to configure the function of the board. This chapter describes the standard configuration, i.e. jumper setting for the intended devices, to enable basic operation. For a detailed explanation of the supported function of the used device, please refer to the corresponding HW user's manual.

Table 9 Recommended Jumper Settings

Purpose	Jumper #	Device	
		RH850/E2M in BGA373	
		FCC1 for E2M	E2M
5.0V Main	0	o	o
3.3V Main* ¹⁾	1	o (opt)	- (opt)
5.0V Analog Main	2	o	o
3.3V Analog Main	3	- (opt)	- (opt)
E0VCC Config	4	#1-#2 only	#1-#2 only
E1VCC Config	5	#1-#2	#1-#2
E2VCC Config	6	#1-#2	#1-#2
LVDVCC Config	7	#1-#2	#1-#2
SYSVCC Config	8	#1-#2	#1-#2
VCC Config	9	#1-#2	#1-#2
EMUVCC* ¹⁾	10	#2-#3 only (opt)	-
VDDIOF	11	#1-#2	#1-#2
A0VCC Config	12	#1-#2 only	#1-#2 only
A0VREFH Config	13	#1-#2 only	#1-#2 only
A1VCC Config	14	#1-#2 only	#1-#2 only
A1VREFH Config	15	#1-#2 only	#1-#2 only
A2VCC Config	16	#1-#2 only	#1-#2 only
A2VREFH Config	17	#1-#2 only	#1-#2 only
A3VCC Config	18	#1-#2 only	#1-#2 only
A3VREFH Config	19	#1-#2 only	#1-#2 only
ADSVCC	20	#1-#2 only	#1-#2 only
ADSVREFH	21	#1-#2 only	#1-#2 only
1.25V Source	22	#1-#2	#1-#2
VDD	23	o	o
EMUVDD* ¹⁾	24	o (opt)	-
CN9 Pull-Up 1-9	25	- (opt)	- (opt)
MD0 Pull-Up	26	- (opt)	- (opt)
MD1 Pull-Up	27	- (opt)	- (opt)
EVTO Pull-Up	28	- (opt)	- (opt)
HS-SPI IC4 Config	29	- (opt)	- (opt)
Board_VCC Config	30	#1-#2	#1-#2
TRST Config	31	#2-#3	#2-#3
CN9 Pull-Up 11-19	32	- (opt)	- (opt)
ADSVREFL Pull-Down	33	o	o
AUORES Config* ²⁾	34	#1-#2 (opt)	#2-#3 only

Note 1): Optionally for the FCC1 device only. If any of the FCC1 specific features are used (e.g. ERAM, Aurora Trace ...) these jumpers needs to be set.

Note 2): Optionally for the FCC1 device only, if Aurora Trace is used. Please refer to the user's documentation of the used tool for dedicated requirement.

The table has the following meaning:

- o: Jumper must be connected.
- o (opt): Recommended to be connected. Can be left open if not necessary for use case
- -: Jumper must be left open

-
- - (opt): Not mandatory to connect. Can be connected if necessary for use case
 - #x-#y: Connect the pins #x and #y for the standard configuration. Possible to configure depending on the use case and on the allowed specification of the used device.

A small circle near the jumper on the board and a rectangular representation of the pin in the overview picture in sec. 2.1 identifies the #1 pin of the jumper.

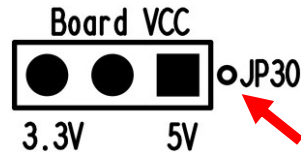


Figure 5 Identifying the Pin #1 at a Jumper

In this example (JP30), the pin #1 is on the right side. The red arrow highlights the marking circle.

Chapter 9 Precautions

9.1 Power-Off Sequence

A dedicated sequence needs to be applied, when the power supplied to the board is turned off.

Please follow below sequence:

1. At first press the reset push-button SW1 and keep the button pushed down (keep the Reset asserted)
2. Turn off the board power supply
3. After power supply is shut down, release the push-button SW1

Chapter 10 Mechanical dimensions

All dimensions given in mm.

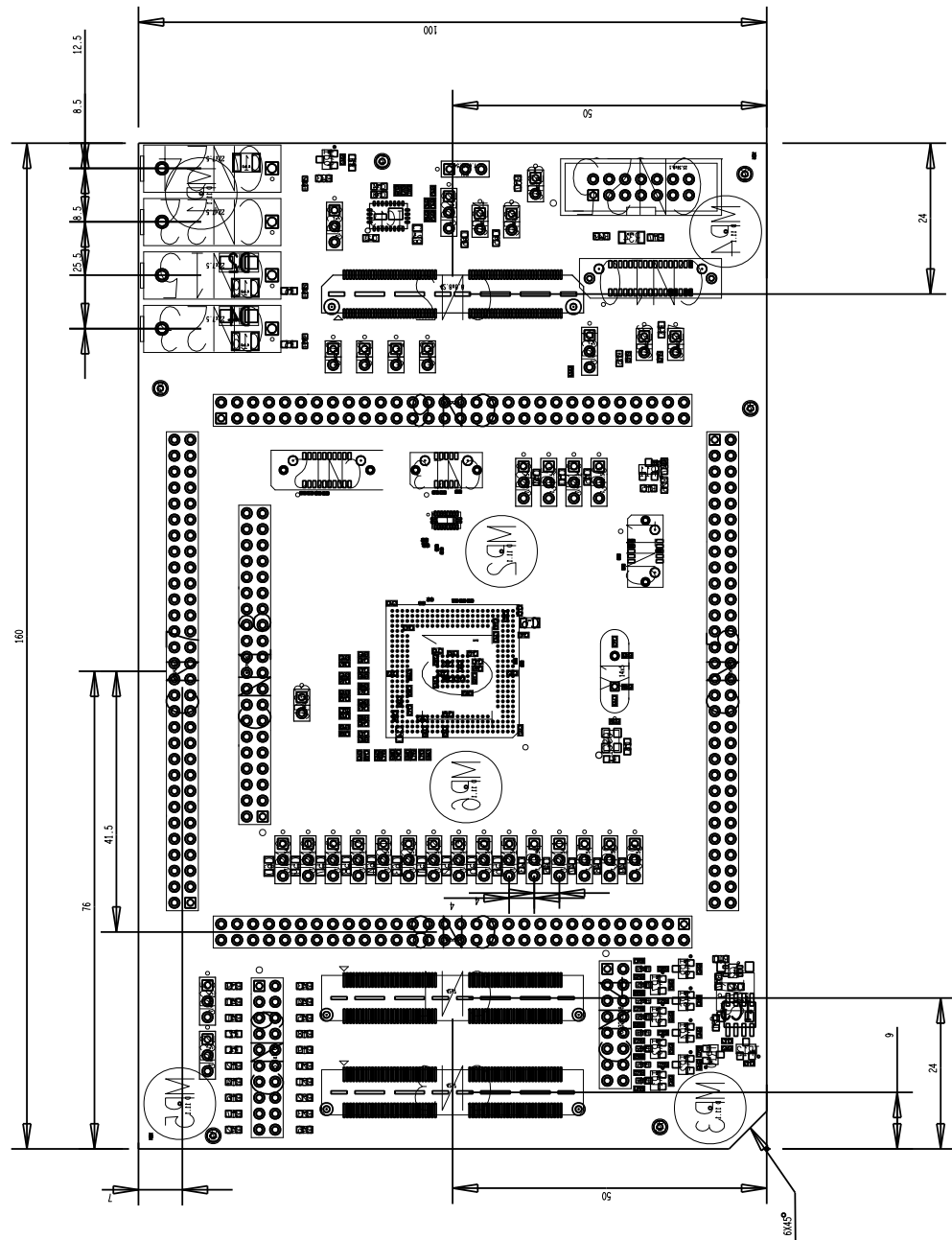


Figure 6 Dimensions of the PiggyBack Board

Chapter 11 Schematic

CAUTION: *The schematics shown in this document are not intended to be used as a reference for mass production. Any usage in an application design is in sole responsibility of the customer.*

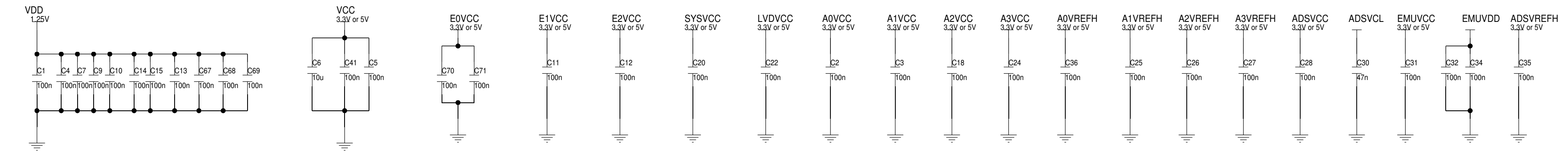
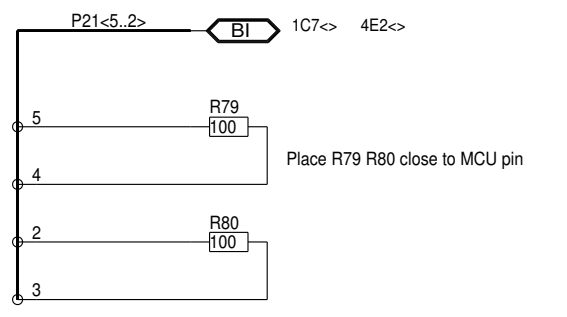
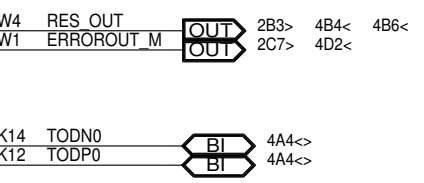
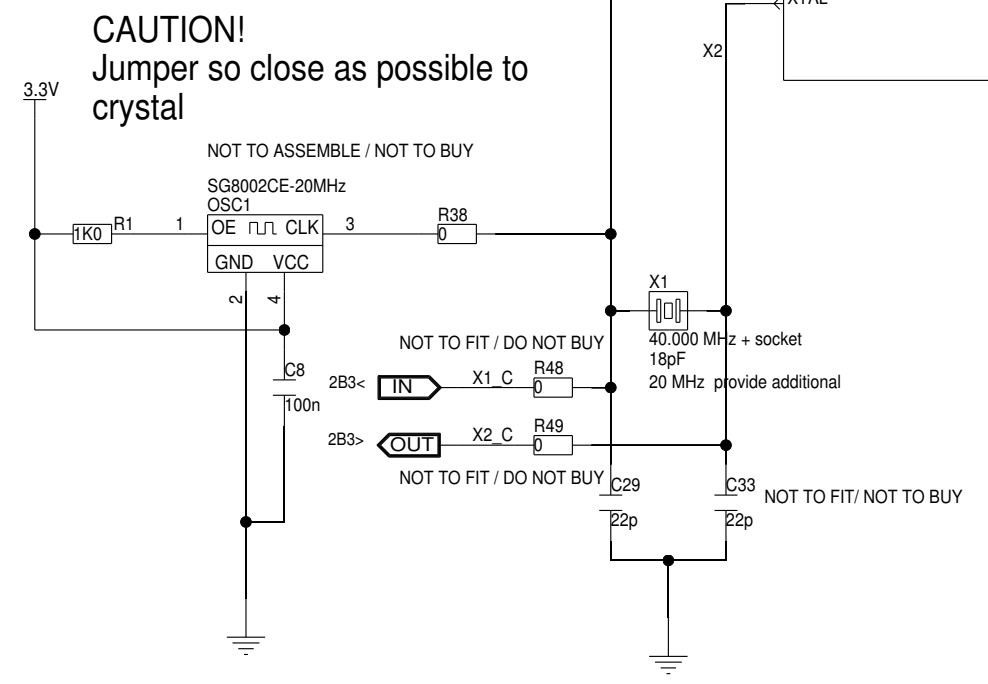
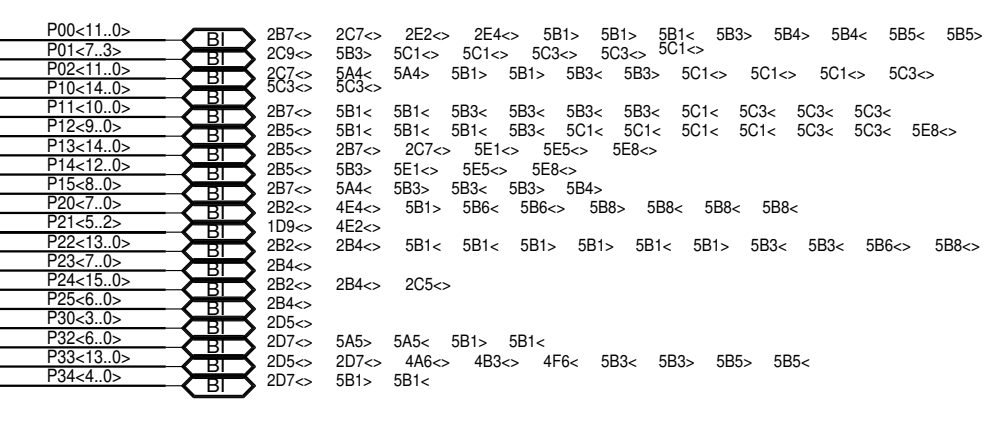
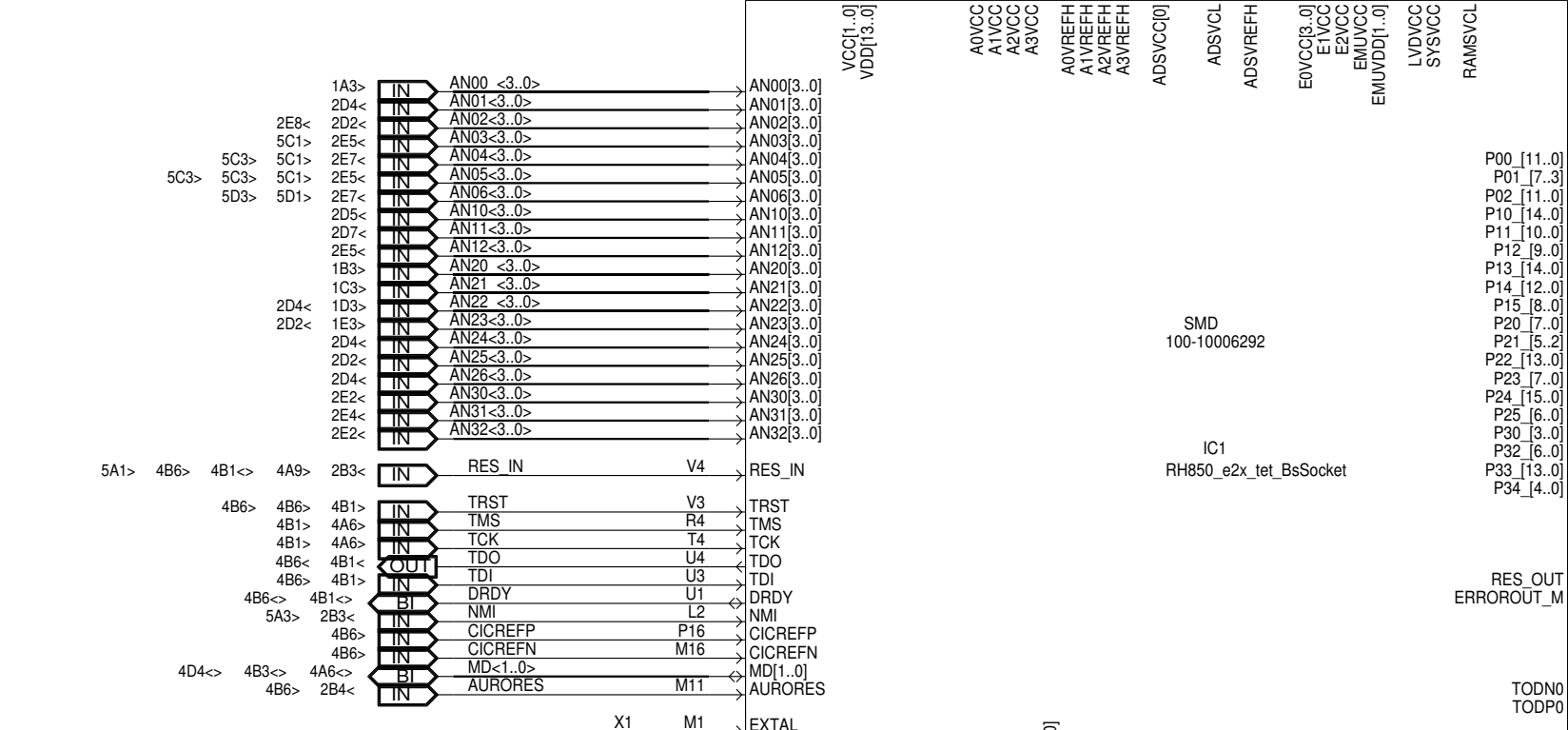
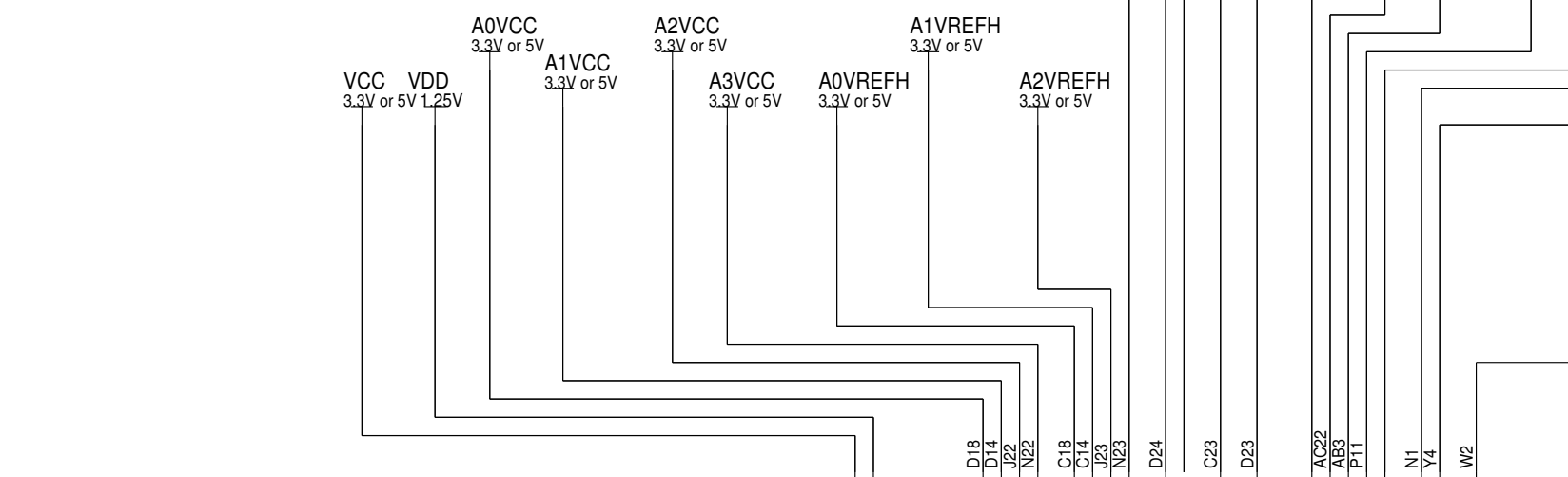
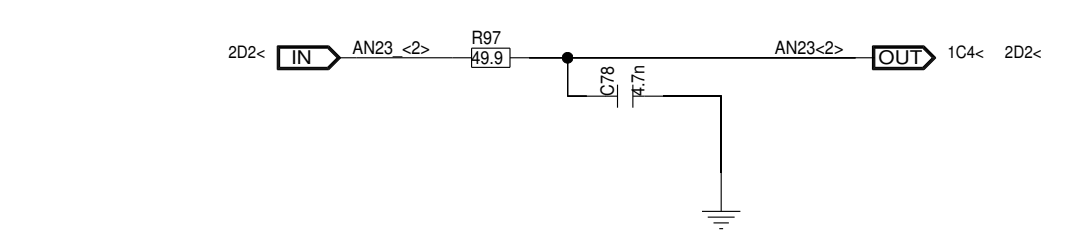
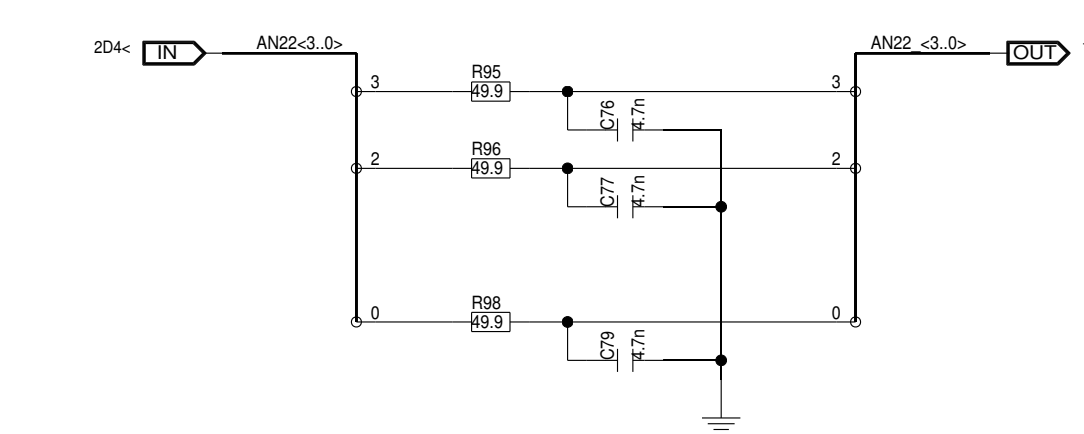
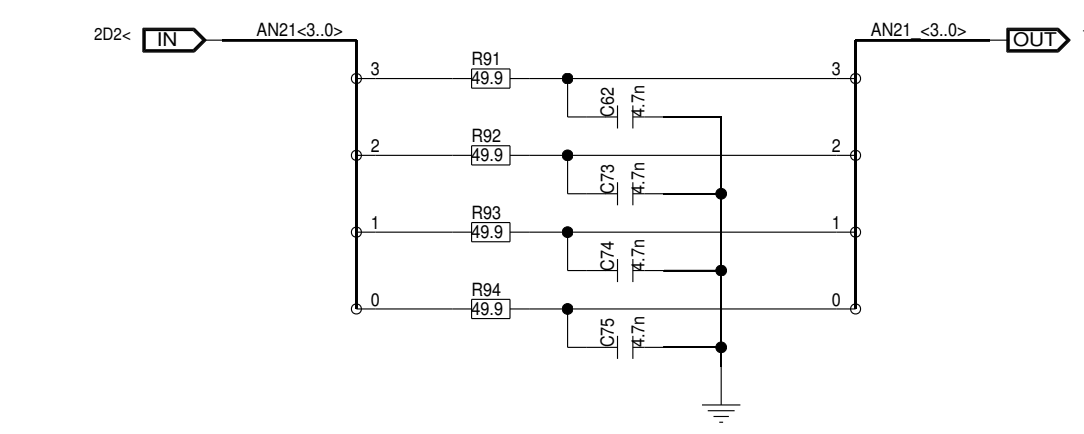
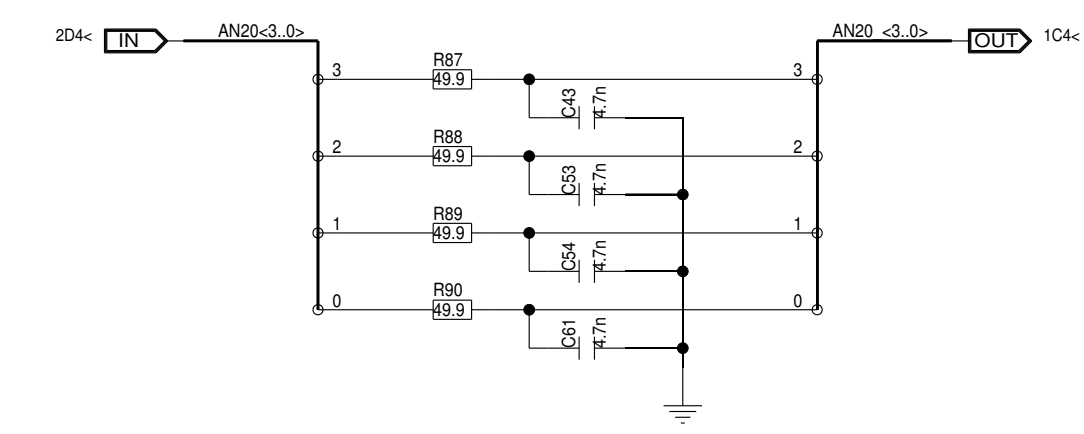
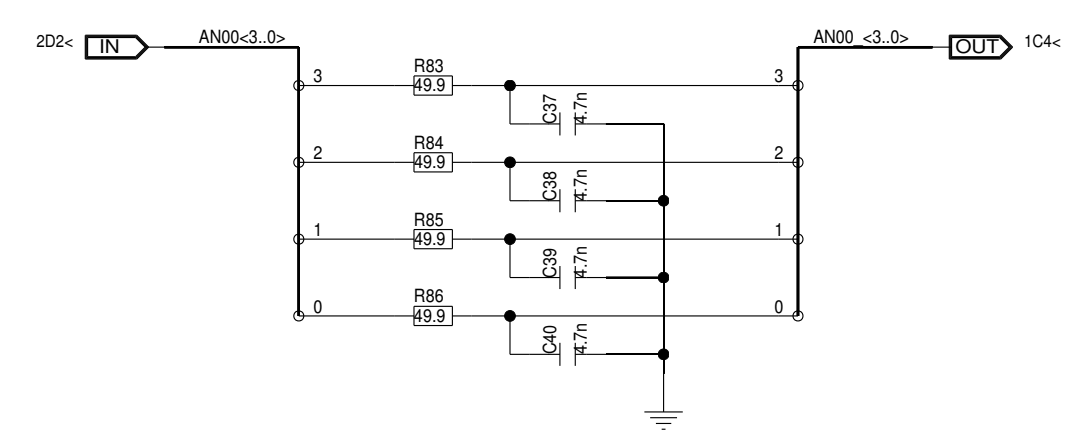
The following components described in the schematic are not provided with the board:

- Oscillator OSC1
- Capacitors C29 and C33
- Resistances
 - R30, R35, R48 and R49
 - R31, R50, R75, R76, R78, R106 – R116, R118 – R122

The following components described in the schematic are provided with but not mounted on the board:

- Standard 4mm power lab sockets
 - CN22
 - CN15, CN23 and CN24

Version	Changes	Date	Component
V2.00	Added R126	08.08.2017 WR	



A

B

C

D

E

F

A

B

C

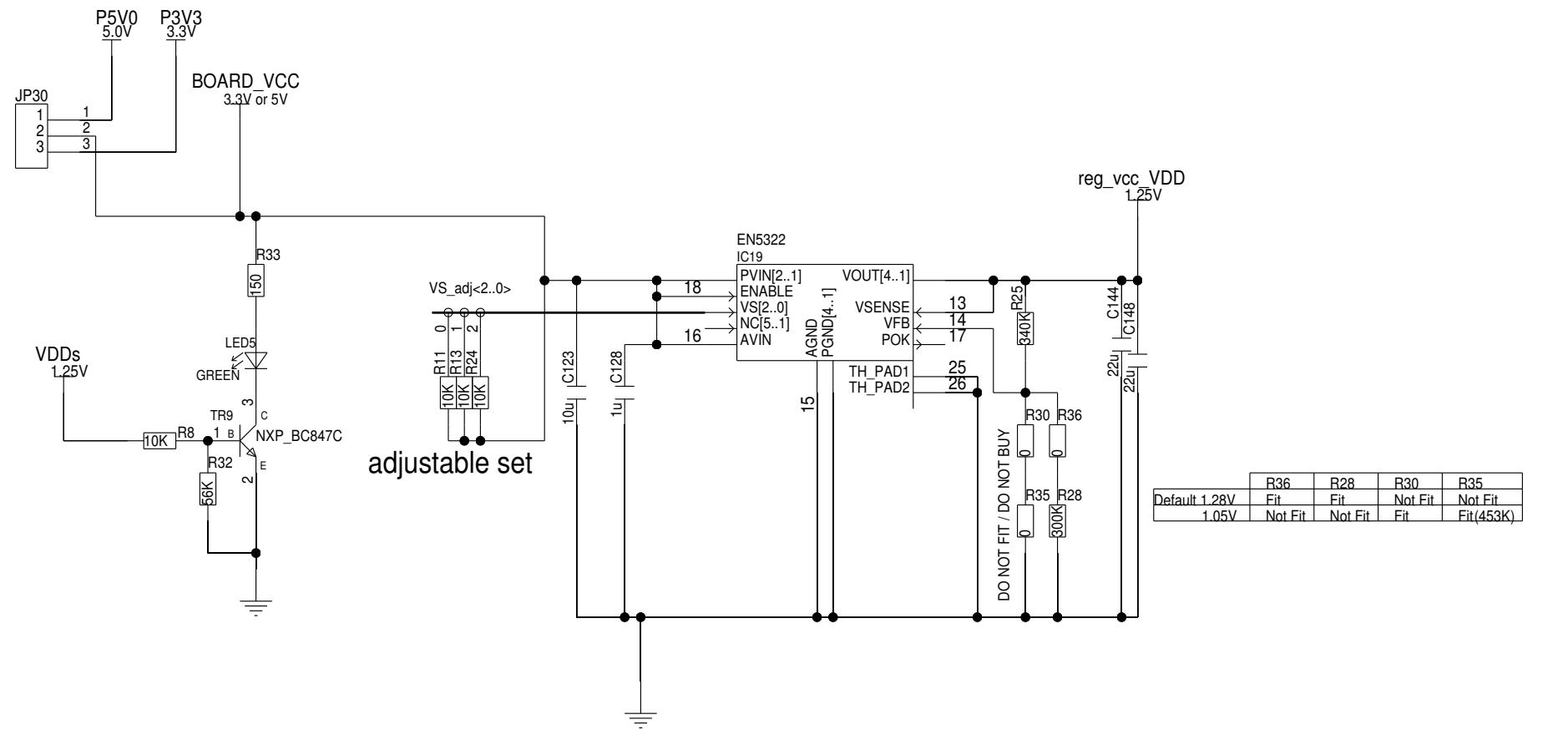
D

E

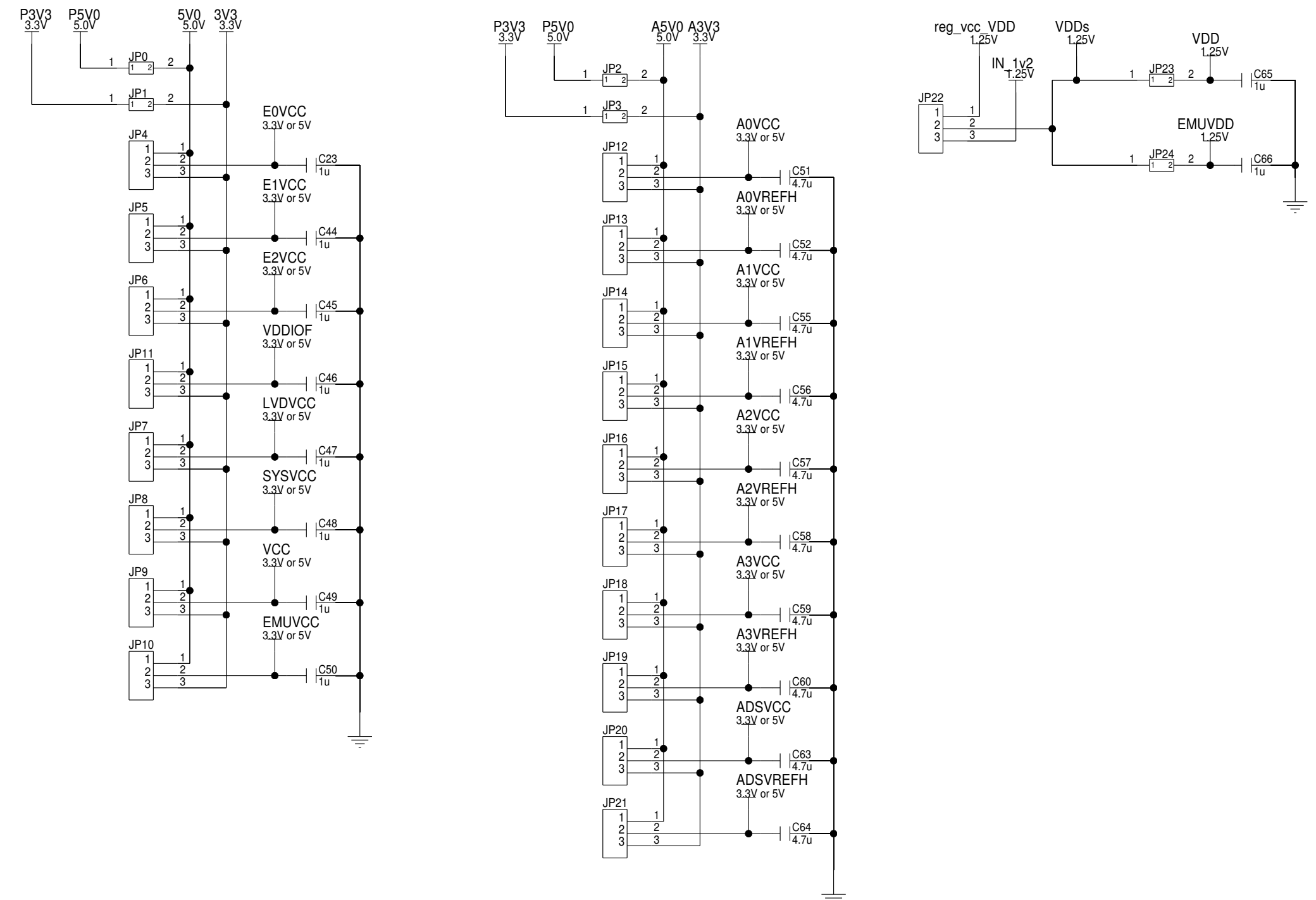
F



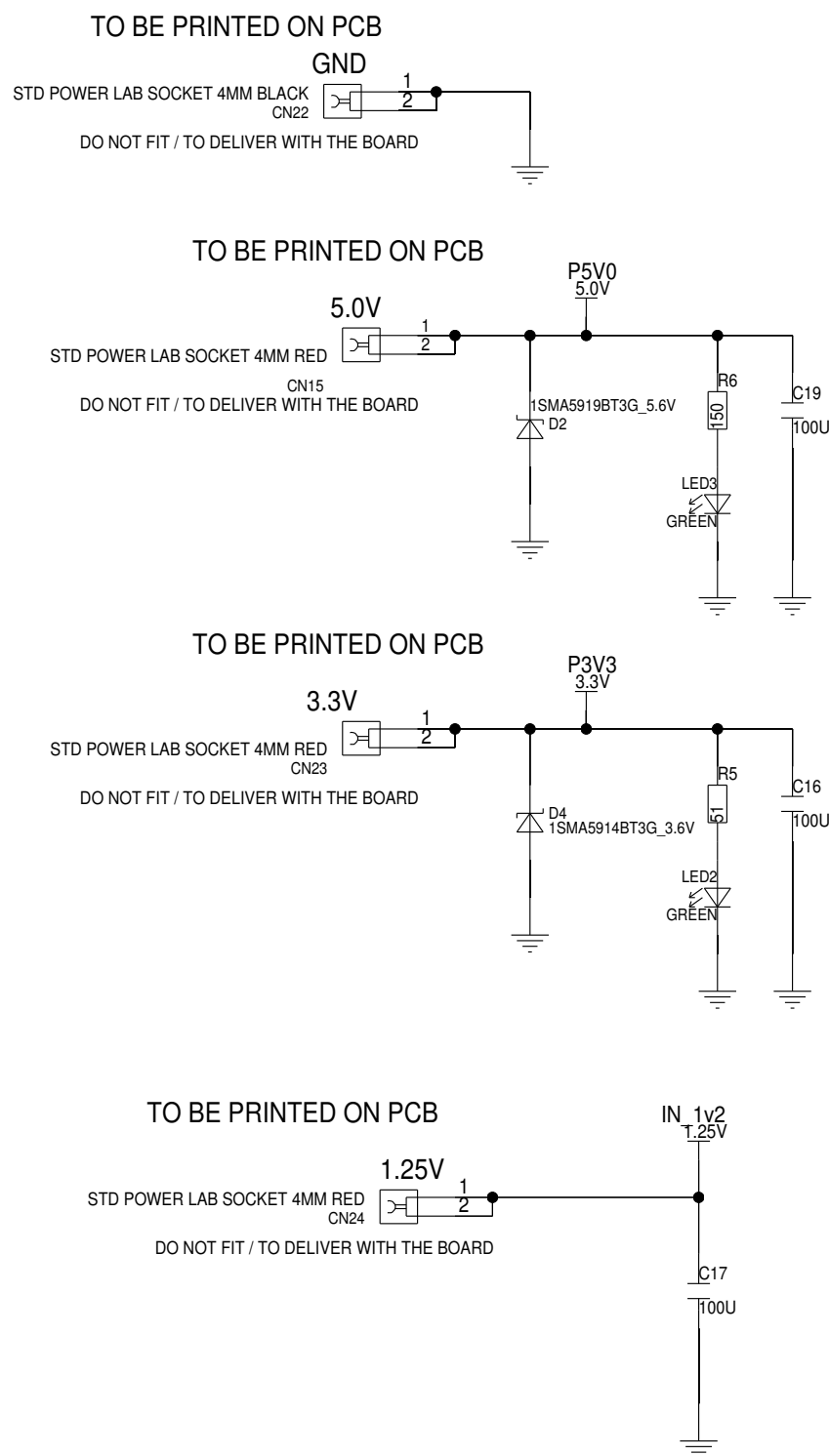
VOLTAGE REGULATOR



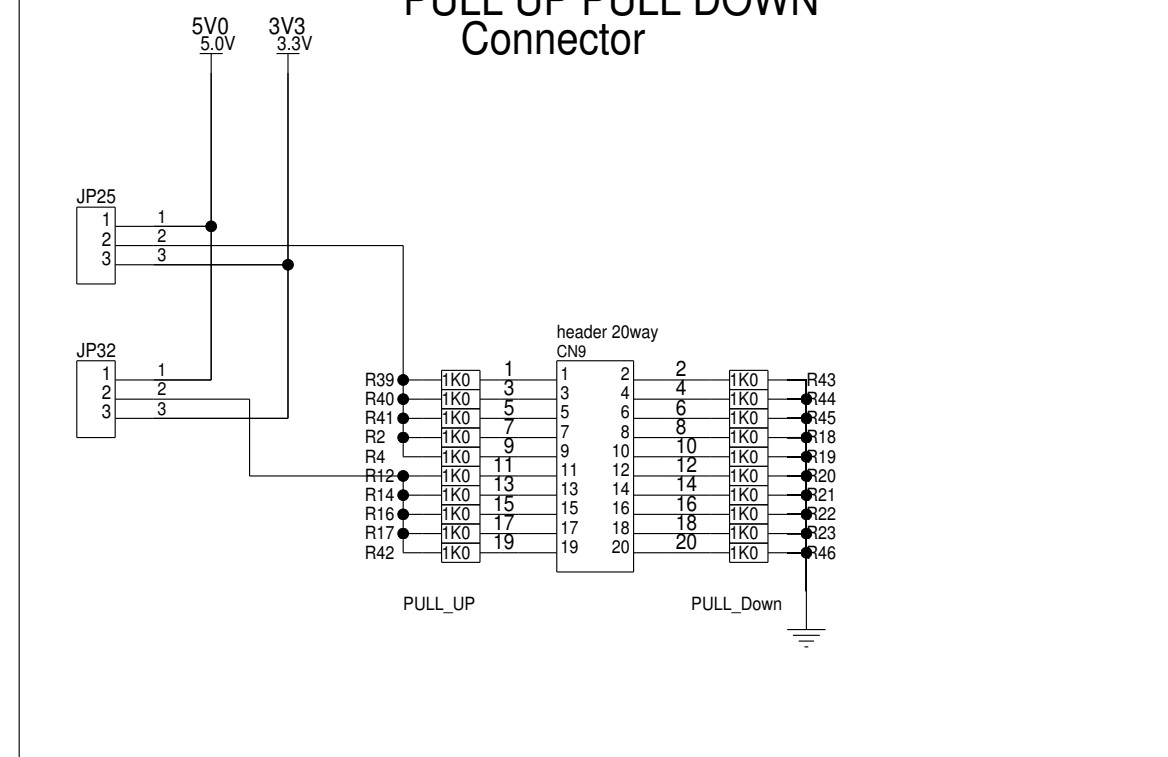
VOLTAGE DISTRIBUTION



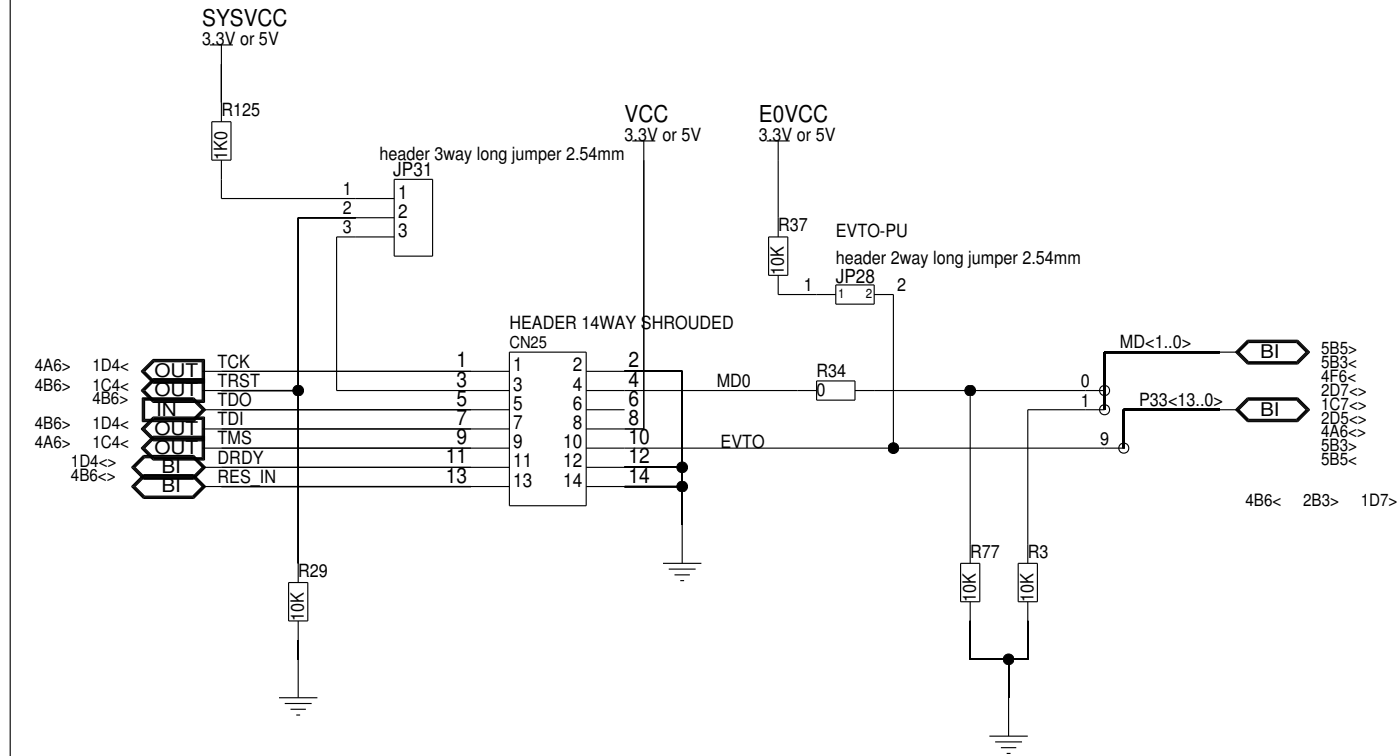
POWER SUPPLY



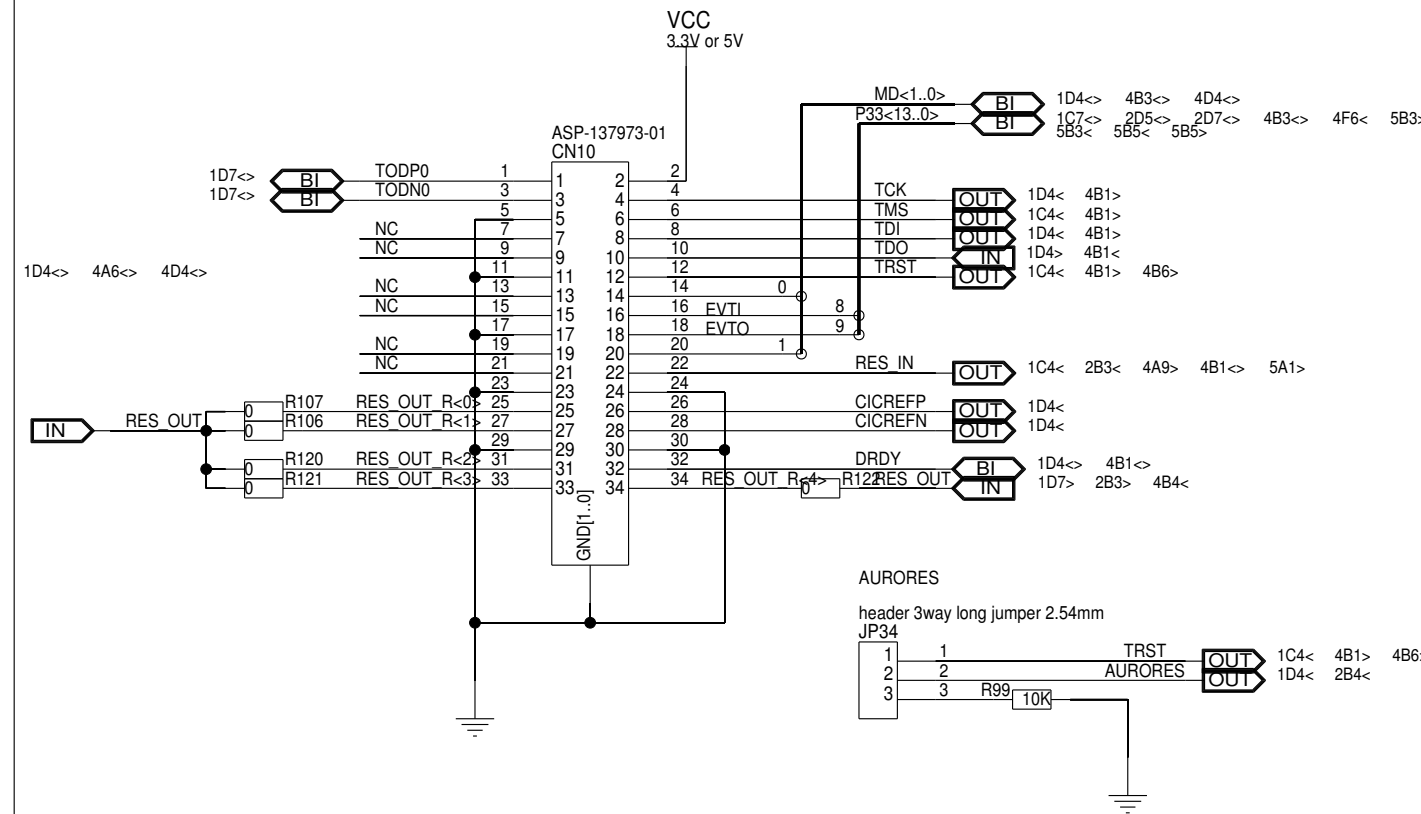
PULL UP PULL DOWN Connector



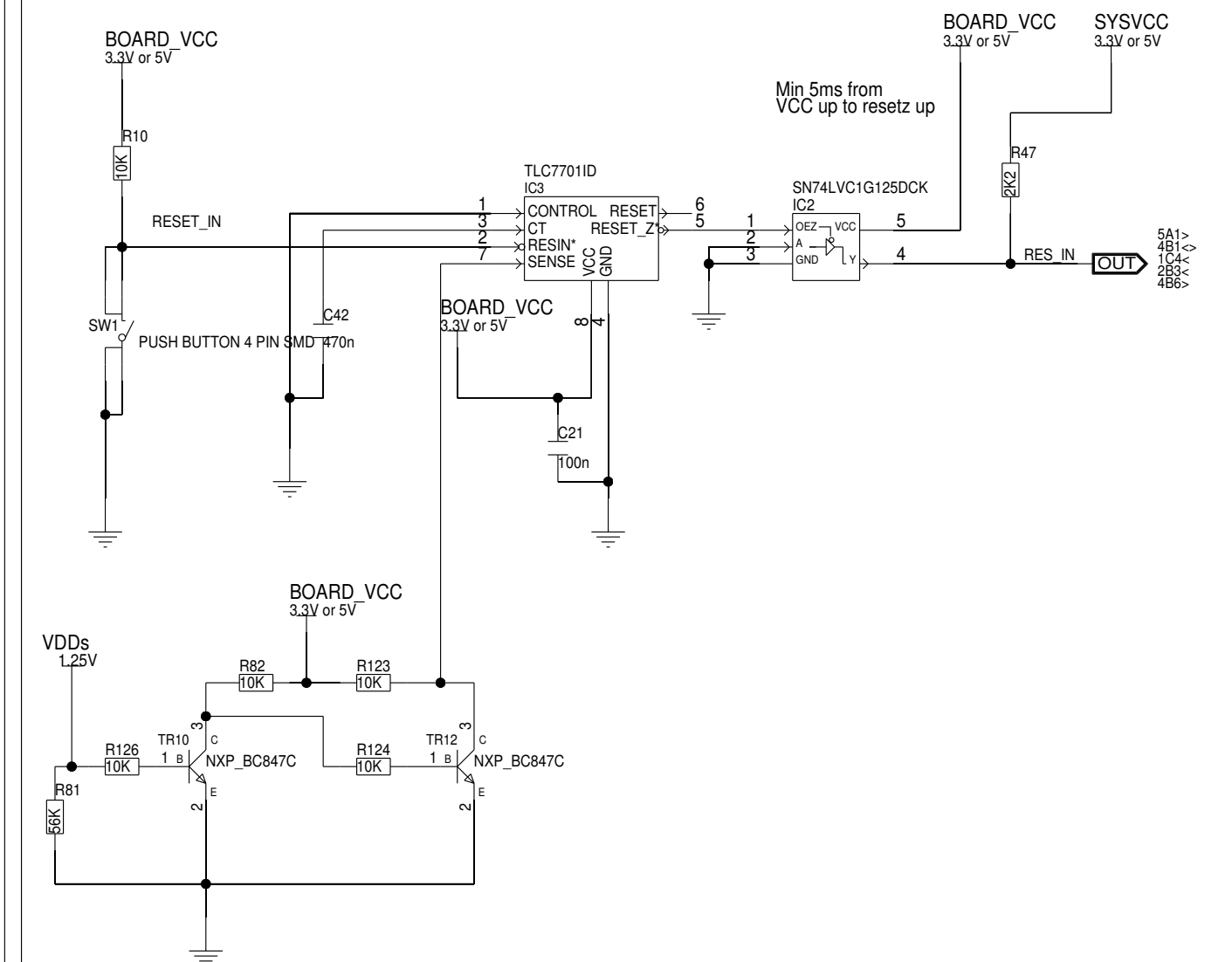
DEBUG AND PROGRAMMING INTERFACE



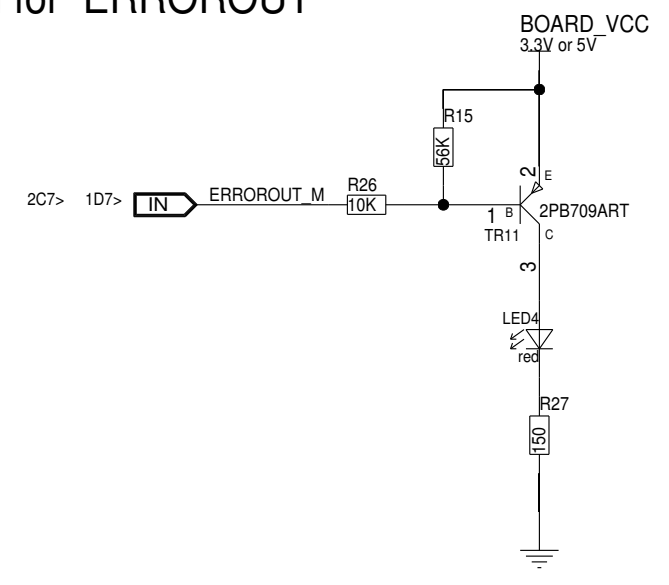
Aurora I/F



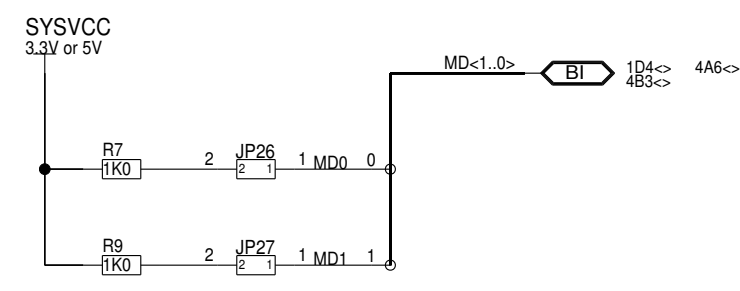
PUSH BUTTON FOR RESET



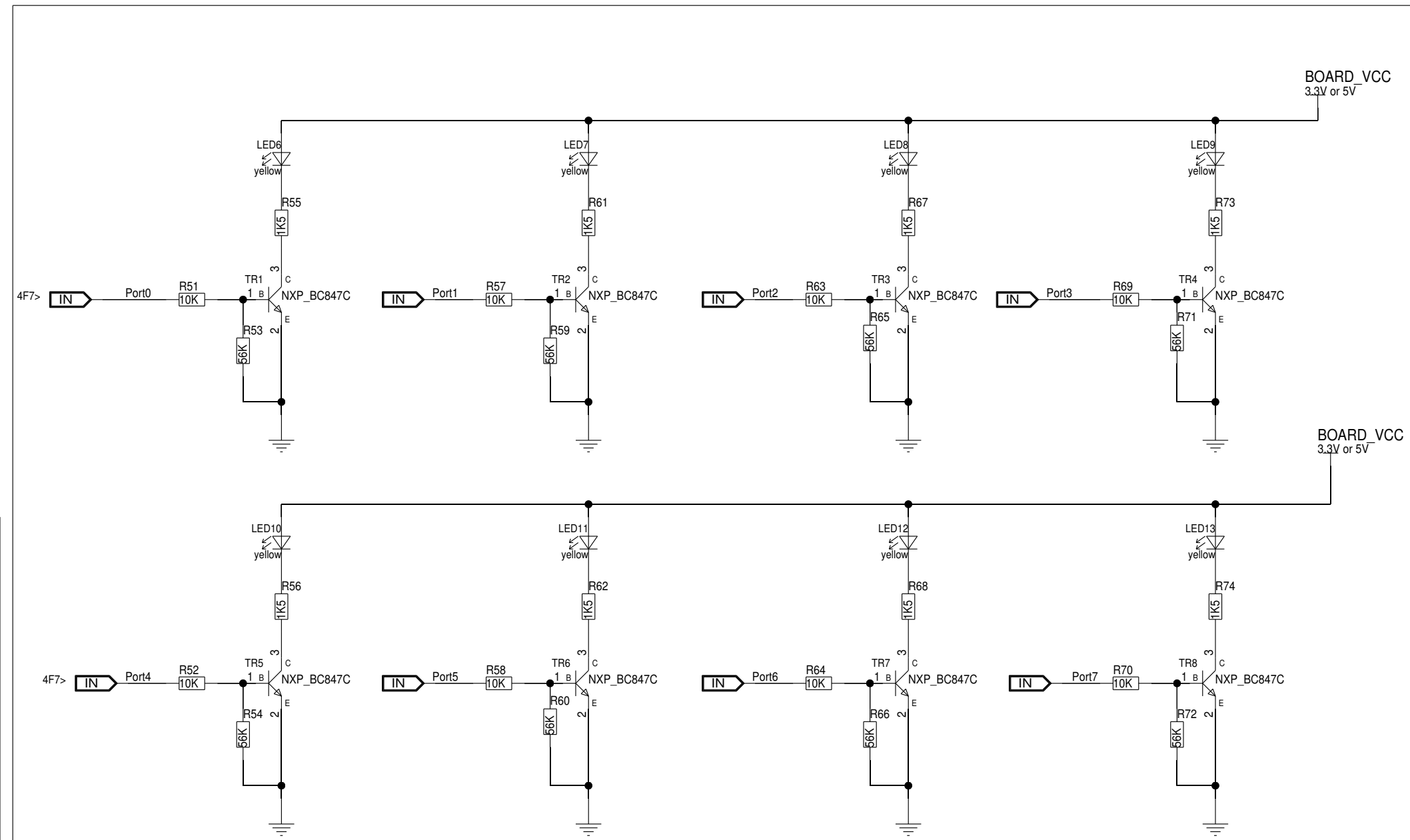
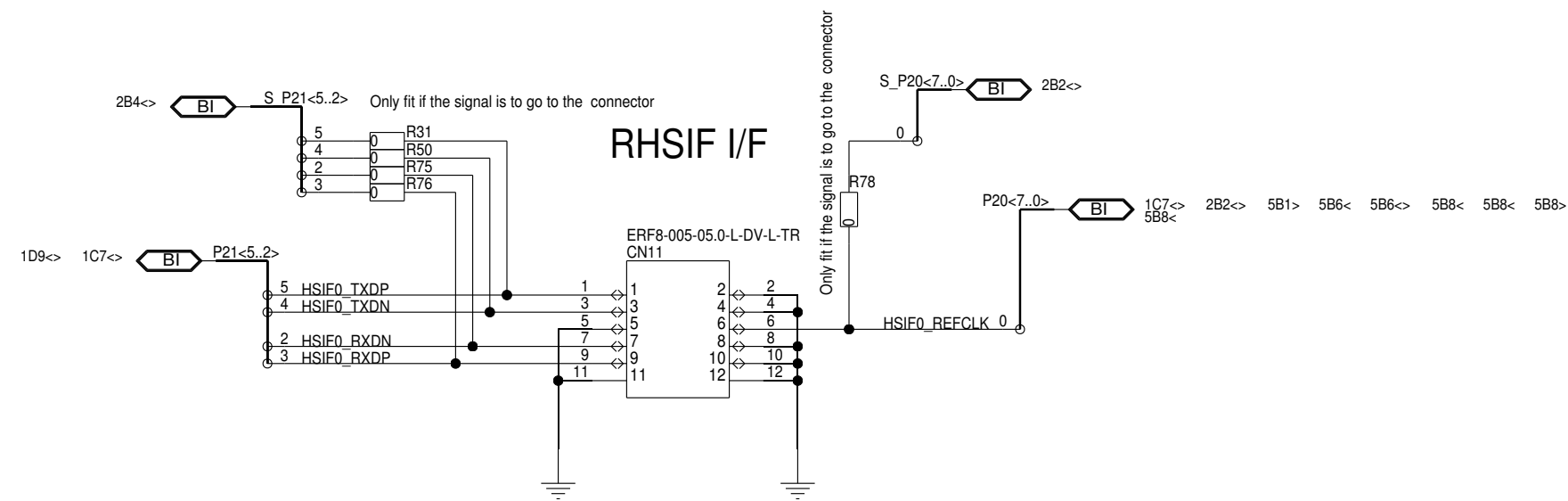
Signalling for ERROROUT



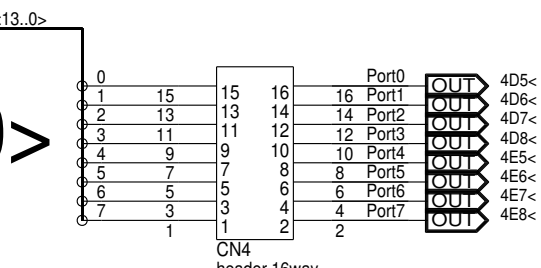
MODE Jumper



RHSIF I/F



LED - P33<7..0>

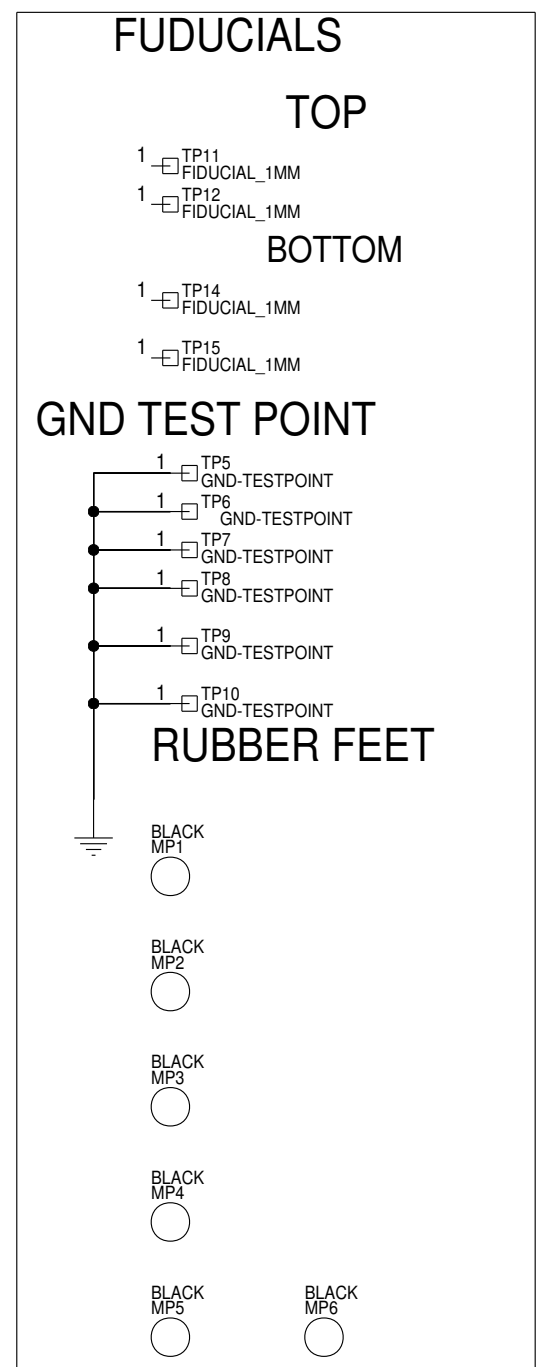
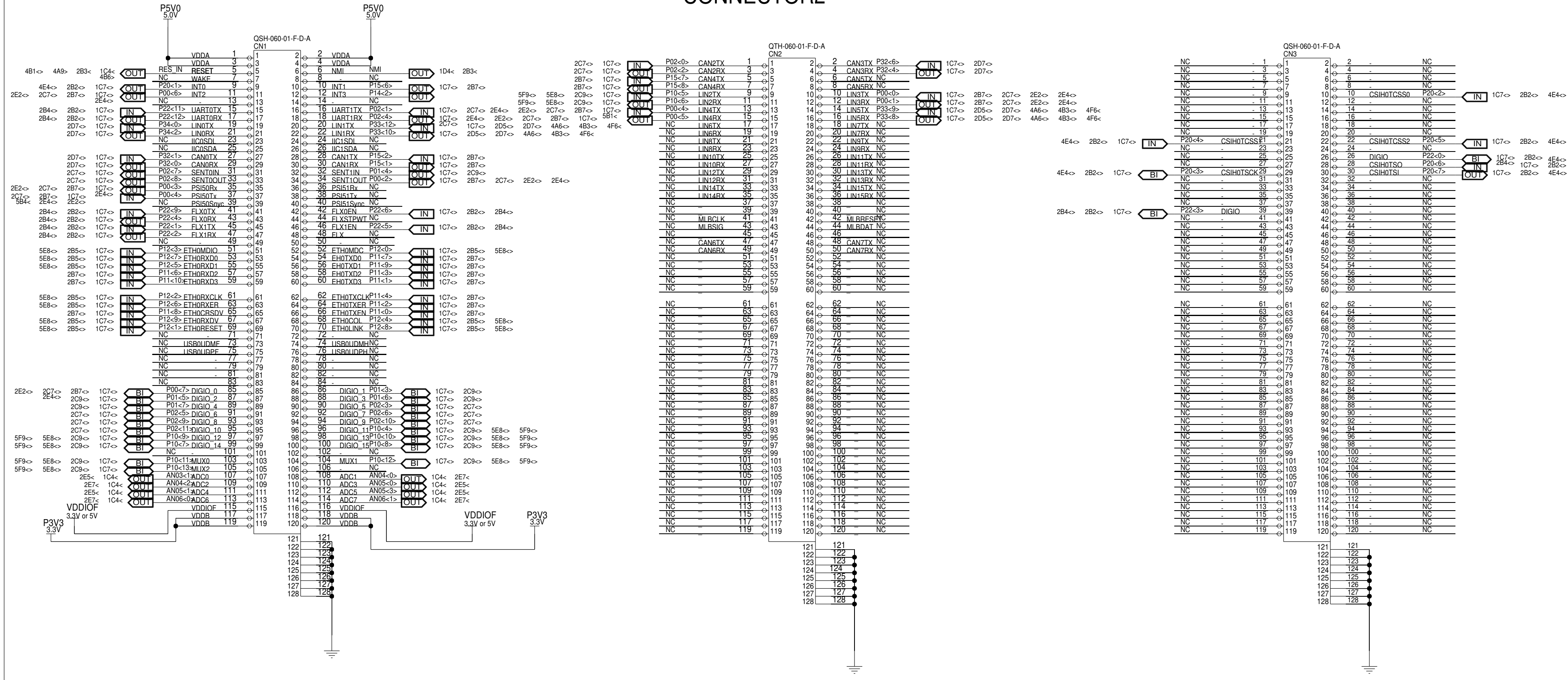


CONNECT TO MAIN BOARD

CONNECTOR1

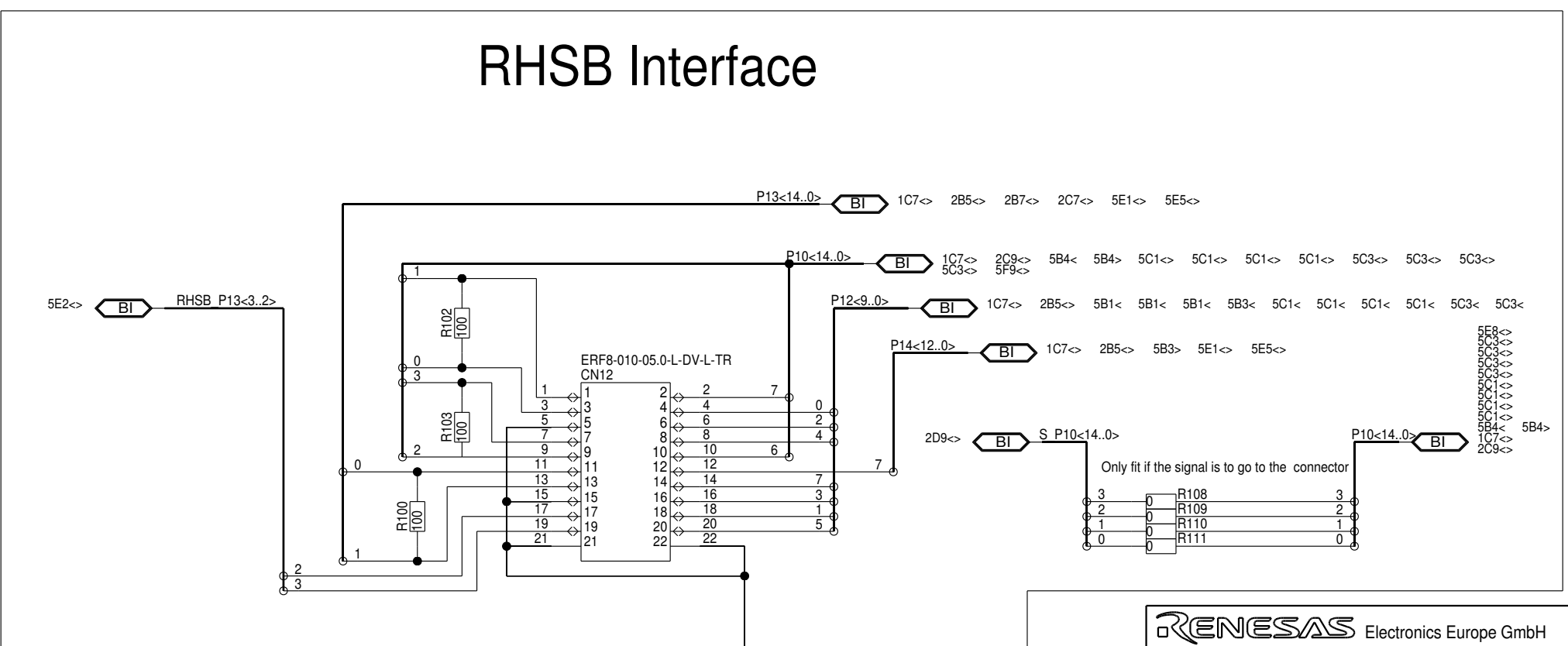
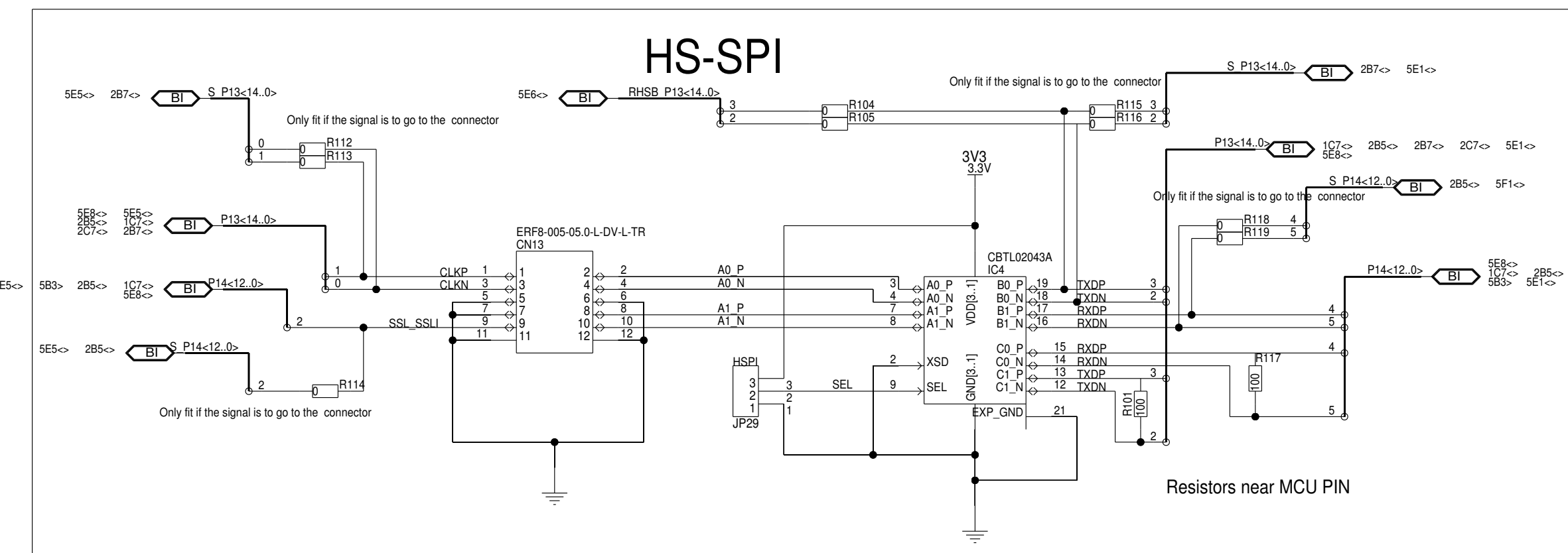
CONNECTOR2

CONNECTOR3



HS-SPI

RHSB Interface



Chapter 12 Revision History

The table provides information about the major changes of the document versions.

Date	Version	Description
2017-08-11	1.0	Initial release
2017-09-01	1.1	- Section 6.3.1: Corrected typing error - Section 9.1: Added precaution

Notice

1. All information included in this document is current as of the date this document is issued. Such information, however, is subject to change without any prior notice. Before purchasing or using any Renesas Electronics products listed herein, please confirm the latest product information with a Renesas Electronics sales office. Also, please pay regular and careful attention to additional and different information to be disclosed by Renesas Electronics such as that disclosed through our website.
2. Renesas Electronics does not assume any liability for infringement of patents, copyrights, or other intellectual property rights of third parties by or arising from the use of Renesas Electronics products or technical information described in this document. No license, express, implied or otherwise, is granted hereby under any patents, copyrights or other intellectual property rights of Renesas Electronics or others.
3. You should not alter, modify, copy, or otherwise misappropriate any Renesas Electronics product, whether in whole or in part.
4. Descriptions of circuits, software and other related information in this document are provided only to illustrate the operation of semiconductor products and application examples. You are fully responsible for the incorporation of these circuits, software, and information in the design of your equipment. Renesas Electronics assumes no responsibility for any losses incurred by you or third parties arising from the use of these circuits, software, or information.
5. When exporting the products or technology described in this document, you should comply with the applicable export control laws and regulations and follow the procedures required by such laws and regulations. You should not use Renesas Electronics products or the technology described in this document for any purpose relating to military applications or use by the military, including but not limited to the development of weapons of mass destruction. Renesas Electronics products and technology may not be used for or incorporated into any products or systems whose manufacture, use, or sale is prohibited under any applicable domestic or foreign laws or regulations.
6. Renesas Electronics has used reasonable care in preparing the information included in this document, but Renesas Electronics does not warrant that such information is error free. Renesas Electronics assumes no liability whatsoever for any damages incurred by you resulting from errors in or omissions from the information included herein.
7. Renesas Electronics products are classified according to the following three quality grades: "Standard", "High Quality", and "Specific". The recommended applications for each Renesas Electronics product depends on the product's quality grade, as indicated below. You must check the quality grade of each Renesas Electronics product before using it in a particular application. You may not use any Renesas Electronics product for any application categorized as "Specific" without the prior written consent of Renesas Electronics. Further, you may not use any Renesas Electronics product for any application for which it is not intended without the prior written consent of Renesas Electronics. Renesas Electronics shall not be in any way liable for any damages or losses incurred by you or third parties arising from the use of any Renesas Electronics product for an application categorized as "Specific" or for which the product is not intended where you have failed to obtain the prior written consent of Renesas Electronics.

The quality grade of each Renesas Electronics product is "Standard" unless otherwise expressly specified in a Renesas Electronics data sheets or data books, etc.

"Standard": Computers; office equipment; communications equipment; test and measurement equipment; audio and visual equipment; home electronic appliances; machine tools; personal electronic equipment; and industrial robots.

"High Quality": Transportation equipment (automobiles, trains, ships, etc.); traffic control systems; anti-disaster systems; anti-crime systems; safety equipment; and medical equipment not specifically designed for life support.

"Specific": Aircraft; aerospace equipment; submersible repeaters; nuclear reactor control systems; medical equipment or systems for life support (e.g. artificial life support devices or systems), surgical implantations, or healthcare intervention (e.g. excision, etc.), and any other applications or purposes that pose a direct threat to human life.

8. You should use the Renesas Electronics products described in this document within the range specified by Renesas Electronics, especially with respect to the maximum rating, operating supply voltage range, movement power voltage range, heat radiation characteristics, installation and other product characteristics. Renesas Electronics shall have no liability for malfunctions or damages arising out of the use of Renesas Electronics products beyond such specified ranges.

-
9. Although Renesas Electronics endeavors to improve the quality and reliability of its products, semiconductor products have specific characteristics such as the occurrence of failure at a certain rate and malfunctions under certain use conditions. Further, Renesas Electronics products are not subject to radiation resistance design. Please be sure to implement safety measures to guard them against the possibility of physical injury, and injury or damage caused by fire in the event of the failure of a Renesas Electronics product, such as safety design for hardware and software including but not limited to redundancy, fire control and malfunction prevention, appropriate treatment for aging degradation or any other appropriate measures. Because the evaluation of microcomputer software alone is very difficult, please evaluate the safety of the final products or system manufactured by you.
 10. Please contact a Renesas Electronics sales office for details as to environmental matters such as the environmental compatibility of each Renesas Electronics product. Please use Renesas Electronics products in compliance with all applicable laws and regulations that regulate the inclusion or use of controlled substances, including without limitation, the EU RoHS Directive. Renesas Electronics assumes no liability for damages or losses occurring as a result of your noncompliance with applicable laws and regulations.
 11. This document may not be reproduced or duplicated, in any form, in whole or in part, without prior written consent of Renesas Electronics.
 12. Please contact a Renesas Electronics sales office if you have any questions regarding the information contained in this document or Renesas Electronics products, or if you have any other inquiries.

(Note 1) "Renesas Electronics" as used in this document means Renesas Electronics Corporation and also includes its majority-owned subsidiaries.

(Note 2) "Renesas Electronics product(s)" means any product developed or manufactured by or for Renesas Electronics.



Renesas Electronics Corporation
www.renesas.com