

Add a Loss of Signal (LOS) Indicator to Your RS-485 or RS-422 Transceiver

Abstract

A desirable feature on any network may be a Loss of Signal (LOS) indicator. Such an indicator alerts a monitoring controller that a potentially serious network error has occurred, thereby allowing for notification and/or intervention. In an RS-485/RS-422 network, a LOS may occur if a connector disconnects from a board, if a cable fails, or if the network driver fails or loses power. When this occurs, bus activity ceases (as shown in Figure 1) and an LOS detector would assert its output. This application note discusses the RS-485/RS-422 receiver (Rx) operation, explains how the Rx interprets the differential bus voltages and introduces a method for generating the desired LOS indicator.

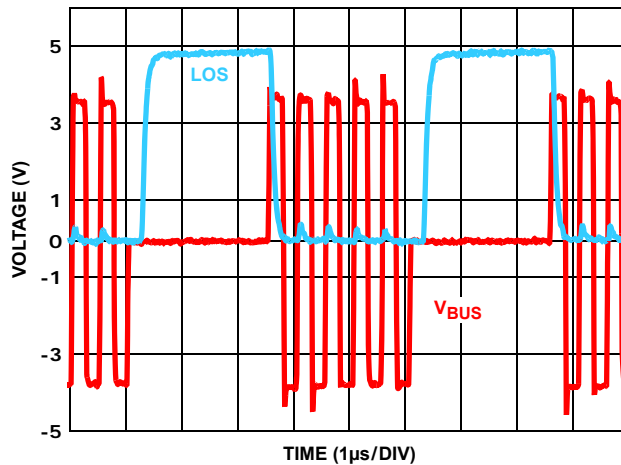


FIGURE 1. TYPICAL LOS OPERATION

Table of Contents

RS-485 Receiver (Rx) Basics 2

 Rx Failsafe 2

 The “Full-failsafe” RS-485 Receiver..... 2

Using Full-failsafe Receivers for LOS Detection 2

 Adding an Additional Full-failsafe Rx Allows LOS Detection 2

 LOS Detect May Not Work for All Rx 3

Intersil Full-failsafe Transceiver Families 3

Conclusion 3

List of Figures

FIGURE 1. Typical LOS Operation..... 1

FIGURE 2. LOS Detection Circuit 2

FIGURE 3. Rx Output Voltages Relative to the Bus Voltage 2

FIGURE 4. AND Gate Output and Filtered LOS Indicator Signal..... 3

RS-485 Receiver (Rx) Basics

The RS-485/RS-422 Rx is a differential circuit (comparator) that compares voltages at the noninverting and inverting inputs (A and B), and outputs a corresponding logic level. Per the standards, if A-B (i.e., the differential input voltage) is greater than +200mV, then the Rx outputs a logic high; if A-B < -200mV, then the Rx outputs a logic low. Any differential voltage between -200mV and +200mV is undefined, and the Rx might output a logic high, a logic low or may even oscillate.

Rx Failsafe

In RS-485/RS-422 terminology, “failsafe” is used to indicate Rx functionality that drives the Rx output to a known state when common bus faults occur. The logic high state typically represents the idle (no transmission in progress) state, so driving the Rx output to a logic high under fault conditions is the usual failsafe implementation. Without the failsafe function, an Rx output’s inadvertent logic low, or oscillation, might be interpreted as a message start bit. This could cause a processor to waste valuable time attempting to service phantom messages.

The most common form of failsafe is failsafe open, with “open” referring to the condition where the Rx inputs are floating. This can occur when a network bus is cut, or if the bus connector separates from the networked device containing the Rx. Most RS-485 Rx available today incorporate this function, and it is typically accomplished via an internal pull-up resistor on the noninverting (A) input. The pull-up is sized to ensure that if the Rx inputs float, then the Rx input circuitry creates enough of a positive offset so that the Rx comparator interprets the input condition as a logic high.

The “Full-failsafe” RS-485 Receiver

An improved differential Rx includes all the features mentioned previously, plus the addition of circuitry to ensure that the Rx is failsafe if the differential input voltage (V_{ID}) is 0V (failsafe “shorted”). This condition may occur due to a cable error (e.g., crimped), a connector error (shorted pins), or in normally operating networks where multiple drivers operate on a terminated bus (multipoint network). Multipoint operation requires that all drivers be tri-statable, and there are periods of time when all drivers are simultaneously tri-stated. When this occurs, the differential termination resistor(s) causes the bus voltage to collapse to the $V_{ID} = 0V$ condition. As mentioned before, $V_{ID} = 0V$ is an undefined RS-485 level, so an Rx with only failsafe open functionality may generate erroneous start bits.

The full-failsafe Rx solves this problem by ensuring that the $V_{ID} = 0V$ condition is recognized as a logic high input, so the Rx output remains in the idle state. Full-failsafe functionality is accomplished by designing the Rx so that the minimum input high level is slightly negative (-10mV to -25mV), rather than the +200mV used for standard RS-485 and RS-422 Rx. Note that this new threshold definition remains RS-422 and RS-485 compliant.

Using Full-failsafe Receivers for LOS Detection

This full-failsafe feature can be exploited to detect the LOS bus condition. The advantage of using full failsafe receivers for LOS detection is that the $V_{ID} = 0V$ condition is now a valid input condition. If the network is set up so that a LOS causes the $V_{ID} = 0V$ condition, then the full-failsafe function can be utilized to detect the LOS.

Adding an Additional Full-failsafe Rx Allows LOS Detection

Figure 2 illustrates circuitry that can implement an LOS detection function. The transceiver block can be any RS-422 or RS-485 IC with a full-failsafe Rx (see Table 1 on page 3 for a list of Intersil full-failsafe Rx devices), and at least one termination resistor (R_T) is required to collapse the bus voltage when the bus is not actively driven. Adding a second full-failsafe Rx, with its inputs connected opposite to those of the primary Rx, enables the LOS circuit to distinguish between the $V_{ID} = 0V$ bus state and the normal Data = 1 bus state. When the bus is actively driven, RXD and \overline{RXD} will be in opposite states (see Figure 3). The only time that RXD and \overline{RXD} are in the same state is when the bus voltage is 0V, because both Rx interpret this as a logic high input. ANDING the two Rx outputs yields an active high LOS signal (see Figure 4). Propagation delay differences (skews) between the transceiver Rx and the secondary Rx may cause glitches on the LOS signal. Adding a low pass filter (R_F and C_F in Figure 2) filters out these glitches.

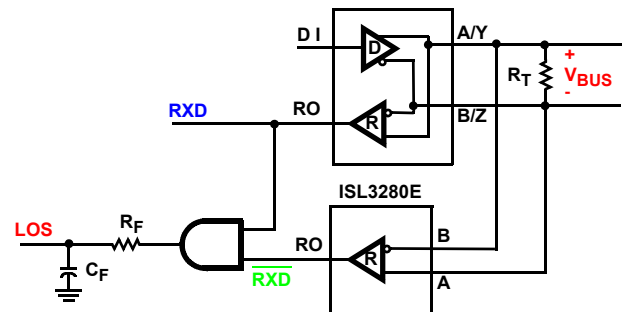


FIGURE 2. LOS DETECTION CIRCUIT

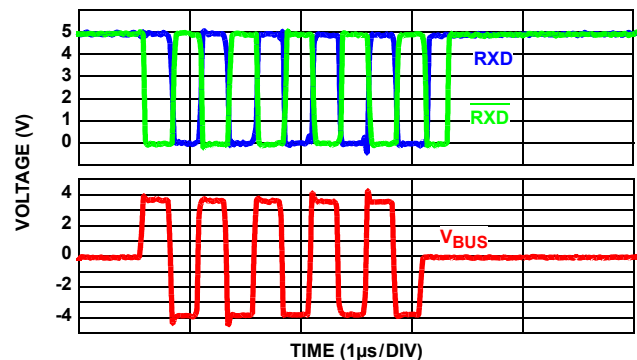


FIGURE 3. RX OUTPUT VOLTAGES RELATIVE TO THE BUS VOLTAGE

A good choice for the secondary Rx is the ISL3280E. It is a single Rx in a micro package (5 Ld SOT-23), has the required full-failsafe function, operates up to 20Mbps and features IEC61000-4-2 ESD levels. Additionally, the 3V to 5V supply range, and the -40°C to +125°C operating temperature range allow for the ISL3280Es use in most RS-485 and RS-422 applications.

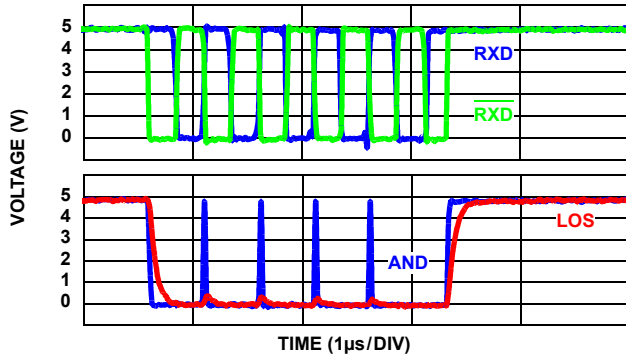


FIGURE 4. AND GATE OUTPUT AND FILTERED LOS INDICATOR SIGNAL

LOS Detect May Not Work for All Rx

Even if present at each full-failsafe Rx node, the LOS detect circuit may not properly indicate all the possible LOS conditions. As previously mentioned, a termination resistor is required to force the $V_{ID} = 0V$ condition that indicates a LOS. Unfortunately, the RS-422 standard allows only one termination resistor on the bus, and the RS-485 standard allows only two. Thus, only one or two of the LOS detectors can have the termination resistors. This is fine for the case where a multidrop (only one driver on network with multiple receivers) network loses power to the driver, as the one termination resistor forces the $V_{ID} = 0V$ on the whole bus, and thus on each Rx input. But if an Rx without the termination resistor becomes disconnected from the bus, its V_{ID} may not be 0V, so the LOS circuit may not indicate the LOS condition. A possible solution is to include a larger value (e.g., 1k Ω) resistor across the inputs of all the Rx that don't have termination resistors. Whether or not this is acceptable depends on the transceiver family used, the criticality of the termination resistance value (slow, slew rate limited transceivers aren't as termination sensitive), and the number of nodes on the network.

Multipoint systems offer another challenge. As mentioned previously, there are multiple drivers on the bus, so there are periods of inactivity when one driver disables before another enables. If the idle period is long enough, the bus voltage might collapse to 0V, causing the LOS to momentarily activate. If this is a problem, then the user might have to implement a timing circuit to ensure that the LOS signal has been active long enough to indicate a real LOS condition.

Intersil Full-failsafe Transceiver Families

Intersil offers a wide range of full-failsafe RS-485/RS-422 transceiver families and receiver only ICs, as shown in [Table 1](#). Most of the transceiver families include half and full duplex configurations, and a variety of data rates including slew rate limited versions for low data rate applications.

TABLE 1. INTERSIL RS-422/RS-485 FULL-FAILSAFE RECEIVER FAMILIES

PART NUMBER	TYPE	V _{CC} (V)	ESD LEVEL
ISL83080E-88E	Transceivers	5	15kV HBM
ISL83070E-78E	Transceivers	3.3	15kV HBM
ISL3150E-59E	Transceivers	5	15kV IEC
ISL3170E-79E	Transceivers	3.3	15kV IEC
ISL32470E-78E ISL32490E-98E	$\pm 60V$ Fault Protected Transceivers	5	16.5kV HBM
ISL32450E-57E	$\pm 60V$ Fault Protected Transceivers	3.3, 5	15kV HBM
ISL3280E-84E	Receiver Only	3.3, 5	16.5kV IEC

Conclusion

A Loss of Signal (LOS) indicator may be useful for communication systems, but a standard RS-485 transceiver is ill suited to detect the LOS condition. If the RS-485 network utilizes transceivers with full-failsafe receivers, then additional circuitry can be added to implement the LOS detector.

Notice

1. Descriptions of circuits, software and other related information in this document are provided only to illustrate the operation of semiconductor products and application examples. You are fully responsible for the incorporation or any other use of the circuits, software, and information in the design of your product or system. Renesas Electronics disclaims any and all liability for any losses and damages incurred by you or third parties arising from the use of these circuits, software, or information.
2. Renesas Electronics hereby expressly disclaims any warranties against and liability for infringement or any other claims involving patents, copyrights, or other intellectual property rights of third parties, by or arising from the use of Renesas Electronics products or technical information described in this document, including but not limited to, the product data, drawings, charts, programs, algorithms, and application examples.
3. No license, express, implied or otherwise, is granted hereby under any patents, copyrights or other intellectual property rights of Renesas Electronics or others.
4. You shall not alter, modify, copy, or reverse engineer any Renesas Electronics product, whether in whole or in part. Renesas Electronics disclaims any and all liability for any losses or damages incurred by you or third parties arising from such alteration, modification, copying or reverse engineering.
5. Renesas Electronics products are classified according to the following two quality grades: "Standard" and "High Quality". The intended applications for each Renesas Electronics product depends on the product's quality grade, as indicated below.
"Standard": Computers; office equipment; communications equipment; test and measurement equipment; audio and visual equipment; home electronic appliances; machine tools; personal electronic equipment; industrial robots; etc.
"High Quality": Transportation equipment (automobiles, trains, ships, etc.); traffic control (traffic lights); large-scale communication equipment; key financial terminal systems; safety control equipment; etc.
Unless expressly designated as a high reliability product or a product for harsh environments in a Renesas Electronics data sheet or other Renesas Electronics document, Renesas Electronics products are not intended or authorized for use in products or systems that may pose a direct threat to human life or bodily injury (artificial life support devices or systems; surgical implantations; etc.), or may cause serious property damage (space system; undersea repeaters; nuclear power control systems; aircraft control systems; key plant systems; military equipment; etc.). Renesas Electronics disclaims any and all liability for any damages or losses incurred by you or any third parties arising from the use of any Renesas Electronics product that is inconsistent with any Renesas Electronics data sheet, user's manual or other Renesas Electronics document.
6. When using Renesas Electronics products, refer to the latest product information (data sheets, user's manuals, application notes, "General Notes for Handling and Using Semiconductor Devices" in the reliability handbook, etc.), and ensure that usage conditions are within the ranges specified by Renesas Electronics with respect to maximum ratings, operating power supply voltage range, heat dissipation characteristics, installation, etc. Renesas Electronics disclaims any and all liability for any malfunctions, failure or accident arising out of the use of Renesas Electronics products outside of such specified ranges.
7. Although Renesas Electronics endeavors to improve the quality and reliability of Renesas Electronics products, semiconductor products have specific characteristics, such as the occurrence of failure at a certain rate and malfunctions under certain use conditions. Unless designated as a high reliability product or a product for harsh environments in a Renesas Electronics data sheet or other Renesas Electronics document, Renesas Electronics products are not subject to radiation resistance design. You are responsible for implementing safety measures to guard against the possibility of bodily injury, injury or damage caused by fire, and/or danger to the public in the event of a failure or malfunction of Renesas Electronics products, such as safety design for hardware and software, including but not limited to redundancy, fire control and malfunction prevention, appropriate treatment for aging degradation or any other appropriate measures. Because the evaluation of microcomputer software alone is very difficult and impractical, you are responsible for evaluating the safety of the final products or systems manufactured by you.
8. Please contact a Renesas Electronics sales office for details as to environmental matters such as the environmental compatibility of each Renesas Electronics product. You are responsible for carefully and sufficiently investigating applicable laws and regulations that regulate the inclusion or use of controlled substances, including without limitation, the EU RoHS Directive, and using Renesas Electronics products in compliance with all these applicable laws and regulations. Renesas Electronics disclaims any and all liability for damages or losses occurring as a result of your noncompliance with applicable laws and regulations.
9. Renesas Electronics products and technologies shall not be used for or incorporated into any products or systems whose manufacture, use, or sale is prohibited under any applicable domestic or foreign laws or regulations. You shall comply with any applicable export control laws and regulations promulgated and administered by the governments of any countries asserting jurisdiction over the parties or transactions.
10. It is the responsibility of the buyer or distributor of Renesas Electronics products, or any other party who distributes, disposes of, or otherwise sells or transfers the product to a third party, to notify such third party in advance of the contents and conditions set forth in this document.
11. This document shall not be reprinted, reproduced or duplicated in any form, in whole or in part, without prior written consent of Renesas Electronics.
12. Please contact a Renesas Electronics sales office if you have any questions regarding the information contained in this document or Renesas Electronics products.
(Note 1) "Renesas Electronics" as used in this document means Renesas Electronics Corporation and also includes its directly or indirectly controlled subsidiaries.
(Note 2) "Renesas Electronics product(s)" means any product developed or manufactured by or for Renesas Electronics.

(Rev.4.0-1 November 2017)



SALES OFFICES

Renesas Electronics Corporation

<http://www.renesas.com>

Refer to "<http://www.renesas.com/>" for the latest and detailed information.

Renesas Electronics America Inc.
1001 Murphy Ranch Road, Milpitas, CA 95035, U.S.A.
Tel: +1-408-432-8888, Fax: +1-408-434-5351

Renesas Electronics Canada Limited
9251 Yonge Street, Suite 8309 Richmond Hill, Ontario Canada L4C 9T3
Tel: +1-905-237-2004

Renesas Electronics Europe Limited
Dukes Meadow, Millboard Road, Bourne End, Buckinghamshire, SL8 5FH, U.K
Tel: +44-1628-651-700, Fax: +44-1628-651-804

Renesas Electronics Europe GmbH
Arcadiastrasse 10, 40472 Düsseldorf, Germany
Tel: +49-211-6503-0, Fax: +49-211-6503-1327

Renesas Electronics (China) Co., Ltd.
Room 1709 Quantum Plaza, No.27 ZhichunLu, Haidian District, Beijing, 100191 P. R. China
Tel: +86-10-8235-1155, Fax: +86-10-8235-7679

Renesas Electronics (Shanghai) Co., Ltd.
Unit 301, Tower A, Central Towers, 555 Langao Road, Putuo District, Shanghai, 200333 P. R. China
Tel: +86-21-2226-0888, Fax: +86-21-2226-0999

Renesas Electronics Hong Kong Limited
Unit 1601-1611, 16/F., Tower 2, Grand Century Place, 193 Prince Edward Road West, Mongkok, Kowloon, Hong Kong
Tel: +852-2265-6688, Fax: +852-2886-9022

Renesas Electronics Taiwan Co., Ltd.
13F, No. 363, Fu Shing North Road, Taipei 10543, Taiwan
Tel: +886-2-8175-9600, Fax: +886-2-8175-9670

Renesas Electronics Singapore Pte. Ltd.
80 Bendemeer Road, Unit #06-02 Hyflux Innovation Centre, Singapore 339949
Tel: +65-6213-0200, Fax: +65-6213-0300

Renesas Electronics Malaysia Sdn.Bhd.
Unit 1207, Block B, Menara Amcorp, Amcorp Trade Centre, No. 18, Jln Persiaran Barat, 46050 Petaling Jaya, Selangor Darul Ehsan, Malaysia
Tel: +60-3-7955-9390, Fax: +60-3-7955-9510

Renesas Electronics India Pvt. Ltd.
No.777C, 100 Feet Road, HAL 2nd Stage, Indiranagar, Bangalore 560 038, India
Tel: +91-80-67208700, Fax: +91-80-67208777

Renesas Electronics Korea Co., Ltd.
17F, KAMCO Yangjae Tower, 262, Gangnam-daero, Gangnam-gu, Seoul, 06265 Korea
Tel: +82-2-558-3737, Fax: +82-2-558-5338