

Introduction

Intersil's nonvolatile 3-wire "Up/Down" interface DCPs recall the wiper position from internal EEPROM on power-up. To change the wiper position and to store a new default wiper setting, they use INC, U/D, and CS pins. The INC and CS signals are also NORed together, internally, to generate an enable signal for the internal wiper decoder as shown in [Figure 1](#). Casual treatment of the $\overline{\text{INC}}$ and $\overline{\text{CS}}$ control signals on power-up can lead to inadvertent store operations, "walking wipers" and other unexpected results.

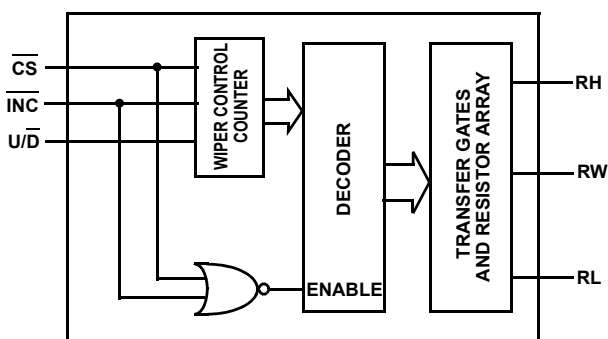


FIGURE 1. 3-WIRE DEVICE INTERNAL CONTROL LOGIC

Default Wiper Positions

On power-up, before the DCP recalls its wiper position, the wiper is at an unknown state. Usually it is at the low end of the wiper string. When the supply voltage reaches a certain level, the device recalls the wiper position from internal EEPROM cells. The factory default wiper positions are shown in [Table 1](#).

TABLE 1. DCP FACTORY DEFAULT WIPER POSITIONS

| DCP DEVICE | NUMBER OF TAPS | DEFAULT WIPER POSITION |
|------------|----------------|------------------------|
| X9116 | 16 | Tap 7 |
| X9C102 | 100 | Tap 0 |
| X9C103 | 100 | |
| X9C104 | 100 | |
| X9C503 | 100 | |
| X9312 | 32 | |
| X9313 | 32 | |
| X9315 | 32 | |
| X9318 | 100 | |
| X9319 | 100 | |
| X93154 | 32 | |
| X93155 | 32 | |
| X93156 | 32 | |
| X93254 | 32 | |
| X93255 | 32 | |
| X93256 | 23 | |
| X9317 | 100 | Tap 99 |

Walking Wiper

Without careful connection of the $\overline{\text{INC}}$ and $\overline{\text{CS}}$ pins a circuit can exhibit a characteristic called "walking wiper". This phenomenon appears as an automatic increment or decrement of the wiper on power-up, after the nonvolatile wiper setting has been recalled. If both the $\overline{\text{CS}}$ and $\overline{\text{INC}}$ pins are deemed LOW by the device during power-up, a condition exists that is sufficient to cause the wiper to move one position from its recalled wiper value, either up or down, depending on the state of the U/D pin.

Normal, controlled, movement of the wiper requires the $\overline{\text{INC}}$ pin to be "clocked" from HIGH to LOW, while $\overline{\text{CS}}$ is LOW. The walking wiper condition typically occurs when the $\overline{\text{CS}}$ and $\overline{\text{INC}}$ pins are tied to a microcontroller or programmable logic device that have outputs, which float during power-up (in which case they might be detected as LOW) or if the outputs are tied or held LOW on power-up.

In the worst case condition, $\overline{\text{CS}}$ and $\overline{\text{INC}}$ are left floating on power-up and pick up noise from the system. In this case, the device might actually "see" the $\overline{\text{INC}}$ line toggling, with respect to $\overline{\text{CS}}$ even though there is very little actual movement to the inputs. To the outside observer, the wiper might seem to recall to the high or low end of the resistor string, when in actuality it recalls to the nonvolatile position, then "walks" to one end as a result of the floating inputs.

To reduce the possibility of a walking wiper, we recommend a pull-up on at least the $\overline{\text{CS}}$ pin. Also, if possible, make sure the microcontroller or programmable logic device does not set both outputs low when it receives power.

Unexpected Wiper Movement

The $\overline{\text{INC}}$ pin can be pulled either HIGH or LOW as a default and still have a circuit that operates properly. However, for wiper movement on these devices, $\overline{\text{INC}}$ and $\overline{\text{CS}}$ are interchangeable. That means that holding $\overline{\text{CS}}$ LOW and clocking $\overline{\text{INC}}$ will work the same as holding $\overline{\text{INC}}$ LOW and clocking $\overline{\text{CS}}$. So, if $\overline{\text{INC}}$ is LOW as a default, when $\overline{\text{CS}}$ goes LOW to select the device, the wiper will move one tap. If $\overline{\text{INC}}$ is normally LOW, be careful to set $\overline{\text{INC}}$ HIGH before changing $\overline{\text{CS}}$ from HIGH to LOW.

Inadvertent Store Operations

A third unexpected condition is an inadvertent store operation. It is important to remember that $\overline{\text{CS}}$ going from LOW to HIGH, while $\overline{\text{INC}}$ is HIGH, initiates the store wiper position mode. This initiates the nonvolatile store operation, which requires several milliseconds to complete. As long as $\overline{\text{CS}}$ and $\overline{\text{INC}}$ are normally HIGH, in the quiescent state, the device won't see a LOW to HIGH transition on $\overline{\text{CS}}$ during power-up or power-down conditions. This prevents the triggering of any unexpected wiper storage modes.

If wiper storage is not required for any reason, hold $\overline{\text{INC}}$ LOW while allowing $\overline{\text{CS}}$ to transition from LOW to HIGH. Once $\overline{\text{CS}}$ is HIGH, then $\overline{\text{INC}}$ can go HIGH without a store operation.

An additional condition that can lead to inadvertent EEPROM write operations occurs when the control lines \overline{CS} and \overline{INC} are pulled up, or powered by, a power supply separate from the DCP power supply. In this configuration, it is possible that \overline{CS} and \overline{INC} are powered, while the VCC pin is not. This has been known to cause wiper recall problems. Therefore, it is best to design the circuit so the control lines are powered only when the device is powered.

Recommendations

The recommendation is to keep \overline{CS} and \overline{INC} normally HIGH by using pull-up resistors to VCC on both pins. For most applications a 10k Ω pull-up resistor provides a good tradeoff between a solid pull-up condition, low power operation, and compatibility with microcontroller drivers. A 0.1 μ F bypass capacitor can also help reduce wiper movement in noisy environments (See [Figure 2](#)).

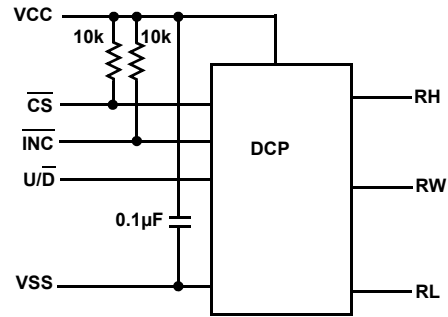


FIGURE 2. 3-WIRE RECOMMENDED EXTERNAL CONNECTIONS

Notice

1. Descriptions of circuits, software and other related information in this document are provided only to illustrate the operation of semiconductor products and application examples. You are fully responsible for the incorporation or any other use of the circuits, software, and information in the design of your product or system. Renesas Electronics disclaims any and all liability for any losses and damages incurred by you or third parties arising from the use of these circuits, software, or information.
2. Renesas Electronics hereby expressly disclaims any warranties against and liability for infringement or any other claims involving patents, copyrights, or other intellectual property rights of third parties, by or arising from the use of Renesas Electronics products or technical information described in this document, including but not limited to, the product data, drawings, charts, programs, algorithms, and application examples.
3. No license, express, implied or otherwise, is granted hereby under any patents, copyrights or other intellectual property rights of Renesas Electronics or others.
4. You shall not alter, modify, copy, or reverse engineer any Renesas Electronics product, whether in whole or in part. Renesas Electronics disclaims any and all liability for any losses or damages incurred by you or third parties arising from such alteration, modification, copying or reverse engineering.
5. Renesas Electronics products are classified according to the following two quality grades: "Standard" and "High Quality". The intended applications for each Renesas Electronics product depends on the product's quality grade, as indicated below.
"Standard": Computers; office equipment; communications equipment; test and measurement equipment; audio and visual equipment; home electronic appliances; machine tools; personal electronic equipment; industrial robots; etc.
"High Quality": Transportation equipment (automobiles, trains, ships, etc.); traffic control (traffic lights); large-scale communication equipment; key financial terminal systems; safety control equipment; etc.
Unless expressly designated as a high reliability product or a product for harsh environments in a Renesas Electronics data sheet or other Renesas Electronics document, Renesas Electronics products are not intended or authorized for use in products or systems that may pose a direct threat to human life or bodily injury (artificial life support devices or systems; surgical implantations; etc.), or may cause serious property damage (space system; undersea repeaters; nuclear power control systems; aircraft control systems; key plant systems; military equipment; etc.). Renesas Electronics disclaims any and all liability for any damages or losses incurred by you or any third parties arising from the use of any Renesas Electronics product that is inconsistent with any Renesas Electronics data sheet, user's manual or other Renesas Electronics document.
6. When using Renesas Electronics products, refer to the latest product information (data sheets, user's manuals, application notes, "General Notes for Handling and Using Semiconductor Devices" in the reliability handbook, etc.), and ensure that usage conditions are within the ranges specified by Renesas Electronics with respect to maximum ratings, operating power supply voltage range, heat dissipation characteristics, installation, etc. Renesas Electronics disclaims any and all liability for any malfunctions, failure or accident arising out of the use of Renesas Electronics products outside of such specified ranges.
7. Although Renesas Electronics endeavors to improve the quality and reliability of Renesas Electronics products, semiconductor products have specific characteristics, such as the occurrence of failure at a certain rate and malfunctions under certain use conditions. Unless designated as a high reliability product or a product for harsh environments in a Renesas Electronics data sheet or other Renesas Electronics document, Renesas Electronics products are not subject to radiation resistance design. You are responsible for implementing safety measures to guard against the possibility of bodily injury, injury or damage caused by fire, and/or danger to the public in the event of a failure or malfunction of Renesas Electronics products, such as safety design for hardware and software, including but not limited to redundancy, fire control and malfunction prevention, appropriate treatment for aging degradation or any other appropriate measures. Because the evaluation of microcomputer software alone is very difficult and impractical, you are responsible for evaluating the safety of the final products or systems manufactured by you.
8. Please contact a Renesas Electronics sales office for details as to environmental matters such as the environmental compatibility of each Renesas Electronics product. You are responsible for carefully and sufficiently investigating applicable laws and regulations that regulate the inclusion or use of controlled substances, including without limitation, the EU RoHS Directive, and using Renesas Electronics products in compliance with all these applicable laws and regulations. Renesas Electronics disclaims any and all liability for damages or losses occurring as a result of your noncompliance with applicable laws and regulations.
9. Renesas Electronics products and technologies shall not be used for or incorporated into any products or systems whose manufacture, use, or sale is prohibited under any applicable domestic or foreign laws or regulations. You shall comply with any applicable export control laws and regulations promulgated and administered by the governments of any countries asserting jurisdiction over the parties or transactions.
10. It is the responsibility of the buyer or distributor of Renesas Electronics products, or any other party who distributes, disposes of, or otherwise sells or transfers the product to a third party, to notify such third party in advance of the contents and conditions set forth in this document.
11. This document shall not be reprinted, reproduced or duplicated in any form, in whole or in part, without prior written consent of Renesas Electronics.
12. Please contact a Renesas Electronics sales office if you have any questions regarding the information contained in this document or Renesas Electronics products.
(Note 1) "Renesas Electronics" as used in this document means Renesas Electronics Corporation and also includes its directly or indirectly controlled subsidiaries.
(Note 2) "Renesas Electronics product(s)" means any product developed or manufactured by or for Renesas Electronics.

(Rev.4.0-1 November 2017)



SALES OFFICES

Renesas Electronics Corporation

<http://www.renesas.com>

Refer to "<http://www.renesas.com/>" for the latest and detailed information.

Renesas Electronics America Inc.
1001 Murphy Ranch Road, Milpitas, CA 95035, U.S.A.
Tel: +1-408-432-8888, Fax: +1-408-434-5351

Renesas Electronics Canada Limited
9251 Yonge Street, Suite 8309 Richmond Hill, Ontario Canada L4C 9T3
Tel: +1-905-237-2004

Renesas Electronics Europe Limited
Dukes Meadow, Millboard Road, Bourne End, Buckinghamshire, SL8 5FH, U.K
Tel: +44-1628-651-700, Fax: +44-1628-651-804

Renesas Electronics Europe GmbH
Arcadiastrasse 10, 40472 Düsseldorf, Germany
Tel: +49-211-6503-0, Fax: +49-211-6503-1327

Renesas Electronics (China) Co., Ltd.
Room 1709 Quantum Plaza, No.27 ZhichunLu, Haidian District, Beijing, 100191 P. R. China
Tel: +86-10-8235-1155, Fax: +86-10-8235-7679

Renesas Electronics (Shanghai) Co., Ltd.
Unit 301, Tower A, Central Towers, 555 Langao Road, Putuo District, Shanghai, 200333 P. R. China
Tel: +86-21-2226-0888, Fax: +86-21-2226-0999

Renesas Electronics Hong Kong Limited
Unit 1601-1611, 16/F., Tower 2, Grand Century Place, 193 Prince Edward Road West, Mongkok, Kowloon, Hong Kong
Tel: +852-2265-6688, Fax: +852-2886-9022

Renesas Electronics Taiwan Co., Ltd.
13F, No. 363, Fu Shing North Road, Taipei 10543, Taiwan
Tel: +886-2-8175-9600, Fax: +886-2-8175-9670

Renesas Electronics Singapore Pte. Ltd.
80 Bendemeer Road, Unit #06-02 Hyflux Innovation Centre, Singapore 339949
Tel: +65-6213-0200, Fax: +65-6213-0300

Renesas Electronics Malaysia Sdn.Bhd.
Unit 1207, Block B, Menara Amcorp, Amcorp Trade Centre, No. 18, Jln Persiaran Barat, 46050 Petaling Jaya, Selangor Darul Ehsan, Malaysia
Tel: +60-3-7955-9390, Fax: +60-3-7955-9510

Renesas Electronics India Pvt. Ltd.
No.777C, 100 Feet Road, HAL 2nd Stage, Indiranagar, Bangalore 560 038, India
Tel: +91-80-67208700, Fax: +91-80-67208777

Renesas Electronics Korea Co., Ltd.
17F, KAMCO Yangjae Tower, 262, Gangnam-daero, Gangnam-gu, Seoul, 06265 Korea
Tel: +82-2-558-3737, Fax: +82-2-558-5338