
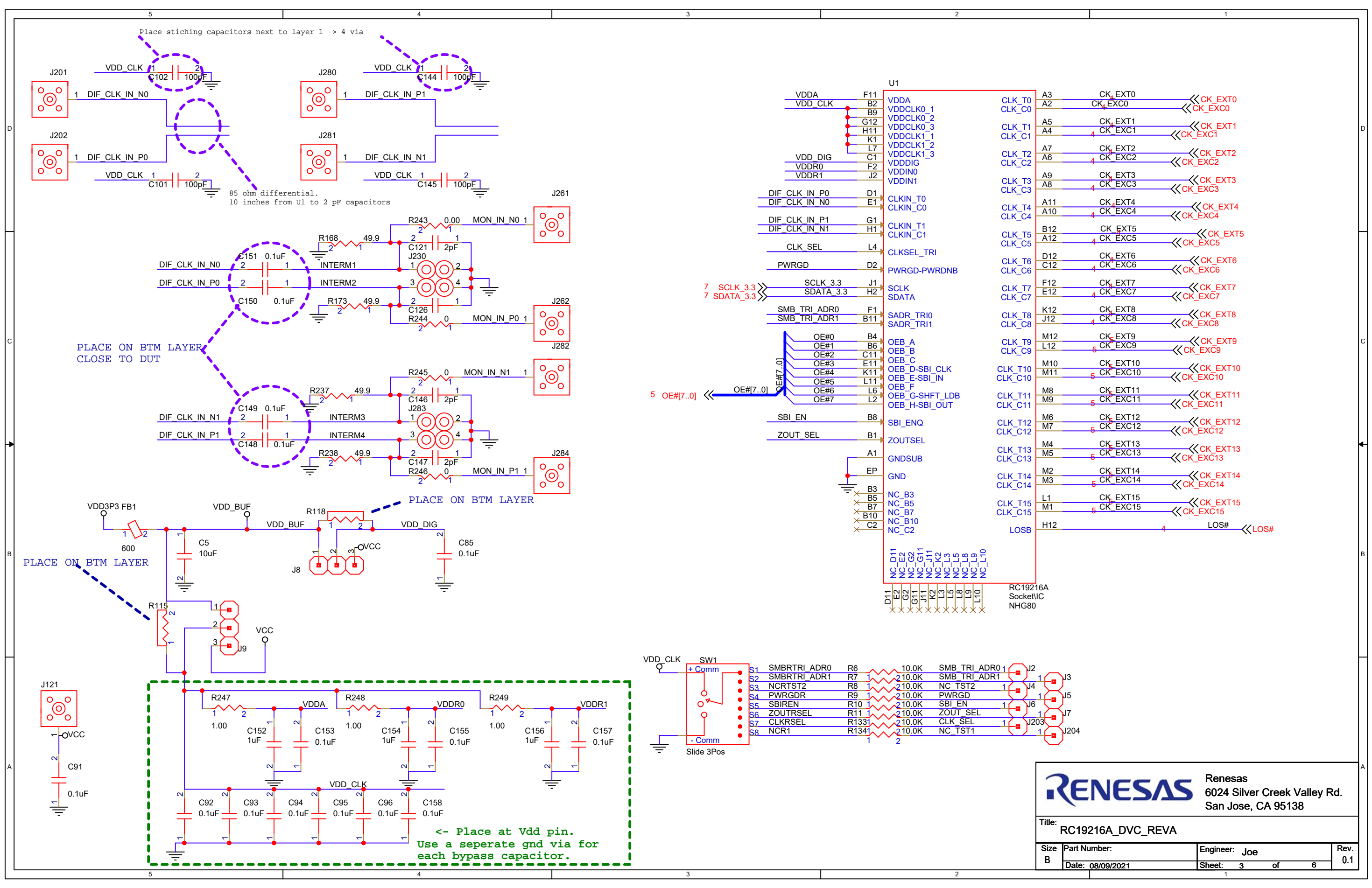


RC19216A_DVC_REVA

		Renesas 6024 Silver Creek Valley Rd. San Jose, CA 95138	
Title: RC19216A_DVC_REVA 85 ohm			
Size B	Part Number:	Engineer: LOU POITRAS	Rev. A.5
	Date: 08/09/2021	Sheet: 1 of 6	

REV.	DESCRIPTION	DATE	ENGINEER

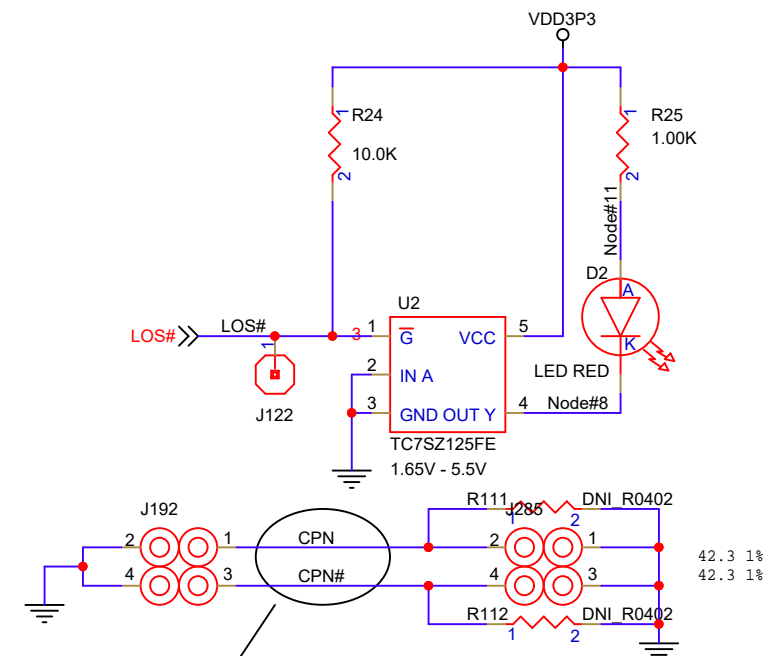
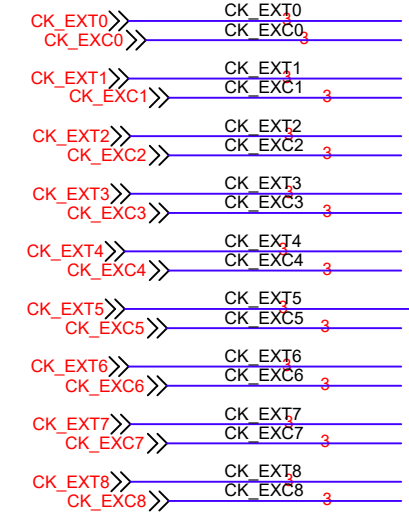
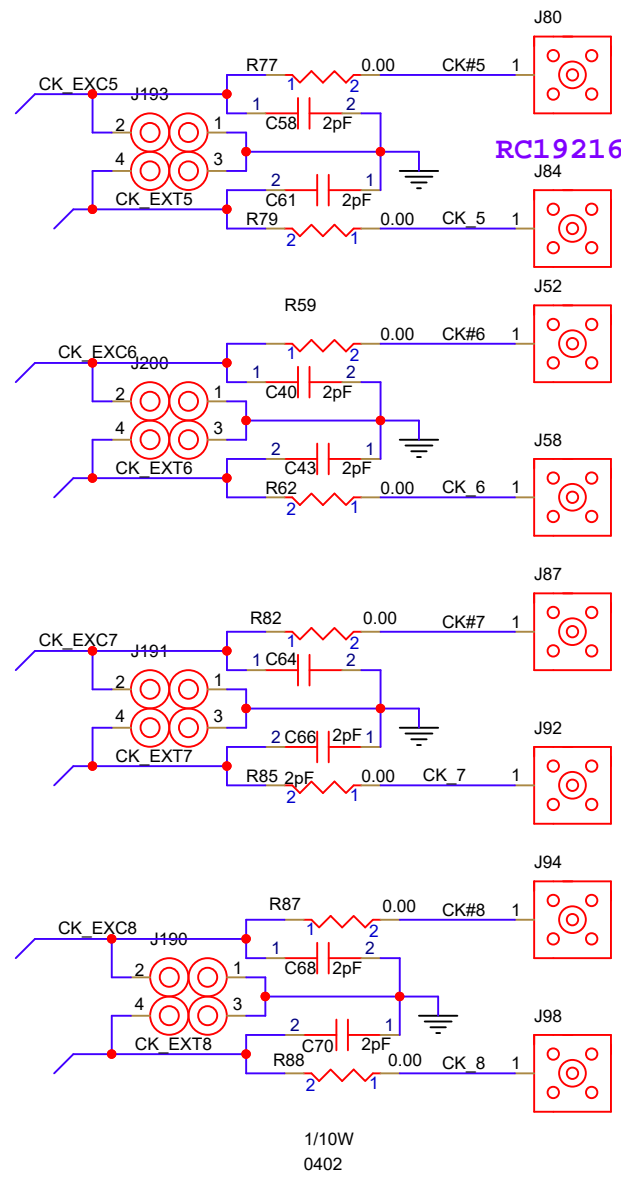
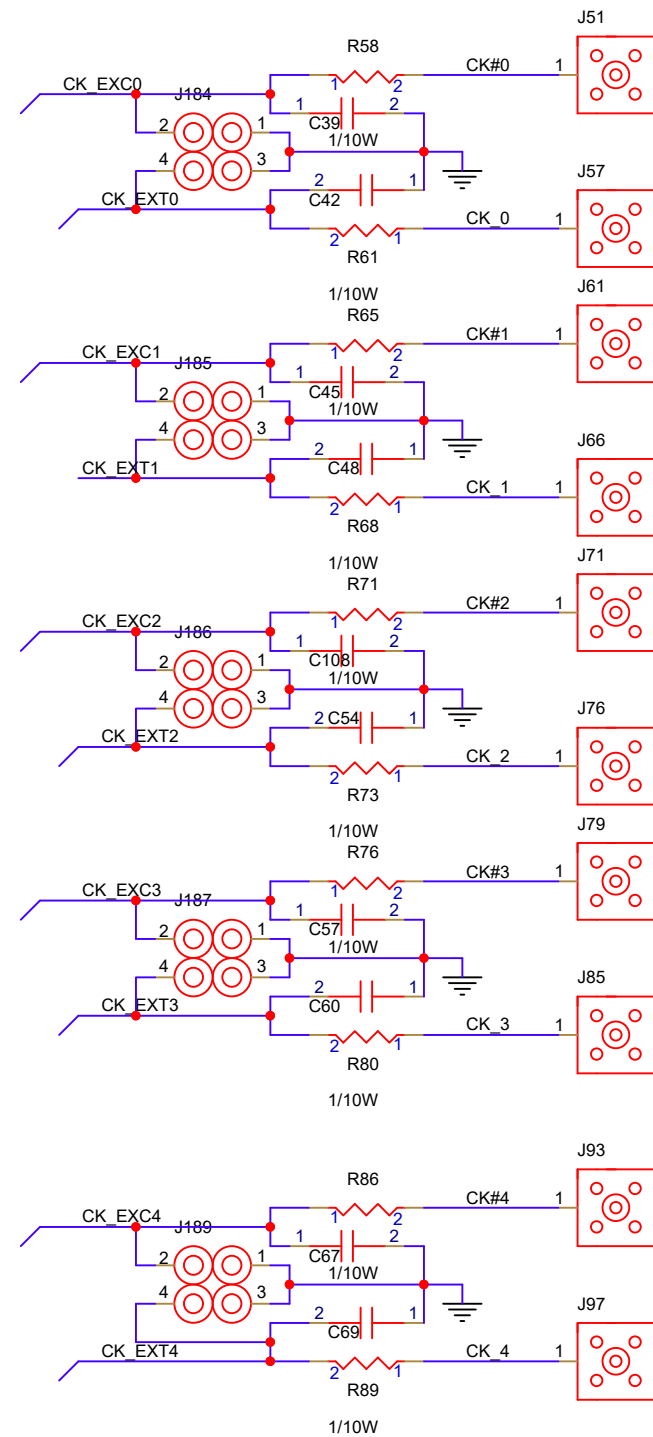
 RENESAS Renesas 6024 Silver Creek Valley Rd. San Jose, CA 95138			
Title: RC19216A_DVC_REVA			
Size	Part Number:	Engineer: Joe	Rev.
B	Date: 08/09/2021	Sheet: 2 of 6	0.1



RENESAS Renesas
 6024 Silver Creek Valley Rd.
 San Jose, CA 95138

Title: RC19216A_DVC_REVA

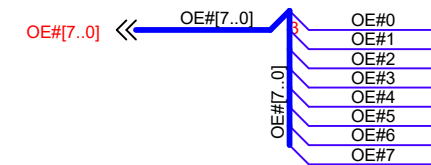
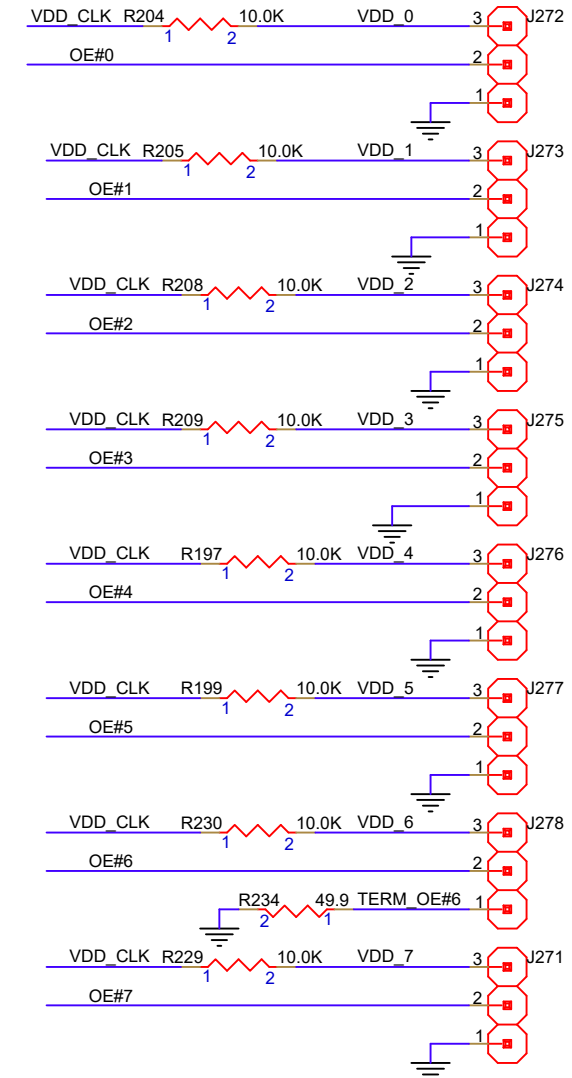
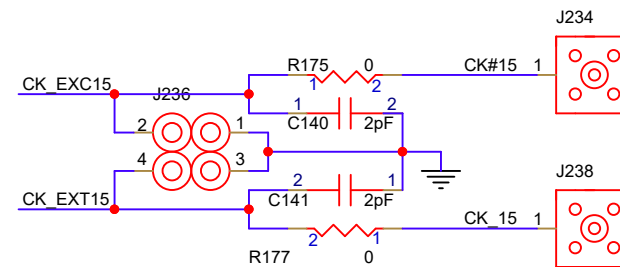
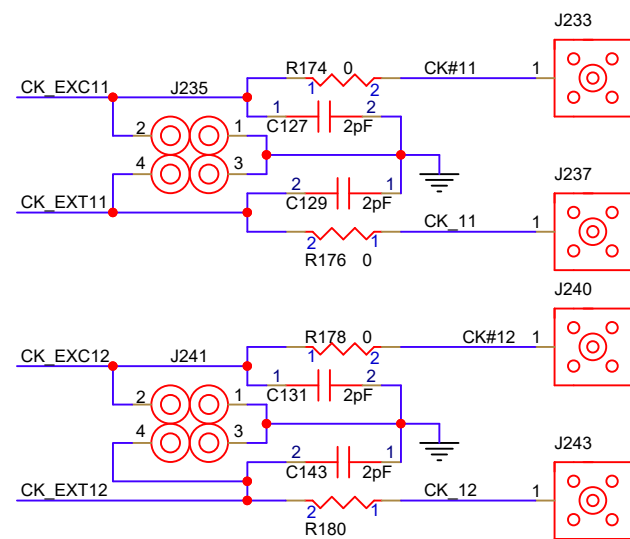
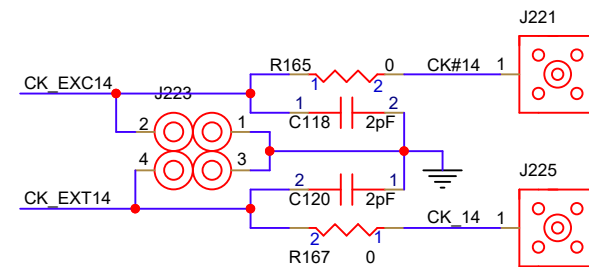
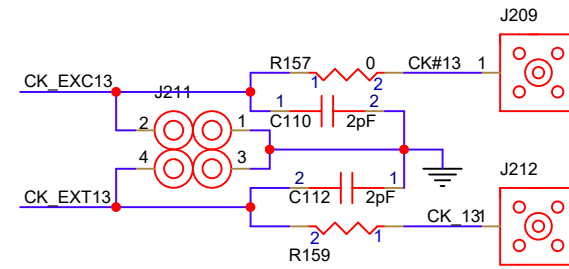
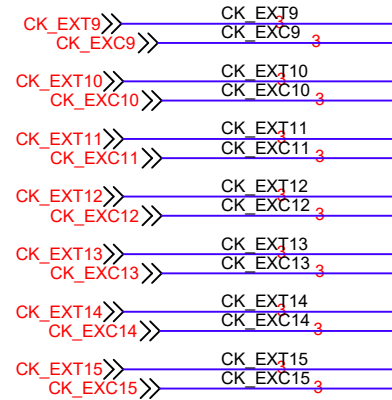
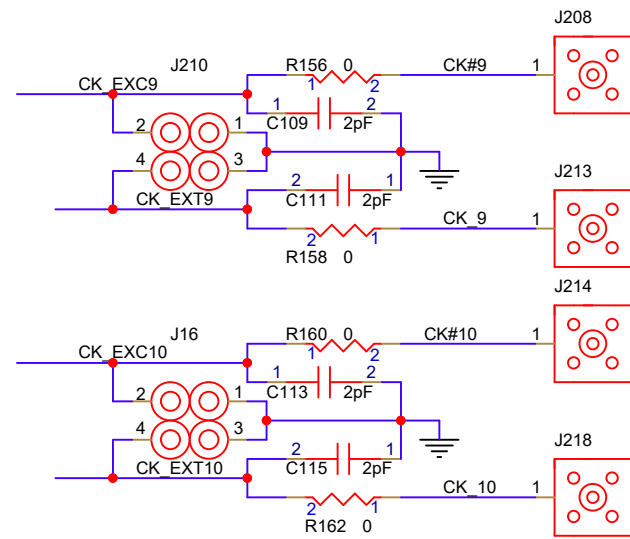
Size B	Part Number:	Engineer: Joe	Rev. 0.1
	Date: 08/09/2021	Sheet: 3 of 6	



ALL DIFFERENTIAL TRACES 85 OHM DIFFERENTIAL
10 INCH MICROSTRIP FROM U1 TO 2 pF CAPS

RENESAS		Renesas 6024 Silver Creek Valley Rd. San Jose, CA 95138	
Title: RC19216A_DVC_REVA			
Size B	Part Number:	Engineer: Joe	Rev. 0.1
	Date: 08/09/2021	Sheet: 4 of 7	

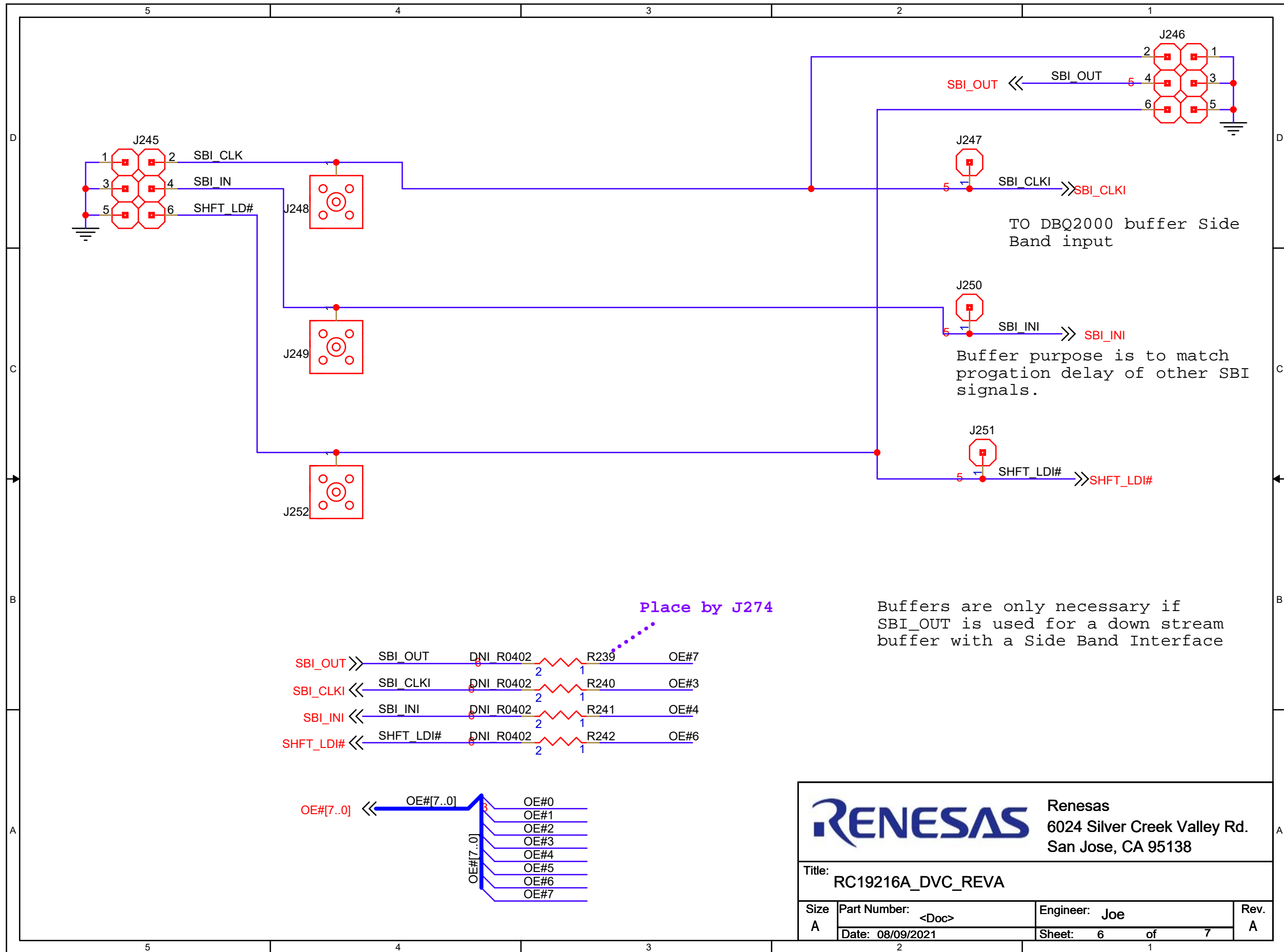
3 VDD_CLK << VDD_CLK

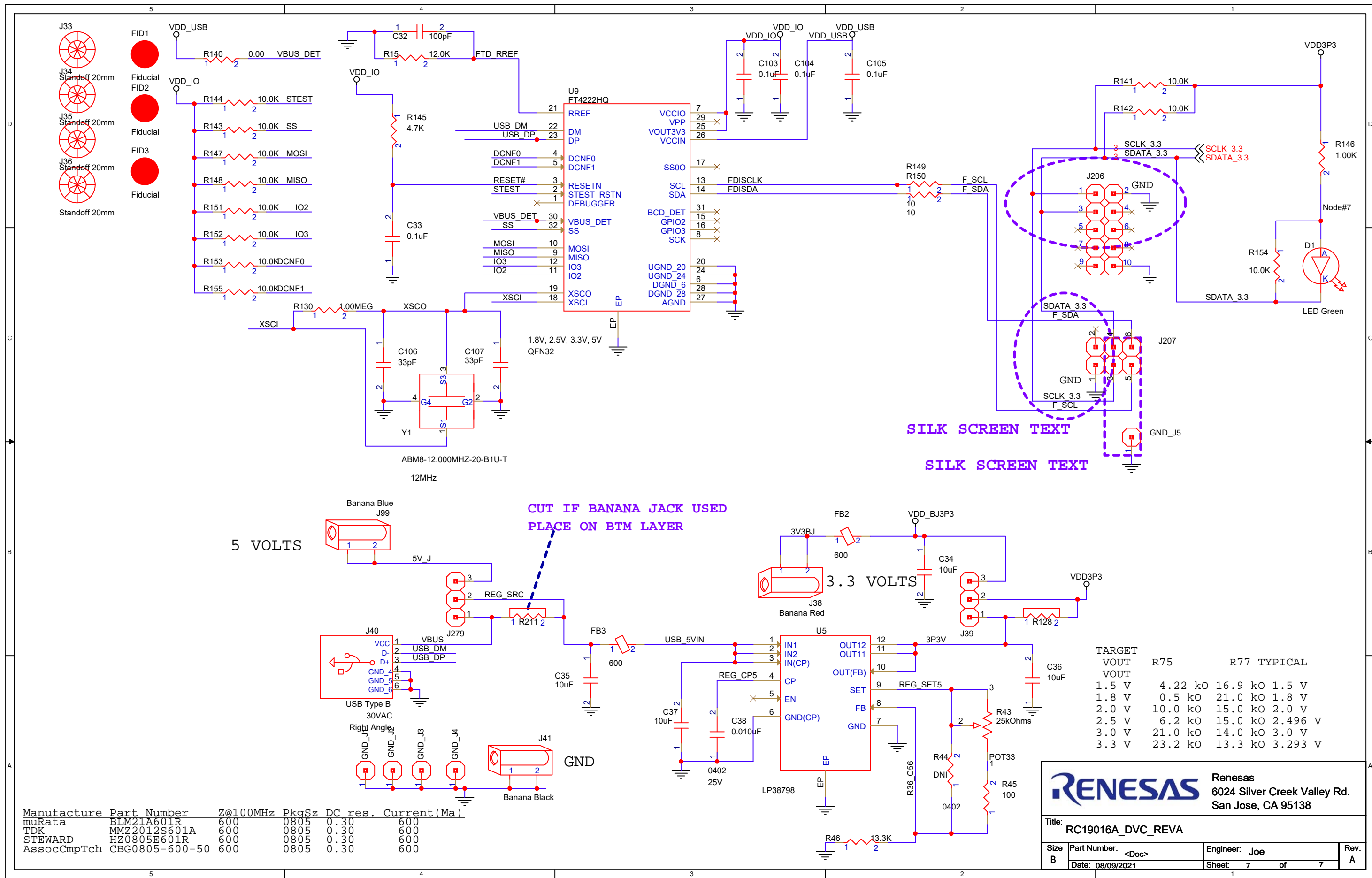


RENESAS Renesas
 6024 Silver Creek Valley Rd.
 San Jose, CA 95138

Title: RC19216A_DVC_REVA

Size B	Part Number: <Doc>	Engineer: Joe	Rev. A
	Date: 08/09/2021	Sheet: 5 of 7	





CUT IF BANANA JACK USED
PLACE ON BTM LAYER

SILK SCREEN TEXT
SILK SCREEN TEXT

TARGET VOUT	R75	R77 TYPICAL	V
1.5 V	4.22 kΩ	16.9 kΩ	1.5 V
1.8 V	0.5 kΩ	21.0 kΩ	1.8 V
2.0 V	10.0 kΩ	15.0 kΩ	2.0 V
2.5 V	6.2 kΩ	15.0 kΩ	2.496 V
3.0 V	21.0 kΩ	14.0 kΩ	3.0 V
3.3 V	23.2 kΩ	13.3 kΩ	3.293 V

Manufacture	Part Number	Z@100MHz	PkgSz	DC res.	Current (Ma)
muRata	BLM21A601R	600	0805	0.30	600
TDK	MMZ2012S601A	600	0805	0.30	600
STEWART	HZ0805E601R	600	0805	0.30	600
AssocCmpTch	CBG0805-600-50	600	0805	0.30	600

RENESAS Renesas
6024 Silver Creek Valley Rd.
San Jose, CA 95138

Title: RC19016A_DVC_REVA

Size B	Part Number: <Doc>	Engineer: Joe	Rev. A
	Date: 08/09/2021	Sheet: 7 of 7	