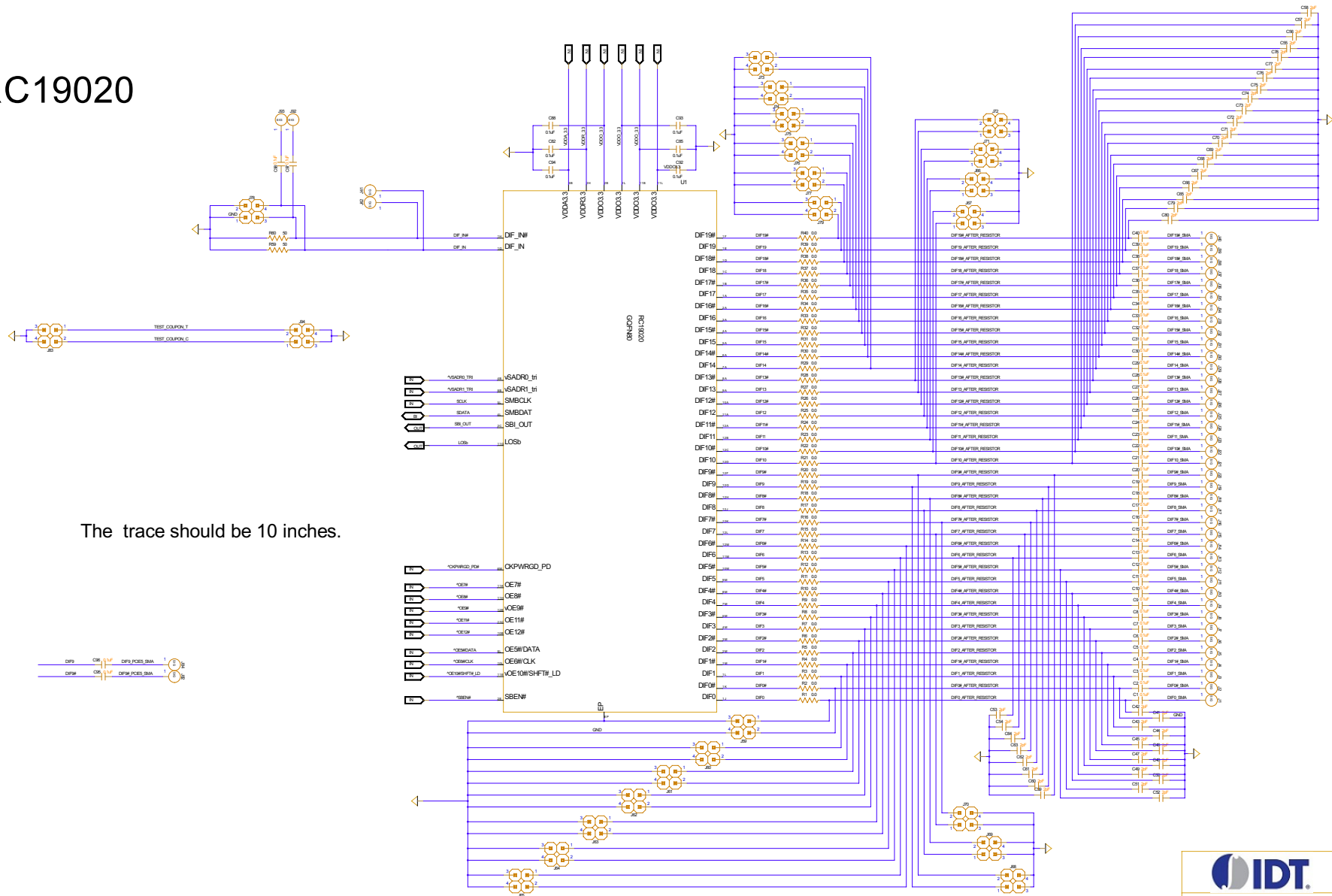
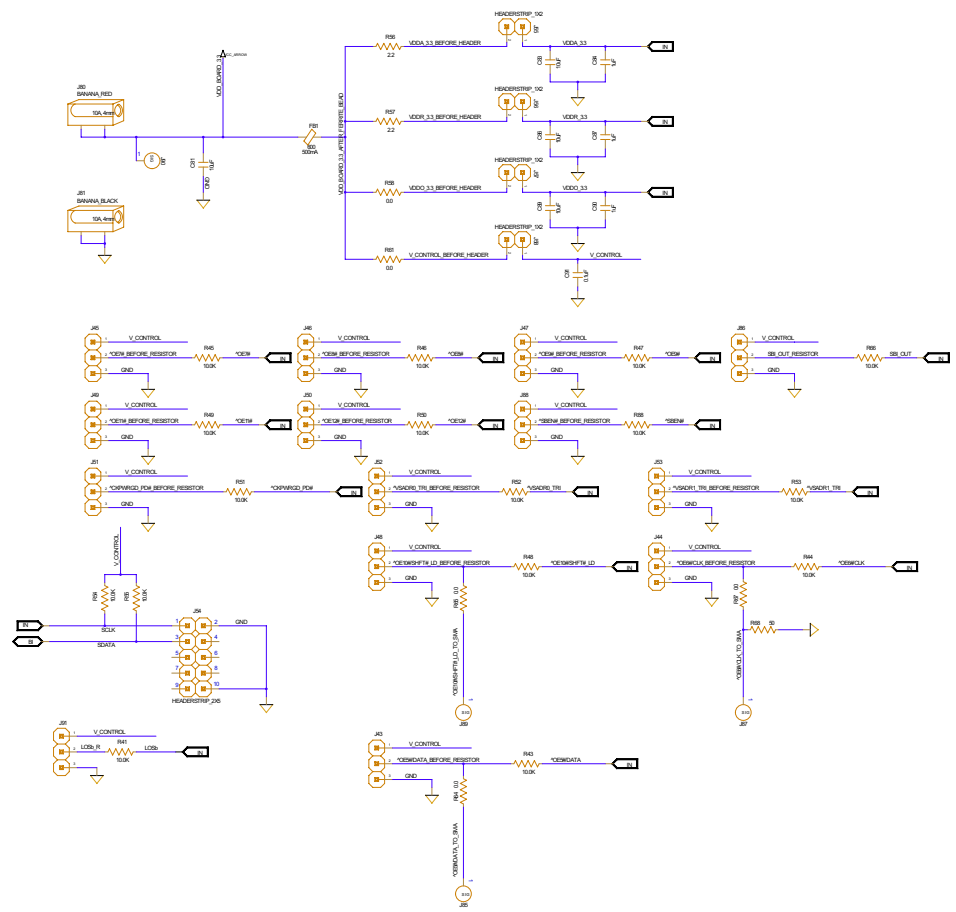


RC19020



The trace should be 10 inches.



		Drawing		REV
		Revision: Joe Date: 5/10/2021 Author: Gerry Zimmerman	Part: Rsp2001_ahngl_dnc_rev Date: 5/10/2021 Author: DVC	