

RL78/G15 First Prototyping Board Schematic

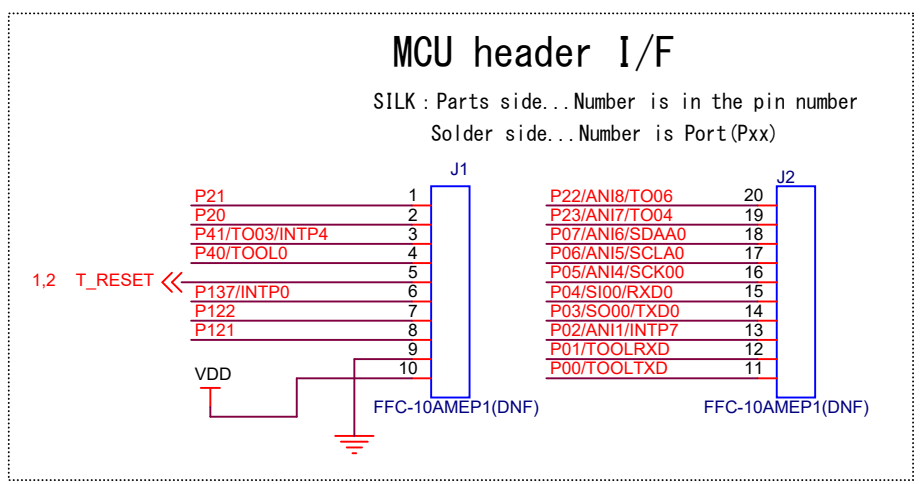
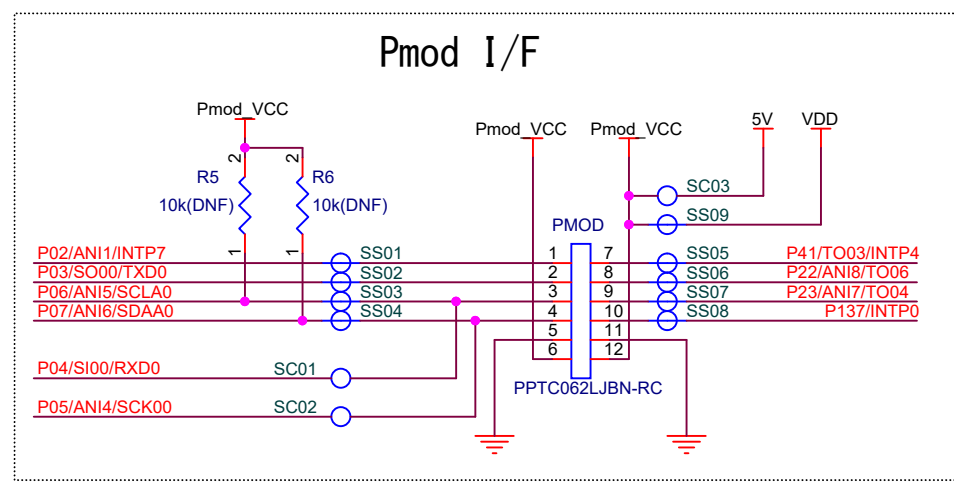
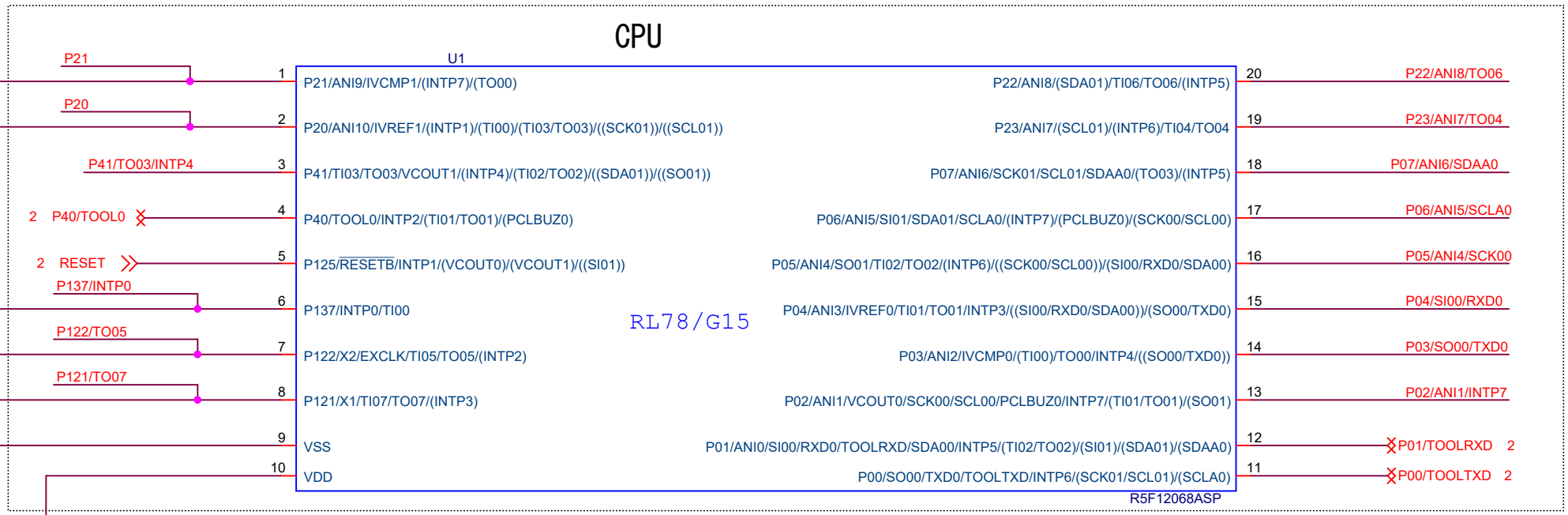
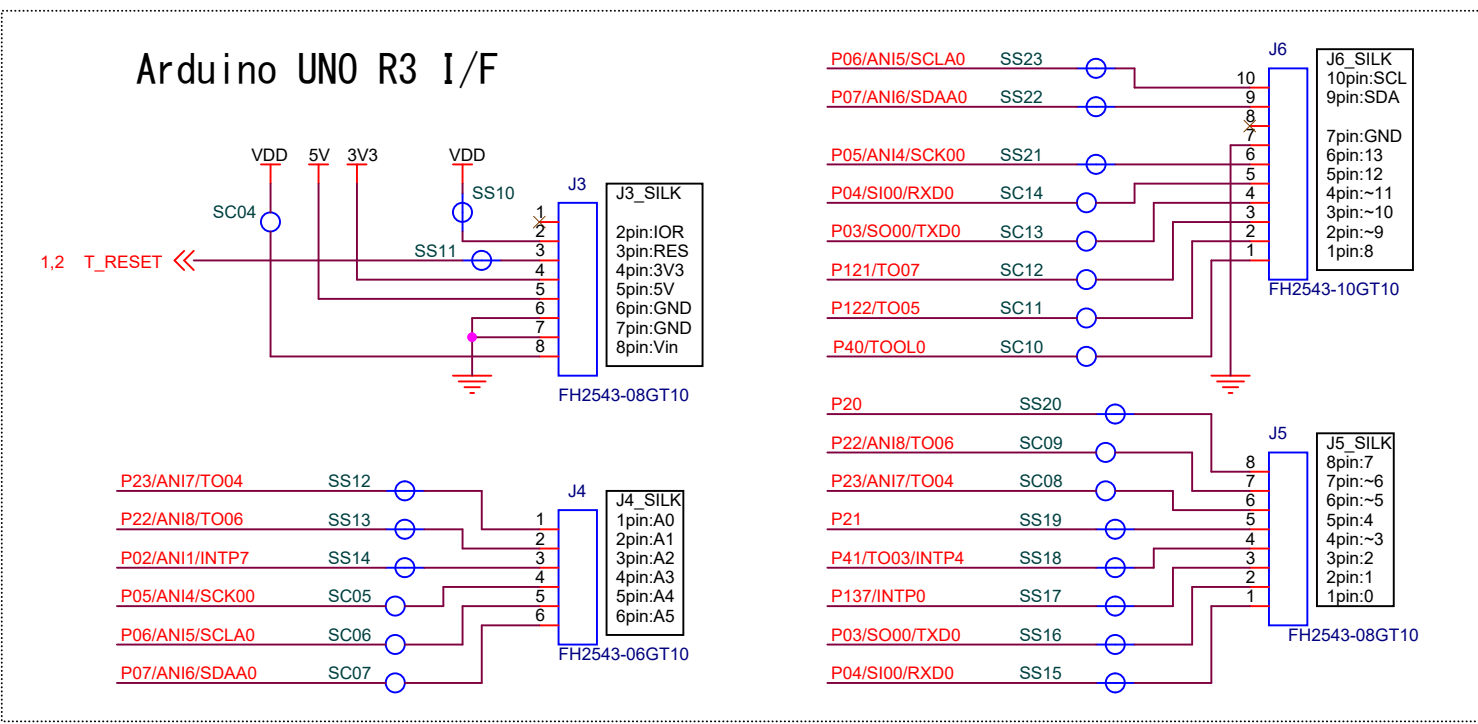
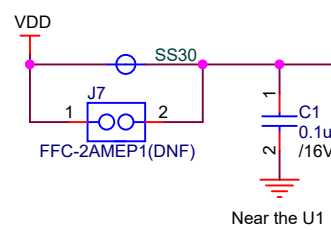
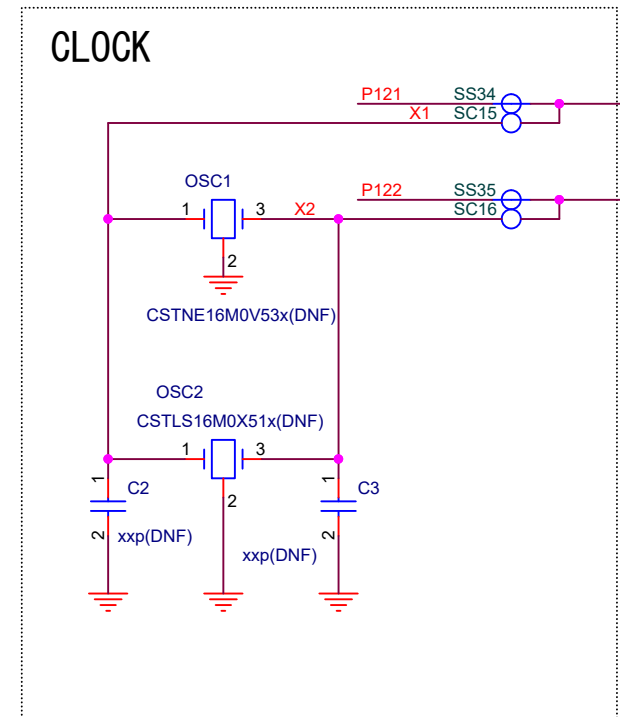
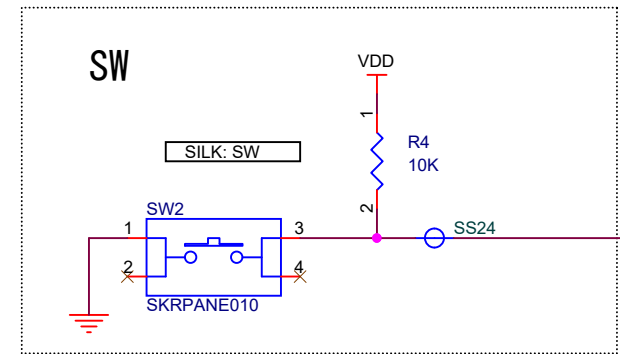
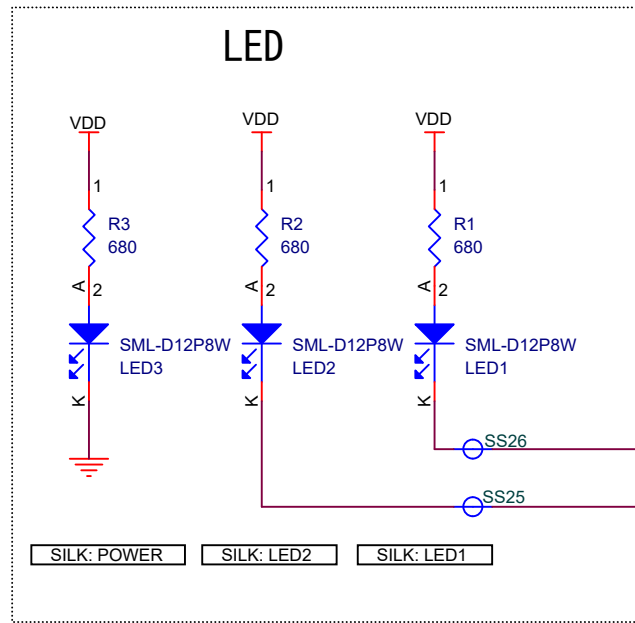
Product No : RTK5RLG150C00000BJ

Document Number : R12TU0169EJ Rev.1.00

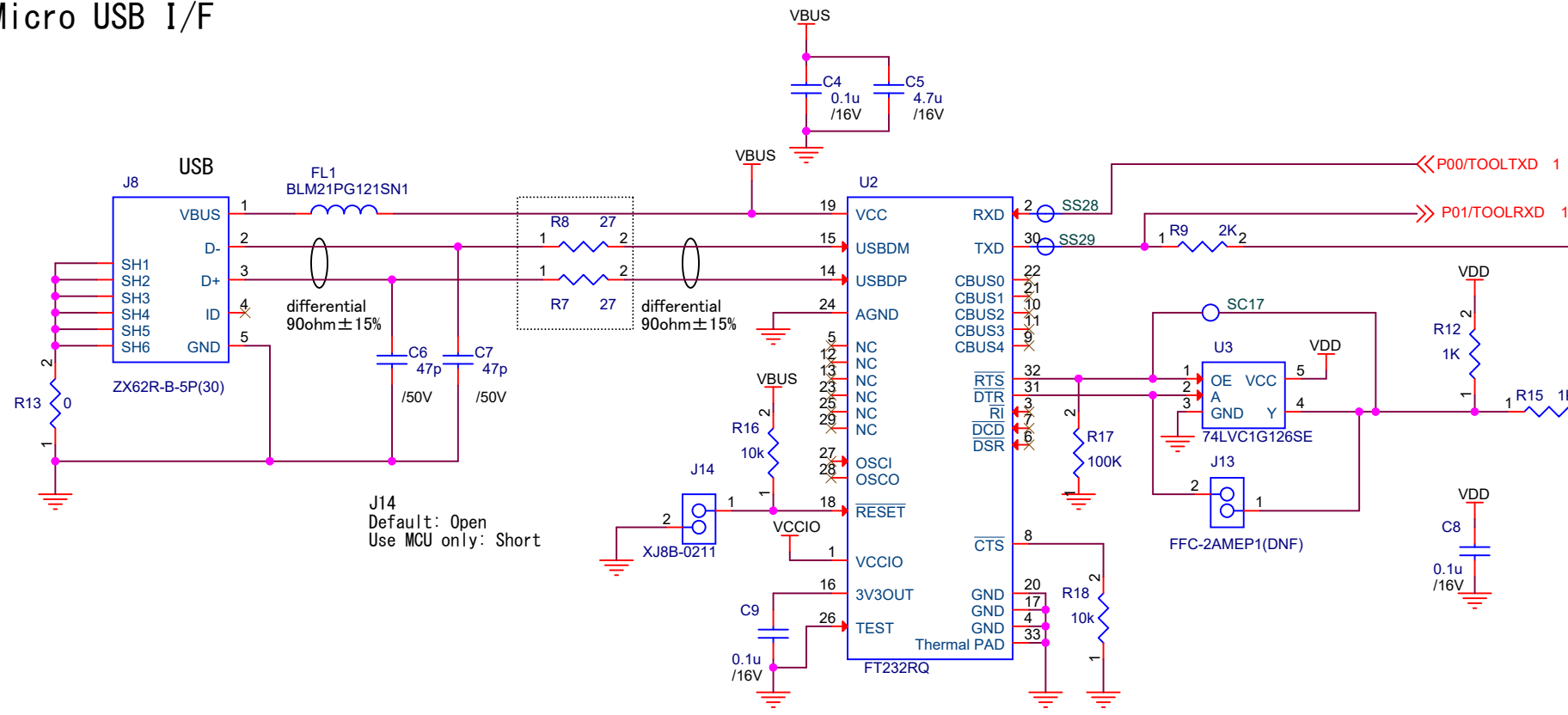
Page1 : CPU, CLOCK, SW, LED, Arduino UNO R3 I/F, Pmod I/F, MCU Header I/F

Page2 : Micro USB I/F, E2 Emulator I/F, RESET, POWER

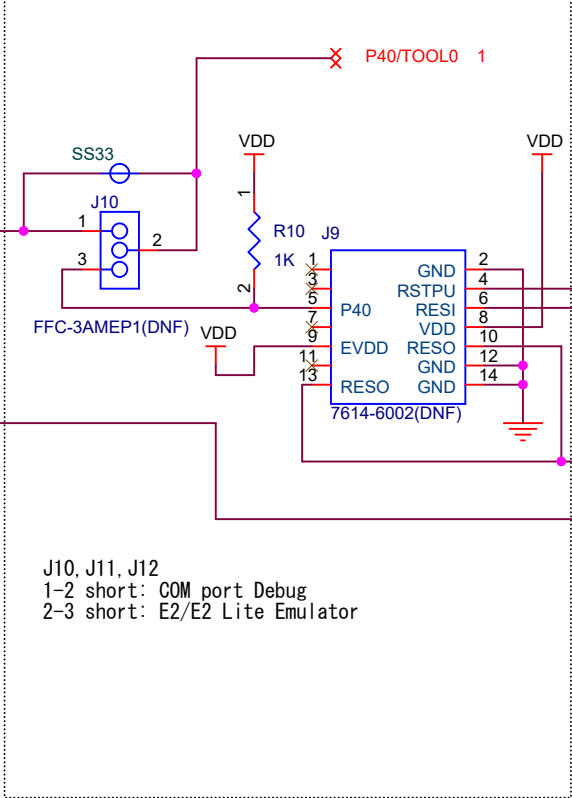
*(DNF) : Do not fit (Unmount)



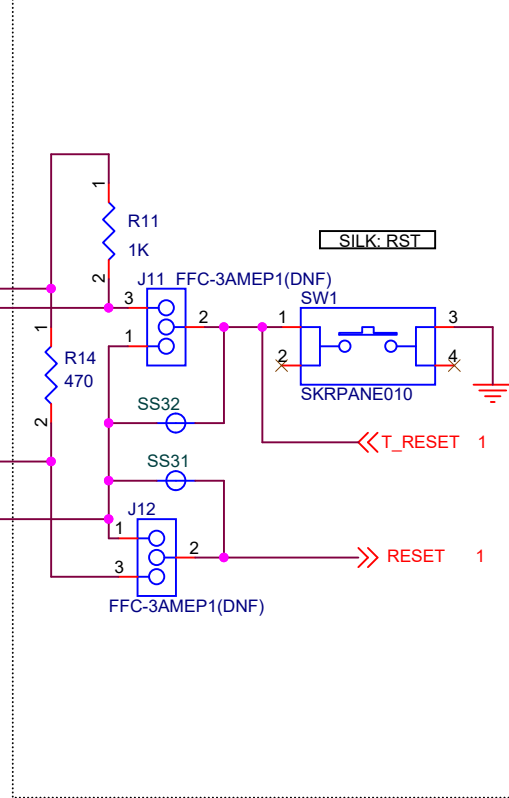
Micro USB I/F



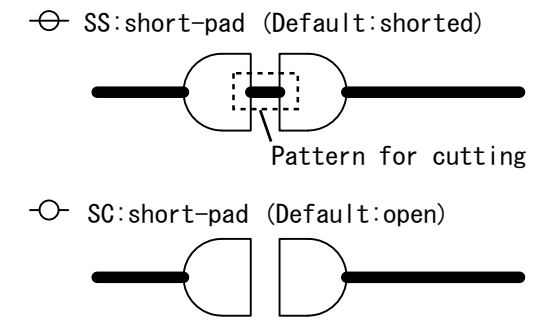
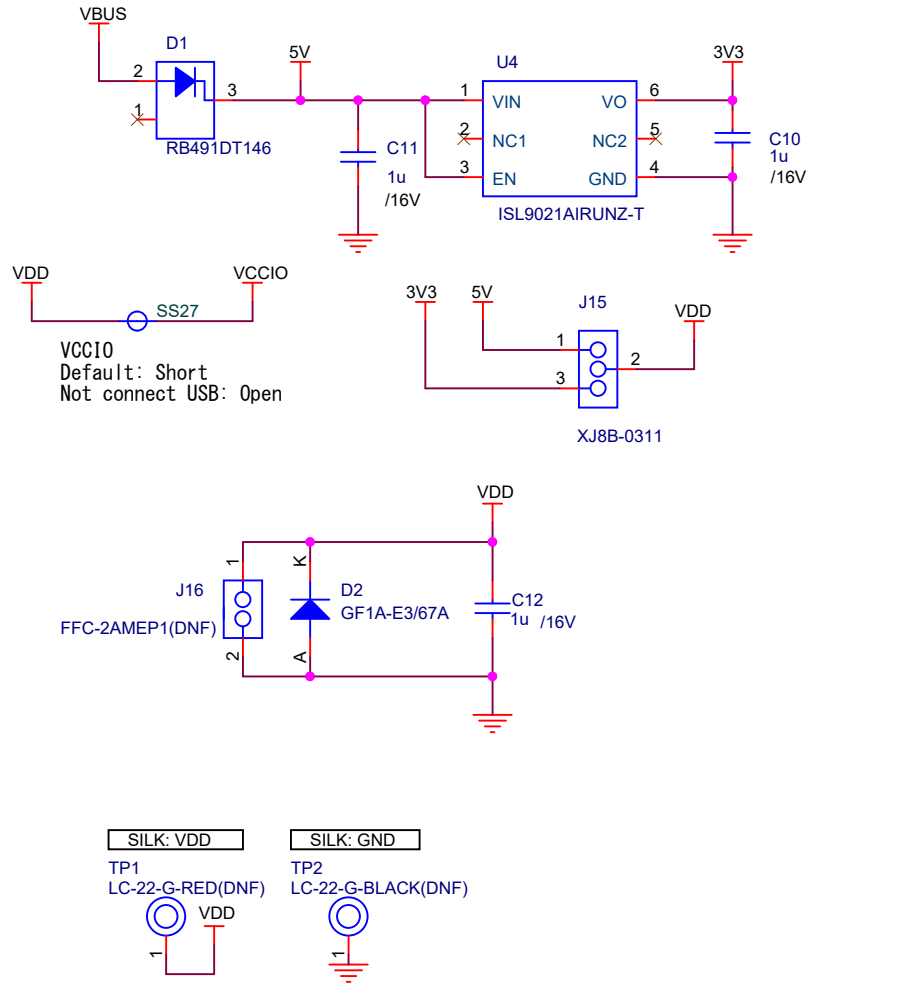
E2 Emulator I/F



RESET



POWER



Renesas Electronics Corporation		
Title: RTK5RLG150C0000BJ		
Size: A3	Document Number: R12TU0169EJ	Rev: 1.0
Date: Aug 24, 2022	Sheet: 2	of 2