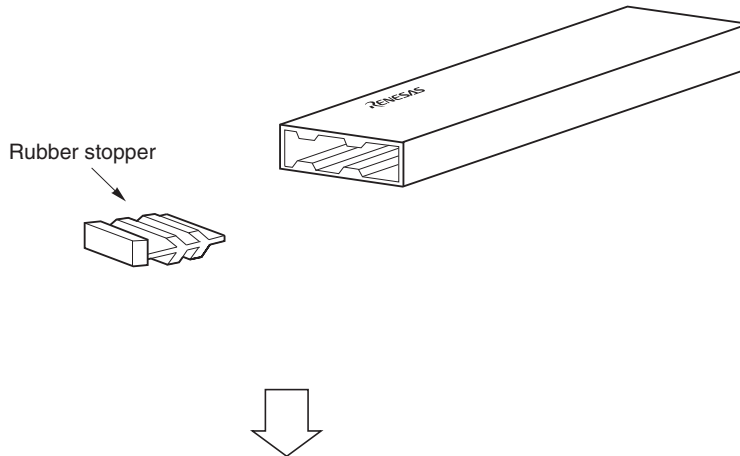


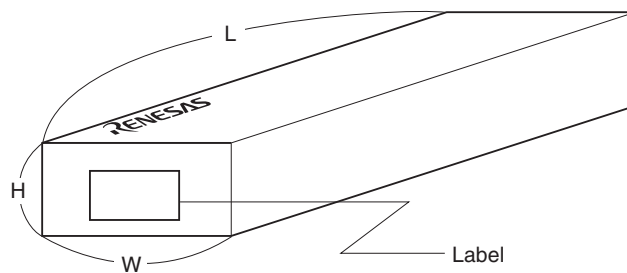
TUBE PACKING

1. CONTAINER

○ Magazine



2. INNER BOX



LABEL	PRODUCT NAME, QUANTITY, LOT NUMBER, CLASS
-------	---

CONTAINER			INNER BOX	
Applied Package	Tube	Quantity (pcs)	Dimension (mm) (WxHxL)	Quantity (Tube)
30-pin Plastic Shrink SOP	MM300-04A	40 MAX.	75x19x530	20 MAX.
38-pin Plastic Shrink SOP				