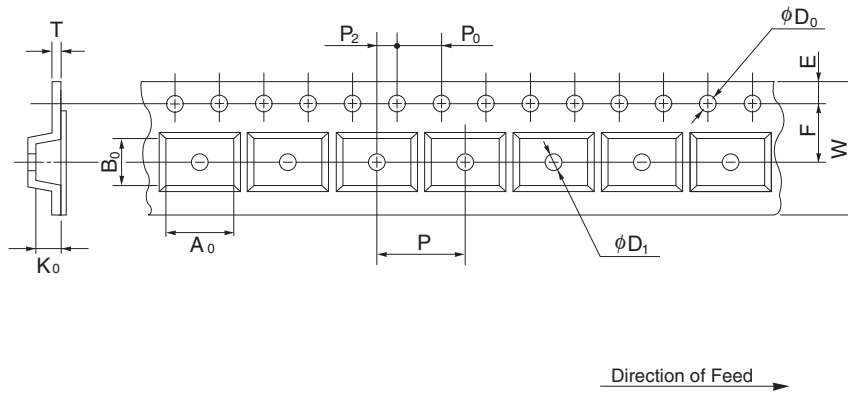


EMBOSS TAPE CONTAINER

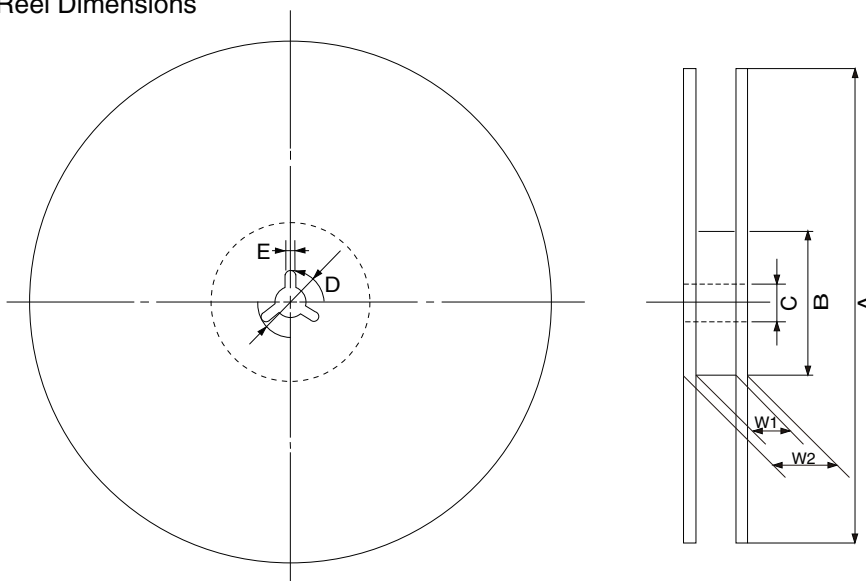
Tape Dimensions



(Unit : mm)

Symbol	Specification
A_0	6.95 MAX.
B_0	5.55 MAX.
K_0	1.9
W	12.0 ± 0.3
F	5.5 ± 0.1
E	1.75 ± 0.1
P	8.0 ± 0.1
P_2	2.0 ± 0.1
P_0	4.0 ± 0.1
D_0	$1.5^{+0.1}_0$
T	0.3
D_1	1.5 MIN.

Reel Dimensions



(Unit: mm)

Symbol	Specification
A	$\phi 330 \pm 2.0$
B	$\phi 100$
C	$\phi 13.0 \pm 0.2$
D	$\phi 21.0 \pm 0.8$
E	2.0 ± 0.5
W_1	13.5
W_2	17.5

Applied Package	Quantity (pcs)
8-pin plastic SOP 5.72mm (225)	MAX. 2,500
14-pin plastic shrink SOP 5.72mm (225)	MAX. 2,500
16-pin plastic shrink SOP 5.72mm (225)	MAX. 2,500