

RZ/T1 Group Encoder I/F 2ch Tool

R01AN4306EJ0100
Rev.1.00
September 10, 2018

Summary

This document explains about RZ/T1 Encoder I/F 2ch Tool package.

This package cannot be used alone. Obtain the “RZ/T1 Encoder I/F Configuration Library package” and the application package of Encoder I/F (the EnDat 2.2, BiSS, A-format, and FA-CODER) from Renesas Electronics website and use it.

Supported RZ/T1 Encoder I/F Configuration Library package version

	Library package version
RZ/T1 Encoder I/F Configuration Library (EC-Lib)	2.0 or later

Supported Encoder I/F and application package version

Encoder I/F 2ch is supported in the following version or later. Please obtain the latest application package and use it.

Encoder I/F	Application package version	Configuration data version
EnDat 2.2	1.1	1.4
BiSS	1.1	1.0
A-format(NIKON)	2.2	1.8
FA-CODER(Tamagawa-seiki)	1.3	1.3

Device that Encoder I/F 2ch Tool is checked

RZ/T1 CPU Board (RTK7910018C00000BE)

Tool operation confirmation version

Windows10 (.NETFRAMEWORK4.6)

Version History

Ver.	Date	Content	Note
1.0	Sep 2018	Newly created	

Table of contents

1. Contents of package	4
1.1 Software	4
1.2 Document.....	4
2. File Structures	5
3. Information about RZ/T1 Encoder I/F 2ch support	6
4. Information about sample program of Encoder I/F	7
5. Restriction	8
6. Note	8

1. Contents of package

Contents of this package are described in this chapter.

1.1 Software

• Tool

No.	Title	Version
1	RZ/T1 Encoder I/F 2ch Tool (datmrg)	1.1

1.2 Document

No.	Title	Ver.	File name
1	RZ/T1 Group Encoder I/F 2ch Tool release note	1.00	(English) r01an4306ej0100-rzt1.pdf (this document) (Japanese) r01an4306jj0100-rzt1.pdf
2	RZ/T1 Group Encoder I/F 2ch Tool Application Note	1.00	(English) r01an4316ej0100-rzt1_encoderif-2ch.pdf (Japanese) r01an4316jj0100-rzt1_encoderif-2ch.pdf

2. File Structures

File structures and contents of this package are described below.

```
Top
├─r01an4306ej0100-rzt1.pdf
├─r01an4306jj0100-rzt1.pdf
├─workspace
│   └─Tool
│       └─RZ_T1_encif_2ch_tool.zip          RZ/T1 Encoder I/F 2ch Tool
├─Documentation
│   └─r01an4316ej0100-rzt1_encoderif-2ch.pdf
│       └─r01an4316jj0100-rzt1_encoderif-2ch.pdf
```

The file structures of “RZ_T1_encif_2ch_tool.zip” are shown in Figure 2.1 File Structure.



Figure 2.1 File Structure

3. Information about RZ/T1 Encoder I/F 2ch support

To support 2-channel operation, configuration data of the encoder interfaces provided by Renesas are merged into a single set of configuration data by using the 2-ch compatibility tool, and the data are configured through EC-Lib.

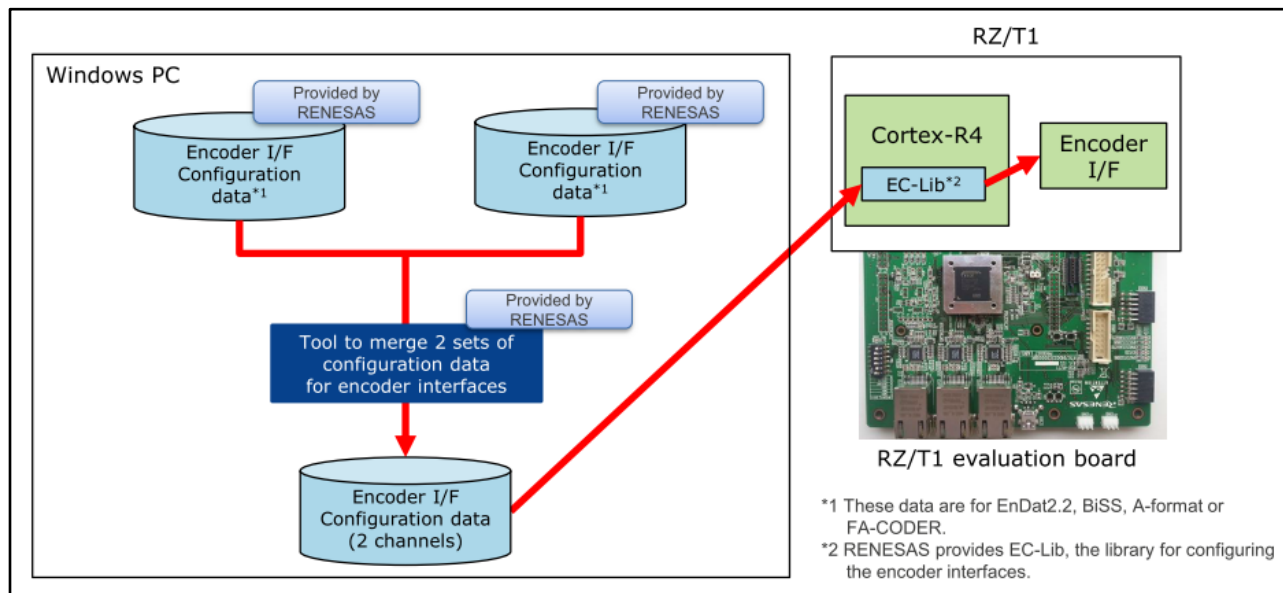


Table 3.1 lists the correspondences between encoder interfaces to support 2 channels.

Table 3.1 Supported combination of encoder interfaces

		ch0			
		EnDat 2.2	BiSS	A-format	FA-CODER
ch1	EnDat 2.2	✓	✓	✓	✓
	BiSS	✓	✓	✓	✓
	A-format	✓	✓	✓	✓
	FA-CODER	✓	✓	✓	✓

✓ : Usable

For details on how to use the 2ch tool and how to configure it by the RZ/T1 Encoder I/F Configuration Library (EC-Lib), refer to the "RZ/T1 Group Encoder I/F 2ch Tool Application Note" included with this package.

4. Information about sample program of Encoder I/F

The sample program attached to the application package of each Encoder I/F does not support 2-channel operation. Please change the sample program of Encoder I/F to be used by referring to "RZ/T1 Group Encoder I/F 2ch Tool Application Notes" included in this package.

5. Restriction

None.

6. Note

None.