

R2A20134EVB-NNWE

R19AN0017EJ0200

R2A20134 Evaluation Board

Rev.2.00

Jul 30, 2013

1. General Description

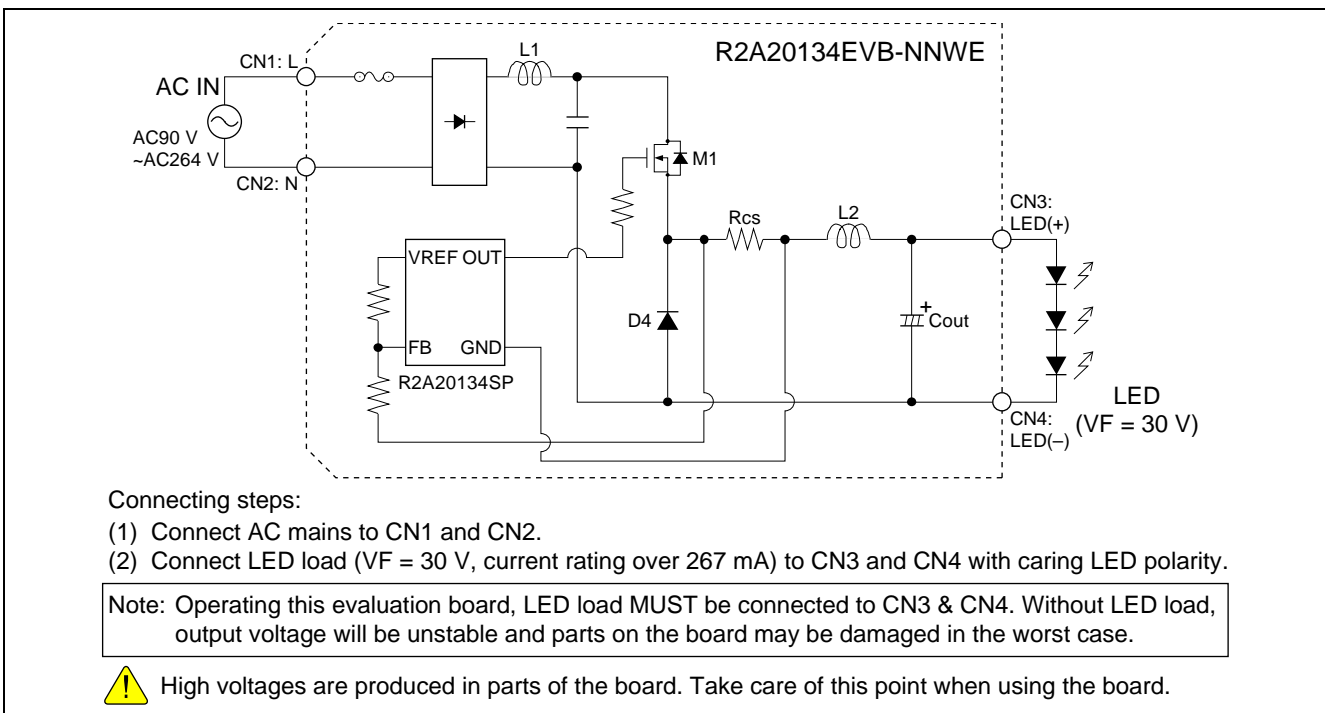
R2A20134EVB-NNWE is evaluation tool for evaluating LED control IC R2A20134. As all of the parts and the peripheral circuit which are necessary for LED lighting control are built on this evaluation board, R2A20134 can be evaluated by just only supplying AC power source and connecting LED load.

Since this evaluation board is composed as Step-down/High-side (non-isolated), it achieves high efficiency, high power factor, low THD (Total Harmonic Distortion) and low output current ripple with world-wide input voltage range. For using this board, please also refer the R2A20134SP datasheet and application note.

2. Specifications

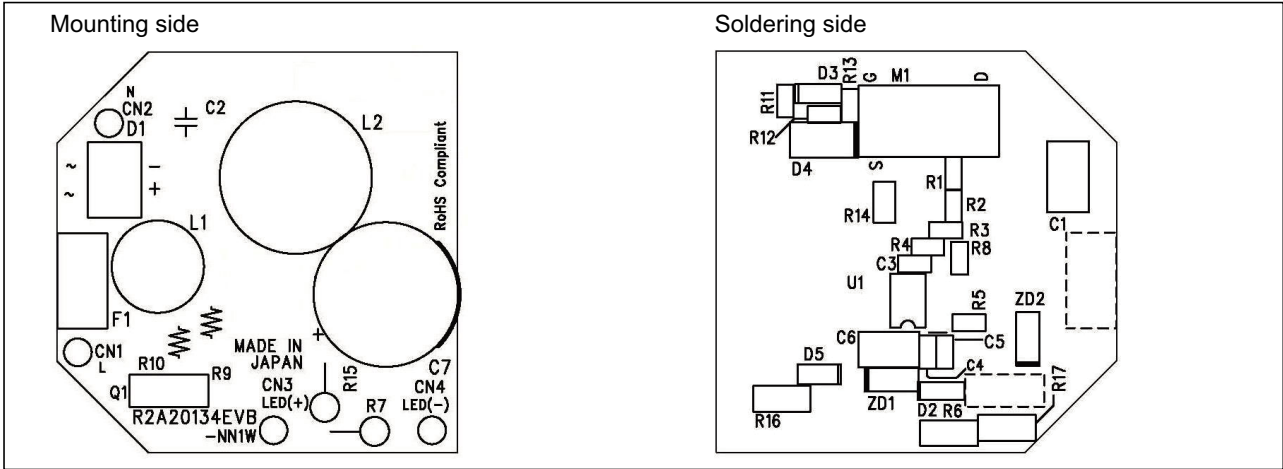
No.	Item	Specification
1	Input voltage range	AC90 V to 264 V (single phase 47 to 63 Hz)
2	Output power	8 W (typ.)
3	Output voltage (VF)	DC30 V
4	Output current	267 mA (typ.)
5	Efficiency	Not less than 85% (@Vin = AC100 V to 240 V)
6	Power factor	Not less than 0.9 (@Vin = AC100 V to 240 V)
7	Switching frequency	65 kHz
8	Operational mode	Discontinuous current mode (fixed switching frequency)
9	PCB	Single layer / Glass epoxy (FR4) / Single-side mount
10	Size (W × D × H)	36 mm × 36 mm × 25 mm (Top layer)

3. System Diagram & Connection

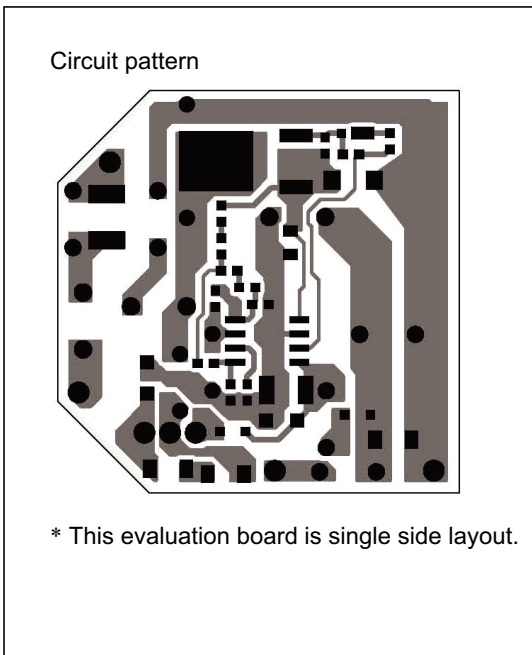


4. PCB Layout

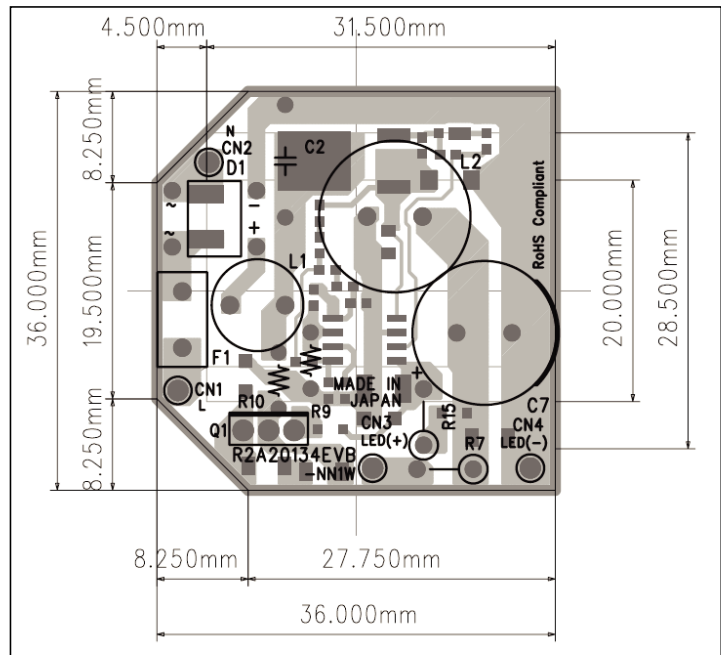
4.1 Parts Layout



4.2 PCB Layout

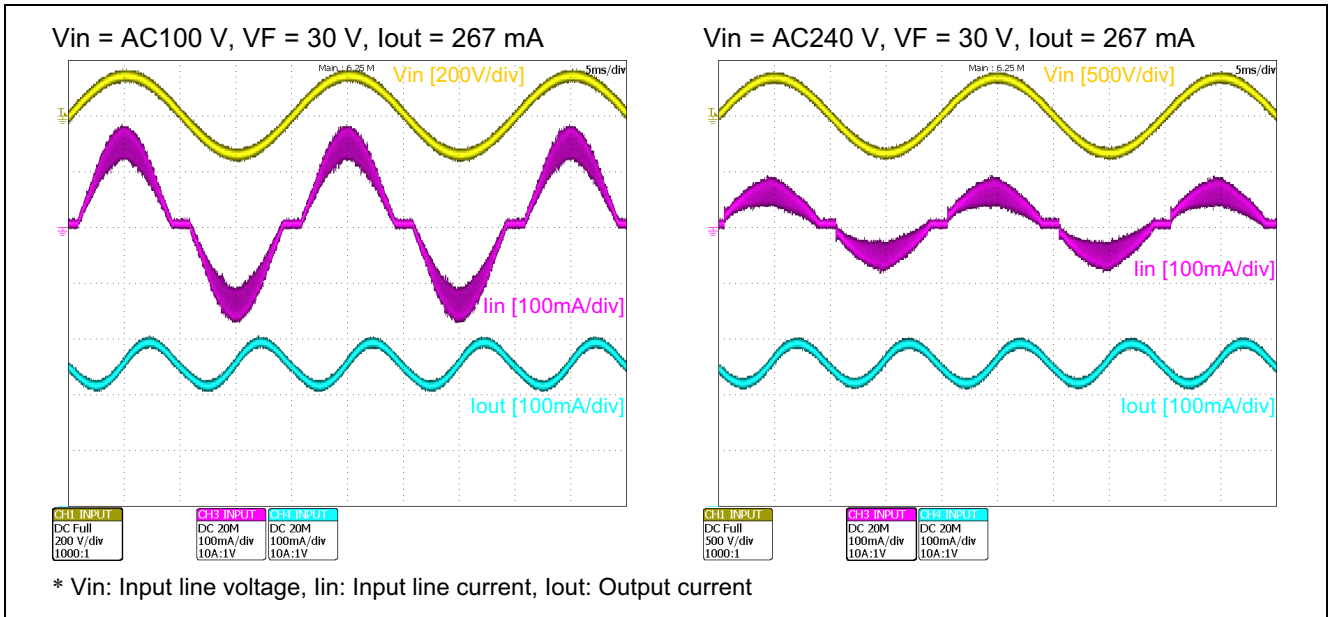


4.3 PCB Size

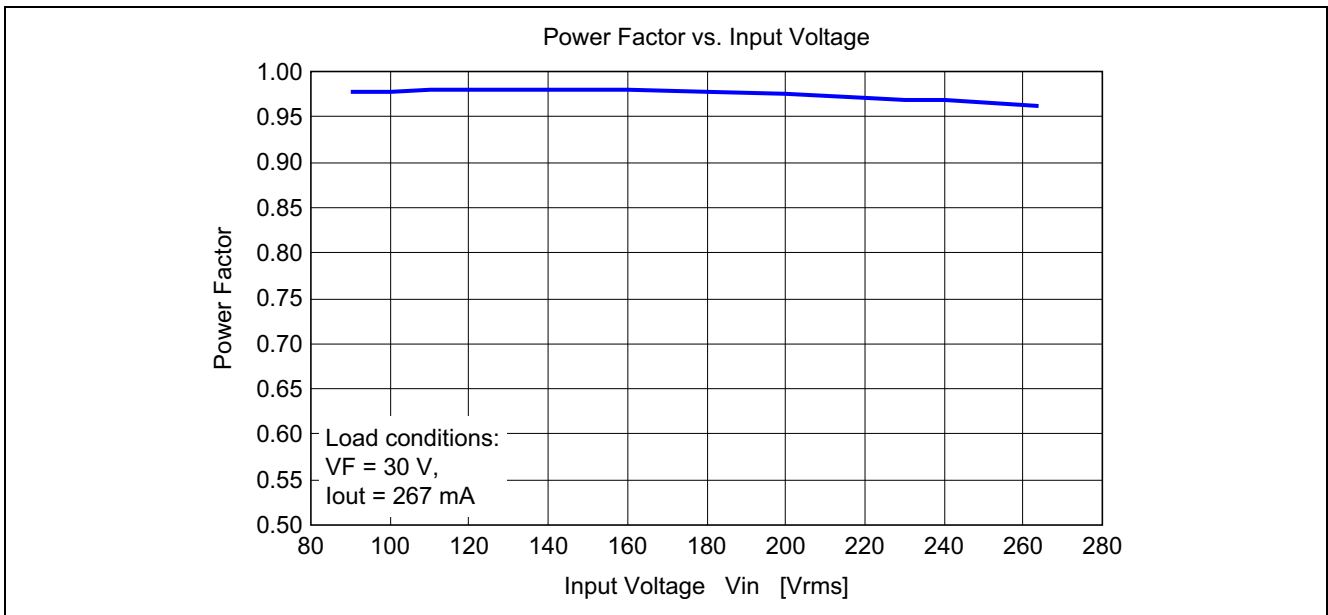


5. Performance Characteristics

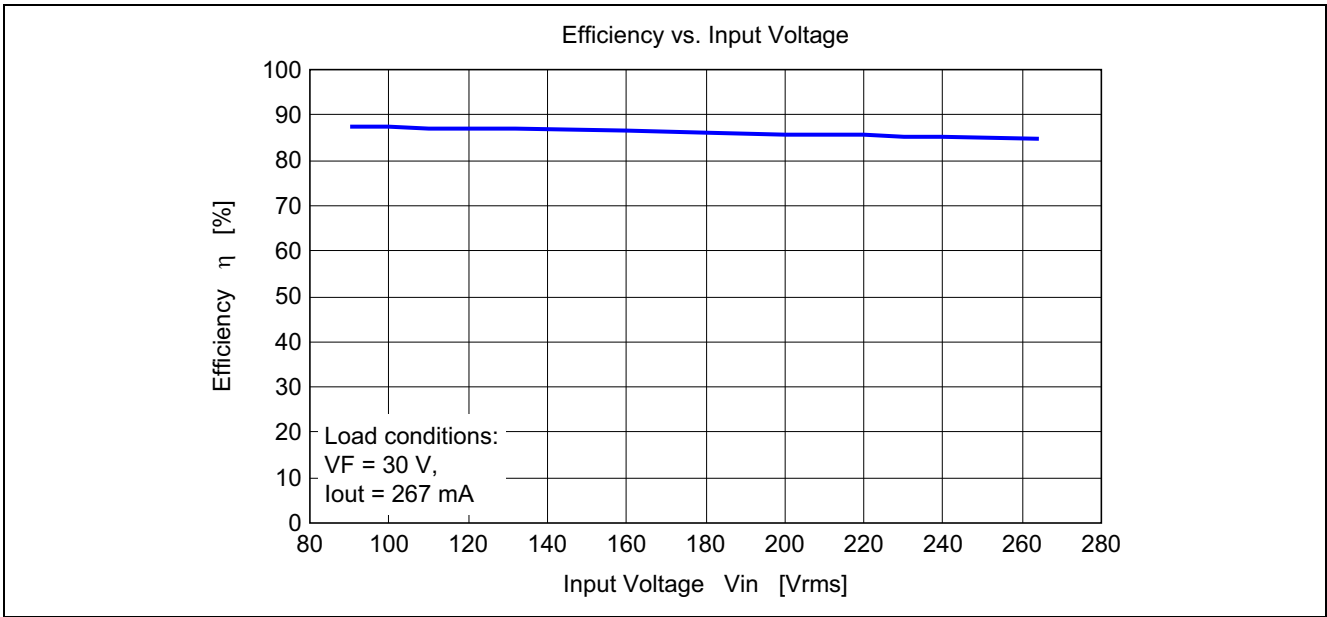
5.1 Waveforms



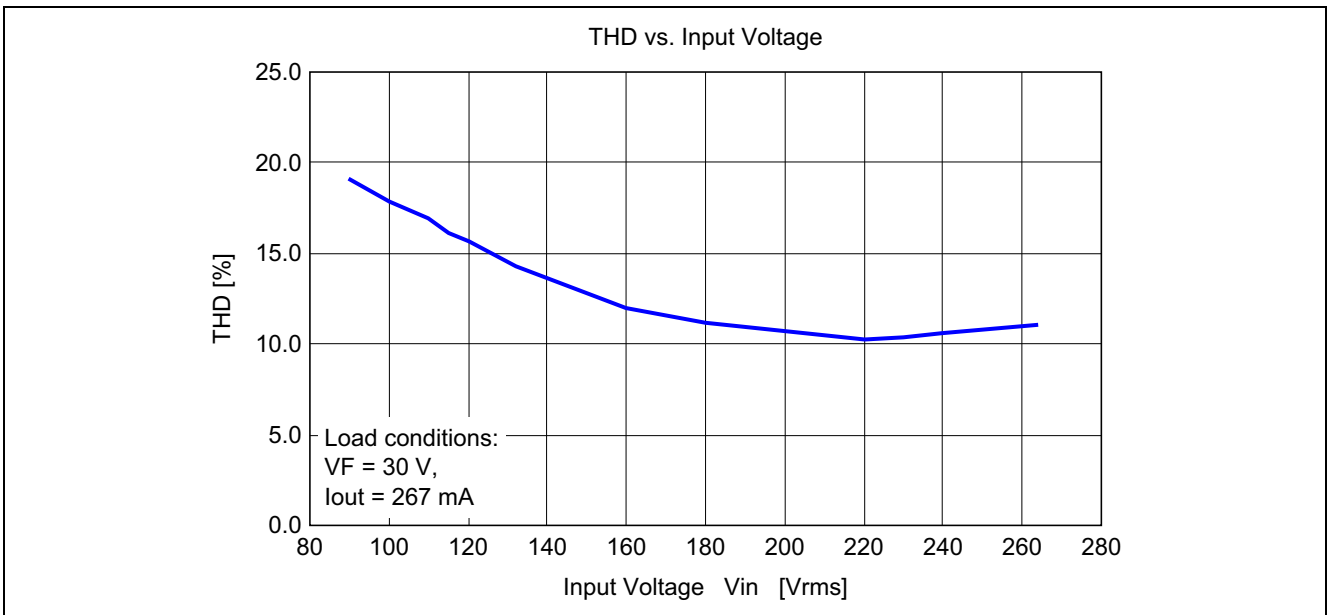
5.2 Power Factor



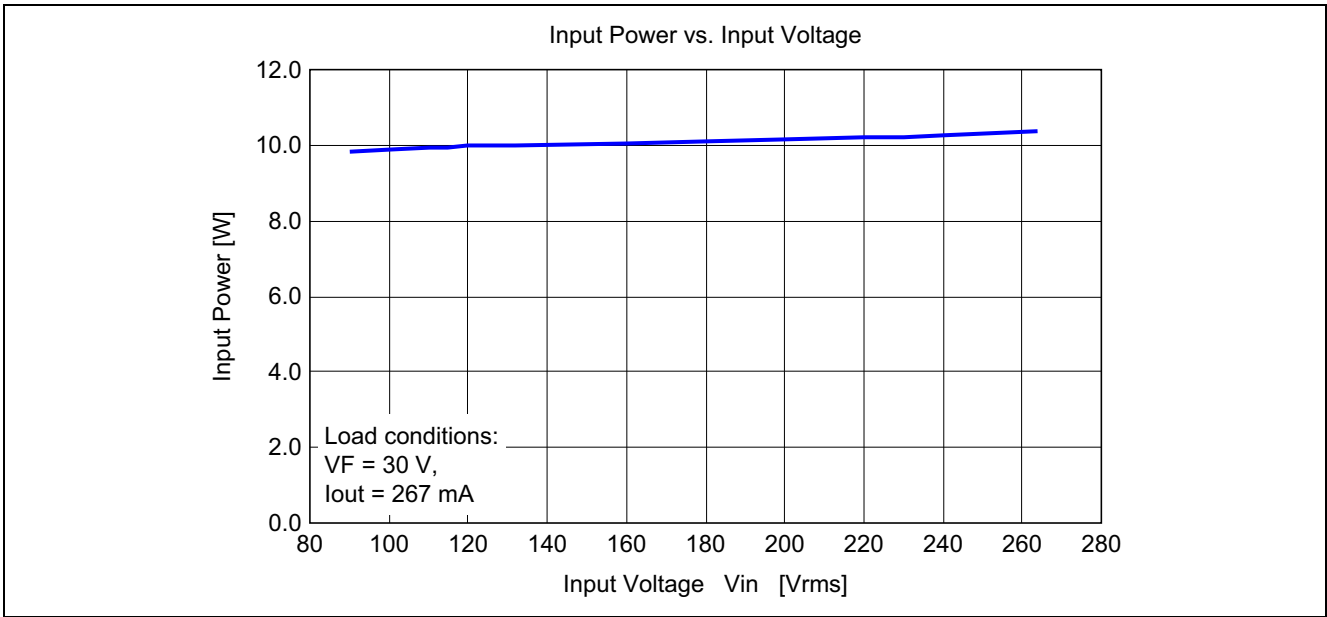
5.3 Efficiency



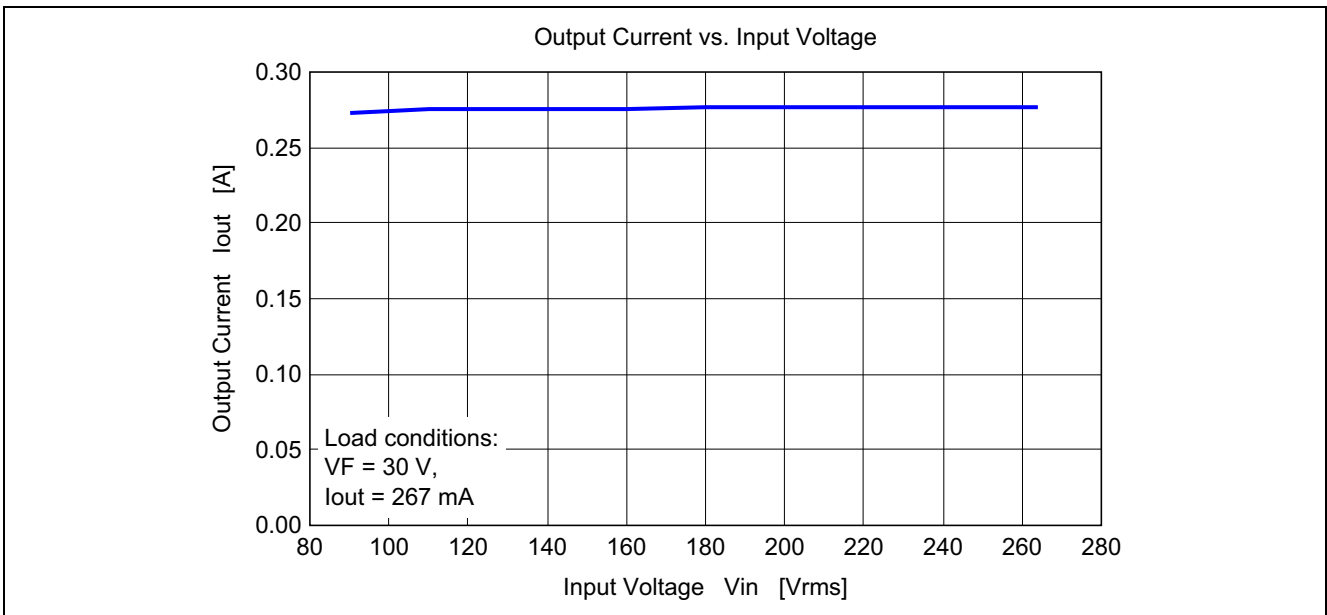
5.4 THD (Total Harmonic Distortion)



5.5 Input Power



5.6 Output Current



7. Bill of Materials

Symbol	Parts Name	Catalog No.	Q	Rating		Manufacturer	Note
PWB	Printed-wiring board	PW018	1			Renesas Electronics	
U1	IC	R2A20134SP	1			Renesas Electronics	SOP-8
M1	FET	RJK5030DPD	1	500 V	5 A	Renesas Electronics	MP-3A
Q1	Transistor	2SC3632	1	600 V	1 A	Renesas Electronics	TO-251
D1	Bridge Diode	S1NBB80	1	800 V	1 A	Shindengen	1NA(THD)
D2	Diode	HSU83	1	250 V	300 mA	Renesas Electronics	URP
D3	SBD	RKR104BKH	1	40 V	1 A	Renesas Electronics	TURP-FM
D4	FRD	STTH2L06A	1	600 V	2 A	ST Micro	SMA
D5	Diode	RKH0160AKU	1	600 V	600 mA	Renesas Electronics	TURP
ZD1	Zener diode	RD20FS	1	20 V		Renesas Electronics	
ZD2	Zener diode	RD15FS	1	15 V		Renesas Electronics	
R1	Resistor	MCR03EZPFX3300	1	1/10 W	330	Rohm	1608
R2	Resistor	MCR03EZPFX3301	1	1/10 W	3.3 k	Rohm	1608
R3	Resistor	MCR03EZPFX2702	1	1/10 W	27 k	Rohm	1608
R4	Resistor	MCR03EZPFX3901	1	1/10 W	3.9 k	Rohm	1608
R5	Resistor	MCR03EZPJ000	1	1/10 W	0	Rohm	1608
R6, 17	Resistor	MCR18EZPF6803	2	1/4 W	680 k	Rohm	3216
R7	Resistor	MF1/4LCVT1R2F	1	1/4 W	1.2	KOA	Leaded
R8	Resistor	MCR03EZPFX1503	1	1/10 W	150 k	Rohm	1608
R9		Not mount					Leaded
R10	Resistor	J1/6ZCMTA	1		0	KOA	Leaded
R11	Resistor	MCR03EZPFX36R0	1	1/10 W	36	Rohm	1608
R12	Resistor	MCR03EZPFX47R0	1	1/10 W	47	Rohm	1608
R13	Resistor	MCR03EZPFX6802	1	1/10 W	68 k	Rohm	1608
R14	Resistor	RL1220S-R33-F	1	1/4 W	0.33	susumu	2012
R15	Resistor	CFP1/4CVT102J	1	1/4 W	1 k	KOA	Leaded
R16	Resistor	MCR18EZPF1003	1	1/4 W	100 k	Rohm	3216
C1		Not mount					
C2	Ceramic capacitor	RDER72J154K5B1C13B	1	630 V	0.15 μ F	murata	Leaded
C3, 4	Ceramic capacitor	GRM188B31E105KA75B	2	25 V	1 μ F	murata	1608
C5	Ceramic capacitor	Not mount					1608
C6	Ceramic capacitor	GRM32EB31E226ME15B	1	25 V	22 μ F	murata	3225
C7	Electrochemical capacitor	UVK1H102MHD	1	50 V	1000 μ F	nichicon	ϕ 12.5 \times 25
L1	Inductor	RCR-875D-102K	1		1 mH	SUMIDA	
L2	Inductor	RCP1317NP-221L	1		220 μ H	SUMIDA	
F1	Fuse	HTS 500 mA	1	AC250 V	0.5 A	Skygate	

8. Design Guide

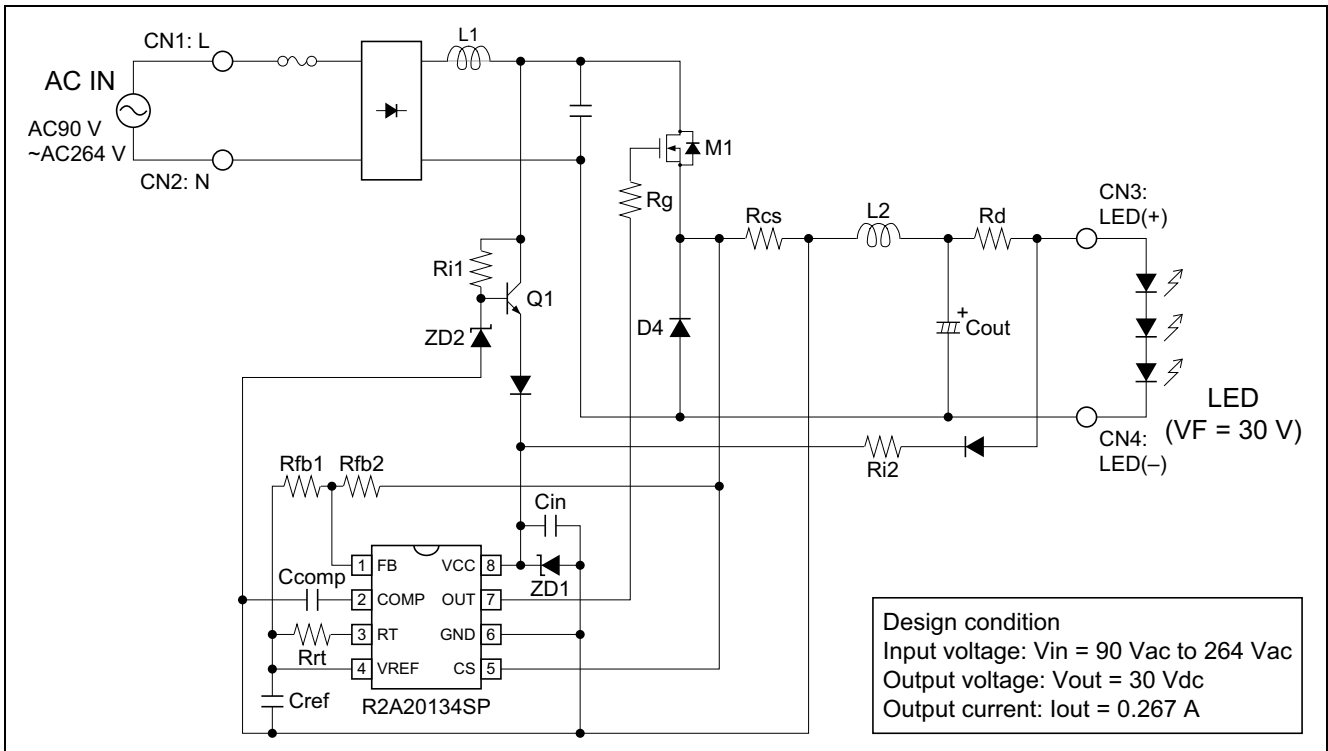


Figure 8.1 R2A20134EVB-NNWE Schematic

With fixed switching frequency and average current control, the system is controlled to keep constant output power. With this control method, current flow through the inductor L2 is discontinuous as is shown in figure 8.2, and input current is proportional to inductor current. Therefore, power factor and THD (Total Harmonic Distortion) are improved.

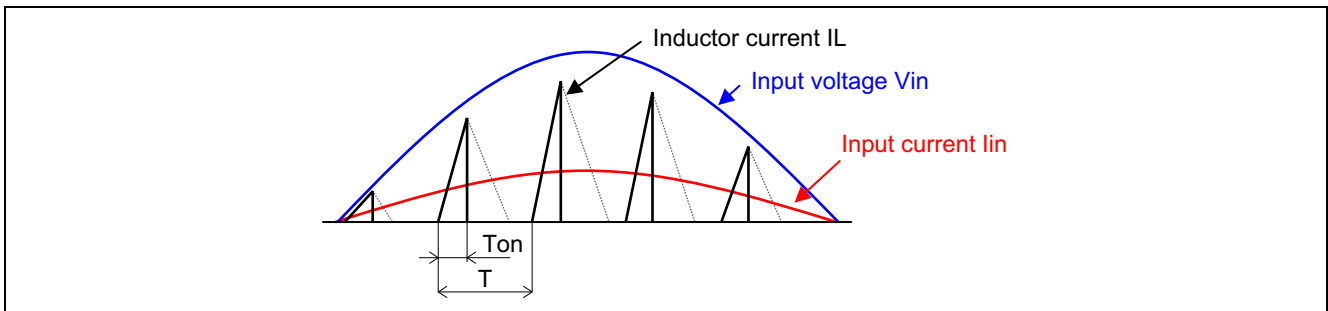


Figure 8.2 Input Current & Inductor Current

8.1 Setting Fixed Switching Frequency

To avoid audio frequency band and reduce switching loss, the switching frequency should be set from 20 kHz to 100 kHz. In this case, the switching frequency is set to 65 kHz with considering above.

8.2 Setting Rrt which Sets Switching Frequency

From following formula, Rrt is calculated $R_{rt} = 149 \text{ k}\Omega$. From this result, 150 k Ω resistor will be selected for Rrt. In this condition, the switching frequency is set to 64.7 kHz.

$$R_{rt} [\text{k}\Omega] = \frac{(1/f_{out}[\text{kHz}]) - (450 \times 10^{-6})}{100 \times 10^{-9}}$$

8.3 Selecting Inductor L

As inductor current is discontinuous in constant input current operation, firstly, it is necessary that inductance is calculated in the critical conduction mode operation condition.

Then, inductor will be selected based on this calculated result; the inductor whose inductance is smaller than above calculated inductance will be selected.

When the most severe condition is given as minimum V_{in} is 90 Vac and V_{out} is 30 V, on duty D_{ON} will be calculated;

$$D_{ON} = V_{out} / (V_{in} \times \sqrt{2}) = 30 / (90 \times \sqrt{2}) = 0.236$$

Note: In case that D_{ON} is over 0.5 in the minimum V_{in} & V_{out} condition, D_{ON} is assumed as 0.5.

As the switching frequency is 62.7 kHz, on period T_{on} will be calculated;

$$T_{on} = D_{ON} / f_{out} = 0.236 / 62.7 \text{ kHz} = 3.76 \mu\text{s}$$

Now, in critical conduction mode, the relationship between input current, inductor current and output current is as below;

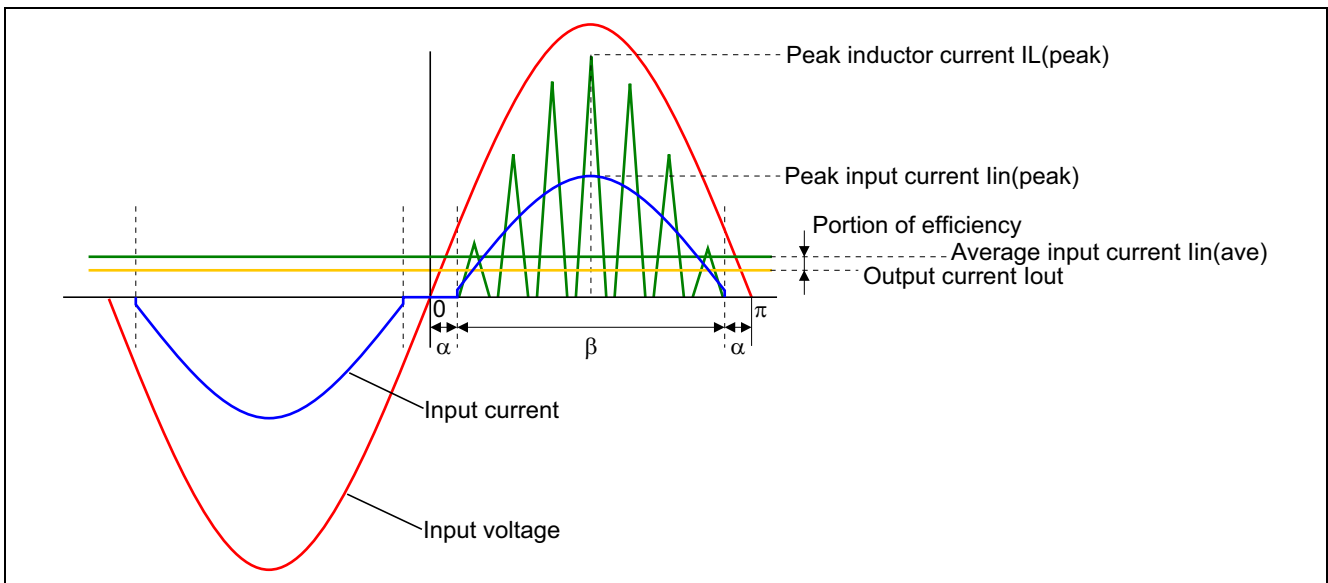


Figure 8.3 Input Current, Inductor Current, and Output Current

Output current is the value which is subtracted efficiency from average input current that the input current at conduction angle β is integrated over the range of zero to π . When output current I_{out} is 267 mA and efficiency η is 85%, average input current $I_{in(ave)}$ will be calculated as below;

$$I_{in(ave)} = \frac{I_{out}}{\eta} = \frac{267 \text{ mA}}{0.85} = 314 \text{ mA}$$

and, peak input current $I_{in(peak)}$ will be

$$I_{in(peak)} = \frac{\frac{\pi}{2} \times I_{in(ave)}}{\theta} = \frac{\frac{\pi}{2} \times 314 \text{ mA}}{0.849} = 581 \text{ mA}$$

θ : conduction ratio of half cycle

$$\theta = \frac{\beta}{\pi} \quad \beta = \pi - (\alpha \times 2)$$

$$\alpha = \text{Asin}(V_{out} / (V_{in} \times \sqrt{2}))$$

$$\theta = \frac{\pi - (\text{Asin}(30 / (90 \times \sqrt{2})))}{\pi} = 0.849$$

Inductor current $I_L(\text{peak})$ will be doubled from above in critical conduction mode;

$$I_L(\text{peak}) = I_{in(peak)} \times 2 = 581 \text{ mA} \times 2 = 1.16 \text{ A}$$

Thus,

$$L = (V_{in} \times \sqrt{2} - V_{out}) \times T_{on} / I_L(\text{peak}) = (90 \times \sqrt{2} - 30) \times 3.76 \mu\text{s} / 1.16 = 314 \mu\text{H}$$

In case the inductance is smaller than above calculated value, the system will be in discontinuous operation. As for this, 220 μH inductor will be selected from standard line-up with considering tolerance.

8.4 Selecting Current Sensing Resistor Rcs

The inductor current with selected inductor will become the maximum when input voltage is 264 Vac. At this point, $I_{in(peak)}$ will be; (also see 8.3)

$$I_{in(peak)} = \frac{\frac{\pi}{2} \times I_{in(ave)}}{\theta} = \frac{\frac{\pi}{2} \times 314 \text{ mA}}{0.949} = 520 \text{ mA}$$

$\theta = \frac{\pi - (A \sin(30 / (264 \times \sqrt{2})))}{\pi} = 0.949$

on period T_{on} will be;

$$T_{on} = \sqrt{\frac{2 \times V_{out} \times I_{in(peak)} \times L}{f_{sw} \times V_{in} \times (V_{in} - V_{out})}} = \sqrt{\frac{2 \times 30 \times 0.520 \times 220 \mu\text{H}}{62.7 \text{ kHz} \times 264 \times \sqrt{2} \times (264 \times \sqrt{2} - 30)}} = 0.924 \mu\text{s}$$

Therefore, the peak current flow through the inductor which is selected before will be;

$$I_{L(peak)} = (V_{in} - V_{out}) \times T_{on} / L = (264 \times \sqrt{2} - 30) \times 0.924 \mu\text{s} / 220 \mu\text{H} = 1.44 \text{ A}$$

and it is necessary that R_{cs} is set to the value which is tolerant for above peak current flow.

Not to detect as over current protect level.

When Over Current Protection (OCP) detection voltage is $V_{ocp} = 0.6 \text{ V}$ with taking 20% margin, R_{cs} will be following;

$$R_{cs} = V_{ocp} / (I_{L(peak)} \times 1.2) = 0.6 / (1.442 \times 1.2) = 0.347 \Omega$$

Thus, 0.33Ω resistor is selected as R_{cs} from standard line-up (E12 line) and over current detection is 1.82 A.

8.5 Setting Rfb1 & Rfb2 (Setting Output Current)

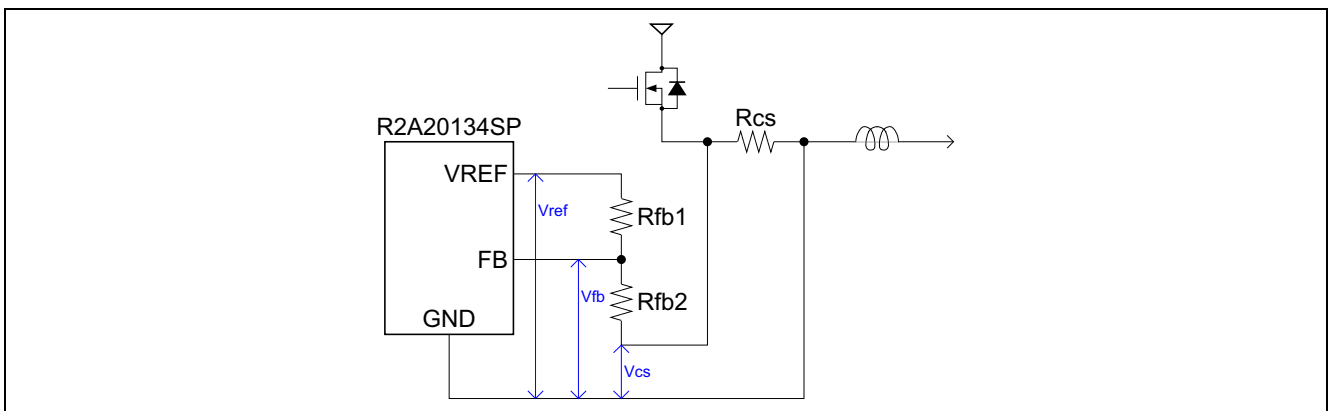


Figure 8.4 Output Current Setting Circuit

Partial voltage ratio with R_{fb1} & R_{fb2} should be set as following with FB terminal voltage V_{fb} (0.6 V), reference voltage V_{ref} (5 V) and R_{cs} voltage V_{cs} ;

$$R_{fb2} / (R_{fb1} + R_{fb2}) = (V_{fb} - V_{cs}) / (V_{ref} - V_{cs})$$

When output power I_{out} is set to 0.267 A, average R_{cs} voltage V_{cs} which has been set in previous term is following;

$$V_{cs} = R_{cs} \times I_{out} = 0.33 \times 0.267 = 0.088 \text{ V}$$

$$R_{fb2} / (R_{fb1} + R_{fb2}) = (0.6 \text{ V} - 0.088 \text{ V}) / (5.0 \text{ V} - 0.088 \text{ V})$$

Thus, when R_{fb1} is set to $30.9 \text{ k}\Omega$ ($27 \text{ k}\Omega + 3.9 \text{ k}\Omega$), R_{fb2} becomes, $R_{fb2} = 3.63 \text{ k}\Omega = 3.3 \text{ k}\Omega + 330 \Omega$.

8.6 Loop Filter of Feedback Amplifier (External Circuit for FB & COMP Terminal)

Frequency characteristics of R2A20134EVB-NNWE are shown in figure 8.6.

Although this system is controlled as current mode (first-order lag system) and can operate stably, it would be recommended that Ccomp (shown in figure 8.5.) is set to make loop gain as 0 dB under 100 – 200 Hz which is double frequency of the AC mains; 50 – 60 Hz. On the evaluation board, Ccomp has been set to 1 μF. In case operation can be affected by switching noise or other effect, it is also recommended that CR filter (Cf1 & Rf1) is inserted to FB terminal.

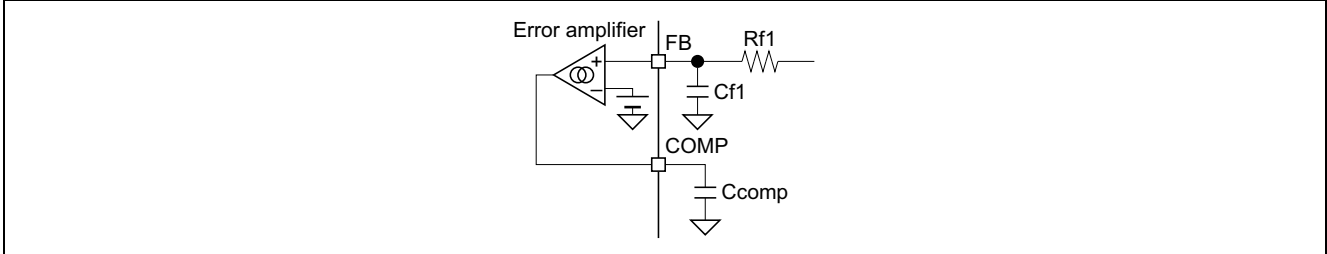


Figure 8.5 External Circuit for FB & COMP Terminals

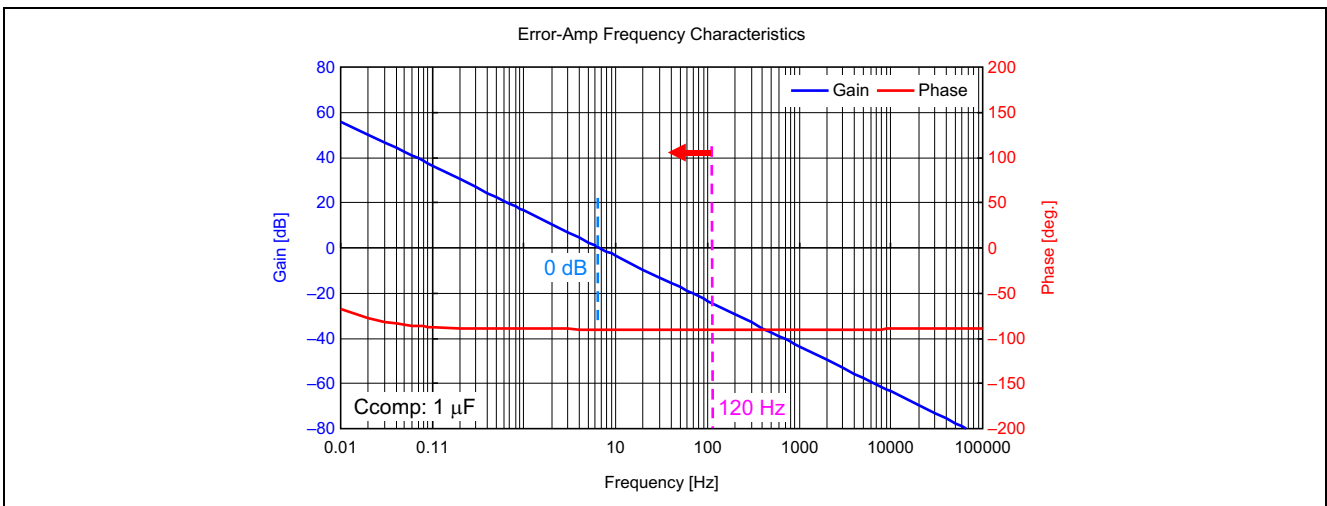
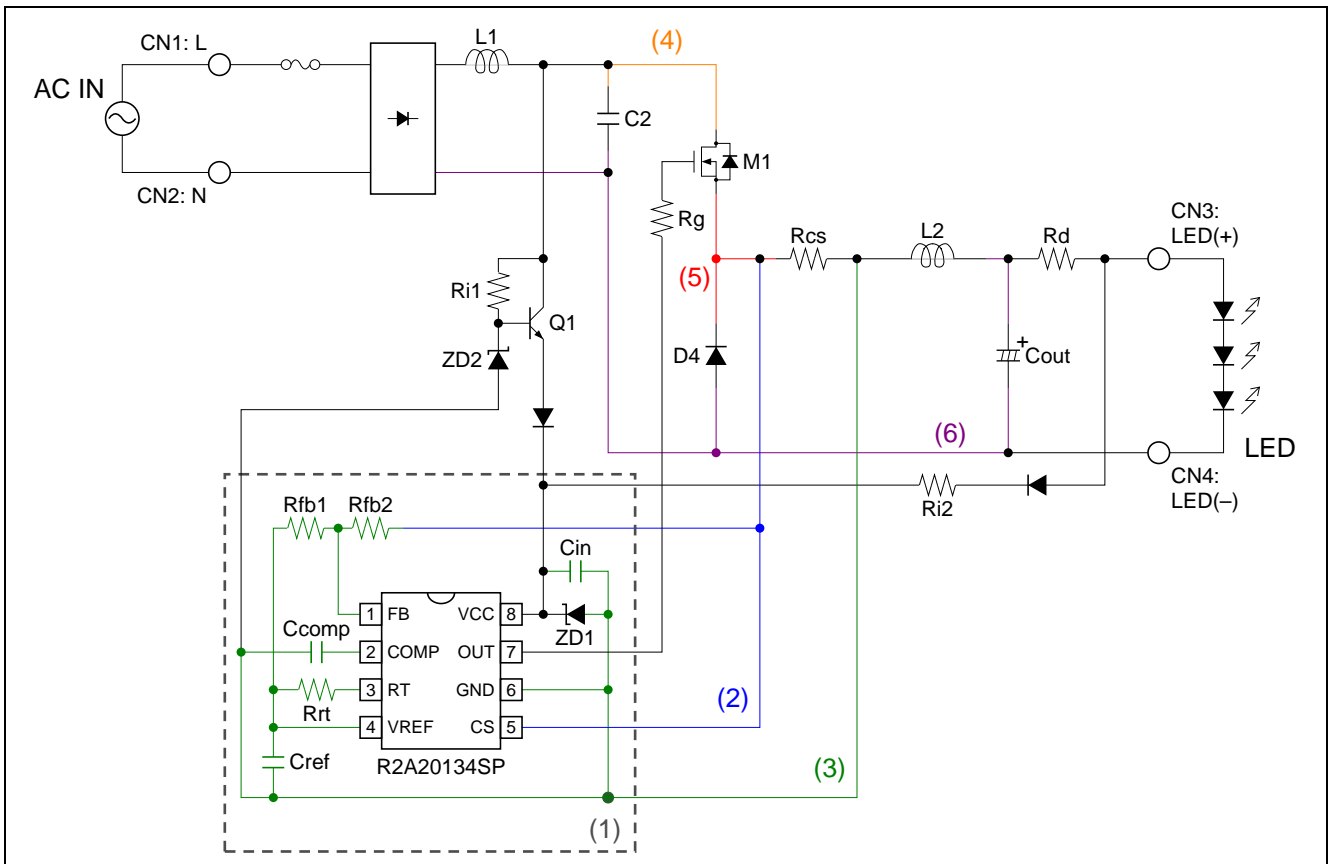


Figure 8.6 R2A20134EVB-NNWE Frequency Characteristics

9. PCB Layout Guide

9.1 Wiring Pattern



- (1) Make the wiring around the IC as short as possible in order to reduce the switching noise influence.
- (2) Connect the CS line as close as possible to Rcs to shorten the wiring.
- (3) Wire the independent wide GND pattern and connect it as close as possible to Rcs (output side). Also, please place bypass capacitors (Cin, Cref) of Vcc and Vref, and the resistors of RT and FB (Rrt, Rfb1 and Rfb2) as close as possible to IC, as well as the wiring between GND of IC and the bypass capacitor (Cref) of Vref pin as short as possible.
- (4) Make the wire between M1 (Drain) and C2 (+) as short and as thick as possible.
- (5) Make the track between M1 (source) and D1 (cathode) as short and as thick as possible.
- (6) As switching current flows, make this track as short and as thick as possible.

9.2 Parts Layout and Mount

In case the IC is affected by switching noise, it may cause IC malfunction. As for this, please care following things;

- Keep the distance of IC (R2A20134SP) and MOSFET (M1) as much as possible.
- In case capacitor is mounted as bended, it should be mounted without contact to IC.

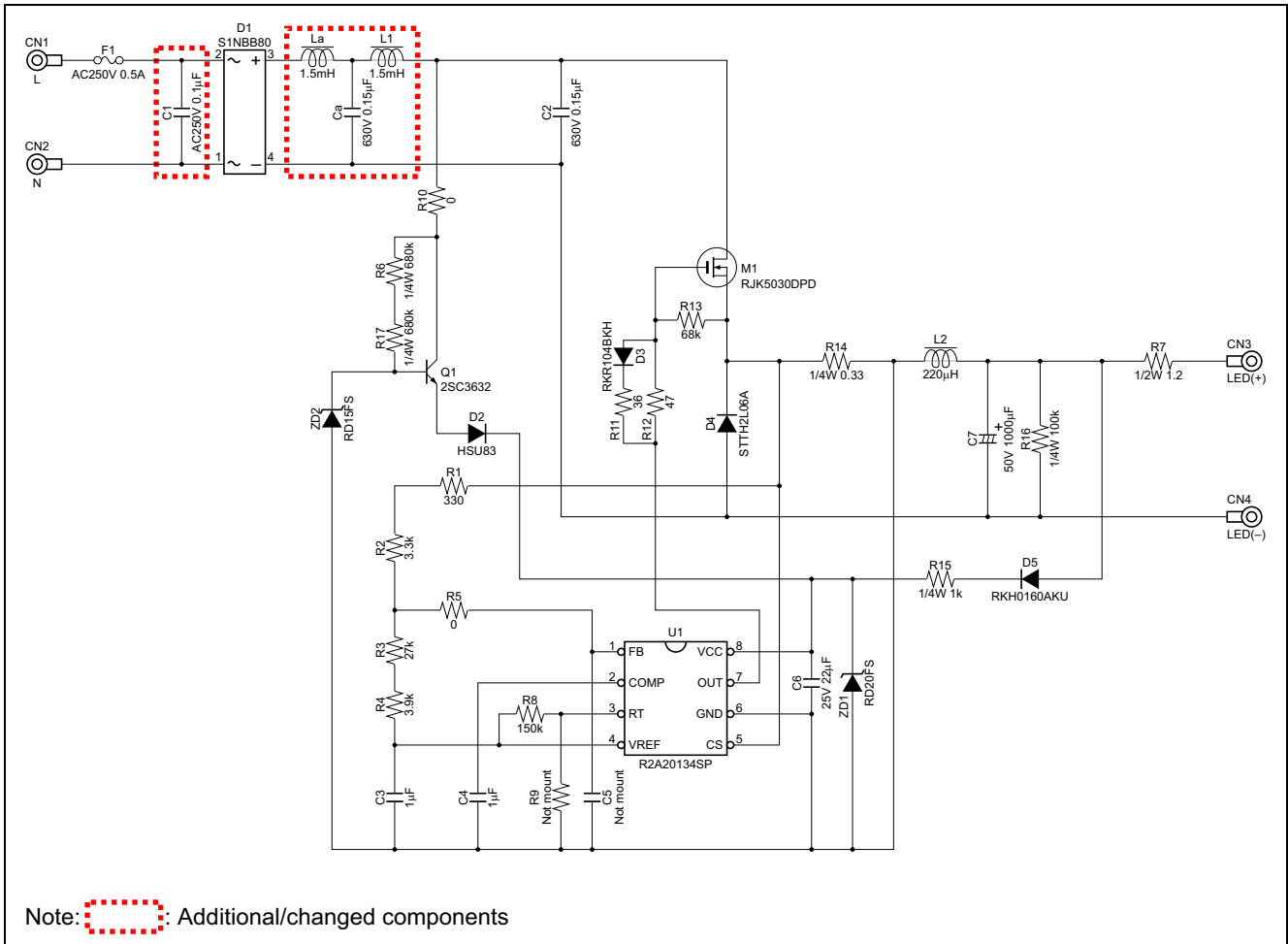
10. Conducted Emission

10.1 Conducted Emission Standard (CISPR15) Adaptation

This evaluation board is possible to meet the conducted emission standard (CISPR15) by changing or adding some components.

However, basic characteristics such as power efficiency or power factor are trade-off for conducted emission, please adjust each components' value according to required performance.

10.1.1 Schematic with Conducted Emission Filter

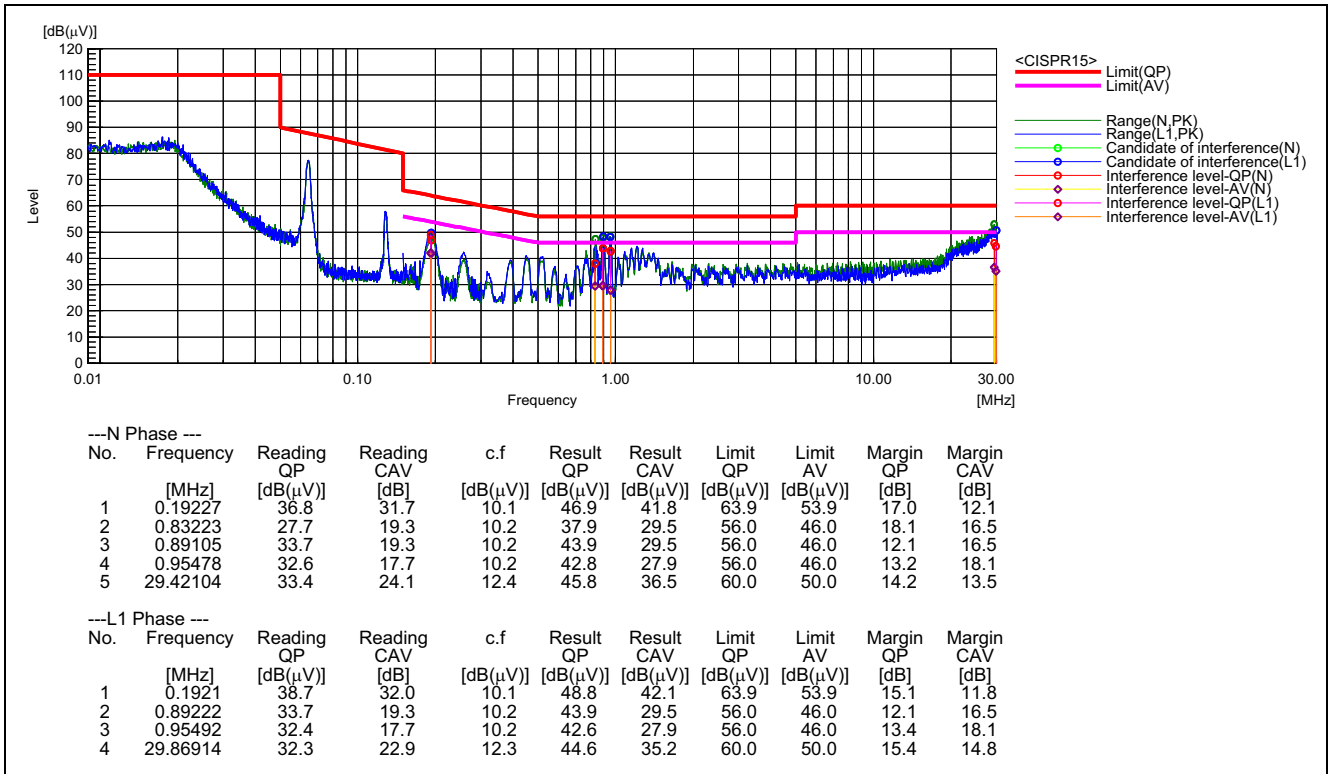


10.1.2 Additional/Changed Parts to Meet Conducted Emission Standard

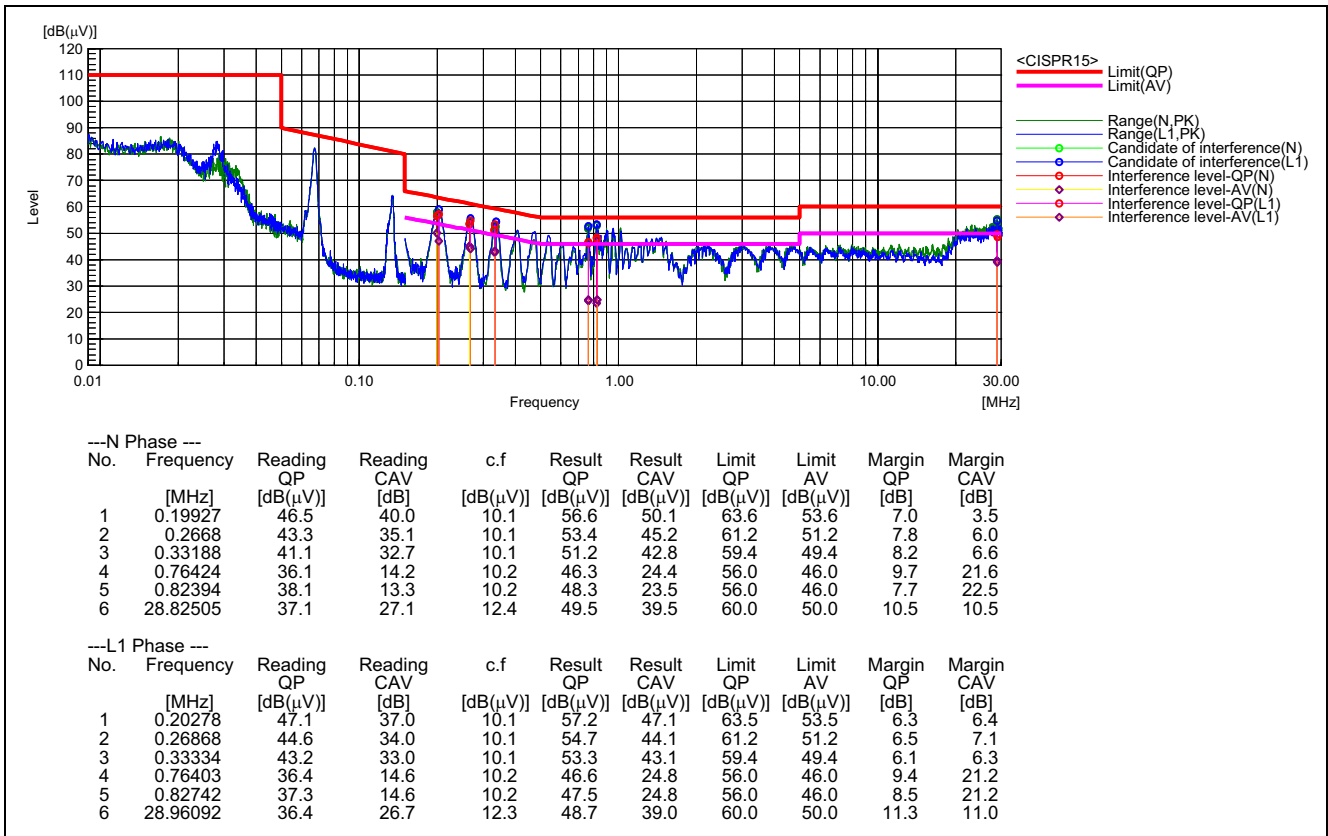
Symbol	Parts Name	Catalog No.	Q	Rating		Manufacturer
C1	Ceramic capacitor	GA255DR7E2104MW01L	1	250 Vac	0.1 μ F	murata
Ca	Ceramic capacitor	RDER72J154K5B1C13B	1	630 V	0.15 μ F	murata
L1, La	Inductor	RCR875DNP-152K	2		1.5 mH	SUMIDA

10.2 Conducted Emission Test Results (CISPR15)

- Vin = AC100 V, 60 Hz, LED load (VF = 30 V), Iout = 267 mA



- Vin = AC240 V, 60 Hz, LED load (VF = 30 V), Iout = 267 mA



Website and Support

Renesas Electronics Website

<http://www.renesas.com/>

Inquiries

<http://www.renesas.com/contact/>

All trademarks and registered trademarks are the property of their respective owners.

Revision Record

Rev.	Date	Description	
		Page	Summary
1.00	Dec 18, 2012	—	First edition issued
2.00	Jul 30, 2013	1	The notes about the high voltage is added.

Notice

1. Descriptions of circuits, software and other related information in this document are provided only to illustrate the operation of semiconductor products and application examples. You are fully responsible for the incorporation of these circuits, software, and information in the design of your equipment. Renesas Electronics assumes no responsibility for any losses incurred by you or third parties arising from the use of these circuits, software, or information.
2. Renesas Electronics has used reasonable care in preparing the information included in this document, but Renesas Electronics does not warrant that such information is error free. Renesas Electronics assumes no liability whatsoever for any damages incurred by you resulting from errors in or omissions from the information included herein.
3. Renesas Electronics does not assume any liability for infringement of patents, copyrights, or other intellectual property rights of third parties by or arising from the use of Renesas Electronics products or technical information described in this document. No license, express, implied or otherwise, is granted hereby under any patents, copyrights or other intellectual property rights of Renesas Electronics or others.
4. You should not alter, modify, copy, or otherwise misappropriate any Renesas Electronics product, whether in whole or in part. Renesas Electronics assumes no responsibility for any losses incurred by you or third parties arising from such alteration, modification, copy or otherwise misappropriation of Renesas Electronics product.
5. Renesas Electronics products are classified according to the following two quality grades: "Standard" and "High Quality". The recommended applications for each Renesas Electronics product depends on the product's quality grade, as indicated below.
"Standard": Computers; office equipment; communications equipment; test and measurement equipment; audio and visual equipment; home electronic appliances; machine tools; personal electronic equipment; and industrial robots etc.
"High Quality": Transportation equipment (automobiles, trains, ships, etc.); traffic control systems; anti-disaster systems; anti-crime systems; and safety equipment etc.
Renesas Electronics products are neither intended nor authorized for use in products or systems that may pose a direct threat to human life or bodily injury (artificial life support devices or systems, surgical implantations etc.), or may cause serious property damages (nuclear reactor control systems, military equipment etc.). You must check the quality grade of each Renesas Electronics product before using it in a particular application. You may not use any Renesas Electronics product for any application for which it is not intended. Renesas Electronics shall not be in any way liable for any damages or losses incurred by you or third parties arising from the use of any Renesas Electronics product for which the product is not intended by Renesas Electronics.
6. You should use the Renesas Electronics products described in this document within the range specified by Renesas Electronics, especially with respect to the maximum rating, operating supply voltage range, movement power voltage range, heat radiation characteristics, installation and other product characteristics. Renesas Electronics shall have no liability for malfunctions or damages arising out of the use of Renesas Electronics products beyond such specified ranges.
7. Although Renesas Electronics endeavors to improve the quality and reliability of its products, semiconductor products have specific characteristics such as the occurrence of failure at a certain rate and malfunctions under certain use conditions. Further, Renesas Electronics products are not subject to radiation resistance design. Please be sure to implement safety measures to guard them against the possibility of physical injury, and injury or damage caused by fire in the event of the failure of a Renesas Electronics product, such as safety design for hardware and software including but not limited to redundancy, fire control and malfunction prevention, appropriate treatment for aging degradation or any other appropriate measures. Because the evaluation of microcomputer software alone is very difficult, please evaluate the safety of the final products or systems manufactured by you.
8. Please contact a Renesas Electronics sales office for details as to environmental matters such as the environmental compatibility of each Renesas Electronics product. Please use Renesas Electronics products in compliance with all applicable laws and regulations that regulate the inclusion or use of controlled substances, including without limitation, the EU RoHS Directive. Renesas Electronics assumes no liability for damages or losses occurring as a result of your noncompliance with applicable laws and regulations.
9. Renesas Electronics products and technology may not be used for or incorporated into any products or systems whose manufacture, use, or sale is prohibited under any applicable domestic or foreign laws or regulations. You should not use Renesas Electronics products or technology described in this document for any purpose relating to military applications or use by the military, including but not limited to the development of weapons of mass destruction. When exporting the Renesas Electronics products or technology described in this document, you should comply with the applicable export control laws and regulations and follow the procedures required by such laws and regulations.
10. It is the responsibility of the buyer or distributor of Renesas Electronics products, who distributes, disposes of, or otherwise places the product with a third party, to notify such third party in advance of the contents and conditions set forth in this document, Renesas Electronics assumes no responsibility for any losses incurred by you or third parties as a result of unauthorized use of Renesas Electronics products.
11. This document may not be reproduced or duplicated in any form, in whole or in part, without prior written consent of Renesas Electronics.
12. Please contact a Renesas Electronics sales office if you have any questions regarding the information contained in this document or Renesas Electronics products, or if you have any other inquiries.

(Note 1) "Renesas Electronics" as used in this document means Renesas Electronics Corporation and also includes its majority-owned subsidiaries.

(Note 2) "Renesas Electronics product(s)" means any product developed or manufactured by or for Renesas Electronics.



SALES OFFICES

Renesas Electronics Corporation

<http://www.renesas.com>

Refer to "<http://www.renesas.com/>" for the latest and detailed information.

Renesas Electronics America Inc.

2880 Scott Boulevard Santa Clara, CA 95050-2554, U.S.A.
Tel: +1-408-588-6000, Fax: +1-408-588-6130

Renesas Electronics Canada Limited

1101 Nicholson Road, Newmarket, Ontario L3Y 9C3, Canada
Tel: +1-905-898-5441, Fax: +1-905-898-3220

Renesas Electronics Europe Limited

Dukes Meadow, Millboard Road, Bourne End, Buckinghamshire, SL8 5FH, U.K.
Tel: +44-1628-651-700, Fax: +44-1628-651-804

Renesas Electronics Europe GmbH

Arcadiastrasse 10, 40472 Düsseldorf, Germany
Tel: +49-211-65030, Fax: +49-211-6503-1327

Renesas Electronics (China) Co., Ltd.

7th Floor, Quantum Plaza, No.27 ZhiChunLu Haidian District, Beijing 100083, P.R.China
Tel: +86-10-8235-1155, Fax: +86-10-8235-7679

Renesas Electronics (Shanghai) Co., Ltd.

Unit 204, 205, AZIA Center, No.1233 Lujiazui Ring Rd., Pudong District, Shanghai 200120, China
Tel: +86-21-5877-1818, Fax: +86-21-6887-7858 / -7898

Renesas Electronics Hong Kong Limited

Unit 1601-1613, 16/F., Tower 2, Grand Century Place, 193 Prince Edward Road West, Mongkok, Kowloon, Hong Kong
Tel: +852-2886-9318, Fax: +852-2886-9022/9044

Renesas Electronics Taiwan Co., Ltd.

13F, No. 363, Fu Shing North Road, Taipei, Taiwan
Tel: +886-2-8175-9600, Fax: +886-2-8175-9670

Renesas Electronics Singapore Pte. Ltd.

80 Bendemeer Road, Unit #06-02 Hyflux Innovation Centre Singapore 339949
Tel: +65-6213-0200, Fax: +65-6213-0300

Renesas Electronics Malaysia Sdn.Bhd.

Unit 906, Block B, Menara Amcorp, Amcorp Trade Centre, No. 18, Jln Persiaran Barat, 46050 Petaling Jaya, Selangor Darul Ehsan, Malaysia
Tel: +60-3-7955-9390, Fax: +60-3-7955-9510

Renesas Electronics Korea Co., Ltd.

11F., Samik Lavied' or Bldg., 720-2 Yeoksam-Dong, Kangnam-Ku, Seoul 135-080, Korea
Tel: +82-2-558-3737, Fax: +82-2-558-5141