

---

## High-Side, High Current Sensing Techniques

---

This application note discusses two new circuit techniques for measuring high-side current in power applications. Compared with the standard difference amplifier configuration, these new configurations offer considerably higher accuracy and gain-bandwidth.

### Contents

1. Introduction .....	2
2. Improved Current Sense Circuits .....	3
3. Summary .....	6
4. Revision History .....	6

# 1. Introduction

There is a need in many applications to sense currents on the high-side rail of a power bus and translate it into a voltage with respect to ground, which is proportional to this current (see Figure 1). Typically, this voltage is fed into a microcontroller or used as an analog input to a switching power controller. This application note compares several methods of high-side current sensing, including two simple techniques that can be used to sense current on a high voltage rail using low voltage amplifiers.

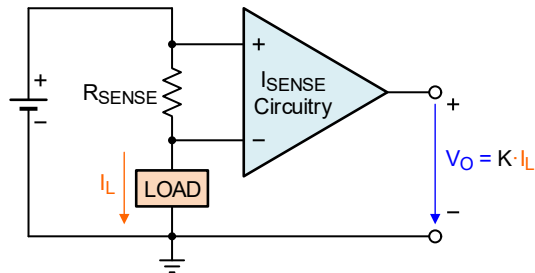


Figure 1. Simplified Block Diagram

There are various ways to sense high-side current, but no single solution. The ISL28006 (see Figure 2), is a compact solution for applications up to 28V. The fixed gain version requires almost no external components and the 450µV max offset over-temperature is excellent compared to similar products; however, some applications require lower offset for better precision or require sensing of a rail higher than 28V.

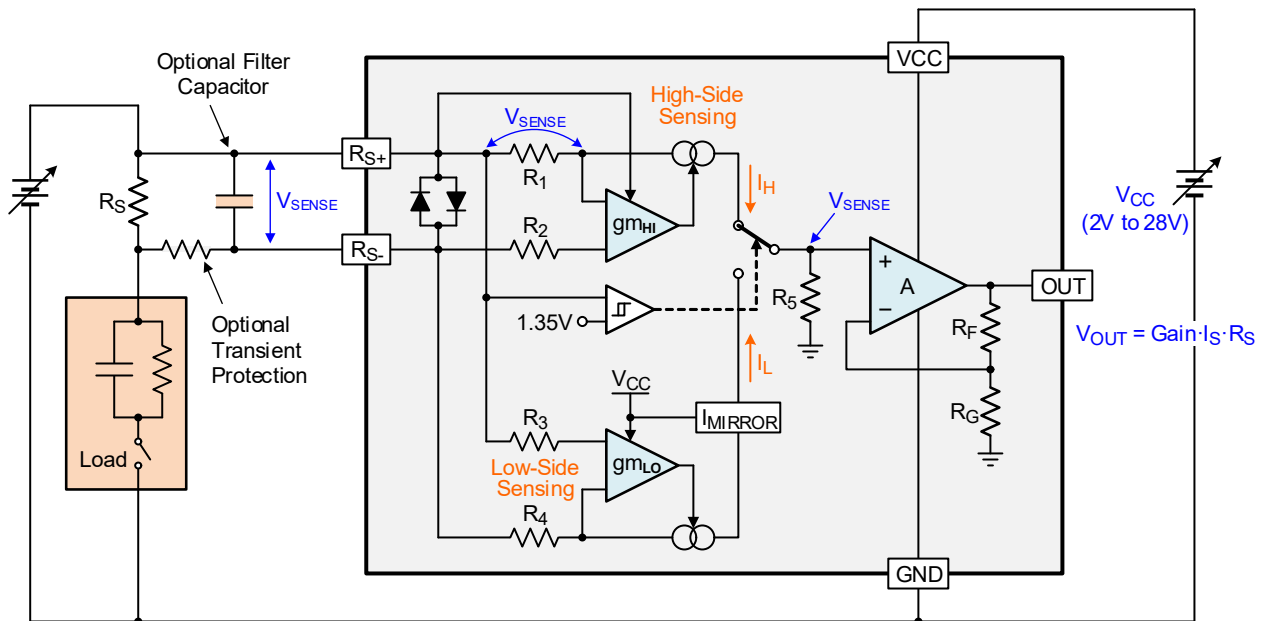


Figure 2. ISL28006 Highly Integrated and Accurate Current Sense Amplifier

A high voltage op amp can be used in a standard differential amp configuration, but this circuit requires extremely tight resistor matching when amplifying low voltages on high voltage rails. For example, if sensing 10mV on a 5V rail using 1% resistors, amplifying by 50 and assuming a zero offset in the amp, the worst-case error is ~37%.

Figure 3 shows this numeric example of the worst-case tolerance. The voltage at the non-inverting terminal of the amplifier is calculated to be 4.9137V based on the worst case values of 0.99kΩ and 50.5kΩ for the resistor divider and the voltage at the inverting terminal is the same by virtual null. The current in the 1.01kΩ resistor is

$(5V - 4.9137V)/1.01k\Omega = 85.4\mu A$ . The output is  $4.9137V - 85.4\mu A \times 49.5k\Omega = 683mV$ . This is 37% higher than the nominal value of  $50 \times 10mV = 500mV$  that one would expect with  $50k\Omega$  and  $1k\Omega$  resistors.

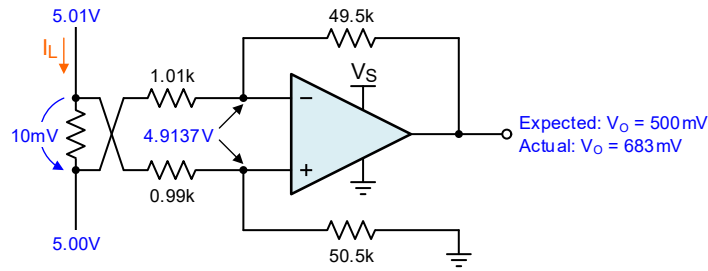


Figure 3. Differential Amplifier Configuration with 1% Tolerance Resistors

One important item of note: The differential amp configuration in Figure 2 requires the use of an amp with a voltage rating on the order of the high rail being sensed. There is much better availability of low offset op amps that operate from a 5V nominal supply rail than amps that operate at higher supply rails. Best in class 5V amps have  $\mu V$ s of offset. Best in class high voltage (30~40V) amps have  $10\mu V$  to  $100\mu V$  offset.

## 2. Improved Current Sense Circuits

The remainder of this application note explores two circuit techniques (Figure 4 and Figure 5), which allow the use of conventional 5V op amps for sensing current on high voltage rails. A simple, low power consumption biasing scheme is used to power the amplifier. In addition, the gain-bandwidth of the overall circuit can be much higher than the gain bandwidth of the amp itself.

This can be a significant advantage in applications where the objective is to sense the current in a switching supply running at hundreds of kHz and be able to retain the high frequency harmonics.

One circuit technique is shown in Figure 4. This example shows the shunt on a 12V rail being measured by the ISL28133 chopper stabilized amplifier. Because of negative feedback, the voltage across the shunt also appears across resistor  $R_9$ , determining the current through  $R_9$ . This same current flows through the drain and source of buffer transistor  $Q_3$  and through  $R_7$ , generating a voltage with respect to ground that is proportional to the high-side current. The total error in amplifying the shunt voltage is the error because of  $R_7$ ,  $R_9$  and the offset voltage. With 0.1% resistors and the  $8\mu V$  offset of the ISL28133, the error in sensing  $10mV$  is  $<0.3\%$ . (0.1% from each resistor,  $8\mu V/10mV = 0.08\%$  error from the offset). This is  $>10x$  better accuracy than the differential amp in Figure 3.

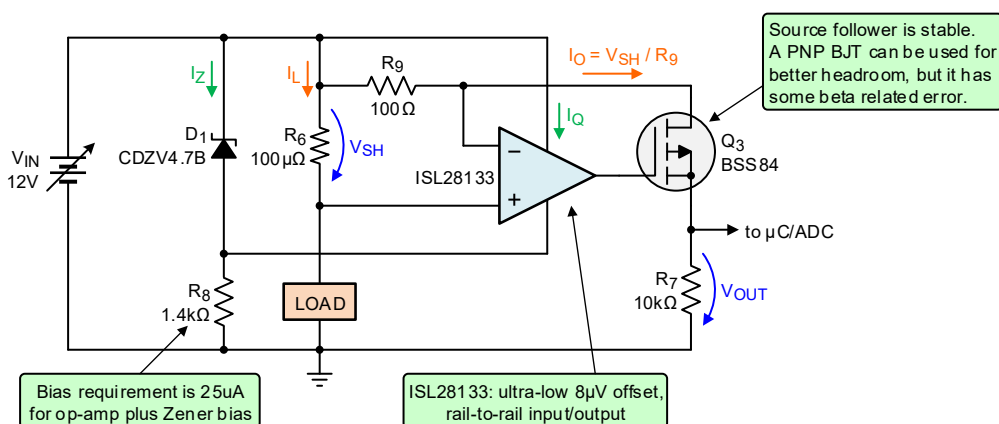


Figure 4. Simple Level Shift Circuit using a Low-Voltage Amplifier

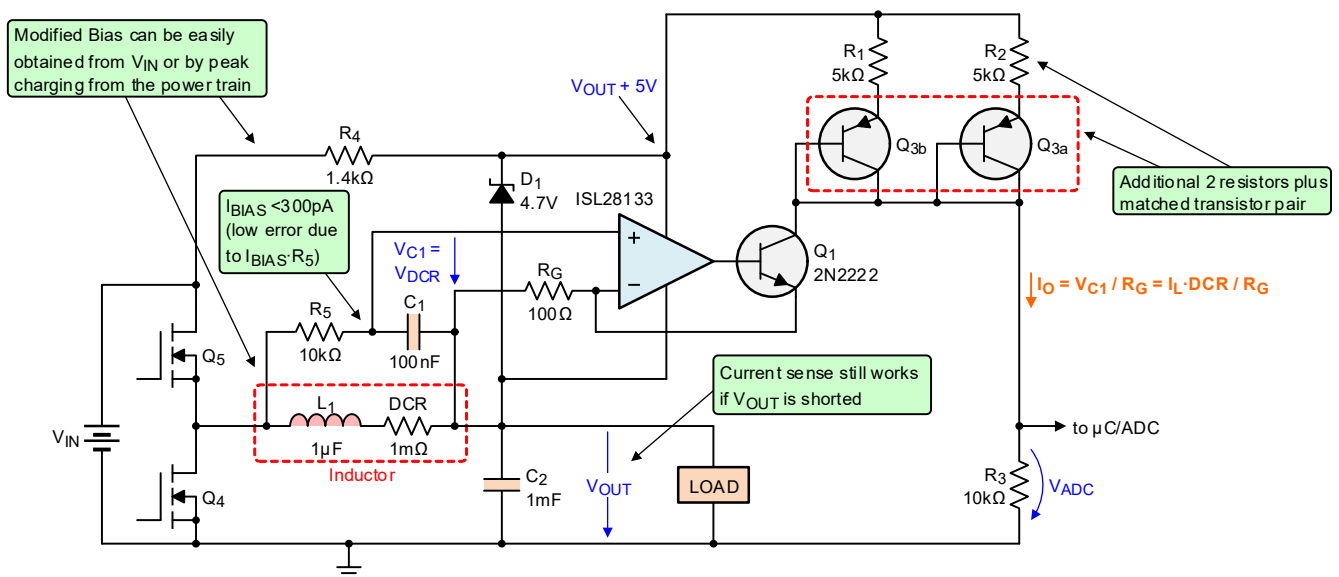
**Note:** This circuit can be biased without much dissipation using resistor  $R_8$  and Zener diode  $D_1$ . Resistor  $R_8$  needs to only provide supply current for the ISL28133 ( $25\mu\text{A}$ ) and  $\sim 5\text{mA}$  to bias the Zener diode.

Even with a 48V high-side rail, the total power to bias the amplifier is only  $\sim 48\text{V} \cdot 1.025\mu\text{A} = 50\text{mW}$ . There will be additional power in  $Q_3$  (this will depend on the level shift current in the drain of  $Q_3$ ) but this can be as low as  $100\mu\text{A}$ , resulting in a power loss of  $5\text{mW}$ .

The circuit in Figure 4 works extremely well, but it has two limitations explained as follows:

- If the load shorts, the current sense circuit no longer functions. Current sensing with the load shorted is required in many applications where  $V_{IN}$  is the output voltage of a switching supply. Many times, this current sense circuit is used as part of the short circuit protection for the switching supply, so it must be functional during a load short.
- It is advantageous in some power applications to use DCR sensing, a well-known technique where a resistor-capacitor combination across an inductor, is used to sense the inductor current. The level shift current would run through this resistor, seriously degrading the accuracy.

Figure 5 shows a modified version of the circuit in Figure 4, which resolves these limitations. This example shows the use of DCR sensing in a switching supply. To use this technique, a 5V bias that rides on top of the output voltage is required. In most switching supplies, this bias is usually easy to obtain from either a higher voltage rail or by peak charging from one of the switching nodes. Other changes from Figure 4 are that the op amp output buffer transistor ( $Q_1$ ) has been changed to an NPN type and, to level shift to ground, a current mirror consisting of matched pair  $Q_{3a}$ - $Q_{3b}$  and  $R_1/R_2$  has been added.



**Figure 5. Modified Sense Configuration using DCR Sensing in a Buck Converter**

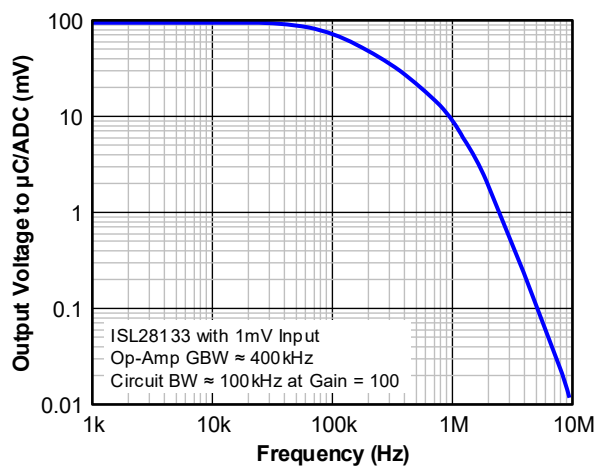
Matched transistor pairs are commercially available in a single package with  $V_{be}$  matching of  $\pm 1\text{mV}$ . Proper sizing of  $R_1/R_2$  can minimize the error because of  $V_{be}$  mismatch. When compared to the circuit in Figure 4, this circuit still has the additional inaccuracy because of resistors  $R_1$ ,  $R_2$ , and the  $V_{be}$  mismatch. The overall error is likely to be 2x higher than the circuit of Figure 4 with components of similar tolerance.

**Note:** This new circuit can also sense a shunt resistor but is shown using DCR sensing. The RC circuit across the inductor is used to sense the current in the inductor and the voltage across  $C_1$  equals the load current times the DCR in steady state. If  $R_5 \times C_1 = L_1/DCR$ , the circuit not only matches  $V_{C1}$  to  $V_{DCR}$  in steady state, but also matches it during transients<sup>[1]</sup>. Because of power dissipation in  $R_5$ , its value cannot be arbitrarily lowered.

Some sensing configurations can draw significant current through  $R_5$ , resulting in significant error. In this configuration, only the bias current of the amp runs through  $R_5$ . In this example, the bias current of the ISL28133 is 300pA. In most cases, this results in negligible error.

Refer to the following notes regarding the circuits in [Figure 4](#) and [Figure 5](#).

- The manner in which the buffer transistor is configured should not destabilize the amp if it is internally compensated to be unity gain stable. The emitter of the buffer transistor follows the output of the amplifier, and this buffering is therefore the equivalent of tying the output back to the inverting input, as in a unity gain configuration.
- The buffer transistor  $Q_1$  does relieve the gain-bandwidth restrictions of the op amp. The configuration in [Figure 5](#) has a gain of  $R_3/R_G = 100$  from  $V_{C1}$  to the output. [Figure 6](#) shows the simulated frequency response of this circuit using the ISL28133. The gain-bandwidth of the amp is 400kHz, yet the overall circuit gain bandwidth is  $100 \times 100\text{kHz} = 10\text{MHz}$ . The buffer transistor improves the bandwidth without destabilizing the op amp.



**Figure 6. Frequency Response of the Circuit in [Figure 5](#) (The Input is 1mV at the Point Labels  $V_{C1} = V_{DCR}$  in [Figure 5](#). The Output is at the Point Labeled to  $\mu\text{C}/\text{ADC}$ )**

1. Current-Sensing Techniques for DC/DC Converters, Hassan Pooya Forghani-zadeh, Gabriel A. Rincón-Mora, Georgia Tech Analog Consortium, School of Electrical and Computer Engineering, Georgia Institute of Technology

- A higher bandwidth amplifier can be used to accurately replicate the current waveform in a switching power supply. The ISL28134 has a GBW (gain-bandwidth) of 3.5MHz and only 2.5 $\mu$ V offset. The ISL28191 has 61MHz GBW with a max offset of 630 $\mu$ V. Figure 7 shows the simulated response of the circuit in Figure 5, using the ISL28191 when a 10mV square wave is imposed across  $V_{C1}$ . The circuit amplifies the signal by 100x and replicates this 500kHz waveform with little loss of the higher frequency harmonics. This can be extremely useful for peak current detection in switching supplies.

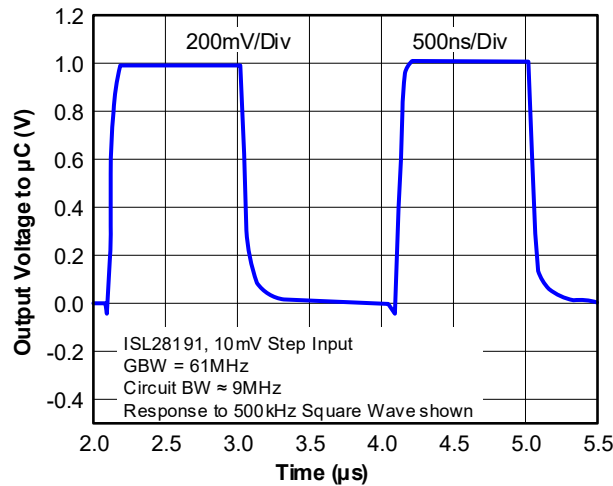


Figure 7. Simulated Response of the Circuit in Figure 5. The ISL28191 is used in Place of the ISL28133

### 3. Summary

This application note has presented two new circuit techniques for measuring high-side current in a power application. Compared with a standard difference amp configuration, the two configurations offer considerably better accuracy as well as significantly higher gain bandwidth product. The implementation only requires the addition of a few low cost components.

### 4. Revision History

Revision	Date	Description
1.00	Feb 7, 2022	Applied New Template. Updated all Figures. Tweaked text throughout to accommodate for figure updates. Added Revision History section.
0.00	May 1, 2013	Initial release

## IMPORTANT NOTICE AND DISCLAIMER

RENESAS ELECTRONICS CORPORATION AND ITS SUBSIDIARIES (“RENESAS”) PROVIDES TECHNICAL SPECIFICATIONS AND RELIABILITY DATA (INCLUDING DATASHEETS), DESIGN RESOURCES (INCLUDING REFERENCE DESIGNS), APPLICATION OR OTHER DESIGN ADVICE, WEB TOOLS, SAFETY INFORMATION, AND OTHER RESOURCES “AS IS” AND WITH ALL FAULTS, AND DISCLAIMS ALL WARRANTIES, EXPRESS OR IMPLIED, INCLUDING, WITHOUT LIMITATION, ANY IMPLIED WARRANTIES OF MERCHANTABILITY, FITNESS FOR A PARTICULAR PURPOSE, OR NON-INFRINGEMENT OF THIRD PARTY INTELLECTUAL PROPERTY RIGHTS.

These resources are intended for developers skilled in the art designing with Renesas products. You are solely responsible for (1) selecting the appropriate products for your application, (2) designing, validating, and testing your application, and (3) ensuring your application meets applicable standards, and any other safety, security, or other requirements. These resources are subject to change without notice. Renesas grants you permission to use these resources only for development of an application that uses Renesas products. Other reproduction or use of these resources is strictly prohibited. No license is granted to any other Renesas intellectual property or to any third party intellectual property. Renesas disclaims responsibility for, and you will fully indemnify Renesas and its representatives against, any claims, damages, costs, losses, or liabilities arising out of your use of these resources. Renesas' products are provided only subject to Renesas' Terms and Conditions of Sale or other applicable terms agreed to in writing. No use of any Renesas resources expands or otherwise alters any applicable warranties or warranty disclaimers for these products.

(Rev.1.0 Mar 2020)

### Corporate Headquarters

TOYOSU FORESIA, 3-2-24 Toyosu,  
Koto-ku, Tokyo 135-0061, Japan  
[www.renesas.com](http://www.renesas.com)

### Contact Information

For further information on a product, technology, the most up-to-date version of a document, or your nearest sales office, please visit:  
[www.renesas.com/contact/](http://www.renesas.com/contact/)

### Trademarks

Renesas and the Renesas logo are trademarks of Renesas Electronics Corporation. All trademarks and registered trademarks are the property of their respective owners.