

When designing or installing the cables for a video transmission system, one assumption commonly made is that the local earth grounds of both ends of the cable are the same. When circumstances don't support this assumption, the video performance can exhibit gross distortions. Therefore, the situations in which ground may have a non-zero potential are presented. In response, basic options for grounding connectivity are reviewed. Finally, a solution is presented that ensures quality video transmission even when any ground potential differences are present.

In a perfect world, a low-impedance ground connection serves as a reference for all electronic signals. This assumption is reasonable for systems with ground planes or even those with short, wired connections. When comparing the earth ground potential between houses in a subdivision, the difference is typically in the microvolt range. Within a building, the measurements are similar. However, in the top floor of a 50-story high-rise, the earth-ground connection has been measured 10V above the first floor.

A separate issue is the use of ground potential as a third terminal in power connections. Many buildings in the United States that predate current electrical codes do not have a local ground connection besides the cold water pipe. The situation in Asia is exacerbated and a multitude of sites lack ground references. With the absence of ground, all signals are floating with respect to a stable reference like earth ground.

Figure 1 illustrates this concept of a ground loop with a simple driver and receiver circuit. Of course, in the ideal situation,  $V_{ED}$  is zero volts and the earth-ground connections (EGND1 and EGND2) both equal zero volts. Since the driver and receiver enjoy a low-impedance connection to earth ground,  $R_1$  and  $R_2$  also equal zero in the ideal case. However, when potential differences exist, a loop of  $V_1 + V_{ED} - V_2$  is formed between the references of the driver and receiver.

Sometimes you can't control all aspects of a system. In buildings with excessive height or age, one side of the transmission set may already exist—and be prohibitively difficult to reach or upgrade. Consider an example where the driver circuitry is isolated and floating with respect to earth ground 1 ( $R_1$  approaches infinity). As referenced earlier,  $V_1$  may be equal to 10V. Let's assume that  $V_{ED}$  is 1V for simplicity. If, out of habit, the receiver is installed with its reference (GND2) tied to earth ground (EGND2), there is a 9V common-mode error between GND1 and GND2. The input circuitry of the receiver is overwhelmed and the system is not operational. Instead, the receiver ground must also be left floating, to match the driver circuitry and avoid large offset errors.

For minimizing DC errors, the driver and receiver ground should be treated the same. Either both are tied to earth ground or both are left floating. Common-mode signals with frequency

are introduced through the antenna capabilities of the wires and the power supply circuitry, and require specific consideration to reduce their effect. Even with the use of differential signals, any difference in the ground reference between the driver and receiver results in a common-mode signal on each line of the received pair. Figure 2 presents a solution for a receiver with common-mode cancellation circuitry. For simplicity, composite video signals are assumed. (This technique works equally well for other transmission systems.)

Proper termination of each must be maintained with transmission lines. The twisted-pair transmission line connected at B+ and B- must be terminated in  $100\Omega$  to a common-mode point to prevent reflections of the differential signal. This is provided by the resistors,  $R_{29}$  and  $R_{30}$ .  $R_{45}$  provides a location for the common-mode voltage. All resistors in the schematic are 1% tolerance to guarantee common-mode rejection within 50mV for 5V common-mode signals on the line.

Equalization for the high frequency components of the differential signal are provided by  $C_7$  and  $C_8$  with  $R_{31}$  and  $R_{32}$ . However, it is crucial that these signals remain free from common-mode noise. Therefore, the outputs are not referenced to the local ground. Instead, they use the reference provided by an op amp circuit.

This reference is a common-mode compensation voltage created by summing the signals of the differential transmission lines. The sum cancels the differential component and doubles the common-mode contribution from each line. This signal is connected to the input of the op amp, an ISL55001.

Since DC signals are already reduced by matching the reference of the driver and receiver as discussed above,  $10\mu\text{F}$  capacitors couple the input and output of the amplifier. Similar size capacitors are used for supply bypass. These values are large enough to compensate 60Hz signals. Larger capacitors (or multiple values in parallel) may be used at the designer's discretion.

The output of the summing amp returns the common-mode voltage on the output side of the receiver network ( $B_{OUT+}$  and  $B_{OUT-}$ ). The  $30k\Omega$  matched pair of resistors ( $R_{33}$  and  $R_{34}$ ) connects the differential signal at  $B_{OUT+}$  and  $B_{OUT-}$  to the common-mode voltage. Basically, the circuit provides a common-mode signal so that the input signals referenced to GND2:

$$\begin{aligned} B+ &= V_{DIFF}/2 + V_{CM} \\ B- &= -V_{DIFF}/2 + V_{CM} \end{aligned} \tag{EQ. 1}$$

Become:

$$\begin{aligned} B_{OUT+} &= V_{DIFF}/2 + V_{CM} - V_{CM\_CREATED} = V_{DIFF}/2 \\ B_{OUT-} &= -V_{DIFF}/2 + V_{CM} - V_{CM\_CREATED} = -V_{DIFF}/2 \end{aligned} \tag{EQ. 2}$$

The quality of this common-mode removal is demonstrated in Figures 3 and 4. Figure 3 shows a 1V peak sine wave (in yellow) on B- to represent the differential signal. In this example, both nodes B+ and B- share a 2V peak common-mode signal (in pink).

Figure 4 shows the success of the circuit in Figure 2. The differential signal (in yellow) has not changed. The common-mode signal (in pink) is measured at B<sub>OUT-</sub>, displaying the successful reduction of the common-mode signal by a factor of

20. Complete removal is limited by delay mismatch in the passive network and the accuracy of the resistor values.

With the techniques discussed, ground loops are overcome and common-mode signals are removed to restore video transmission in long-distance or old-building applications. Simply put, the ground references of the driver and receiver must be identical. Secondly, the addition of common-mode cancellation circuitry preserves the quality of differential component video and ensures that the common-mode input range of the receiver is not exceeded.

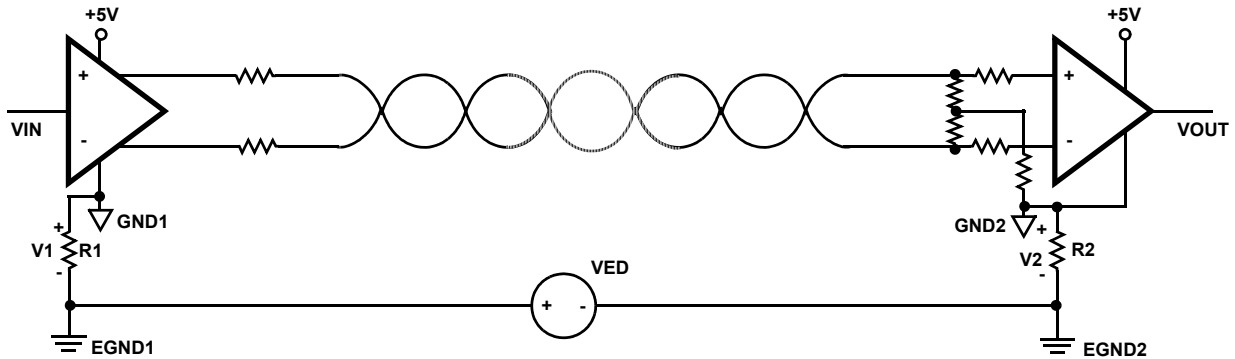


FIGURE 1. GROUND LOOP IN DIFFERENTIAL VIDEO TRANSMISSION SYSTEM

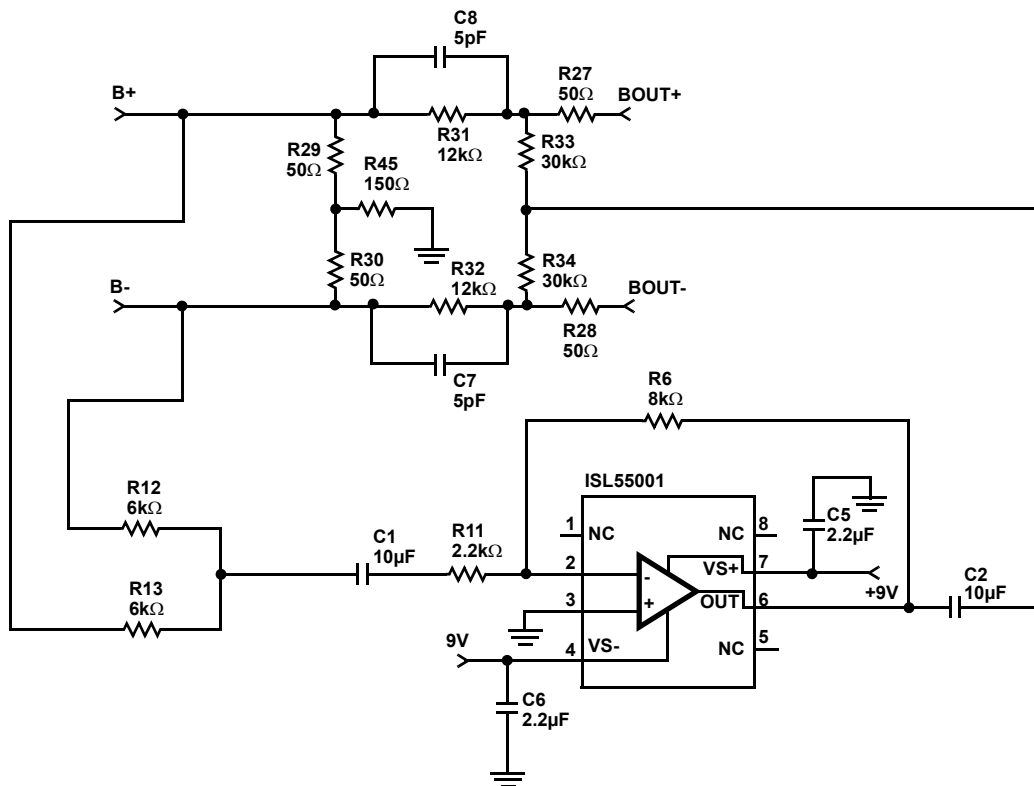


FIGURE 2. COMMON-MODE NOISE CANCELLATION CIRCUIT

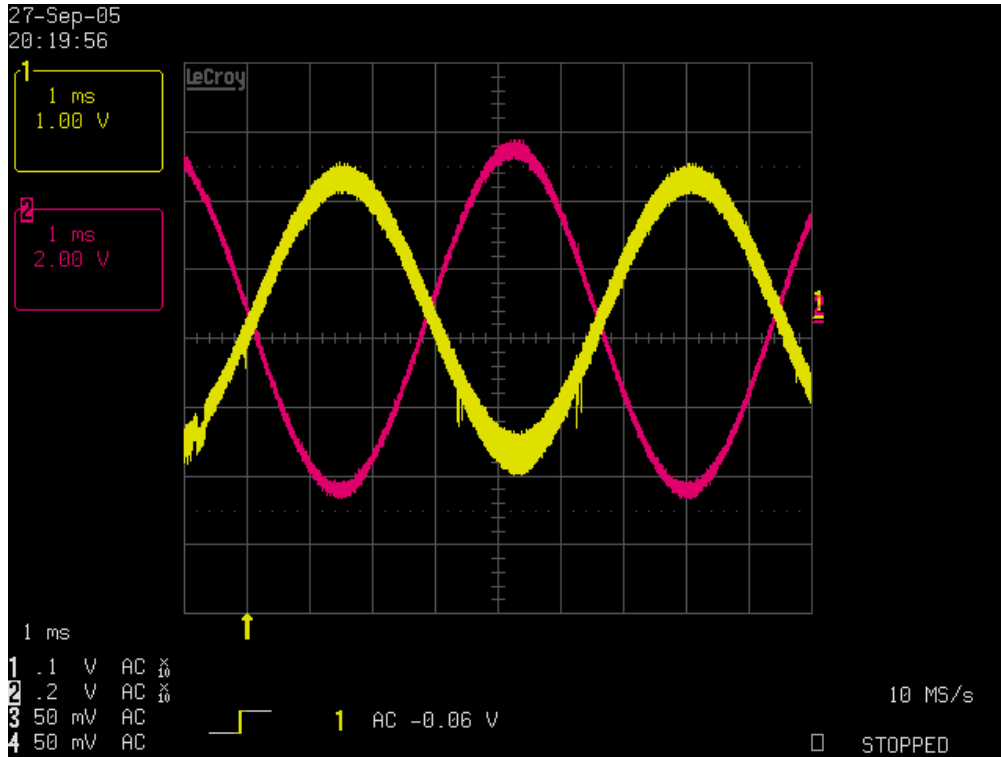


FIGURE 3. COMMON-MODE SIGNAL ON INPUT (YELLOW) AND FEEDBACK (PINK) LINES

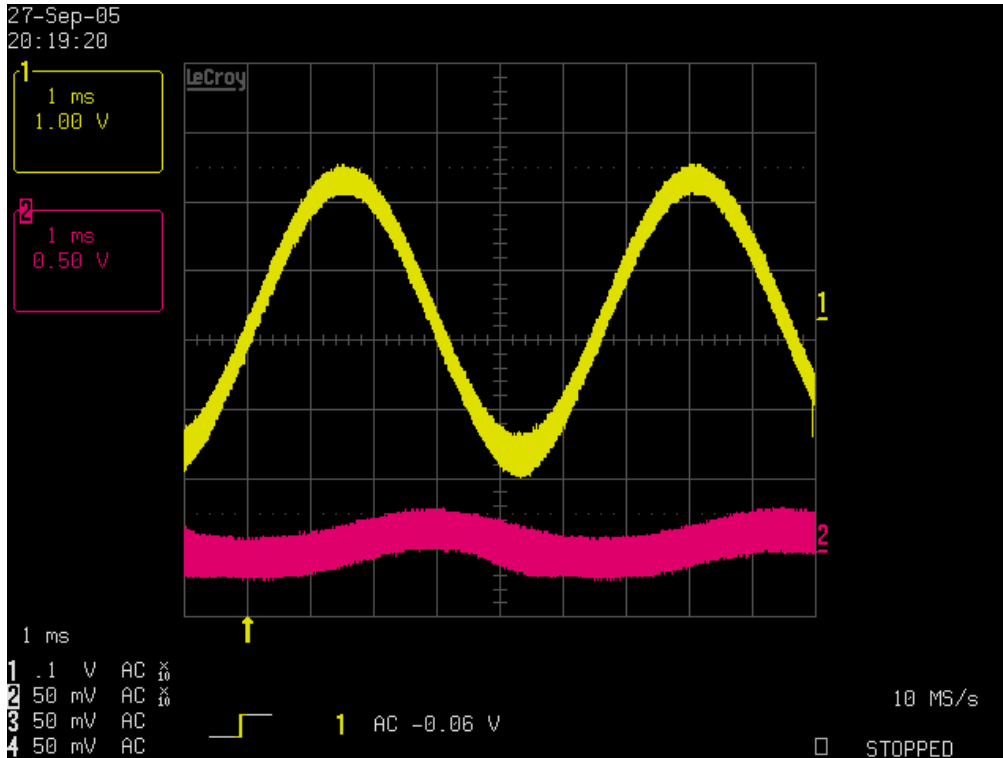


FIGURE 4. COMMON-MODE SIGNAL IMPROVEMENT FROM INPUT (YELLOW) AND OUTPUT (PINK)

## Notice

1. Descriptions of circuits, software and other related information in this document are provided only to illustrate the operation of semiconductor products and application examples. You are fully responsible for the incorporation or any other use of the circuits, software, and information in the design of your product or system. Renesas Electronics disclaims any and all liability for any losses and damages incurred by you or third parties arising from the use of these circuits, software, or information.
2. Renesas Electronics hereby expressly disclaims any warranties against and liability for infringement or any other claims involving patents, copyrights, or other intellectual property rights of third parties, by or arising from the use of Renesas Electronics products or technical information described in this document, including but not limited to, the product data, drawings, charts, programs, algorithms, and application examples.
3. No license, express, implied or otherwise, is granted hereby under any patents, copyrights or other intellectual property rights of Renesas Electronics or others.
4. You shall not alter, modify, copy, or reverse engineer any Renesas Electronics product, whether in whole or in part. Renesas Electronics disclaims any and all liability for any losses or damages incurred by you or third parties arising from such alteration, modification, copying or reverse engineering.
5. Renesas Electronics products are classified according to the following two quality grades: "Standard" and "High Quality". The intended applications for each Renesas Electronics product depends on the product's quality grade, as indicated below.  
"Standard": Computers; office equipment; communications equipment; test and measurement equipment; audio and visual equipment; home electronic appliances; machine tools; personal electronic equipment; industrial robots; etc.  
"High Quality": Transportation equipment (automobiles, trains, ships, etc.); traffic control (traffic lights); large-scale communication equipment; key financial terminal systems; safety control equipment; etc.  
Unless expressly designated as a high reliability product or a product for harsh environments in a Renesas Electronics data sheet or other Renesas Electronics document, Renesas Electronics products are not intended or authorized for use in products or systems that may pose a direct threat to human life or bodily injury (artificial life support devices or systems; surgical implantations; etc.), or may cause serious property damage (space system; undersea repeaters; nuclear power control systems; aircraft control systems; key plant systems; military equipment; etc.). Renesas Electronics disclaims any and all liability for any damages or losses incurred by you or any third parties arising from the use of any Renesas Electronics product that is inconsistent with any Renesas Electronics data sheet, user's manual or other Renesas Electronics document.
6. When using Renesas Electronics products, refer to the latest product information (data sheets, user's manuals, application notes, "General Notes for Handling and Using Semiconductor Devices" in the reliability handbook, etc.), and ensure that usage conditions are within the ranges specified by Renesas Electronics with respect to maximum ratings, operating power supply voltage range, heat dissipation characteristics, installation, etc. Renesas Electronics disclaims any and all liability for any malfunctions, failure or accident arising out of the use of Renesas Electronics products outside of such specified ranges.
7. Although Renesas Electronics endeavors to improve the quality and reliability of Renesas Electronics products, semiconductor products have specific characteristics, such as the occurrence of failure at a certain rate and malfunctions under certain use conditions. Unless designated as a high reliability product or a product for harsh environments in a Renesas Electronics data sheet or other Renesas Electronics document, Renesas Electronics products are not subject to radiation resistance design. You are responsible for implementing safety measures to guard against the possibility of bodily injury, injury or damage caused by fire, and/or danger to the public in the event of a failure or malfunction of Renesas Electronics products, such as safety design for hardware and software, including but not limited to redundancy, fire control and malfunction prevention, appropriate treatment for aging degradation or any other appropriate measures. Because the evaluation of microcomputer software alone is very difficult and impractical, you are responsible for evaluating the safety of the final products or systems manufactured by you.
8. Please contact a Renesas Electronics sales office for details as to environmental matters such as the environmental compatibility of each Renesas Electronics product. You are responsible for carefully and sufficiently investigating applicable laws and regulations that regulate the inclusion or use of controlled substances, including without limitation, the EU RoHS Directive, and using Renesas Electronics products in compliance with all these applicable laws and regulations. Renesas Electronics disclaims any and all liability for damages or losses occurring as a result of your noncompliance with applicable laws and regulations.
9. Renesas Electronics products and technologies shall not be used for or incorporated into any products or systems whose manufacture, use, or sale is prohibited under any applicable domestic or foreign laws or regulations. You shall comply with any applicable export control laws and regulations promulgated and administered by the governments of any countries asserting jurisdiction over the parties or transactions.
10. It is the responsibility of the buyer or distributor of Renesas Electronics products, or any other party who distributes, disposes of, or otherwise sells or transfers the product to a third party, to notify such third party in advance of the contents and conditions set forth in this document.
11. This document shall not be reprinted, reproduced or duplicated in any form, in whole or in part, without prior written consent of Renesas Electronics.
12. Please contact a Renesas Electronics sales office if you have any questions regarding the information contained in this document or Renesas Electronics products.  
(Note 1) "Renesas Electronics" as used in this document means Renesas Electronics Corporation and also includes its directly or indirectly controlled subsidiaries.  
(Note 2) "Renesas Electronics product(s)" means any product developed or manufactured by or for Renesas Electronics.

(Rev.4.0-1 November 2017)



### SALES OFFICES

Renesas Electronics Corporation

<http://www.renesas.com>

Refer to "<http://www.renesas.com/>" for the latest and detailed information.

**Renesas Electronics America Inc.**  
1001 Murphy Ranch Road, Milpitas, CA 95035, U.S.A.  
Tel: +1-408-432-8888, Fax: +1-408-434-5351

**Renesas Electronics Canada Limited**  
9251 Yonge Street, Suite 8309 Richmond Hill, Ontario Canada L4C 9T3  
Tel: +1-905-237-2004

**Renesas Electronics Europe Limited**  
Dukes Meadow, Millboard Road, Bourne End, Buckinghamshire, SL8 5FH, U.K  
Tel: +44-1628-651-700, Fax: +44-1628-651-804

**Renesas Electronics Europe GmbH**  
Arcadiastrasse 10, 40472 Düsseldorf, Germany  
Tel: +49-211-6503-0, Fax: +49-211-6503-1327

**Renesas Electronics (China) Co., Ltd.**  
Room 1709 Quantum Plaza, No.27 ZhichunLu, Haidian District, Beijing, 100191 P. R. China  
Tel: +86-10-8235-1155, Fax: +86-10-8235-7679

**Renesas Electronics (Shanghai) Co., Ltd.**  
Unit 301, Tower A, Central Towers, 555 Langao Road, Putuo District, Shanghai, 200333 P. R. China  
Tel: +86-21-2226-0888, Fax: +86-21-2226-0999

**Renesas Electronics Hong Kong Limited**  
Unit 1601-1611, 16/F., Tower 2, Grand Century Place, 193 Prince Edward Road West, Mongkok, Kowloon, Hong Kong  
Tel: +852-2265-6688, Fax: +852-2886-9022

**Renesas Electronics Taiwan Co., Ltd.**  
13F, No. 363, Fu Shing North Road, Taipei 10543, Taiwan  
Tel: +886-2-8175-9600, Fax: +886-2-8175-9670

**Renesas Electronics Singapore Pte. Ltd.**  
80 Bendemeer Road, Unit #06-02 Hyflux Innovation Centre, Singapore 339949  
Tel: +65-6213-0200, Fax: +65-6213-0300

**Renesas Electronics Malaysia Sdn.Bhd.**  
Unit 1207, Block B, Menara Amcorp, Amcorp Trade Centre, No. 18, Jln Persiaran Barat, 46050 Petaling Jaya, Selangor Darul Ehsan, Malaysia  
Tel: +60-3-7955-9390, Fax: +60-3-7955-9510

**Renesas Electronics India Pvt. Ltd.**  
No.777C, 100 Feet Road, HAL 2nd Stage, Indiranagar, Bangalore 560 038, India  
Tel: +91-80-67208700, Fax: +91-80-67208777

**Renesas Electronics Korea Co., Ltd.**  
17F, KAMCO Yangjae Tower, 262, Gangnam-daero, Gangnam-gu, Seoul, 06265 Korea  
Tel: +82-2-558-3737, Fax: +82-2-558-5338