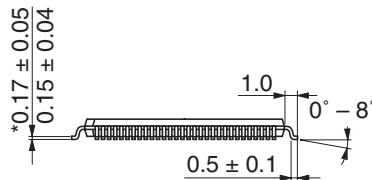
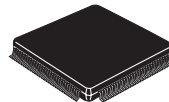
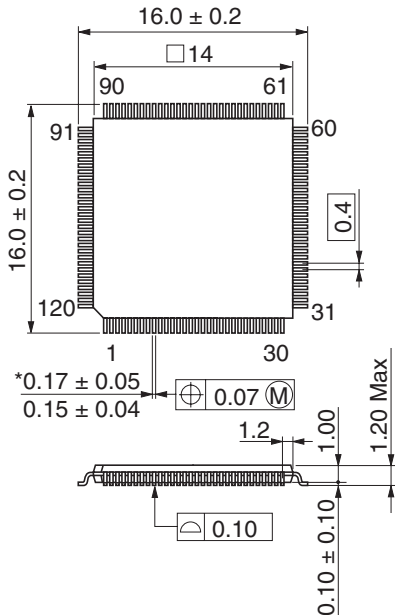


As of January, 2003

Unit: mm



\*Dimension including the plating thickness  
Base material dimension

Package Code	TFP-120
JEDEC	—
JEITA	Conforms
Mass (reference value)	0.5 g