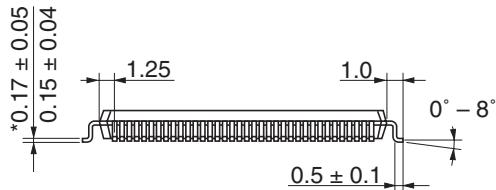
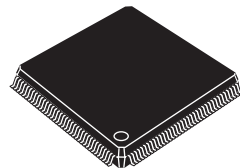
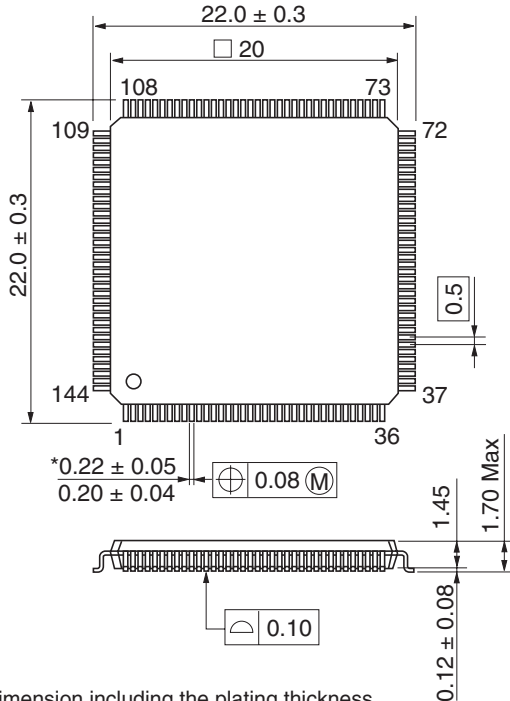


As of January, 2003

Unit: mm



Package Code	FP-144H
JEDEC	—
JEITA	Conforms
Mass (reference value)	1.4 g

\*Dimension including the plating thickness  
Base material dimension