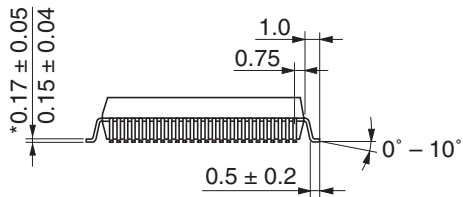
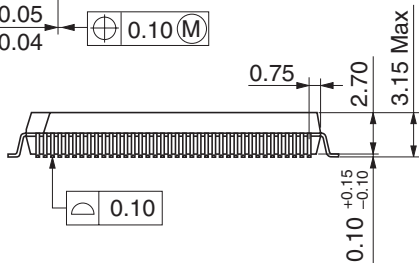
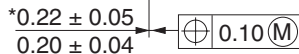
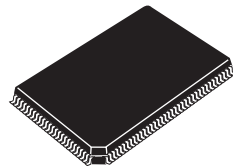
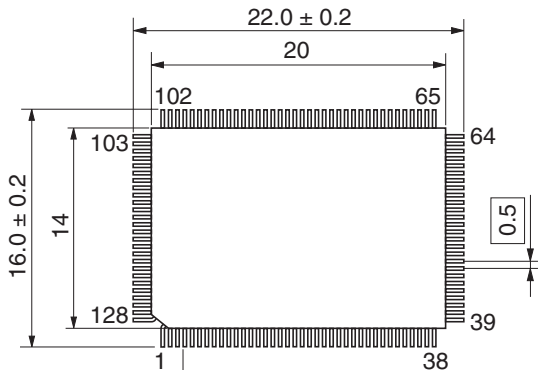


As of January, 2003

Unit: mm



Package Code	FP-128
JEDEC	—
JEITA	—
Mass (reference value)	1.7 g

\*Dimension including the plating thickness  
 Base material dimension