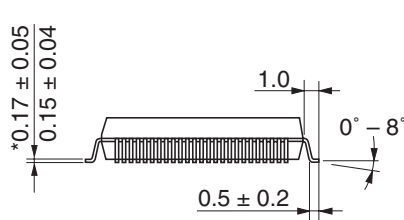
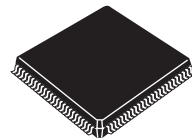
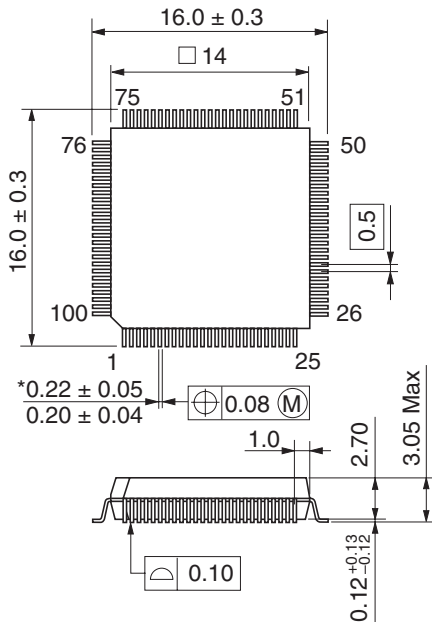


As of January, 2003

Unit: mm



Package Code	FP-100B
JEDEC	—
JEITA	Conforms
Mass (reference value)	1.2 g

*Dimension including the plating thickness
Base material dimension